



US00D666441S

(12) **United States Design Patent**
Kinsky et al.

(10) **Patent No.:** **US D666,441 S**
(45) **Date of Patent:** **** Sep. 4, 2012**

- (54) **HANGING STORAGE PANEL**
- (75) Inventors: **Terrence P. Kinsky**, Alpharetta, GA (US); **Matthew G. Williams**, Lighthouse Point, FL (US)
- (73) Assignee: **LF Centennial Limited**, Tortola (VG)
- (**) Term: **14 Years**
- (21) Appl. No.: **29/409,513**
- (22) Filed: **Dec. 23, 2011**

D306,520 S *	3/1990	McCarthy	D6/513
D313,524 S *	1/1991	Barnes	D6/553
D320,131 S *	9/1991	Pereyra et al.	D6/513
D332,697 S *	1/1993	Schildkraut	D6/315
D364,520 S *	11/1995	Matthews	D6/514
D369,261 S *	4/1996	Brink	D6/514
D543,760 S *	6/2007	Utzing, III	D6/553
D547,989 S *	8/2007	Nelson	D6/553
D619,834 S *	7/2010	Koller et al.	D6/514
D625,129 S *	10/2010	Zack et al.	D6/553

* cited by examiner

Primary Examiner — Brian N Vinson

(74) *Attorney, Agent, or Firm* — Duane Morris LLP; J. Rodman Steele, Jr.; Gregory M. Lefkowitz

Related U.S. Application Data

- (63) Continuation-in-part of application No. 29/409,417, filed on Dec. 22, 2011.
- (51) **LOC (9) Cl.** **06-06**
- (52) **U.S. Cl.** **D6/514**
- (58) **Field of Classification Search** D6/512–514, D6/524–525, 552–553, 567–570, 315, 317–320, D6/323, 326; D3/201, 203.1, 205, 903; 206/730, 206/214, 575, 579, 581, 38, 6.1, 278–279, 206/288–289; 211/13.1, 10, 85.2, 85.3, 85.7, 211/35, 41.12, 70.6, 86.01, 87.01; 248/300, 248/304, 309.1, 317; 383/23, 40, 121
See application file for complete search history.

(57) **CLAIM**

The ornamental design for a hanging storage panel, as shown and described.

DESCRIPTION

FIG. 1 is a bottom, front, and left side perspective view of a hanging storage panel showing our new design;
 FIG. 2 is a top, front, and right side perspective view thereof;
 FIG. 3 is a bottom, rear, and right side perspective view thereof;
 FIG. 4 is a front elevational view thereof;
 FIG. 5 is a rear elevational view thereof;
 FIG. 6 is a right side elevational view thereof;
 FIG. 7 is a left side elevational view thereof;
 FIG. 8 is a top plan view thereof; and,
 FIG. 9 is a bottom plan view thereof.

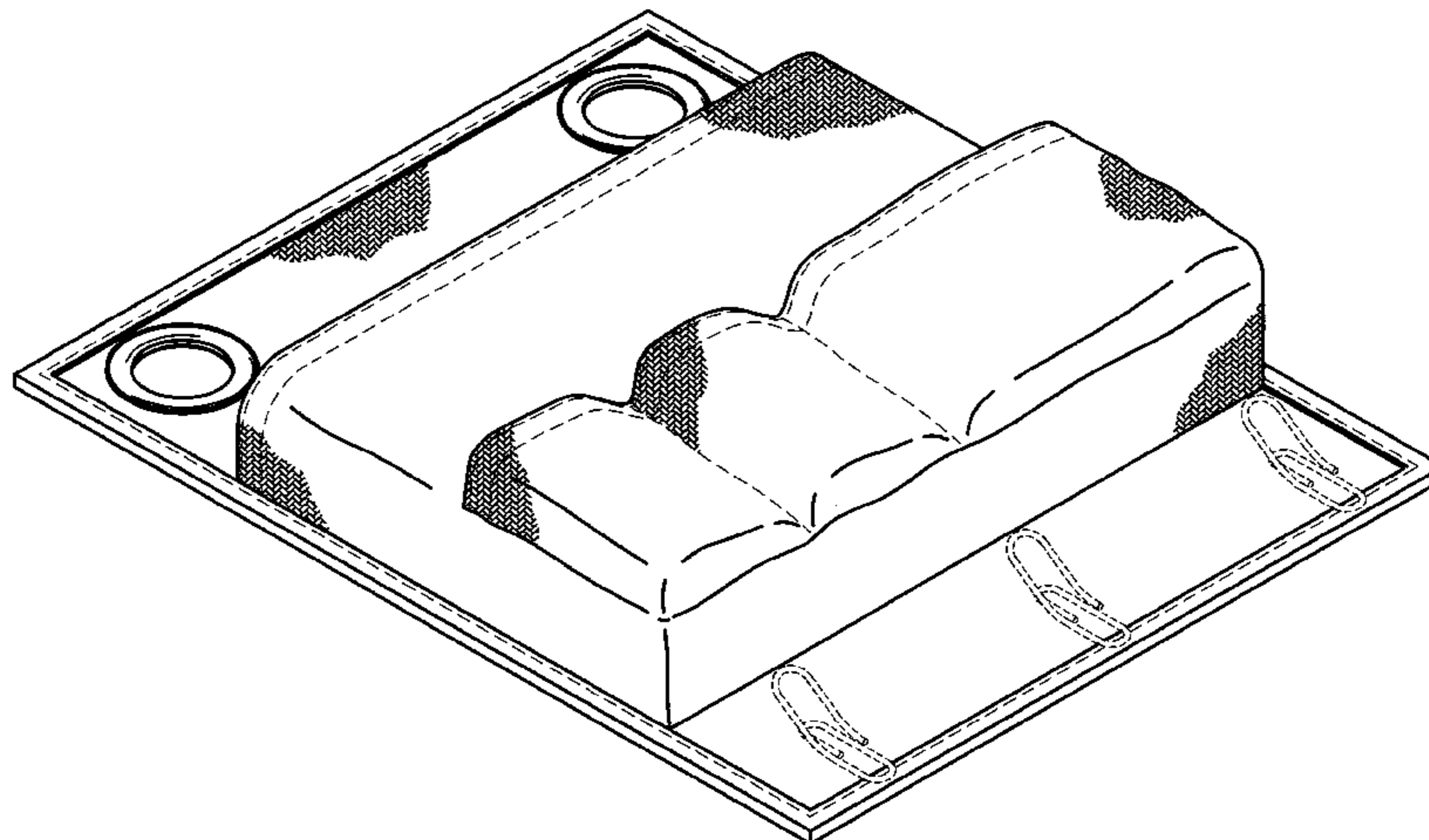
The broken-line disclosure of the paperclips is intended to represent environmental elements which form no part of the claimed design, while the remaining broken-lines are intended to represent conventional stitching on the article.

1 Claim, 7 Drawing Sheets

(56) **References Cited**

U.S. PATENT DOCUMENTS

D154,993 S *	8/1949	Crothers	D6/553
2,710,638 A *	6/1955	Ford	383/23
D246,340 S *	11/1977	Frank	D6/552
D247,535 S *	3/1978	Frank	D6/552
4,296,876 A *	10/1981	Lefebvre	D6/513
4,401,219 A *	8/1983	Mink	D6/318
D300,399 S *	3/1989	Krugman	D6/553



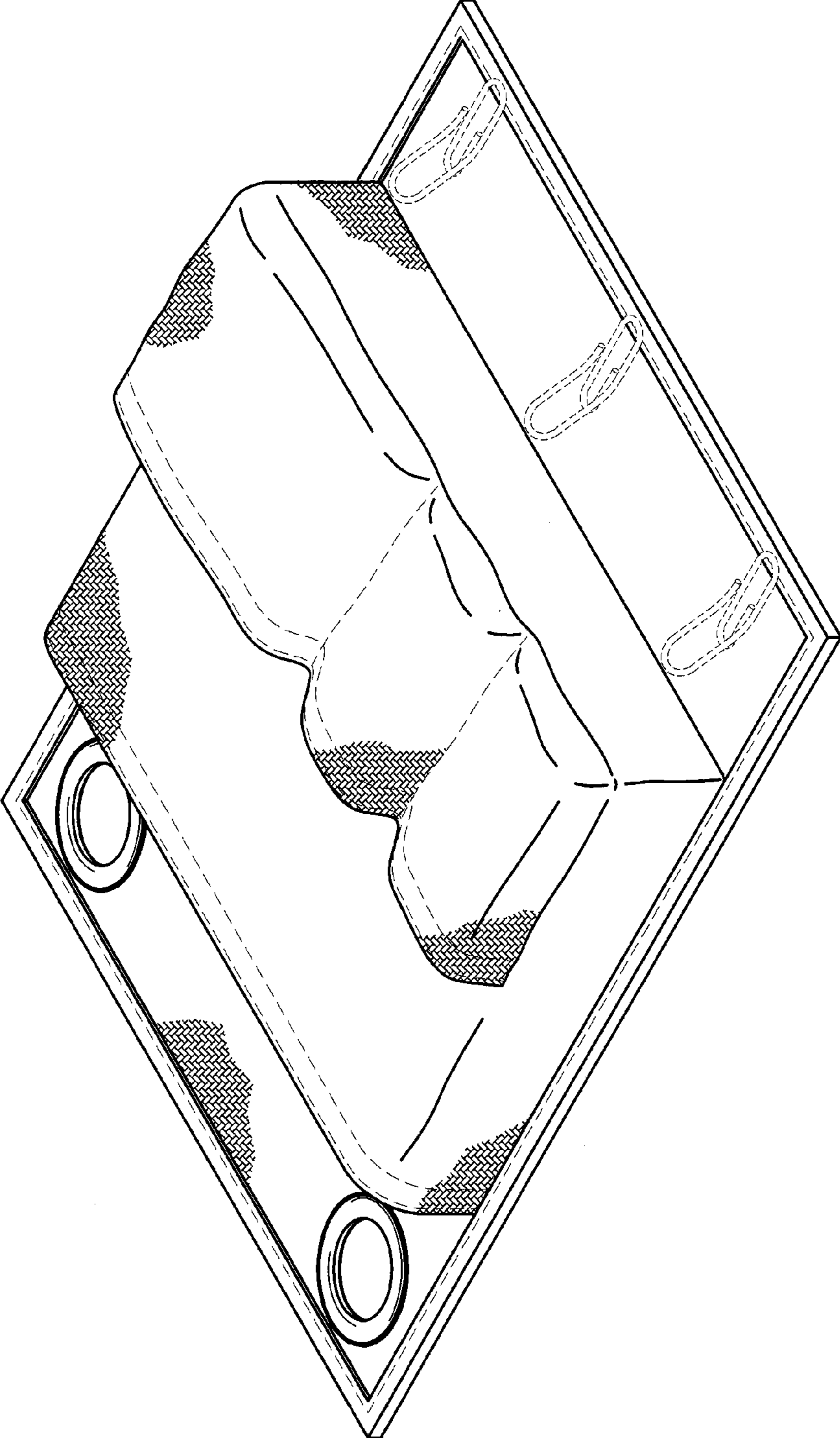


FIG. 1

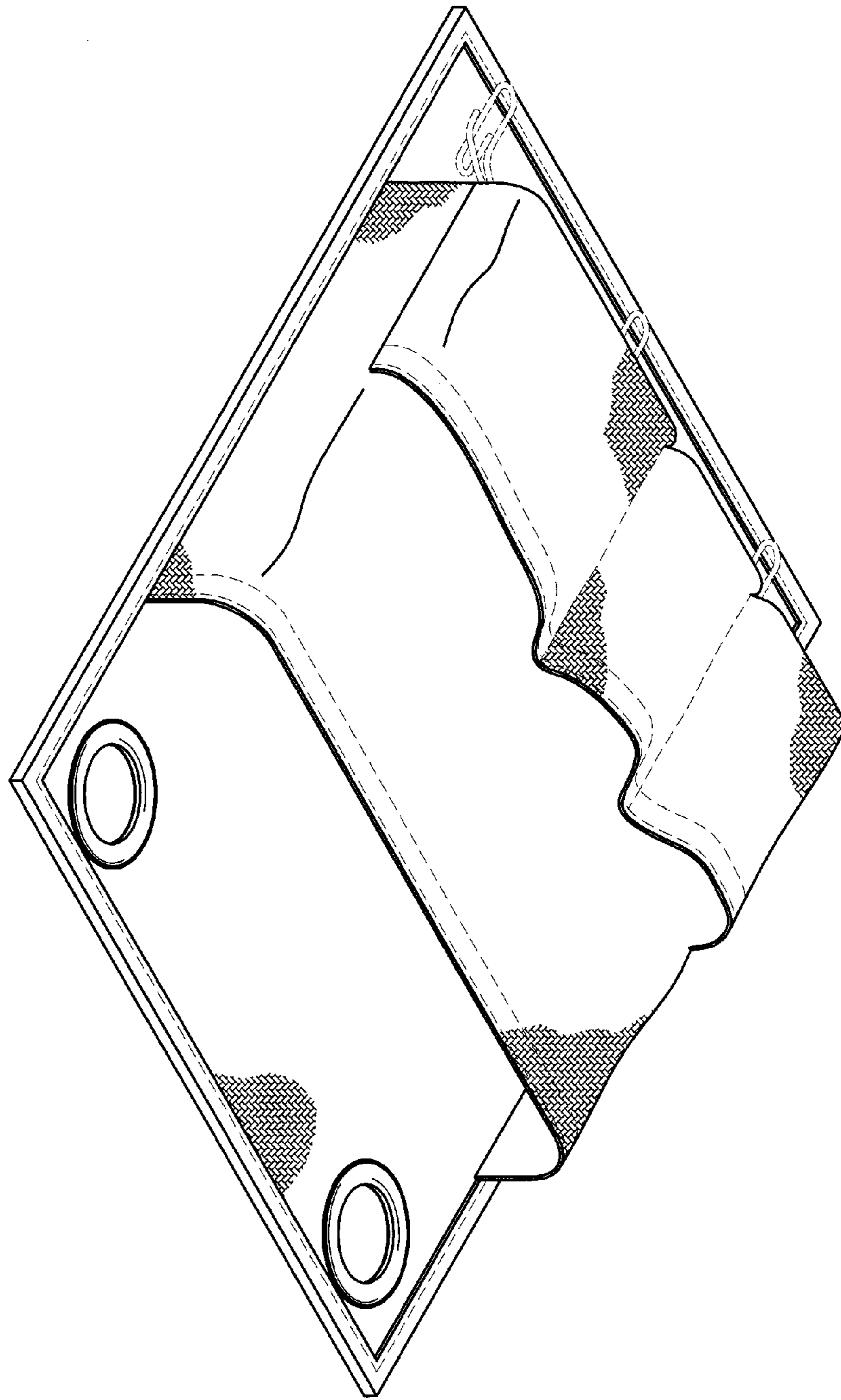


FIG. 2

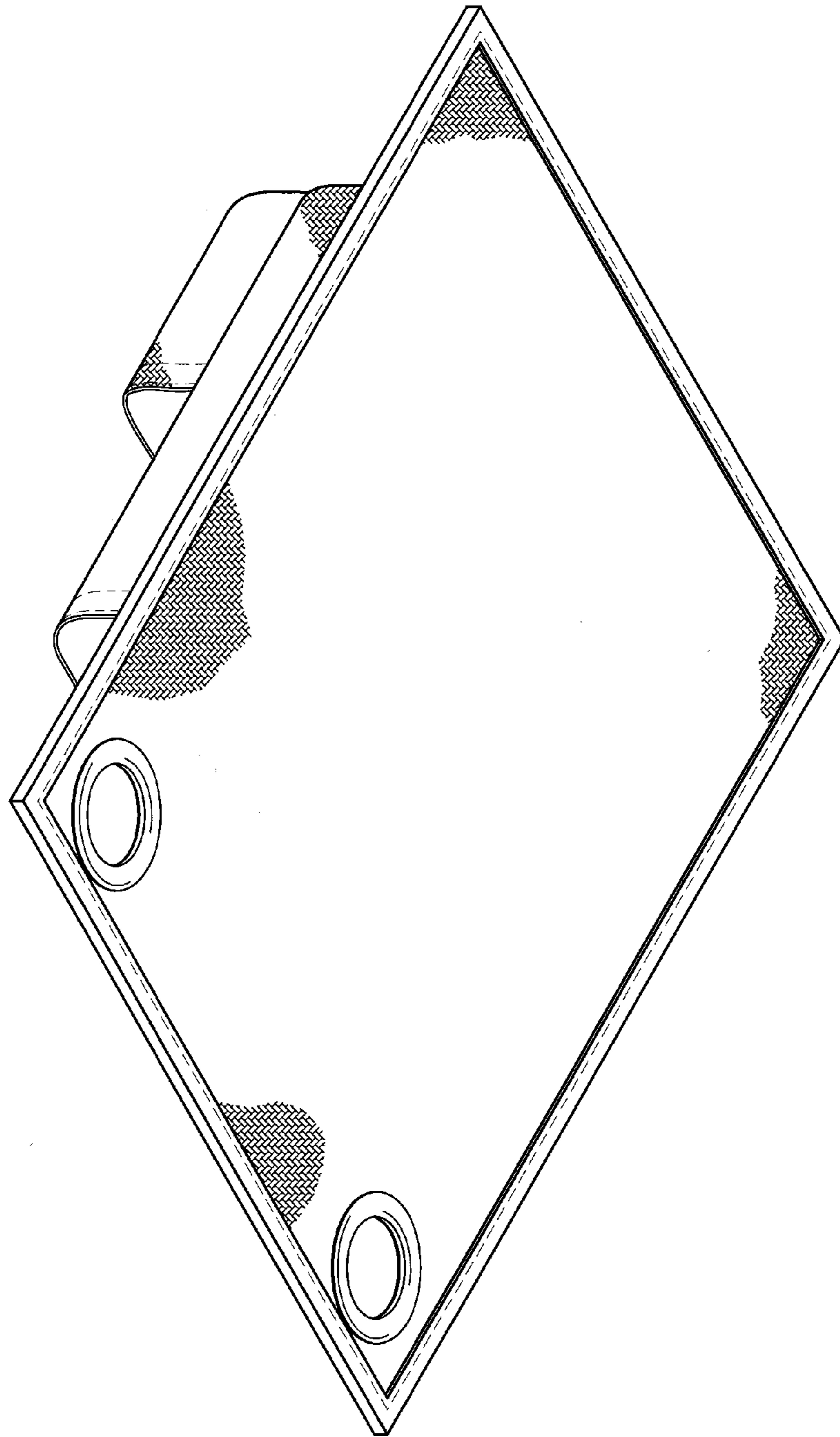


FIG. 3

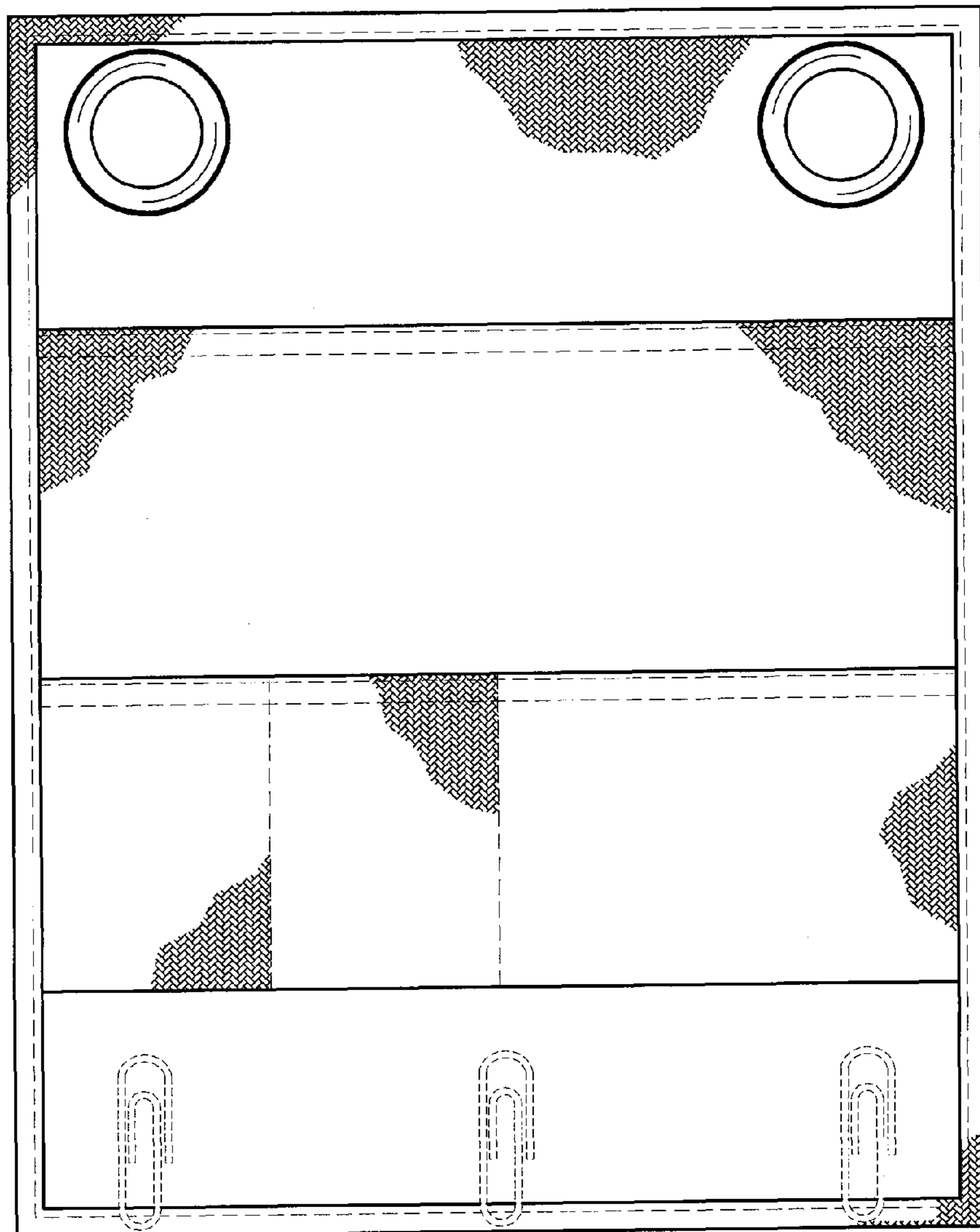


FIG. 4

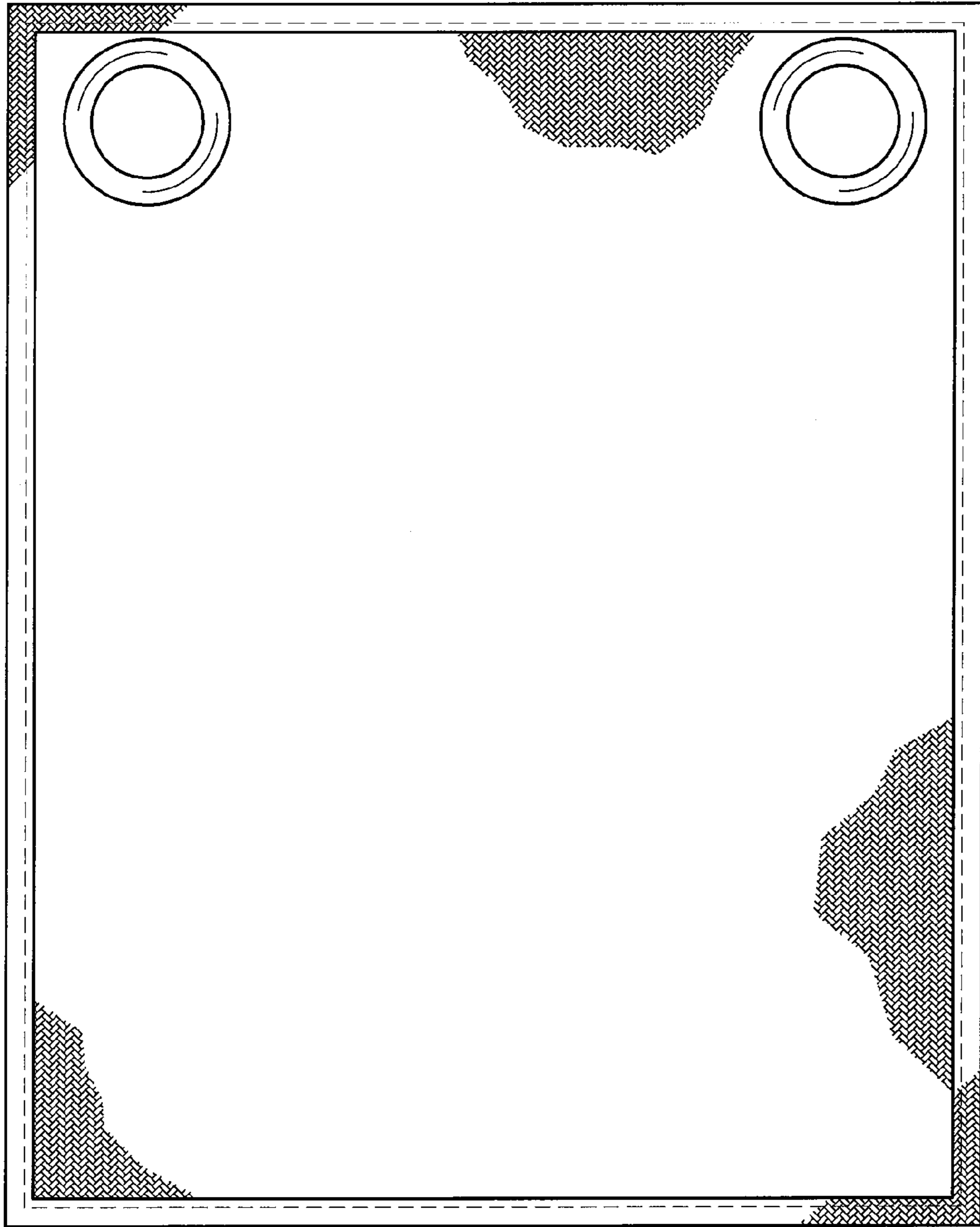


FIG. 5

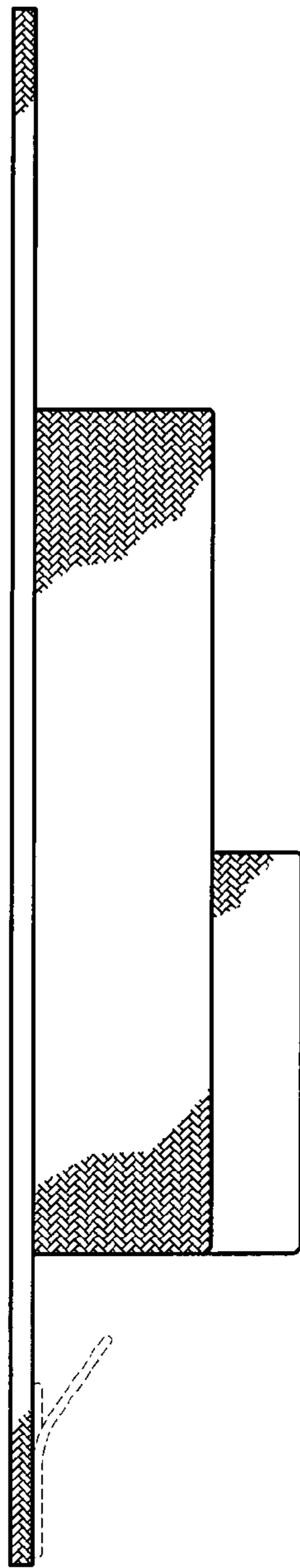


FIG. 6

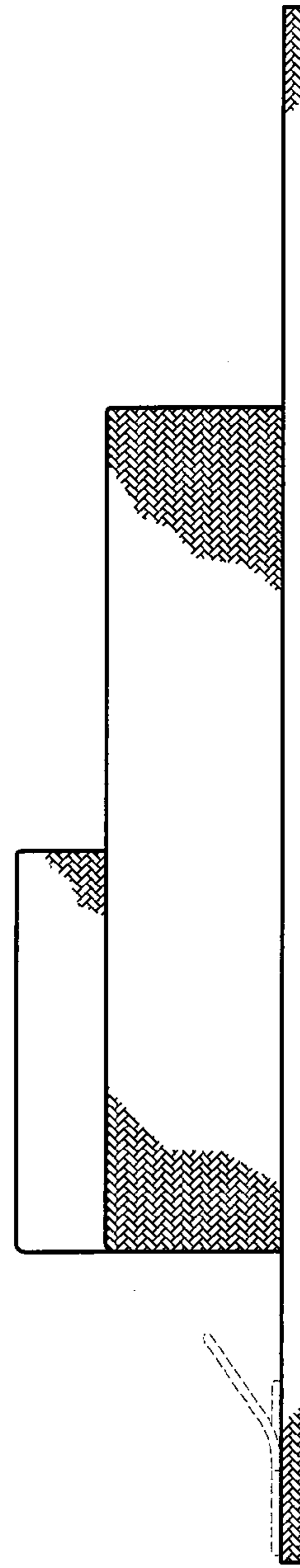


FIG. 7

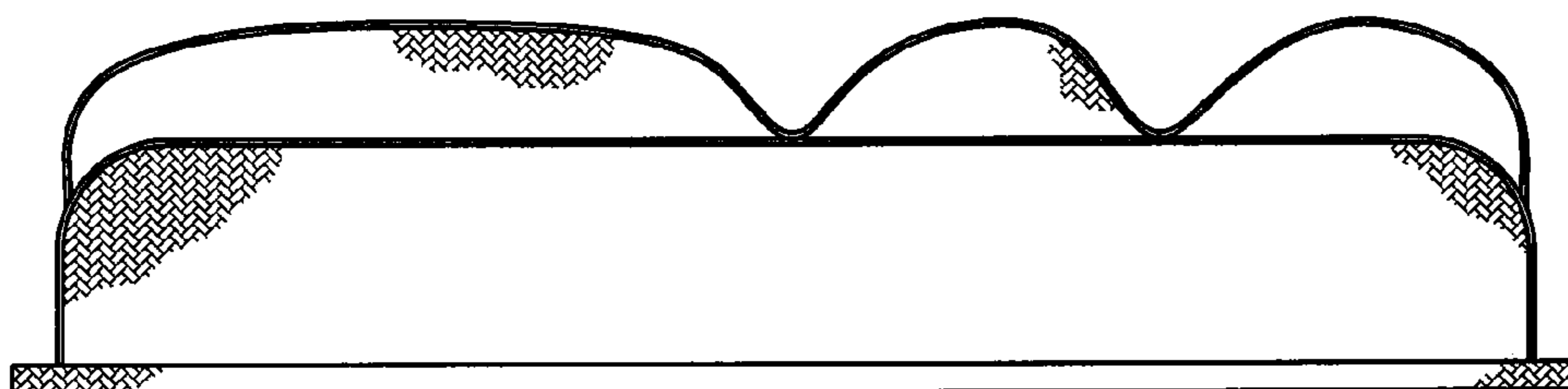


FIG. 8

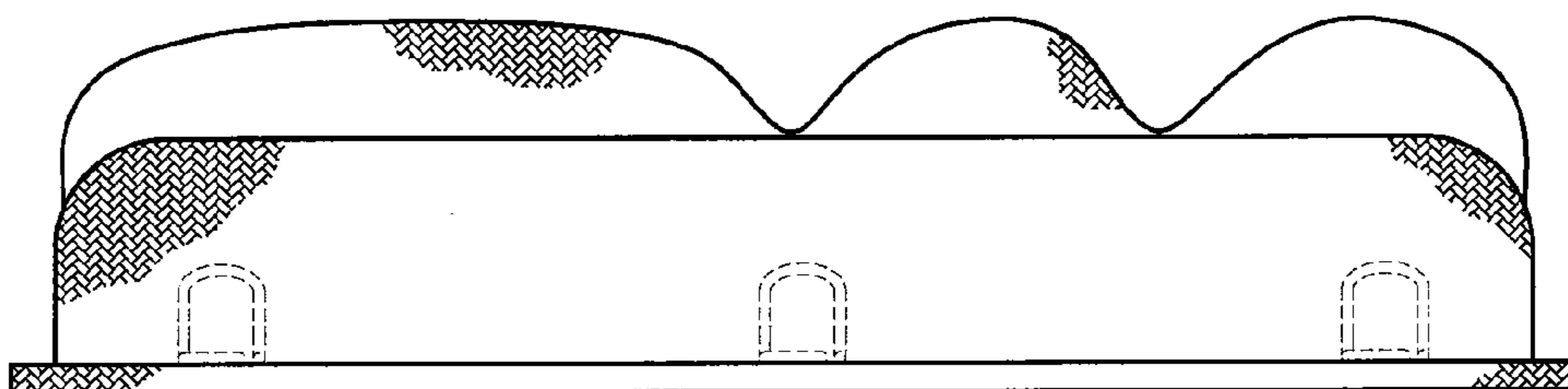


FIG. 9