

US00D666439S

(12) **United States Design Patent**
Kinsky et al.

(10) **Patent No.:** **US D666,439 S**
(45) **Date of Patent:** **** Sep. 4, 2012**

(54) **HANGING STORAGE PANEL**

(75) Inventors: **Terrence P. Kinsky**, Alpharetta, GA
(US); **Matthew G. Williams**, Lighthouse
Point, FL (US)

(73) Assignee: **LF Centennial Limited**, Tortola (VG)

(**) Term: **14 Years**

(21) Appl. No.: **29/409,510**

(22) Filed: **Dec. 23, 2011**

Related U.S. Application Data

(63) Continuation-in-part of application No. 29/409,421,
filed on Dec. 22, 2011.

(51) **LOC (9) Cl.** **06-06**

(52) **U.S. Cl.** **D6/514**

(58) **Field of Classification Search** D6/512-514,
D6/524-525, 552-553, 567-570, 315, 317-320,
D6/323, 326; D3/201, 203.1, 205, 903; 206/730,
206/214, 575, 579, 581, 38, 6.1, 278-279,
206/288-289; 211/13.1, 10, 85.2, 85.3, 85.7,
211/35, 41.12, 70.6, 86.01, 87.01; 248/300,
248/304, 309.1, 317; 383/23, 40, 121
See application file for complete search history.

(56) **References Cited**

U.S. PATENT DOCUMENTS

D154,993	S	*	8/1949	Crothers	D6/553
2,710,638	A	*	6/1955	Ford	383/23
D246,340	S	*	11/1977	Frank	D6/552
D247,535	S	*	3/1978	Frank	D6/552
4,296,876	A	*	10/1981	Lefebvre	D6/513
4,401,219	A	*	8/1983	Mink	D6/318
D300,399	S	*	3/1989	Krugman	D6/553

D306,520	S	*	3/1990	McCarthy	D6/513
D313,524	S	*	1/1991	Barnes	D6/553
D320,131	S	*	9/1991	Pereyra et al.	D6/513
D332,697	S	*	1/1993	Schildkraut	D6/315
D364,520	S	*	11/1995	Matthews	D6/514
D369,261	S	*	4/1996	Brink	D6/514
D543,760	S	*	6/2007	Utzing, III	D6/553
D547,989	S	*	8/2007	Nelson	D6/553
D619,834	S	*	7/2010	Koller et al.	D6/514
D625,129	S	*	10/2010	Zack et al.	D6/553

* cited by examiner

Primary Examiner — Brian N Vinson

(74) *Attorney, Agent, or Firm* — Duane Morris LLP; J.
Rodman Steele, Jr.; Gregory M. Lefkowitz

(57) **CLAIM**

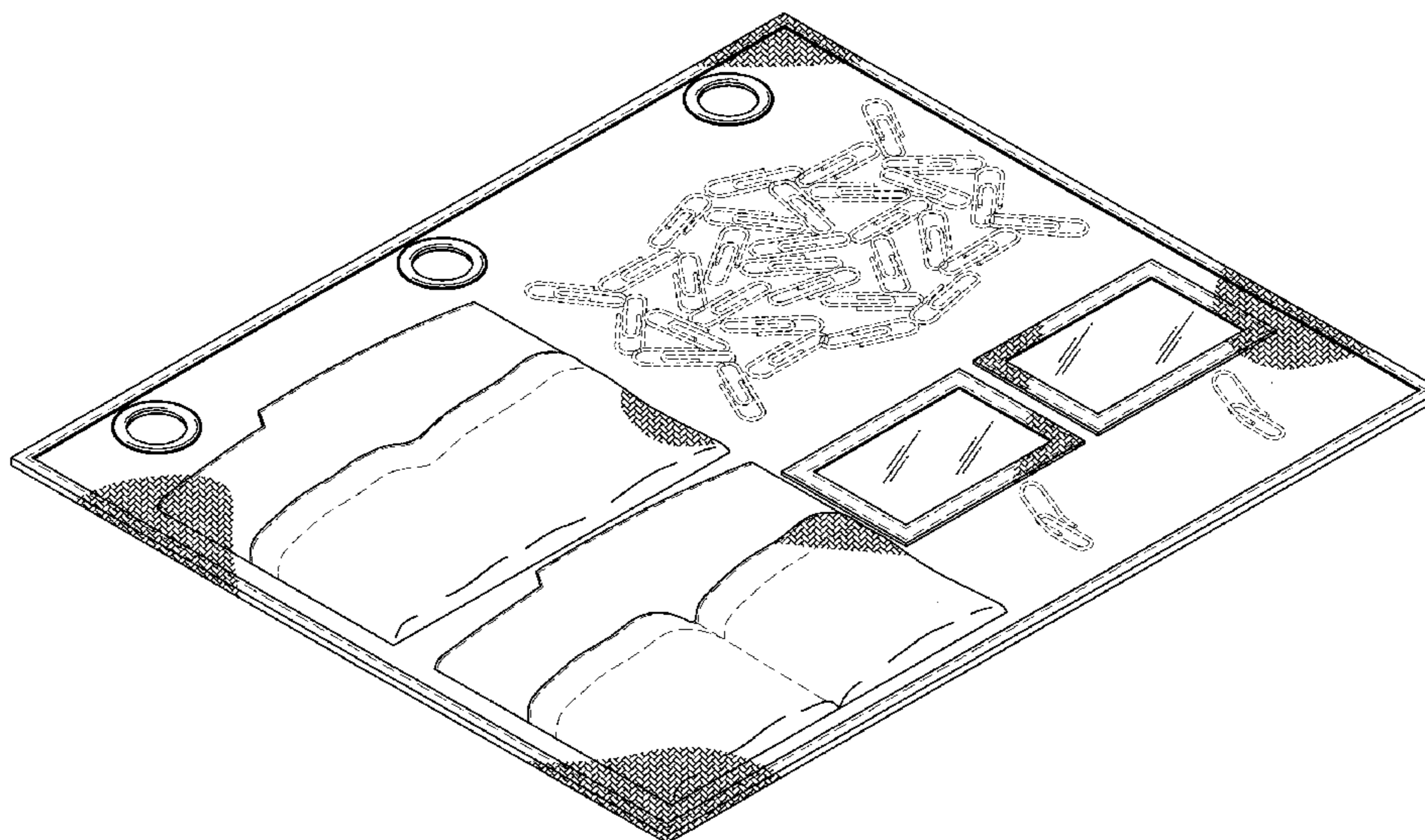
The ornamental design for a hanging storage panel, as shown
and described.

DESCRIPTION

FIG. 1 is a bottom, front, and left side perspective view of a
hanging storage panel showing our new design;
FIG. 2 is a top, front, and right side perspective view thereof;
FIG. 3 is a bottom, rear, and right side perspective view
thereof;
FIG. 4 is a front elevational view thereof;
FIG. 5 is a rear elevational view thereof;
FIG. 6 is a right side elevational view thereof;
FIG. 7 is a left side elevational view thereof;
FIG. 8 is a top plan view thereof; and,
FIG. 9 is a bottom plan view thereof.

The broken-line disclosure of the paperclips is intended to
represent environmental elements which form no part of the
claimed design, while the remaining broken-lines are
intended to represent conventional stitching on the article.

1 Claim, 7 Drawing Sheets



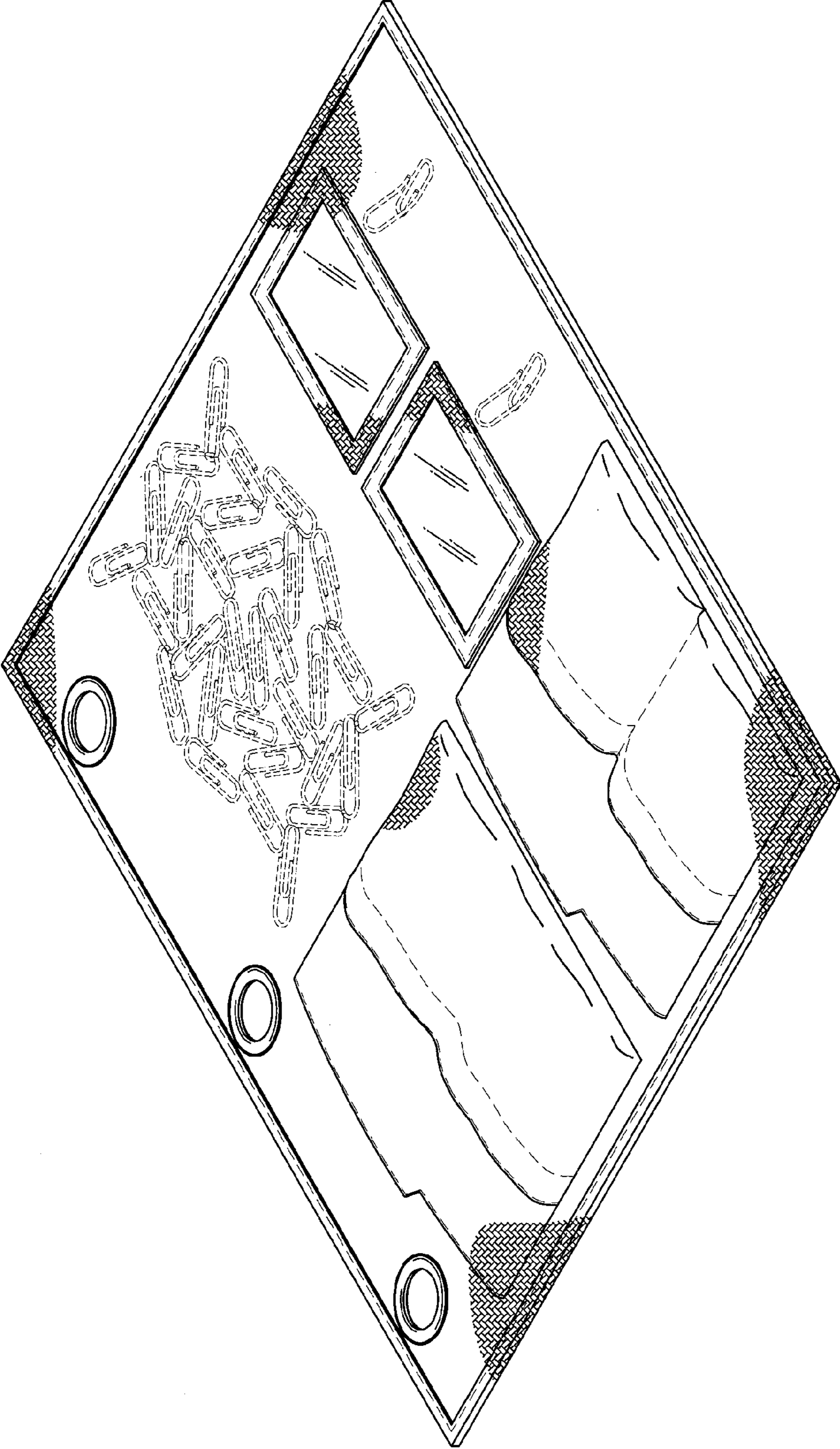


FIG. 1

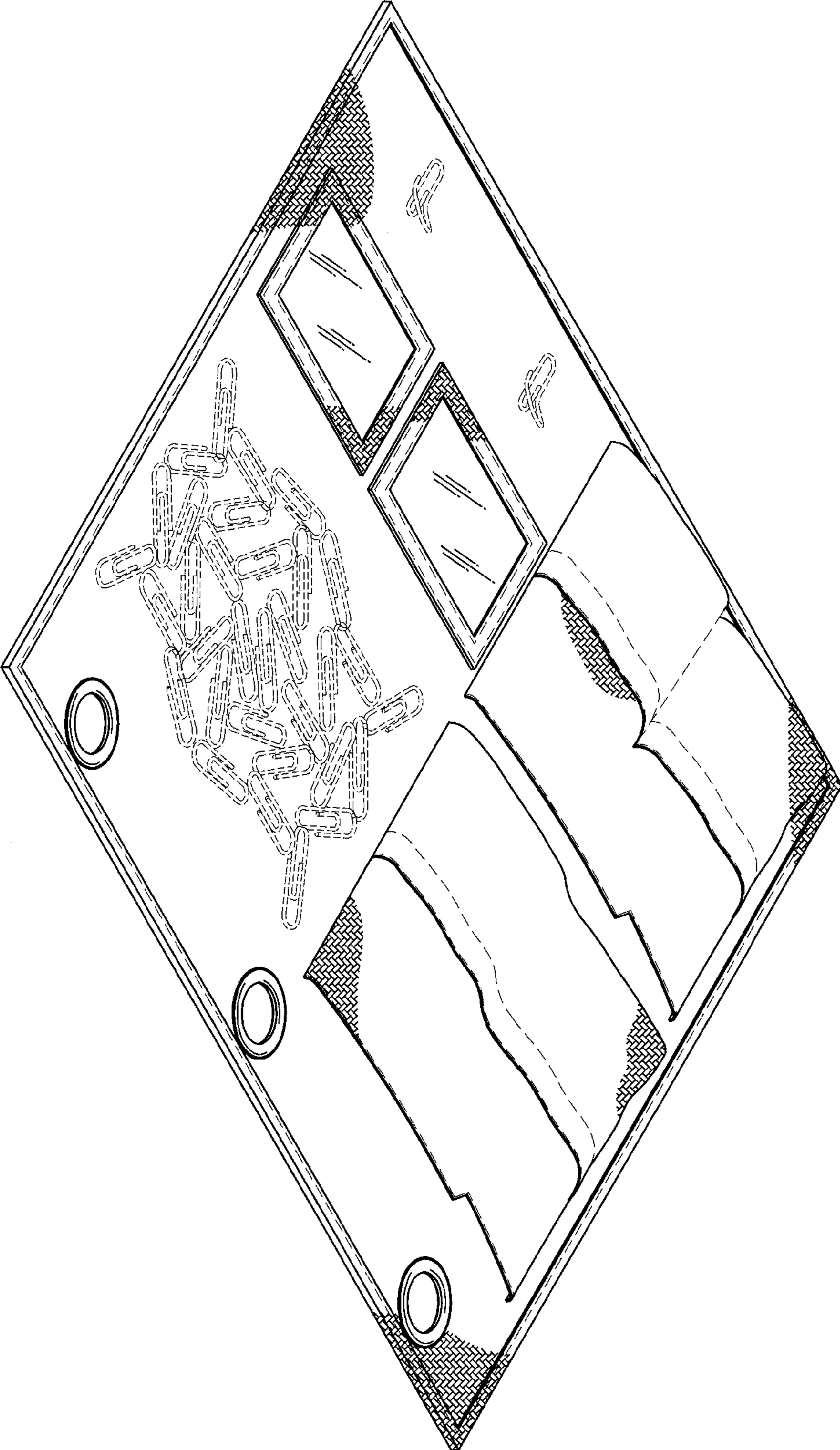


FIG. 2

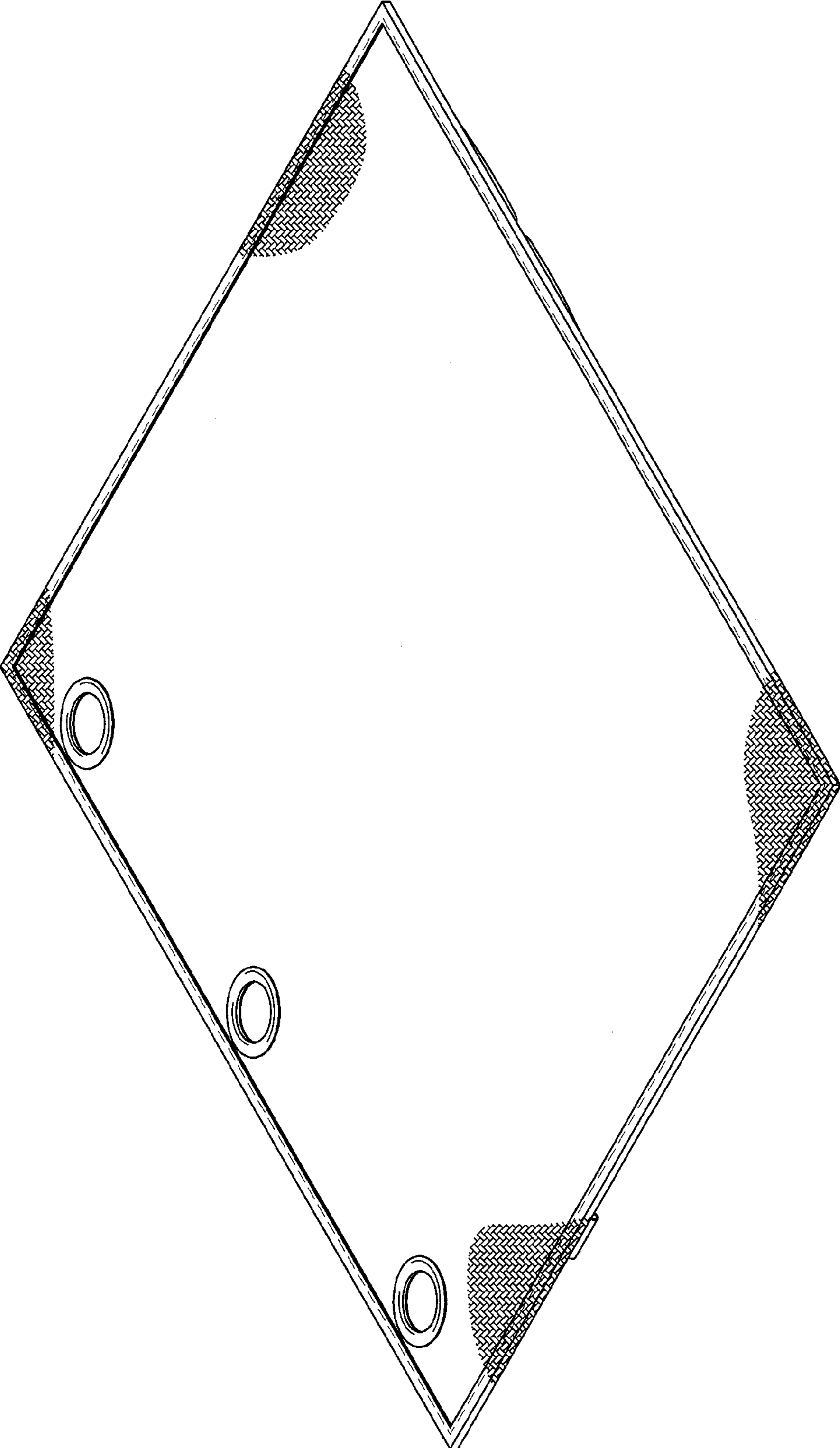


FIG. 3

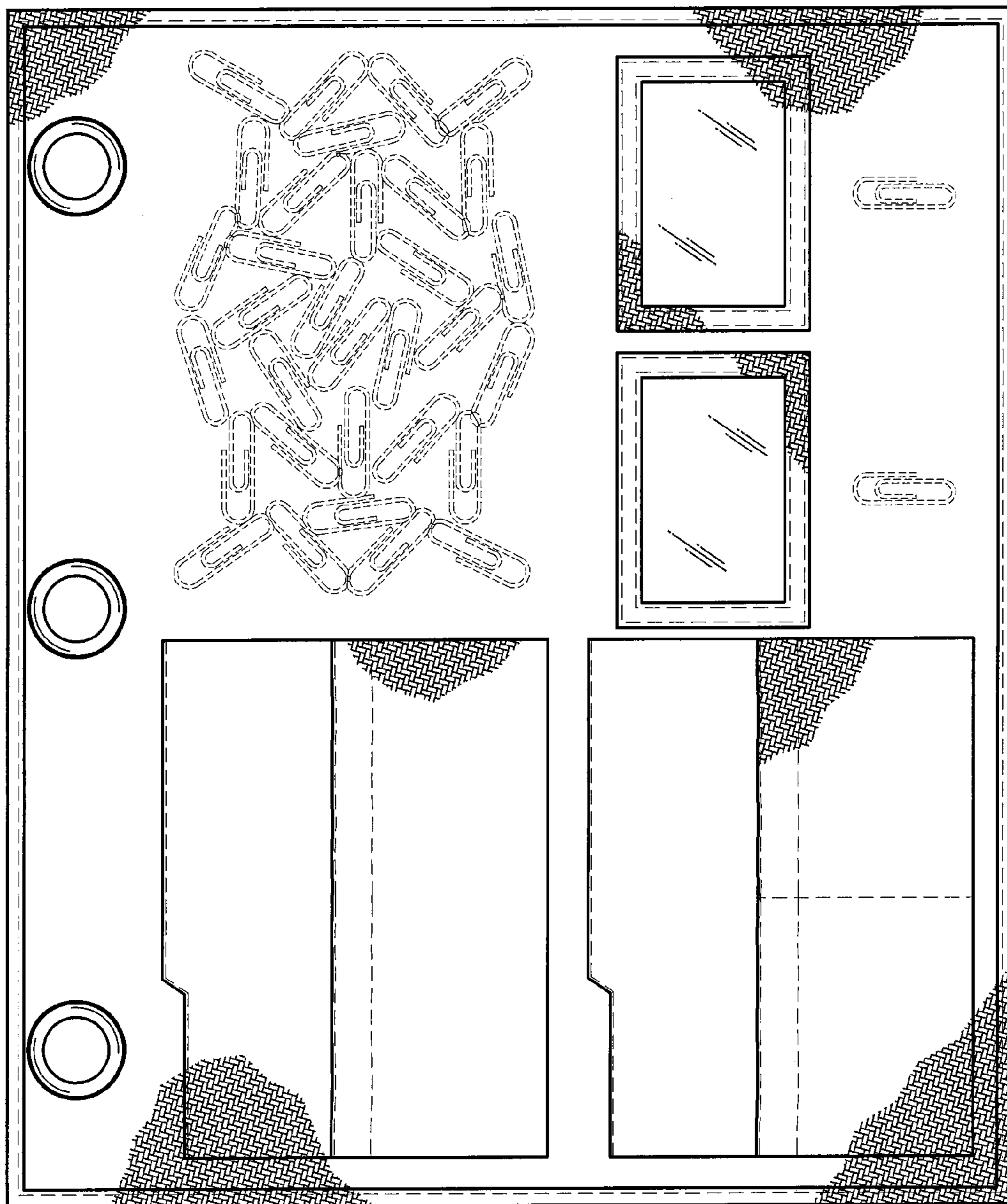


FIG. 4

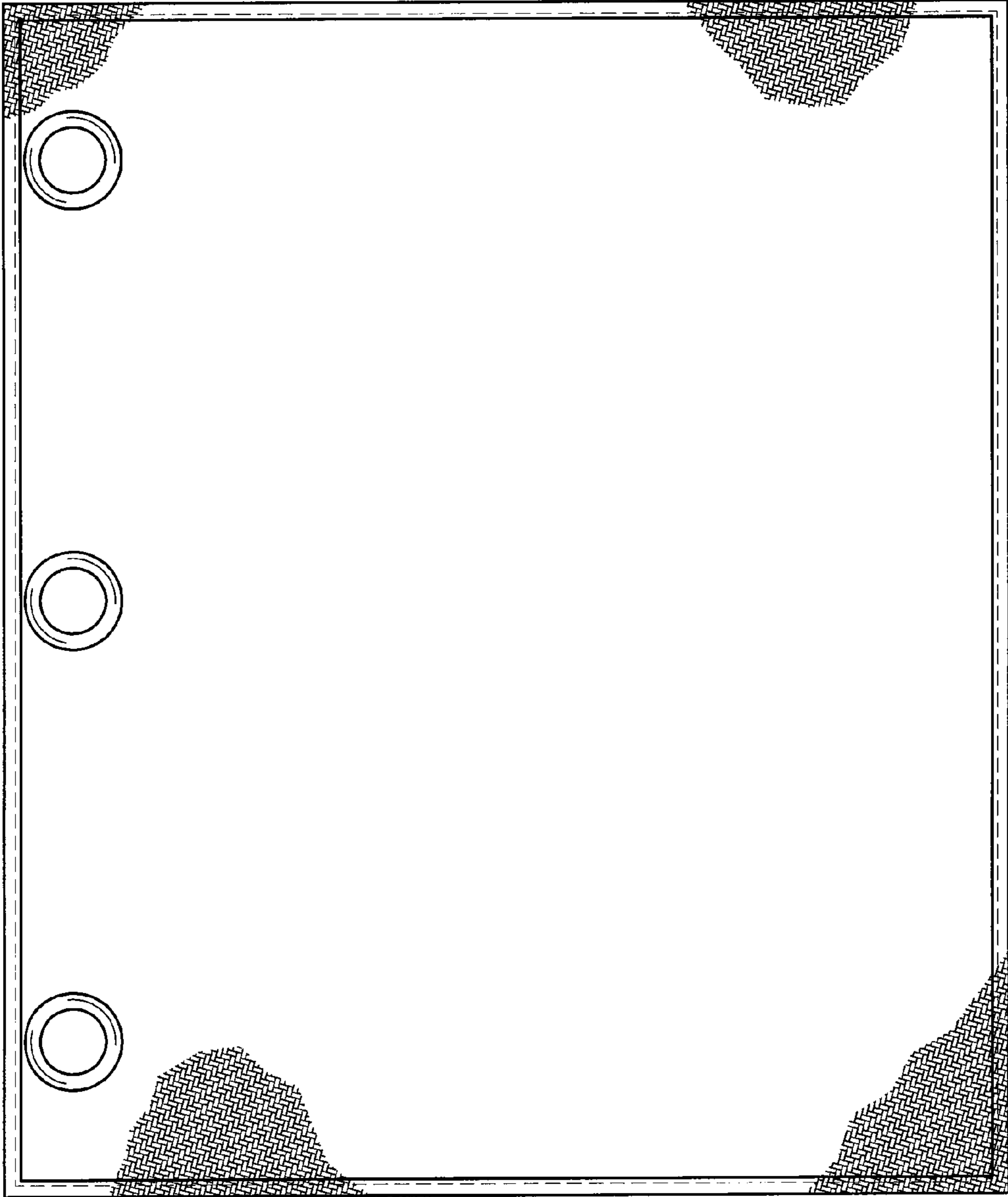


FIG. 5



FIG. 7



FIG. 6



FIG. 8



FIG. 9