

US00D666435S

(12) **United States Design Patent**
Meyers et al.

(10) **Patent No.:** **US D666,435 S**

(45) **Date of Patent:** **** Sep. 4, 2012**

(54) **BATH SEAT**

(75) Inventors: **Daniel Seth Meyers**, Roxboro (CA);
Serge Langlois, Montreal (CA)

(73) Assignee: **AMG Medical Inc.**, Montreal (CA)

(**) Term: **14 Years**

(21) Appl. No.: **29/389,637**

(22) Filed: **Apr. 14, 2011**

(51) **LOC (9) Cl.** **06-01**

(52) **U.S. Cl.** **D6/500**

(58) **Field of Classification Search** D6/333-336,
D6/349, 367, 368, 374, 375, 380, 500, 501,
D6/502; D23/303, 304; 4/559, 562.1, 578.1,
4/579; 297/183.1, 183.7, 239, 344.18, 440.1,
297/445.1, 446.1, 451.11, 452.21

See application file for complete search history.

(56) **References Cited**

U.S. PATENT DOCUMENTS

D355,985	S	*	3/1995	Karten et al.	D6/374
5,536,068	A	*	7/1996	Valentor et al.	297/344.18
5,940,905	A	*	8/1999	Cheng	4/578.1
D439,429	S	*	3/2001	Higgs et al.	D6/368
D478,750	S	*	8/2003	Gilbert et al.	D6/500
D478,752	S	*	8/2003	Gilbert et al.	D6/502
D479,051	S	*	9/2003	Darst et al.	D6/335

D479,067	S	*	9/2003	Gilbert et al.	D6/502
D519,291	S	*	4/2006	Higgs et al.	D6/367
D526,517	S	*	8/2006	Adams et al.	D6/500
D550,002	S	*	9/2007	Genord et al.	D6/502
D552,366	S	*	10/2007	Graves et al.	D6/374
D582,185	S	*	12/2008	Gilbert et al.	D6/502
D645,680	S	*	9/2011	Gilbert	D6/500
2004/0051365	A1	*	3/2004	Darst et al.	297/440.1

* cited by examiner

Primary Examiner — Mimosa De

(74) *Attorney, Agent, or Firm* — Norton Rose Canada LLP

(57) **CLAIM**

The ornamental design for a bath seat, as shown and described.

DESCRIPTION

FIG. 1 is a front perspective view of a bath seat in accordance with our new design;

FIG. 2 is a rear perspective view of the bath seat of FIG. 1;

FIG. 3 is a front elevational view of the bath seat of FIG. 1;

FIG. 4 is a rear elevational view of the bath seat of FIG. 1;

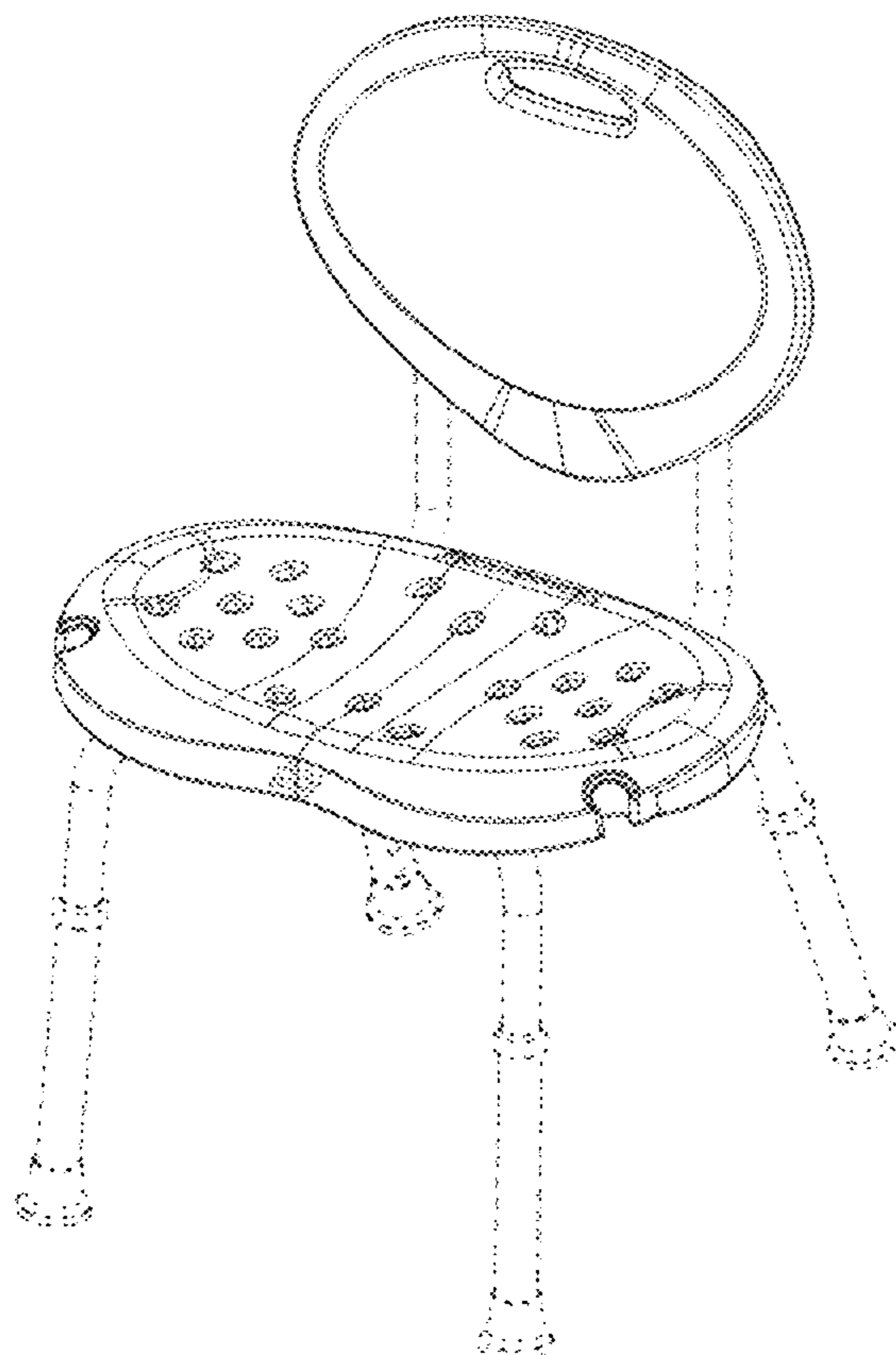
FIG. 5 is a right side elevational view of the bath seat of FIG. 1, the opposite left side view being a mirror image thereof;

FIG. 6 is a top plan view of the bath seat of FIG. 1; and,

FIG. 7 is a bottom plan view of the bath seat of FIG. 1.

Any parts shown in broken lines form no part of the claimed design.

1 Claim, 7 Drawing Sheets



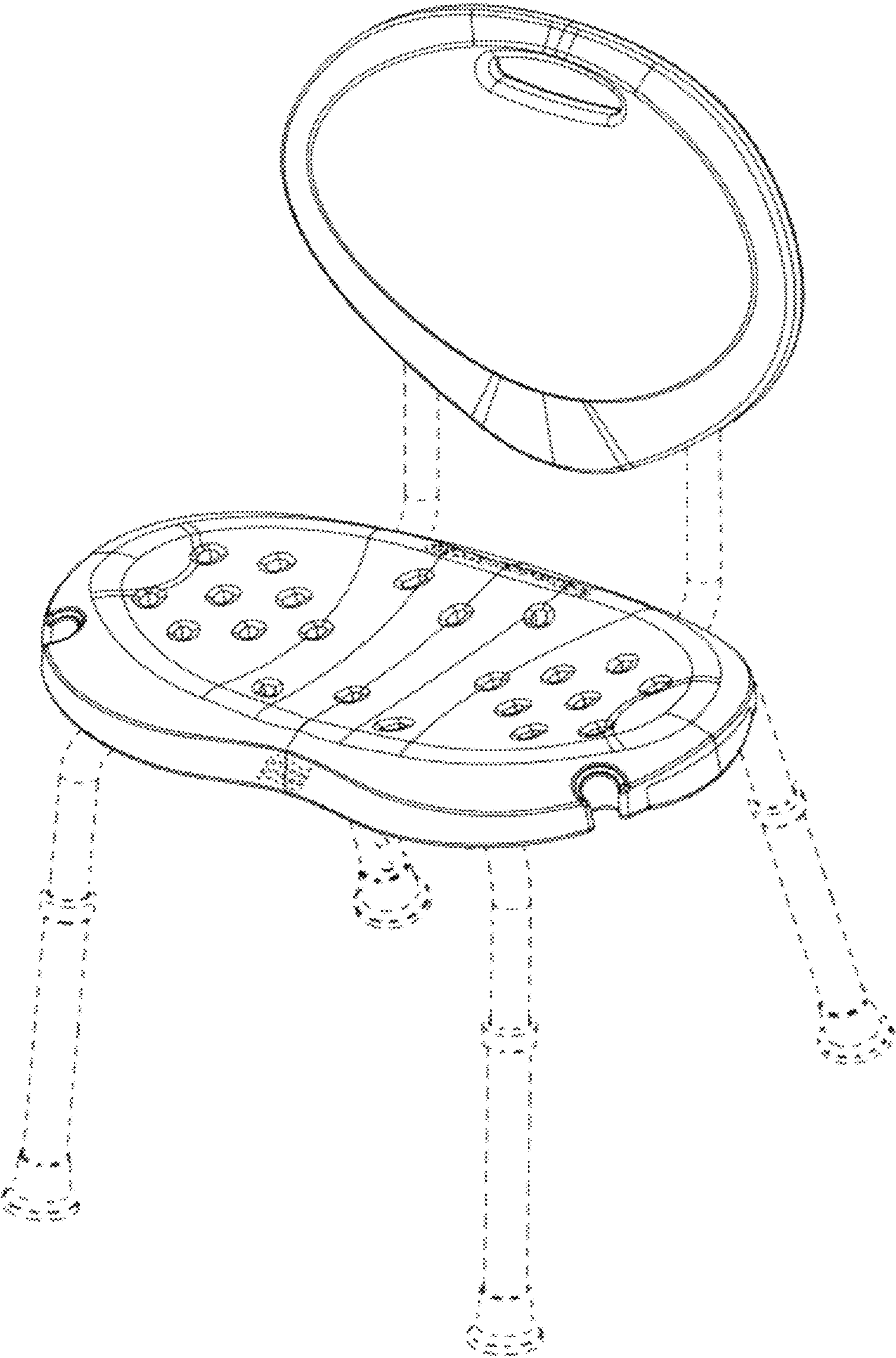


Fig. 1

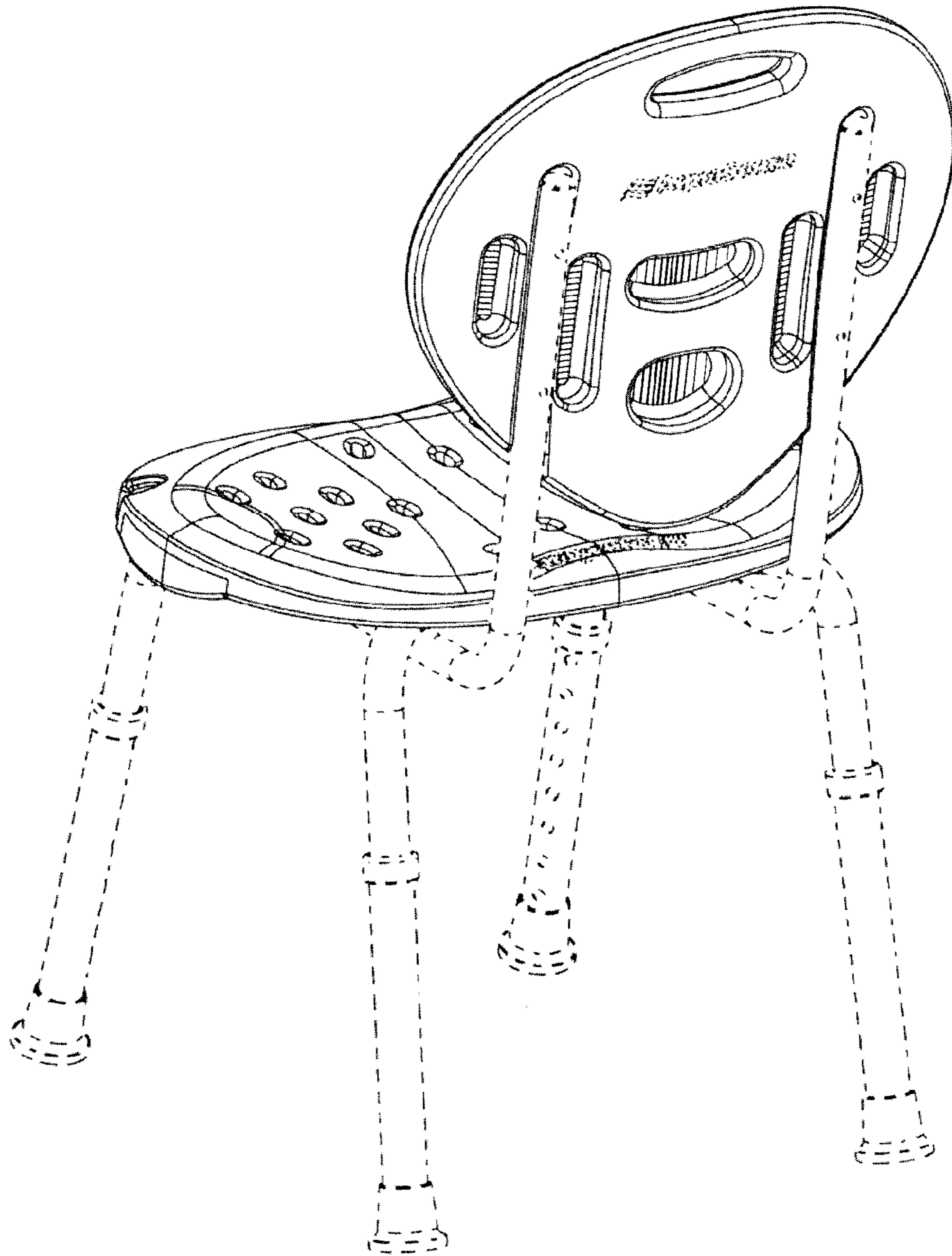


Fig. 2

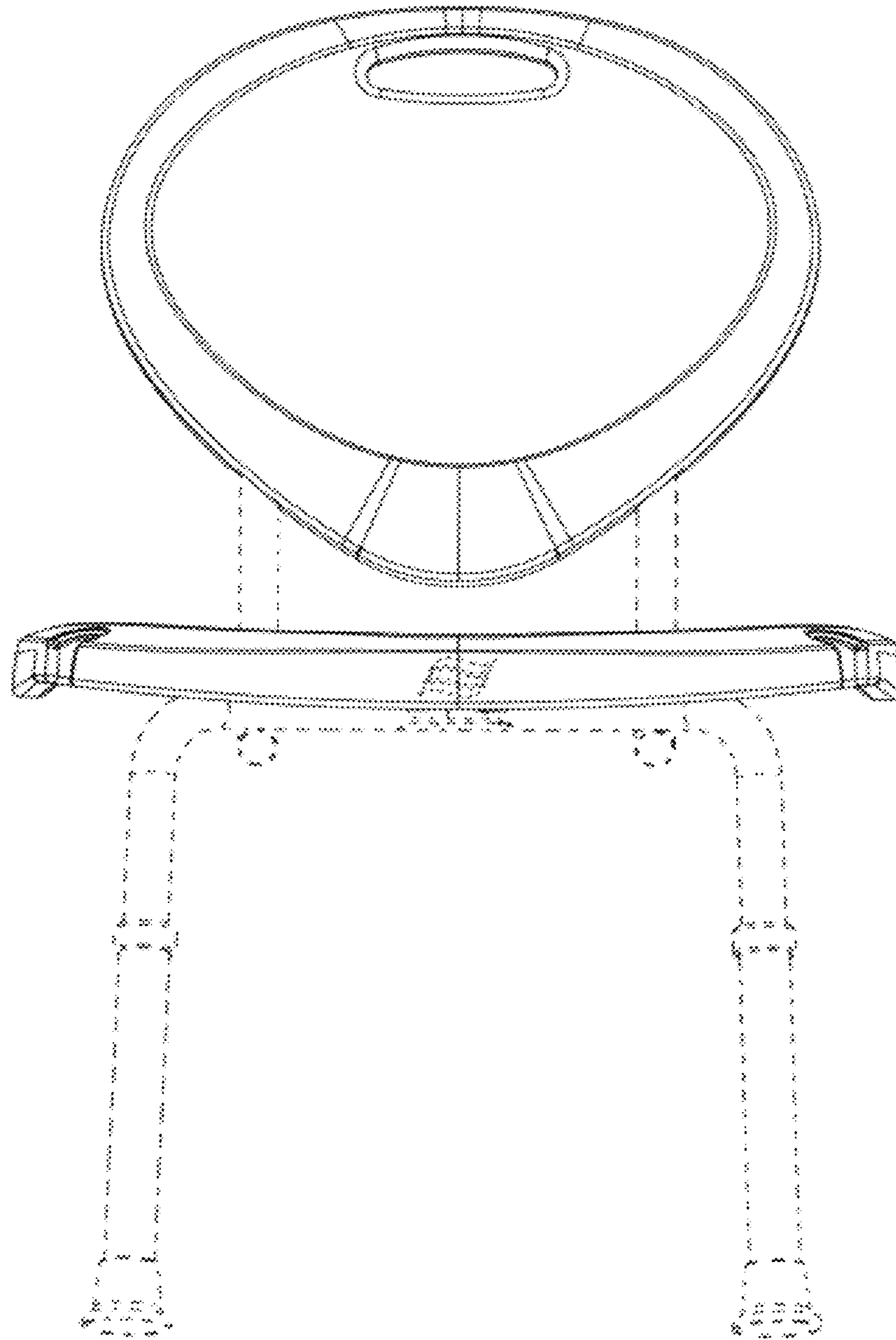


Fig. 3

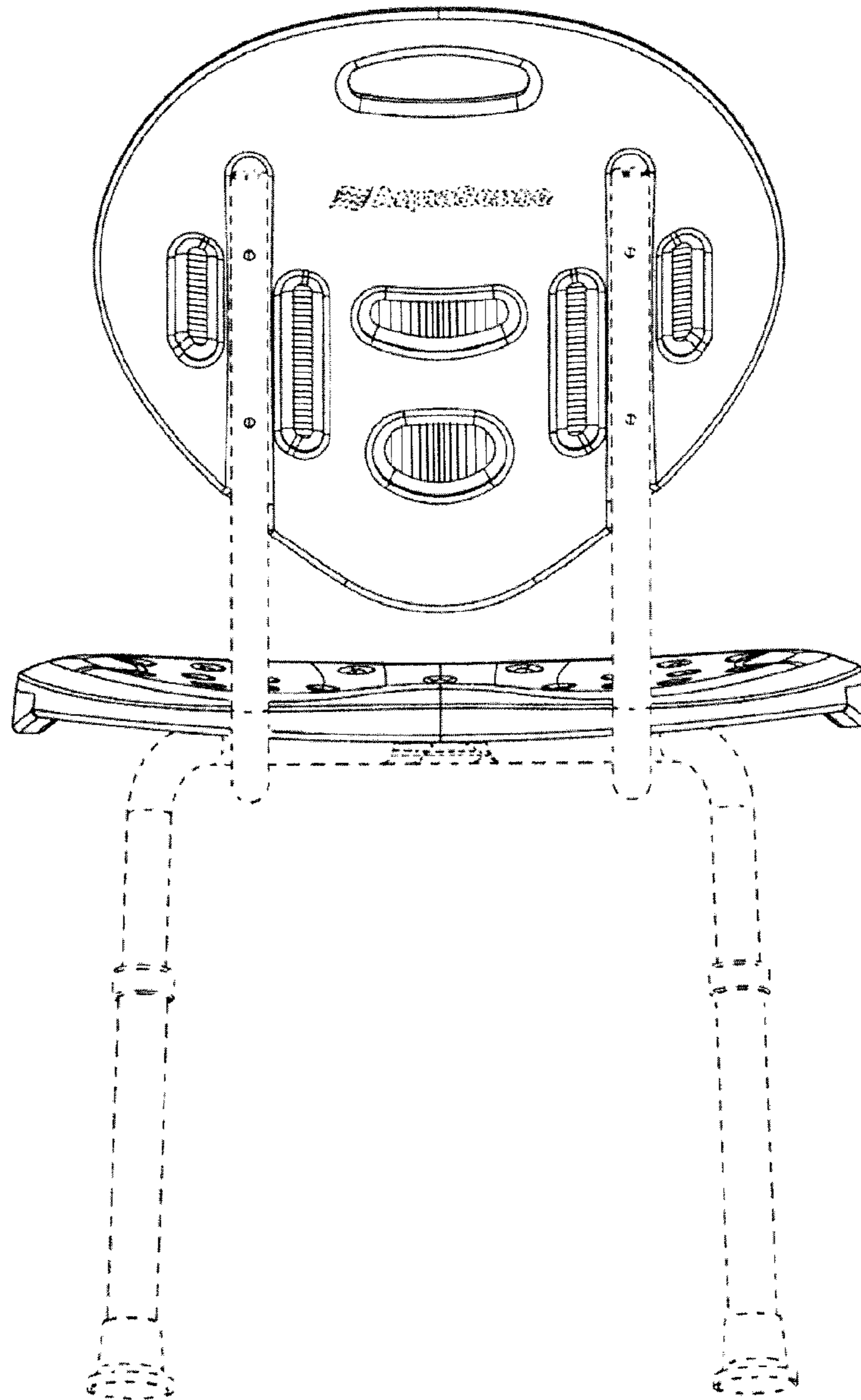


Fig. 4

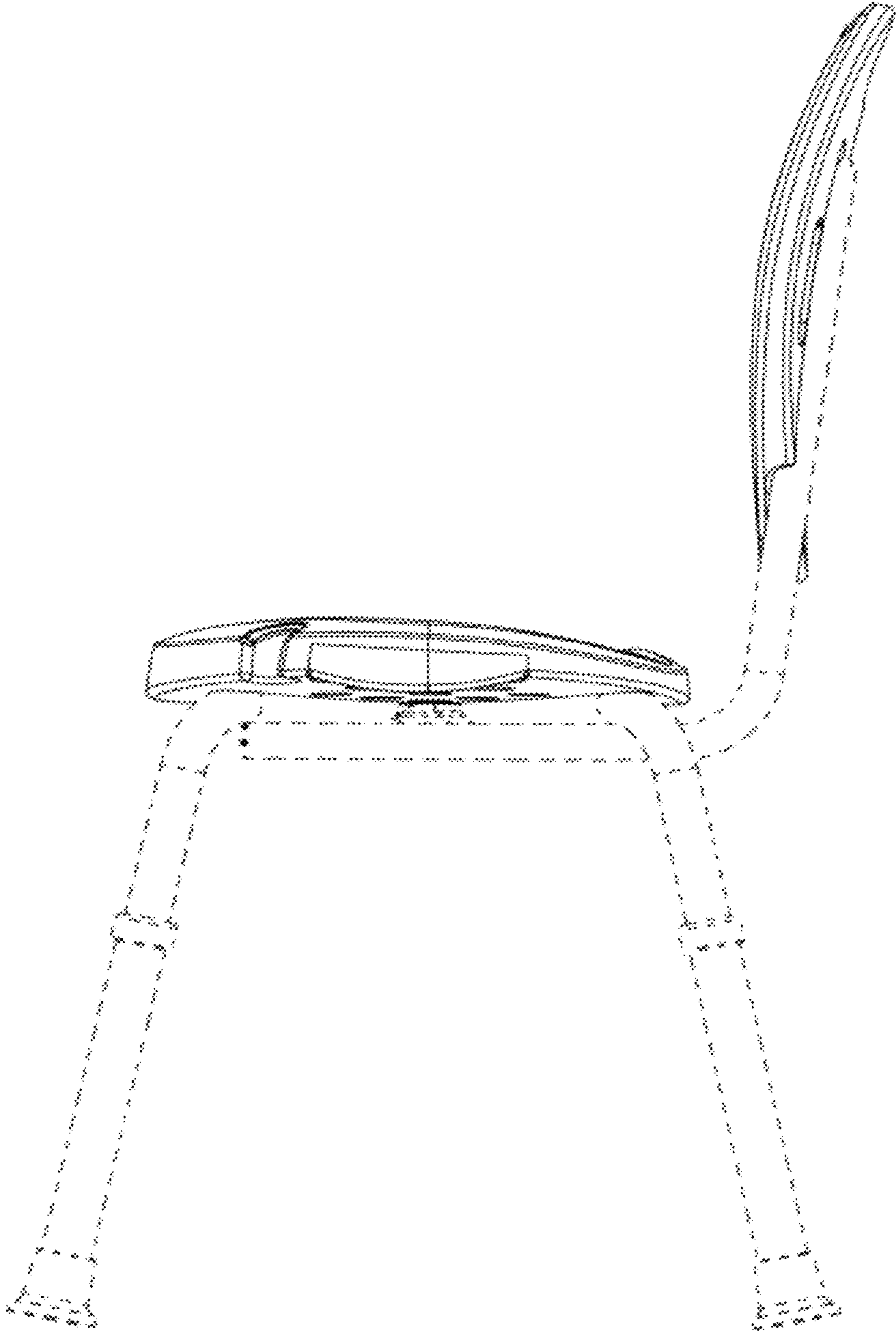


Fig. 5

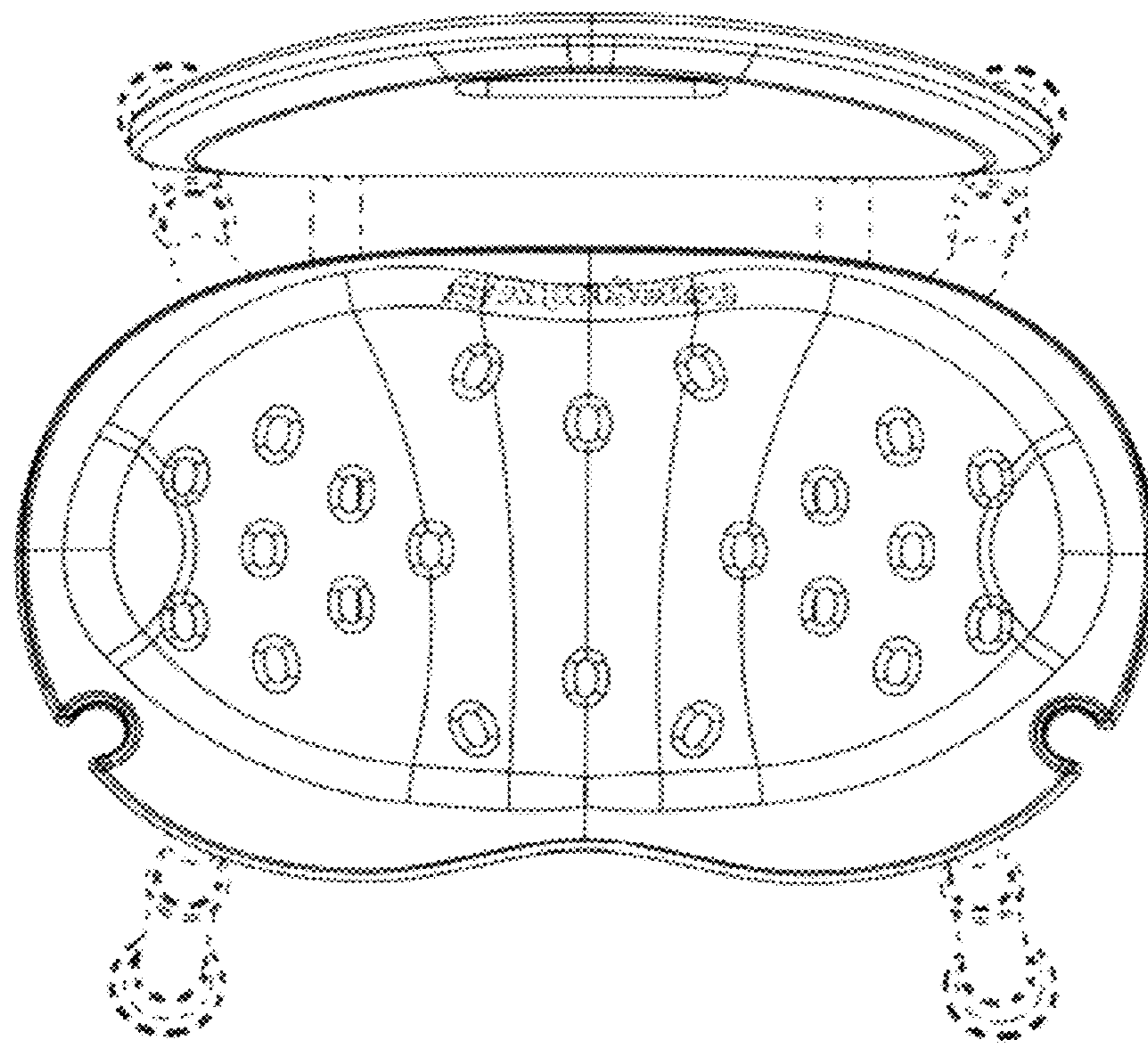


Fig. 6

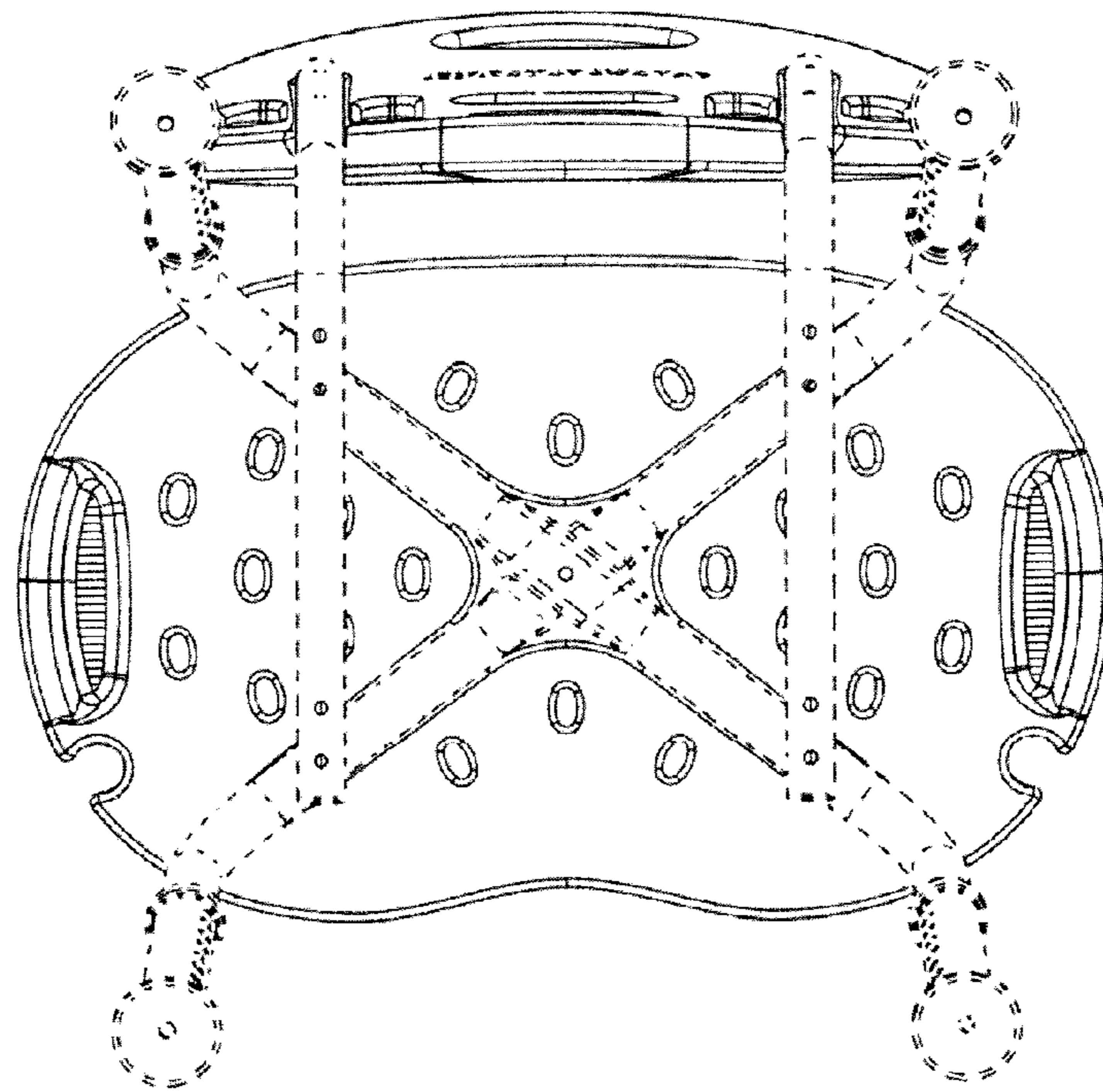


Fig. 7