



US00D666423S

(12) **United States Design Patent**  
**Liu et al.**

(10) **Patent No.:** **US D666,423 S**  
(45) **Date of Patent:** **\*\* Sep. 4, 2012**

(54) **DIGITAL PHOTO FRAME**

(75) Inventors: **Ya-Zhou Liu**, Shenzhen (CN);  
**Ping-Chou Chen**, New Taipei (TW);  
**Wei-Rong Xiao**, Shenzhen (CN); **Qiao Ting**, Shenzhen (CN); **Han-Che Wang**, New Taipei (TW); **Kuan-Hong Hsieh**, New Taipei (TW)

(73) Assignee: **Hon Hai Precision Industry Co., Ltd.**, Tu-Cheng, New Taipei (TW)

(\*\*) Term: **14 Years**

(21) Appl. No.: **29/396,865**

(22) Filed: **Jul. 8, 2011**

(51) **LOC (9) Cl.** ..... **06-07**

(52) **U.S. Cl.** ..... **D6/308**

(58) **Field of Classification Search** ..... D6/300-314;  
40/700, 768, 717, 714, 721, 735; D14/371,  
D14/372, 448, 449, 450, 374, 381, 382, 336,  
D14/337, 250, 146, 341, 496, 331, 126, 130;  
D20/10; D10/24, 75, 2, 15, 40

See application file for complete search history.

(56) **References Cited**

**U.S. PATENT DOCUMENTS**

D31,074 S *	6/1899	Odgers	.....	D6/309
D32,569 S *	4/1900	Odgers	.....	D6/309
D36,562 S *	9/1903	Collins	.....	D6/309
D36,563 S *	9/1903	Oldenburg	.....	D6/309

D36,691 S *	12/1903	Collins	.....	D6/309
D37,861 S *	2/1906	Collins	.....	D6/309
D181,756 S *	12/1957	Spertus	.....	D6/309
4,106,742 A *	8/1978	Miller et al.	.....	248/488
D265,865 S *	8/1982	Stephens et al.	.....	D3/299
6,748,688 B2 *	6/2004	Matara	.....	40/794
D504,575 S *	5/2005	McDaniel et al.	.....	D6/309
D521,774 S *	5/2006	Yoshino	.....	D6/470
D522,762 S *	6/2006	Hutton	.....	D6/309
D598,662 S *	8/2009	Stein	.....	D6/300
D601,815 S *	10/2009	Demcher	.....	D6/309

\* cited by examiner

*Primary Examiner* — Philip S Hyder

*Assistant Examiner* — Sydney Buffalow

(74) *Attorney, Agent, or Firm* — Altis Law Group, Inc.

(57) **CLAIM**

The ornamental design for a digital photo frame, as shown and described.

**DESCRIPTION**

FIG. 1 is a perspective view of a digital photo frame showing our new design;

FIG. 2 is a front elevational view thereof;

FIG. 3 is a rear elevational view thereof;

FIG. 4 is a left side elevational view thereof;

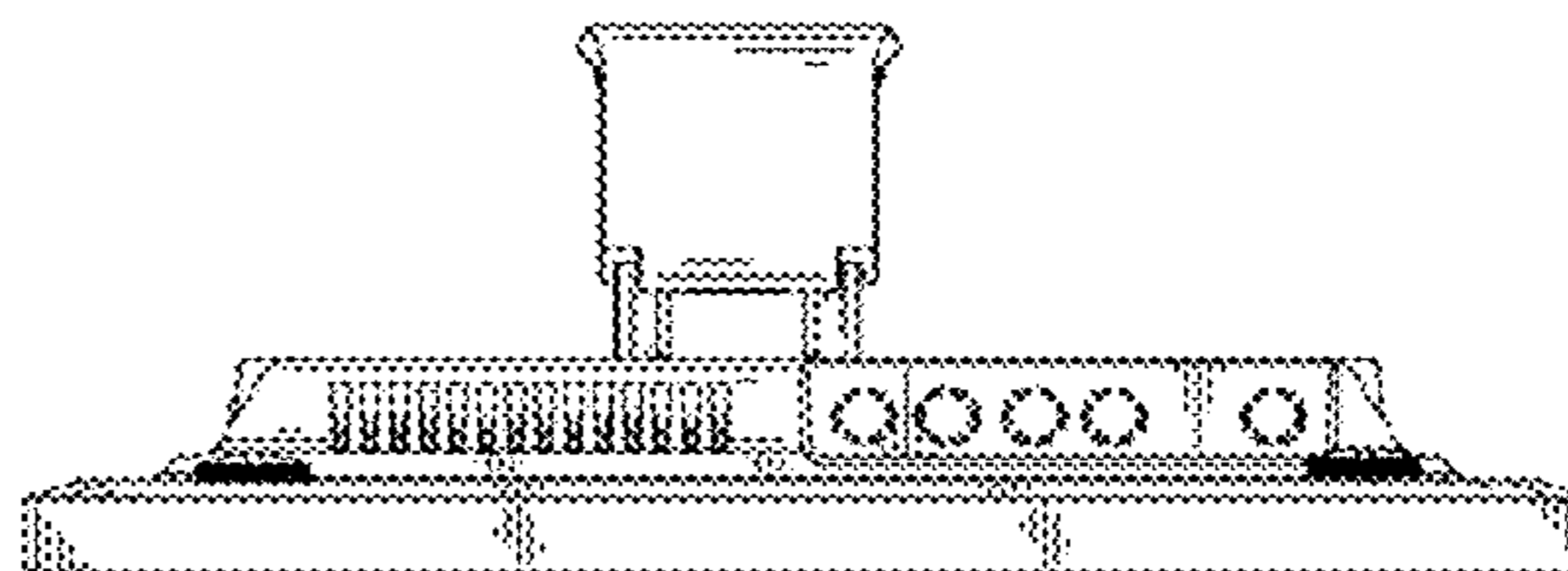
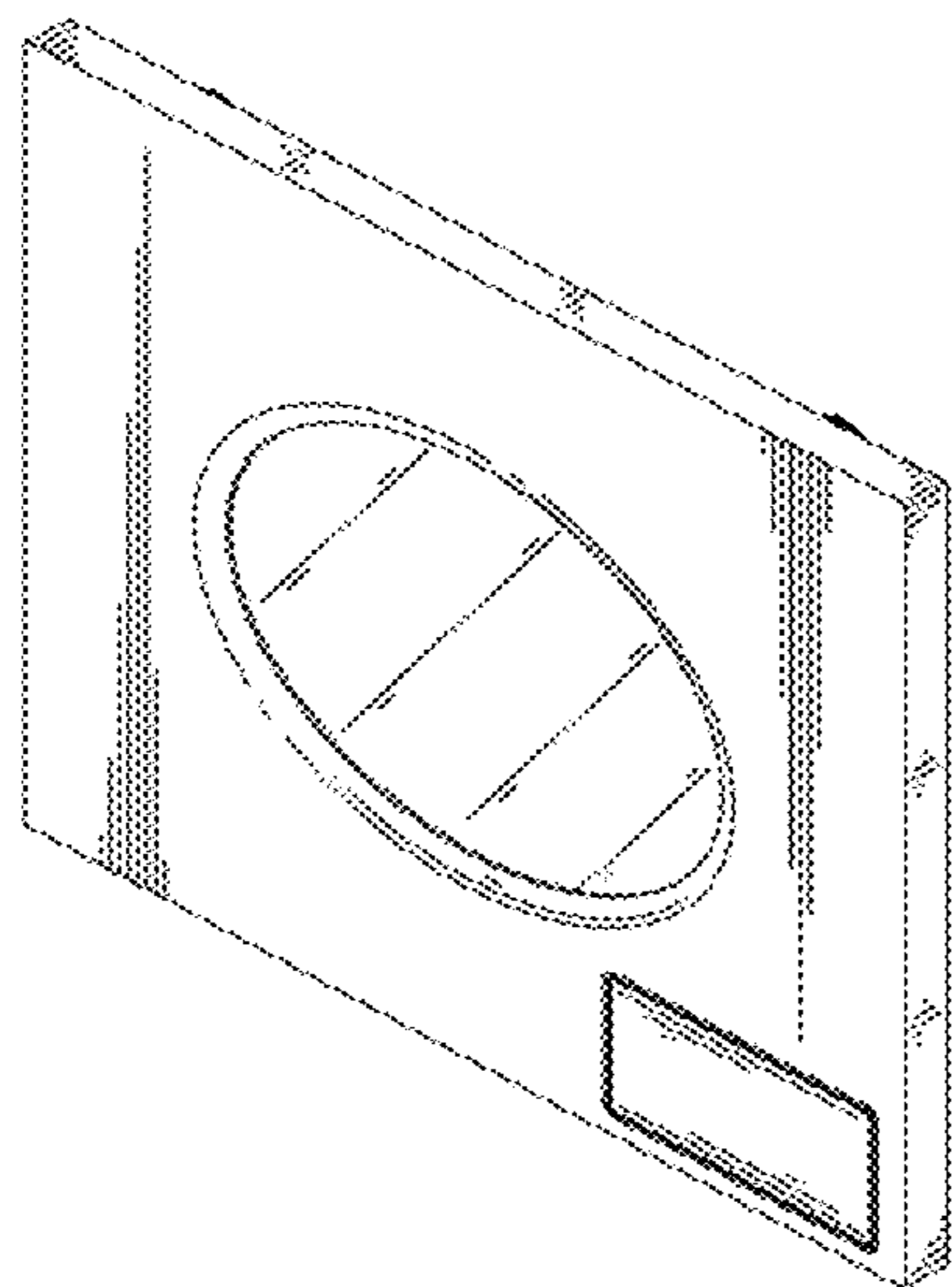
FIG. 5 is a right side elevational view thereof;

FIG. 6 is a top plan view thereof; and,

FIG. 7 is a bottom plan view thereof.

The broken lines shown in the drawings are included for the purpose of illustrating environmental structures only and form no part of the claimed design.

**1 Claim, 7 Drawing Sheets**



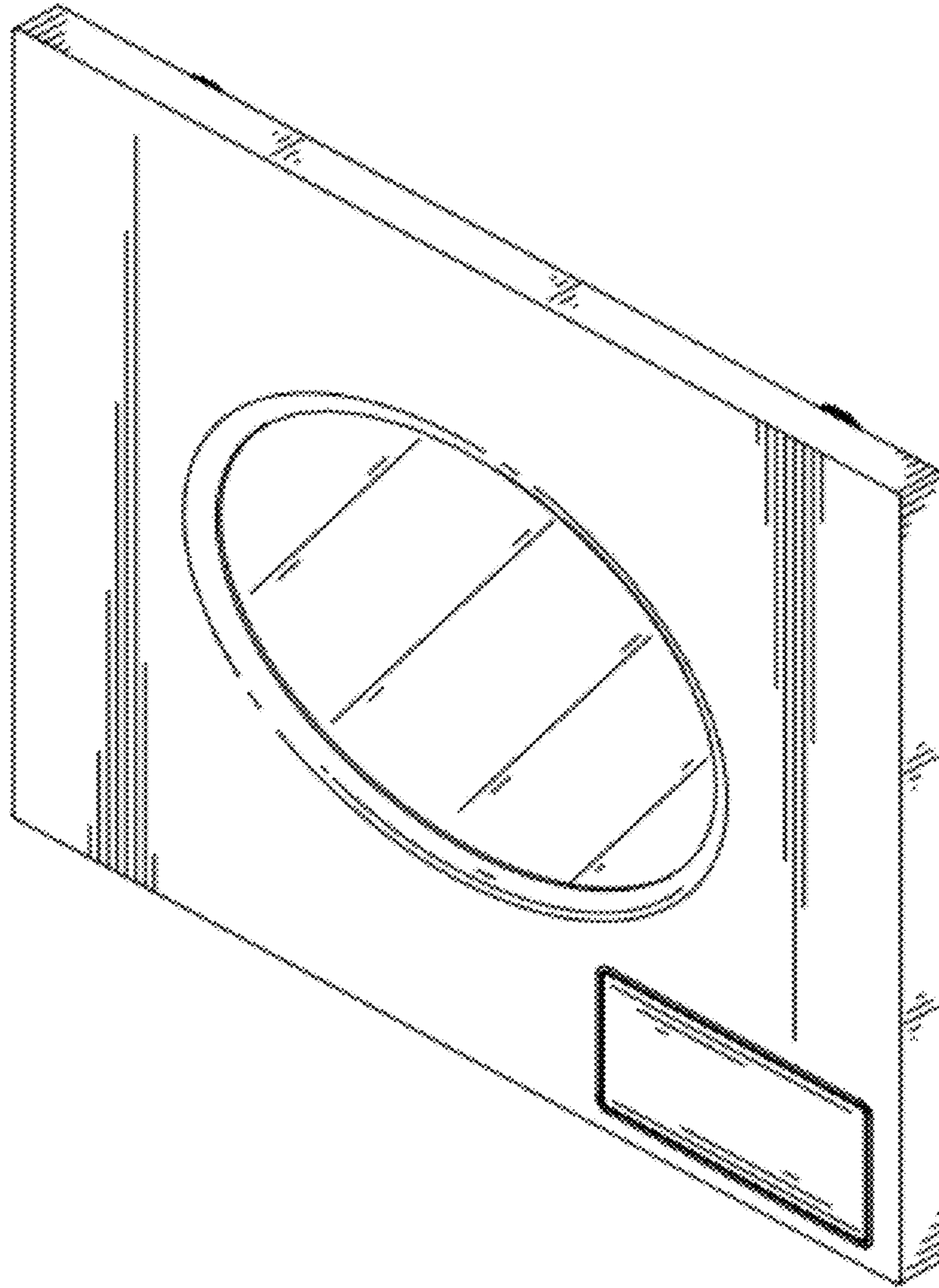


FIG. 1

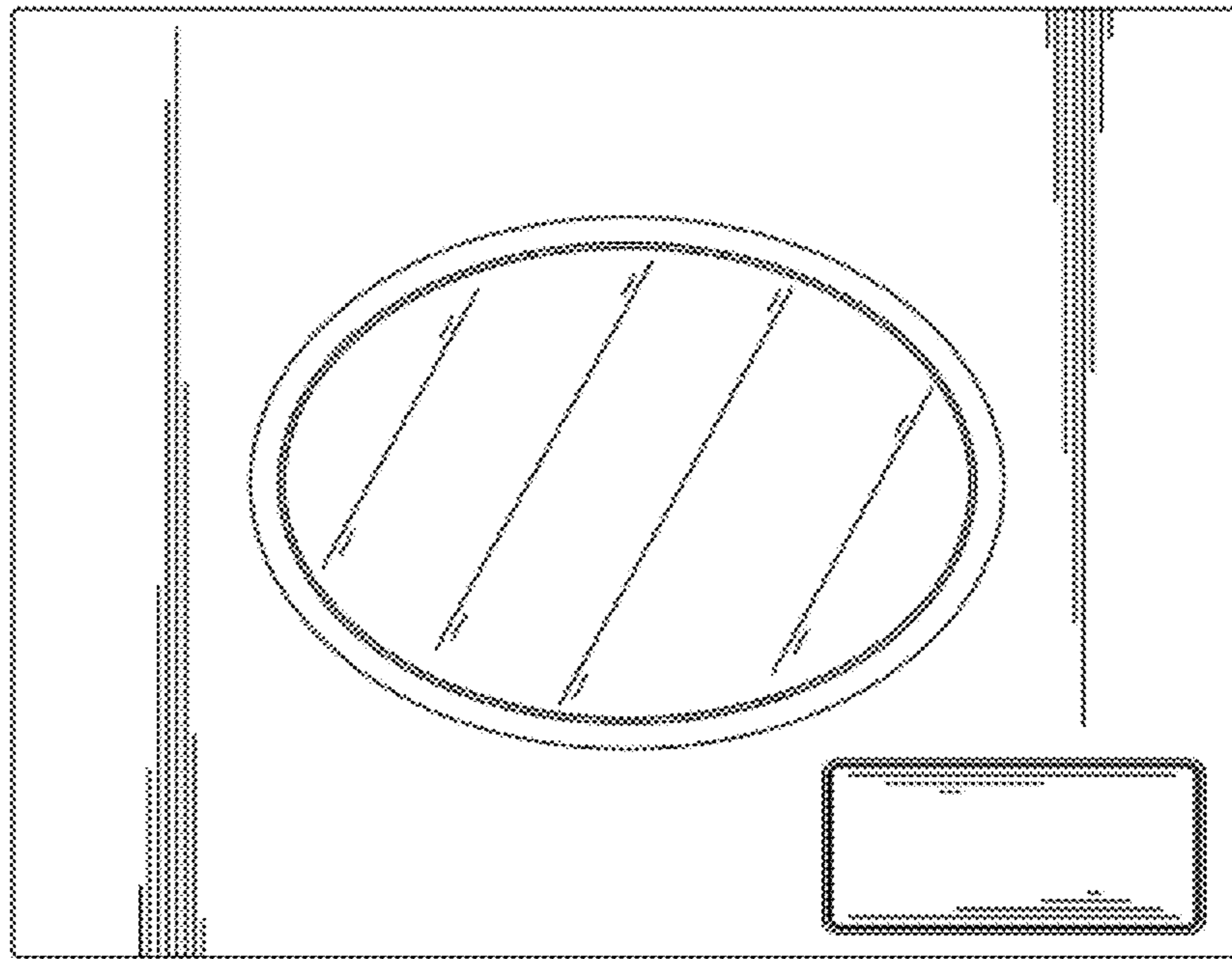


FIG. 2

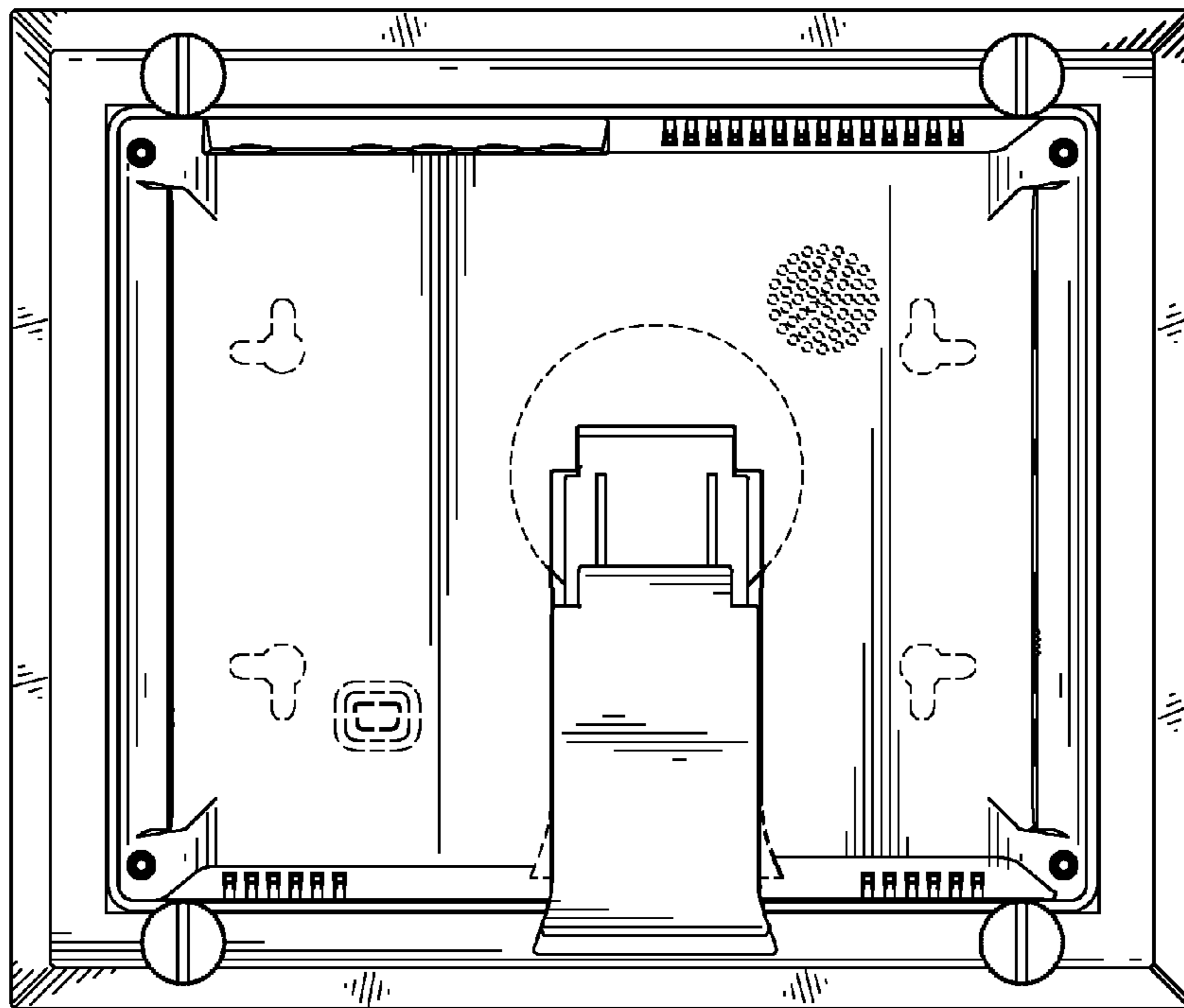


FIG. 3

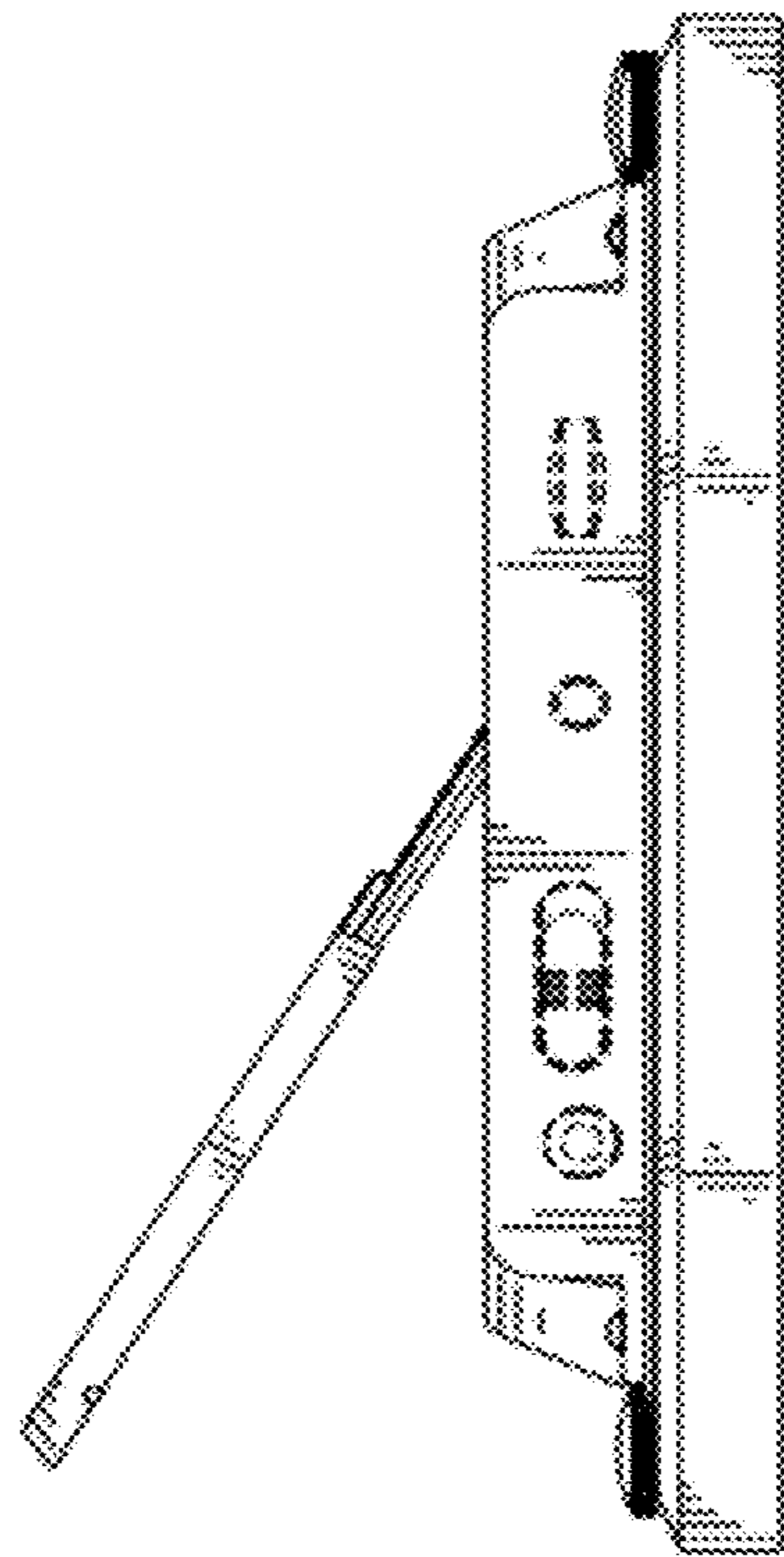


FIG. 4



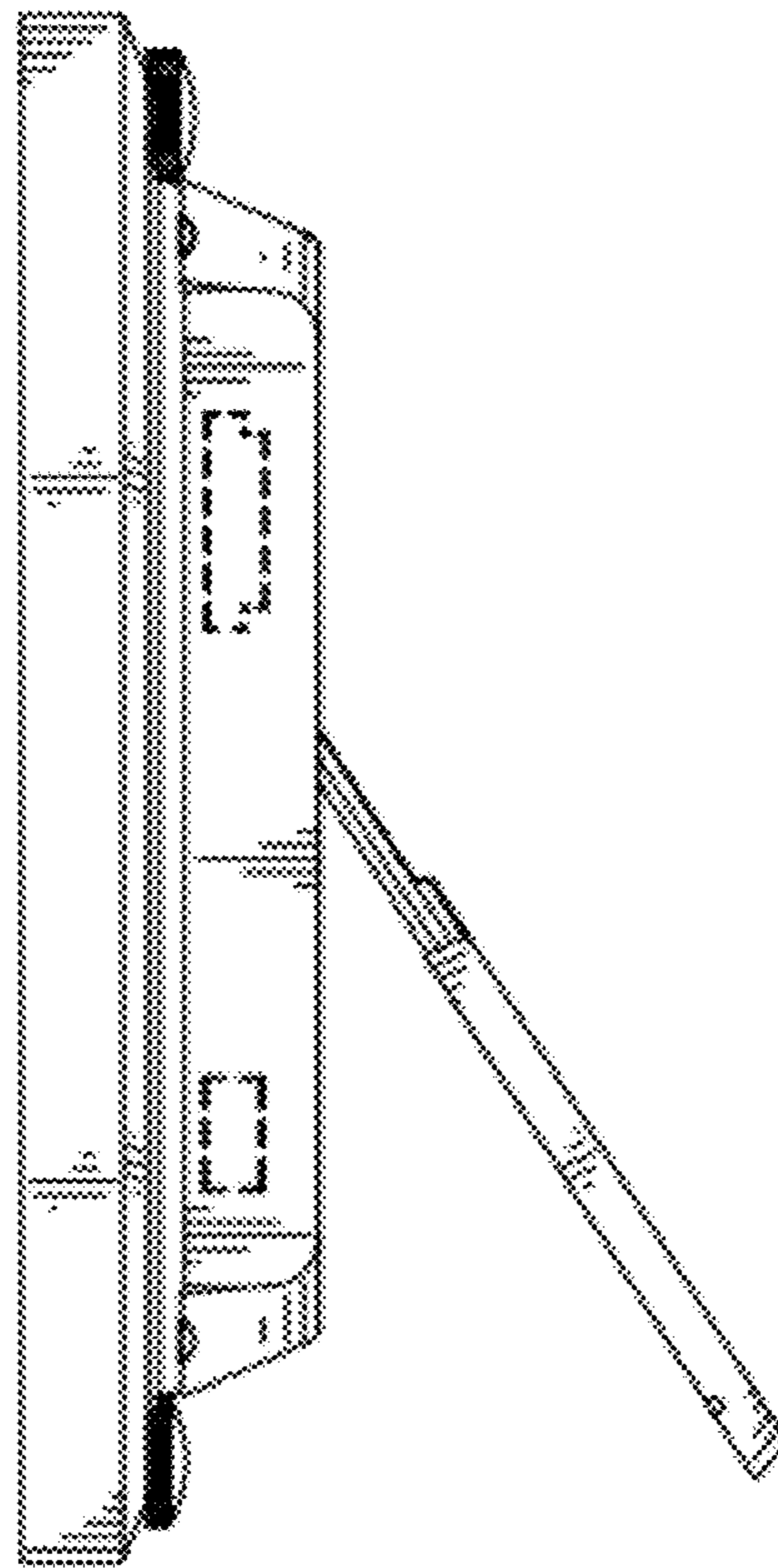


FIG. 5

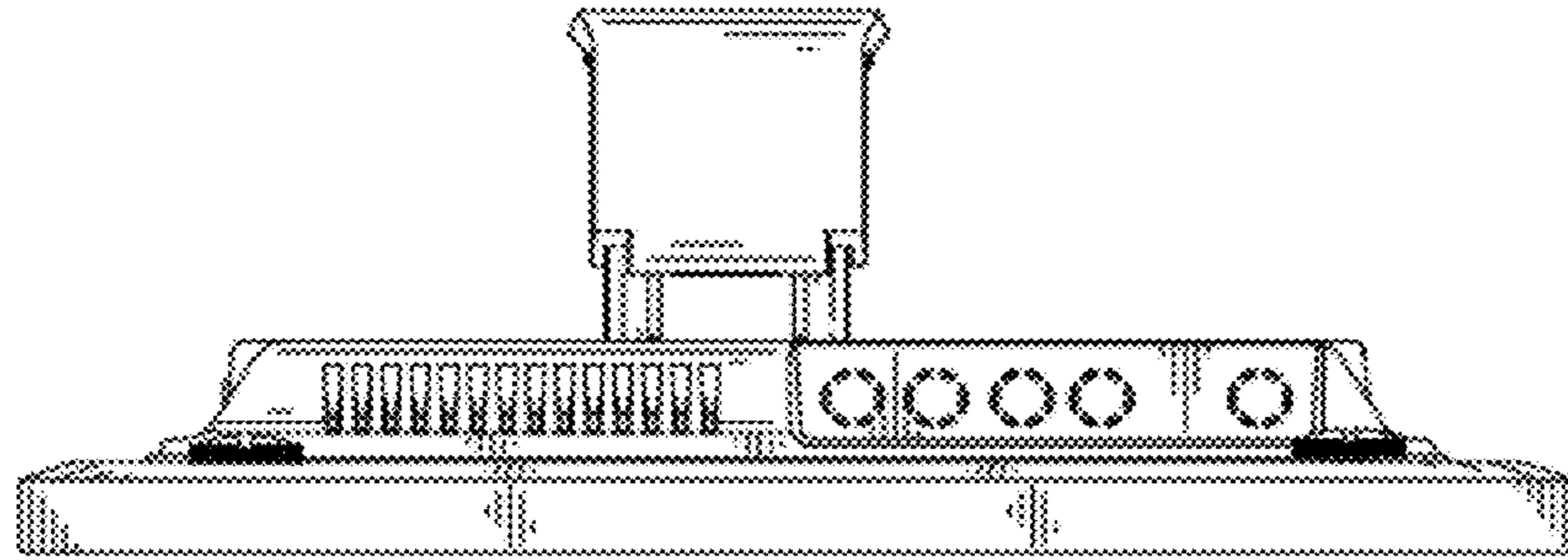


FIG. 6

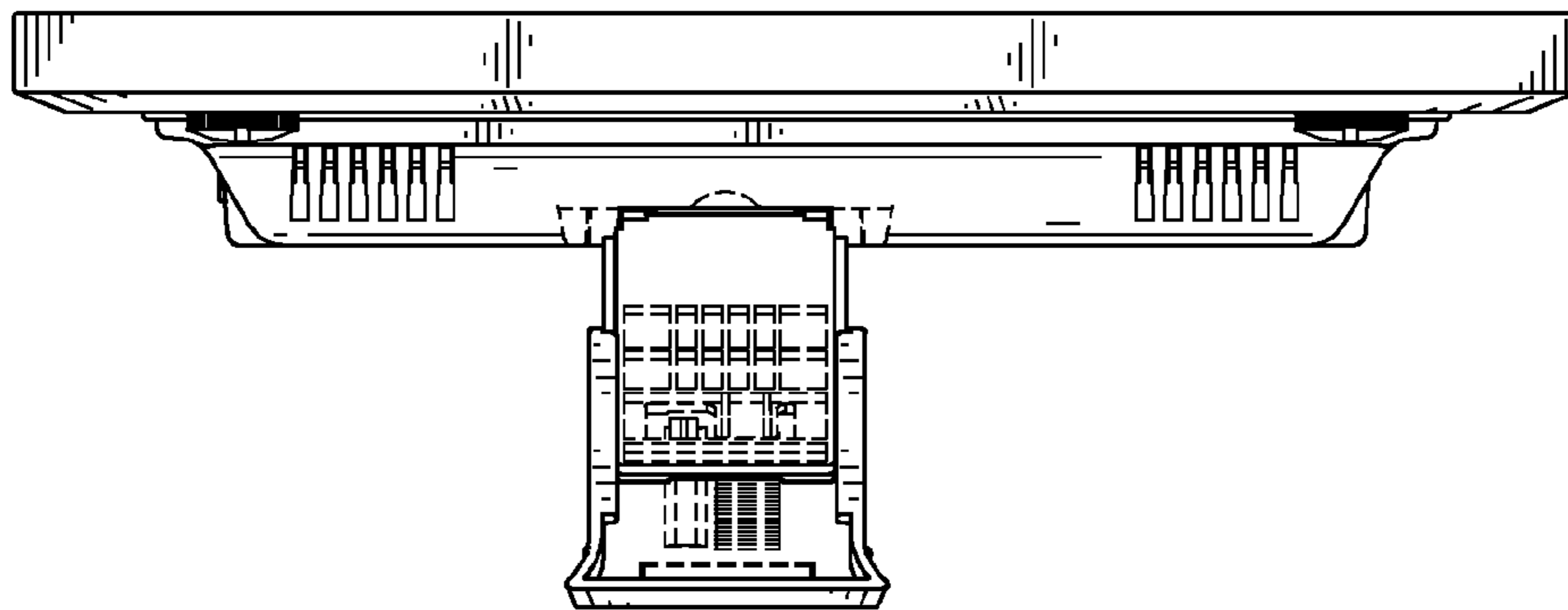


FIG. 7