

US00D666408S

(12) **United States Design Patent**
Neely, III

(10) **Patent No.:** **US D666,408 S**

(45) **Date of Patent:** **** Sep. 4, 2012**

(54) **KEY RING DEVICE**

(76) Inventor: **Edgar R. Neely, III**, Vashon, WA (US)

(**) Term: **14 Years**

(21) Appl. No.: **29/374,664**

(22) Filed: **Sep. 16, 2011**

(51) **LOC (9) Cl.** **03-01**

(52) **U.S. Cl.** **D3/208**

(58) **Field of Classification Search** D11/1-2,
D11/14, 26-29, 89-92, 44, 48, 81, 99; 63/26-28,
63/32; D3/207-212; D8/38; 70/456 B;
206/37.1; D10/64

See application file for complete search history.

(56) **References Cited**

U.S. PATENT DOCUMENTS

D273,053 S * 3/1984 Hamborg D99/28
D392,201 S * 3/1998 Chen D10/104.1
D504,767 S * 5/2005 DiMarchi et al. D3/215
D505,257 S * 5/2005 DiMarchi et al. D3/215

D551,851 S * 10/2007 Vincent D3/208
D577,485 S * 9/2008 Mohs D3/207
D639,547 S * 6/2011 Stefanov D3/207

* cited by examiner

Primary Examiner — Ralf Seifert

(74) *Attorney, Agent, or Firm* — Svendsen Legal, LLC.

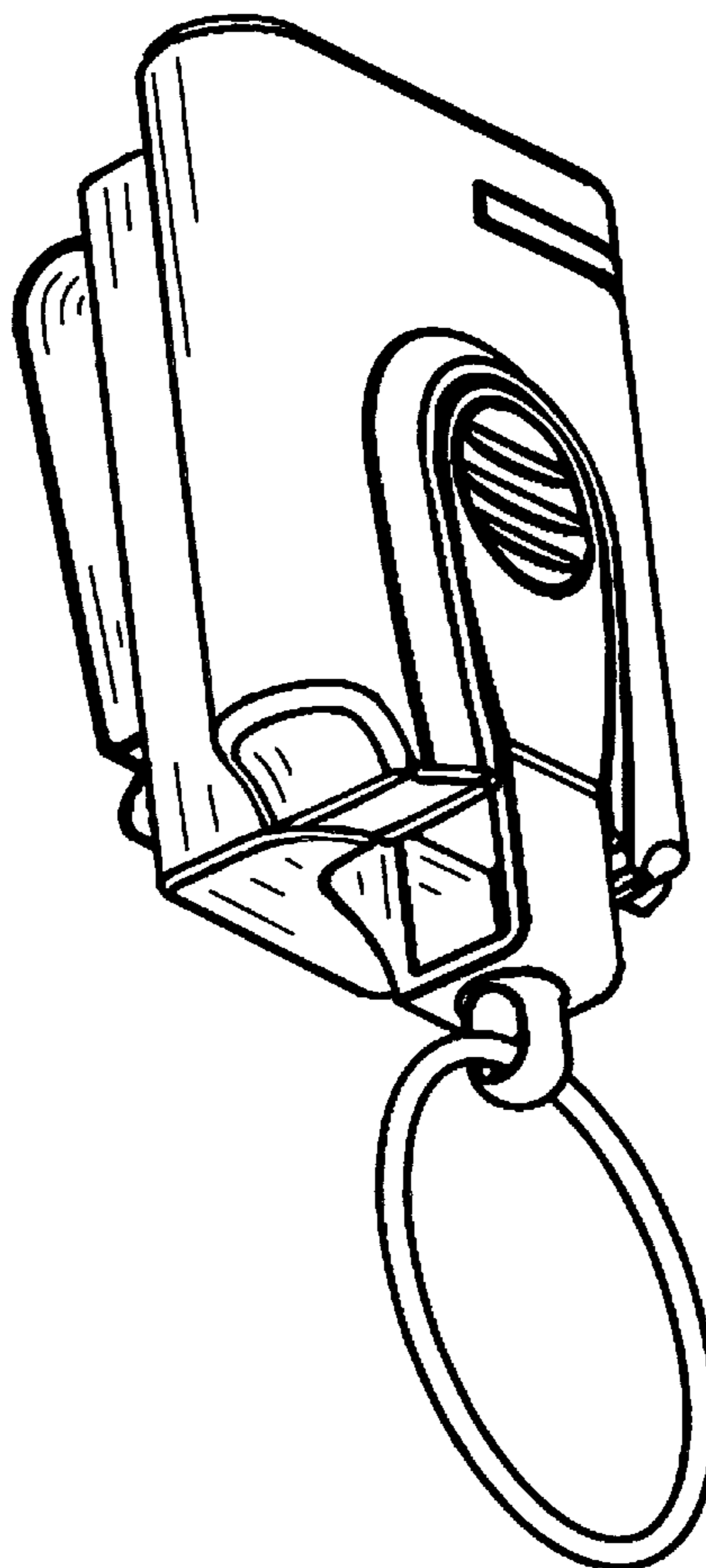
(57) **CLAIM**

The ornamental design for a key ring device, as shown and described.

DESCRIPTION

FIG. 1 is a bottom front perspective view of a key ring device, showing my new design;
FIG. 2 is a top rear view thereof;
FIG. 3 is a rear view thereof;
FIG. 4 is a front view thereof;
FIG. 5 is a first side view thereof;
FIG. 6 is a second side view thereof;
FIG. 7 is a top view thereof; and,
FIG. 8 is a bottom view thereof.

1 Claim, 7 Drawing Sheets



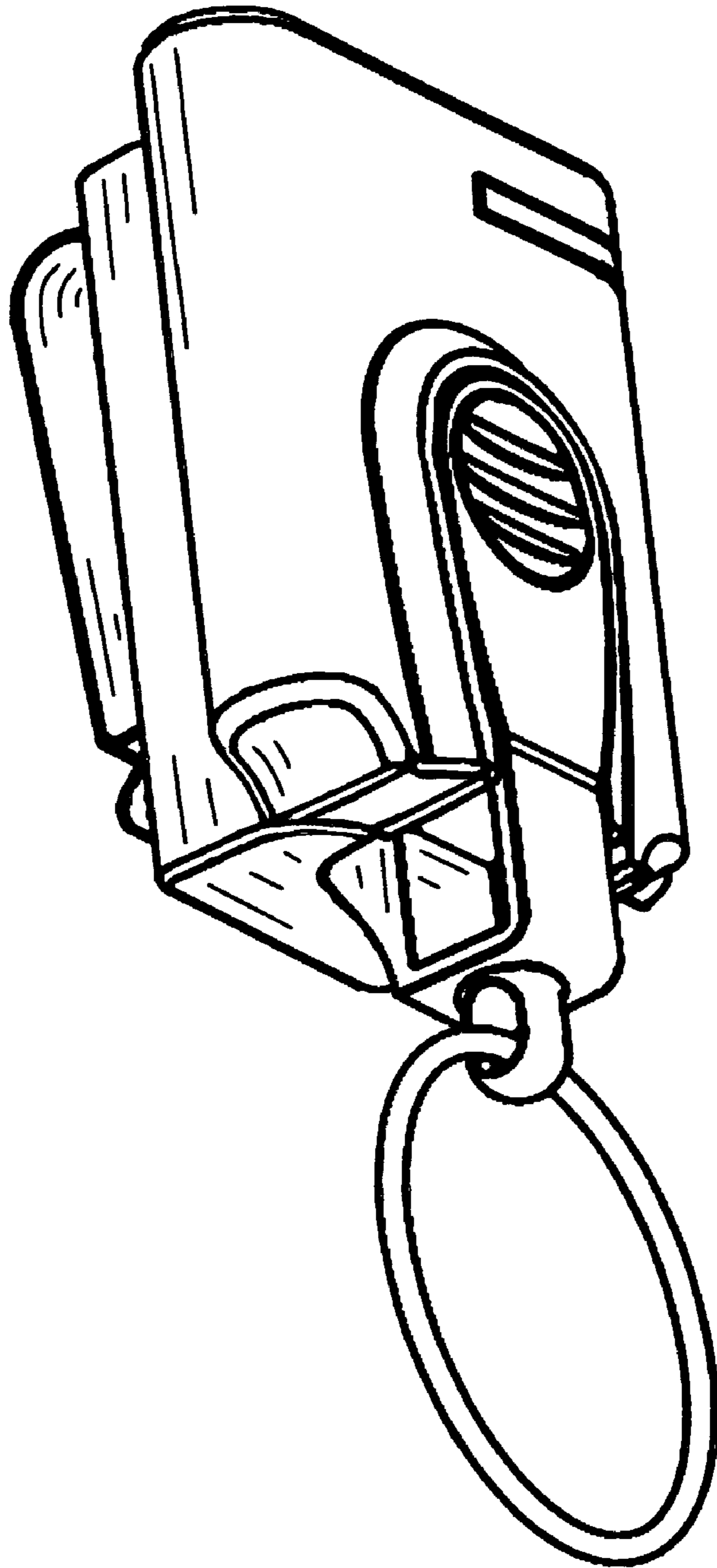


FIG. 1

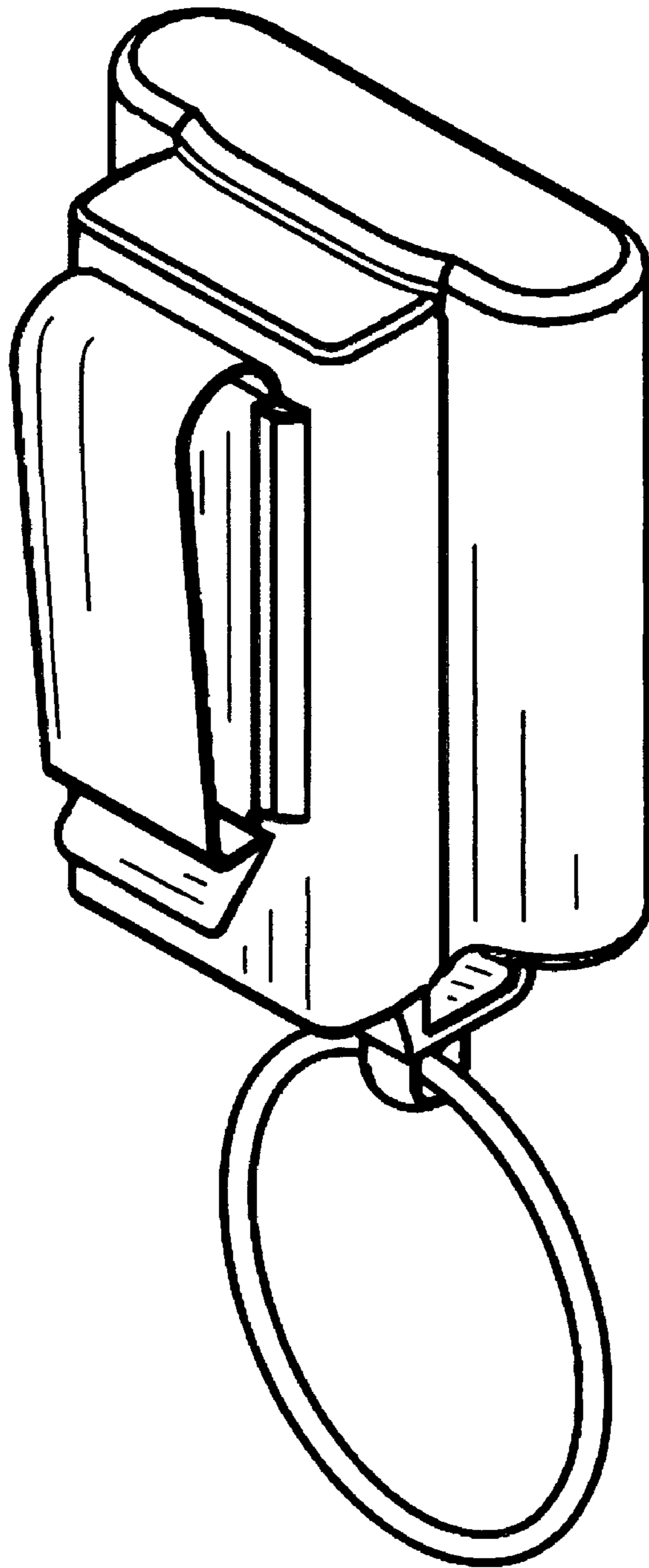


FIG. 2

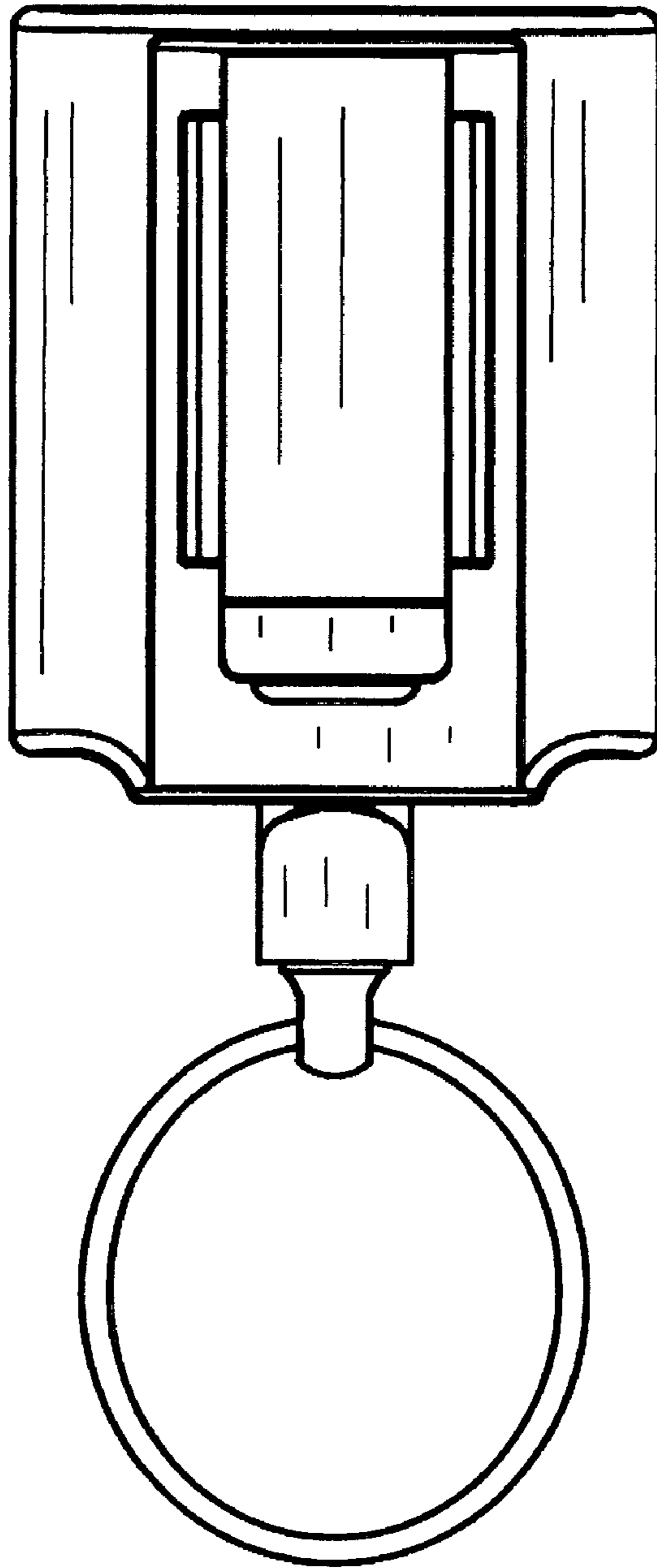


FIG. 3

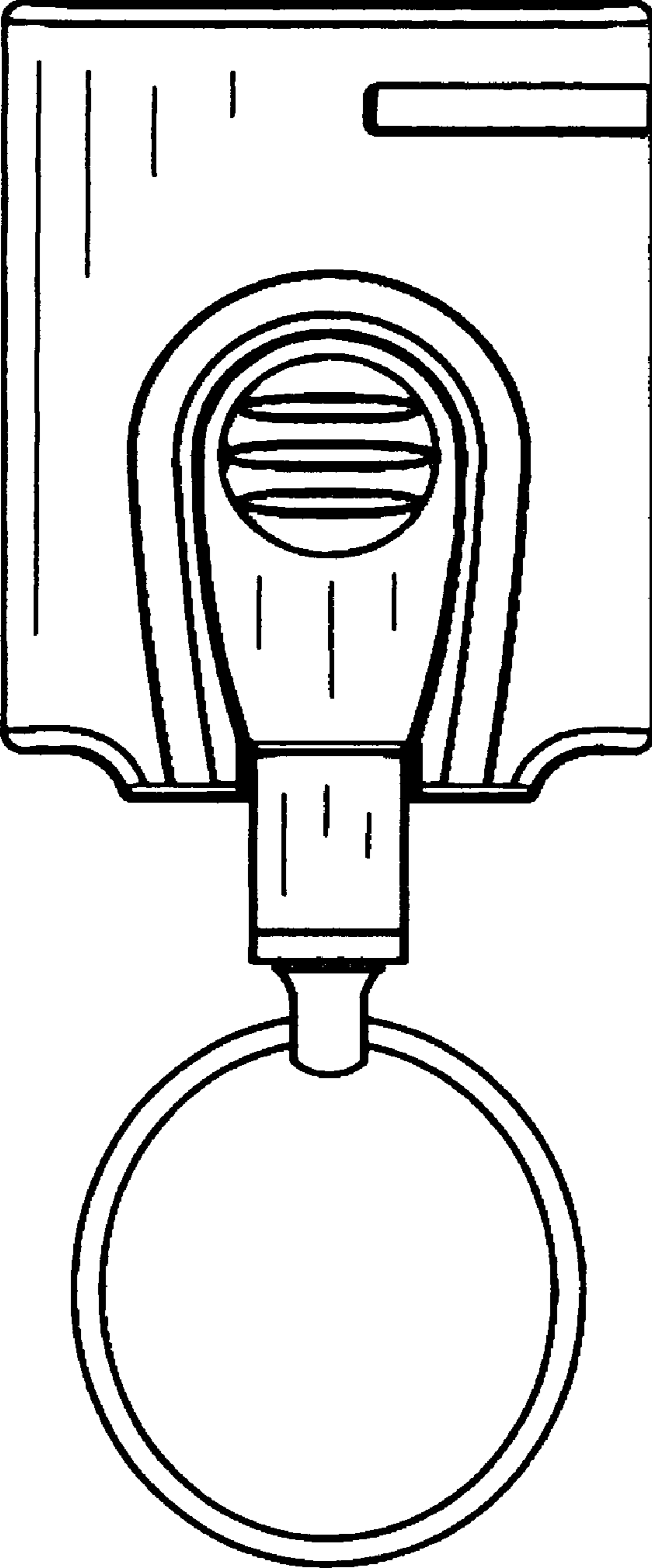


FIG. 4

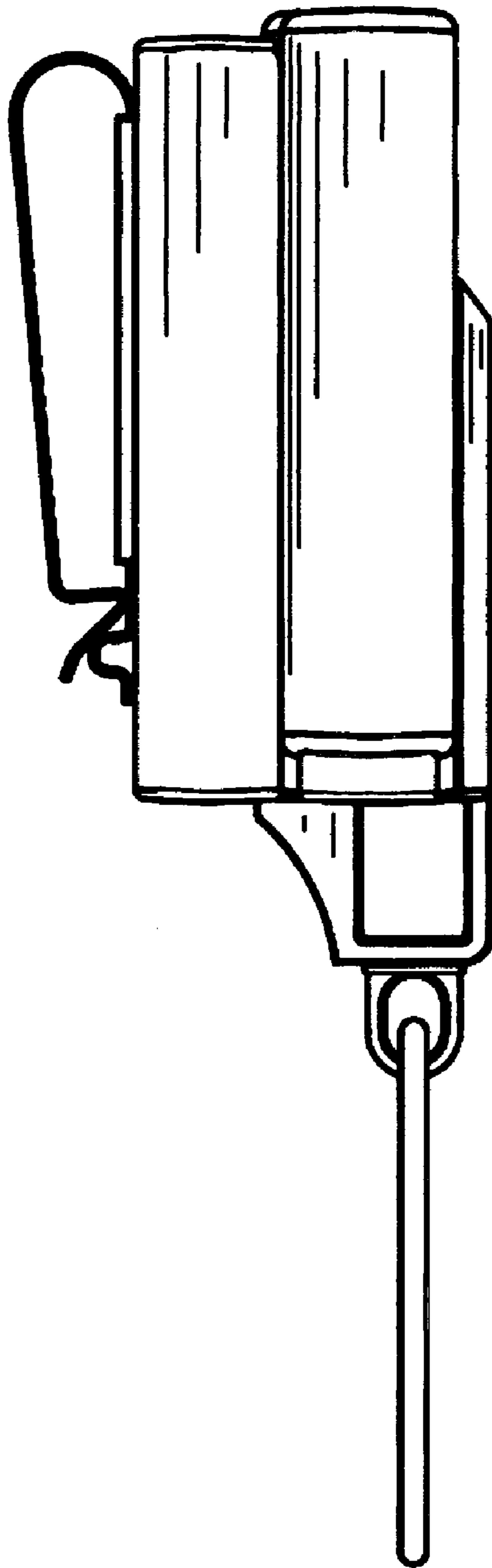


FIG. 5

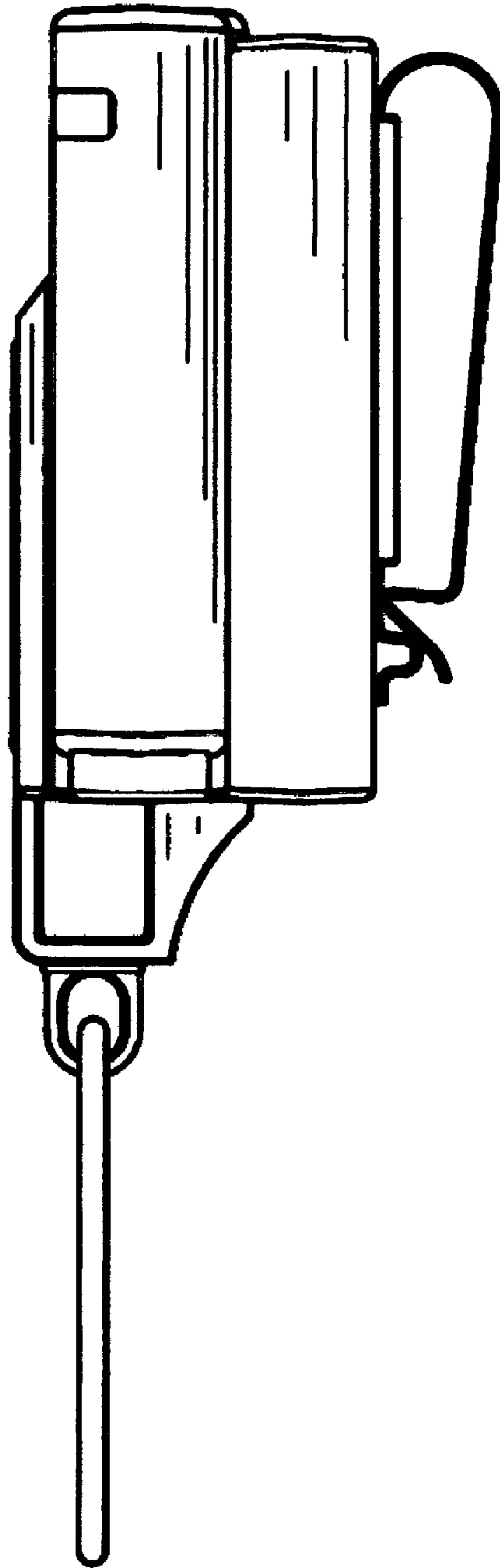


FIG. 6

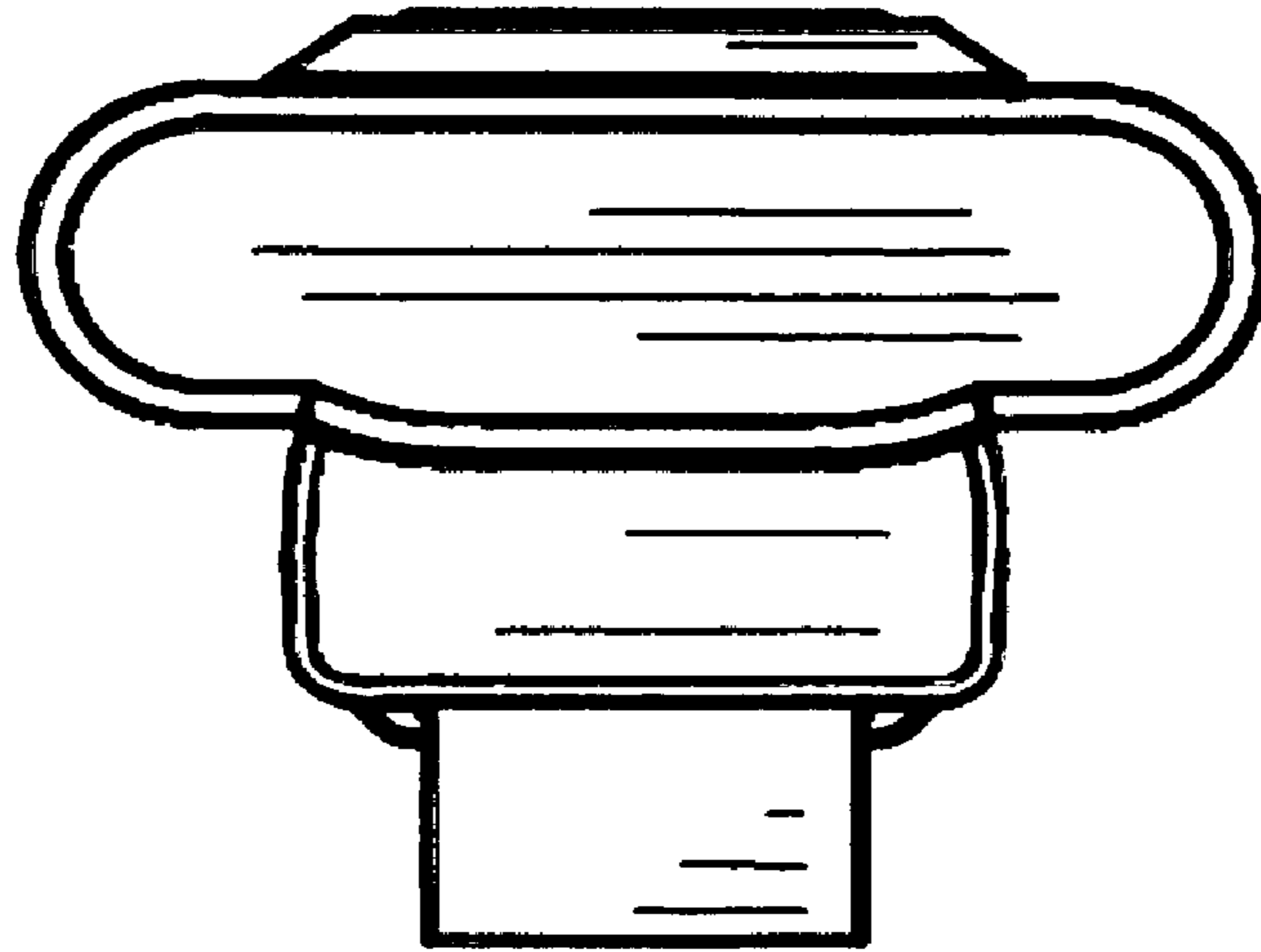


FIG. 7

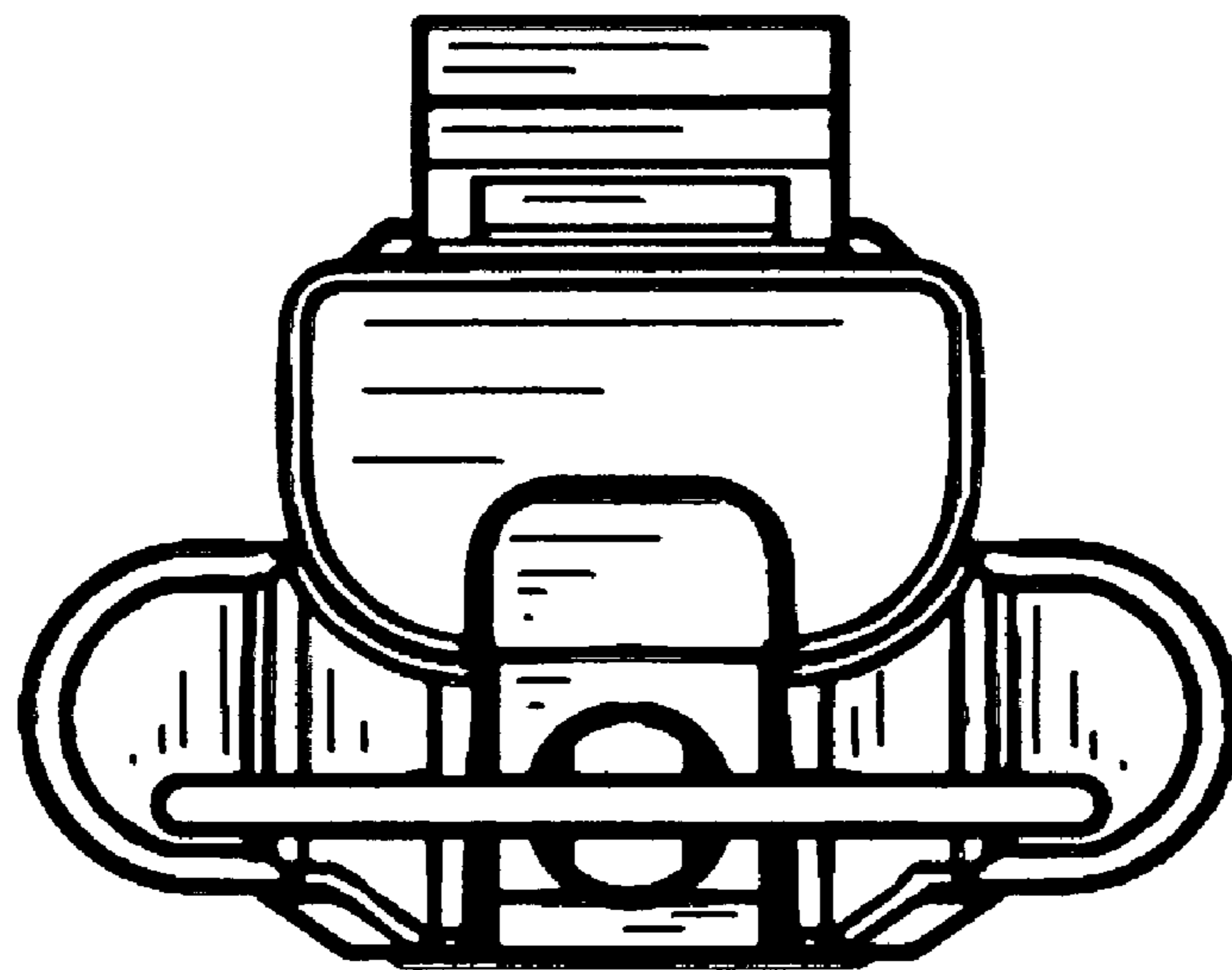


FIG. 8