

US00D666402S

(12) **United States Design Patent**
Healy et al.

(10) **Patent No.:** **US D666,402 S**

(45) **Date of Patent:** **** Sep. 4, 2012**

(54) **SUSPENSION HEEL**

(75) Inventors: **John Healy**, Madbury, NH (US); **Peter Dillon**, Topsfield, MA (US); **Christopher Adam**, Newburyport, MA (US)

(73) Assignee: **The Timberland Company**, Stratham, NH (US)

(**) Term: **14 Years**

(21) Appl. No.: **29/376,693**

(22) Filed: **Oct. 11, 2010**

(51) **LOC (9) Cl.** **02-04**

(52) **U.S. Cl.** **D2/965**

(58) **Field of Classification Search** D2/896,
D2/918, 925, 926, 927, 928, 929, 930, 931,
D2/932-942, 946, 947, 948, 949, 950, 964,
D2/965, 966, 967, 968; 36/83, 131, 34 R,
36/35 R, 36 R, 36 A, 36 B, 36 C, 37, 38,
36/35 A, 35 B, 39, 40, 41, 42, 34 A, 34 B

See application file for complete search history.

(56) **References Cited**

U.S. PATENT DOCUMENTS

D99,700	S	*	5/1936	Calderazzo	D2/966
D110,122	S	*	6/1938	Liff	D2/966
2,288,388	A	*	6/1942	Bolten et al.	36/34 A
2,328,319	A	*	8/1943	Barton	36/34 A
2,934,840	A	*	5/1960	Mistarz	36/34 R
D201,863	S	*	8/1965	Goldberg	D2/965
D258,549	S	*	3/1981	Goldman	D2/966
D258,620	S	*	3/1981	Goldman	D2/966
D258,621	S	*	3/1981	Goldman	D2/966

(Continued)

FOREIGN PATENT DOCUMENTS

KR 20-1993-0000117 1/1993

OTHER PUBLICATIONS

International Search Report and Written Opinion for PCT/US2011/055762 mailed May 11, 2012.

Primary Examiner — Elizabeth J Oswecki

(74) *Attorney, Agent, or Firm* — Lerner, David, Littenberg, Krumholz & Mentlik, LLP

(57) **CLAIM**

The ornamental design for a suspension heel, as shown and described.

DESCRIPTION

FIG. 1 is a perspective view of a suspension heel showing our new design;

FIG. 2 is a front elevation view of the suspension heel of FIG. 1;

FIG. 3 is a rear elevation view of the suspension heel of FIG. 1;

FIG. 4 is a left side elevation view of the suspension heel of FIG. 1, the right side being a mirror image of the left side;

FIG. 5 is a top plan view of the suspension heel of FIG. 1;

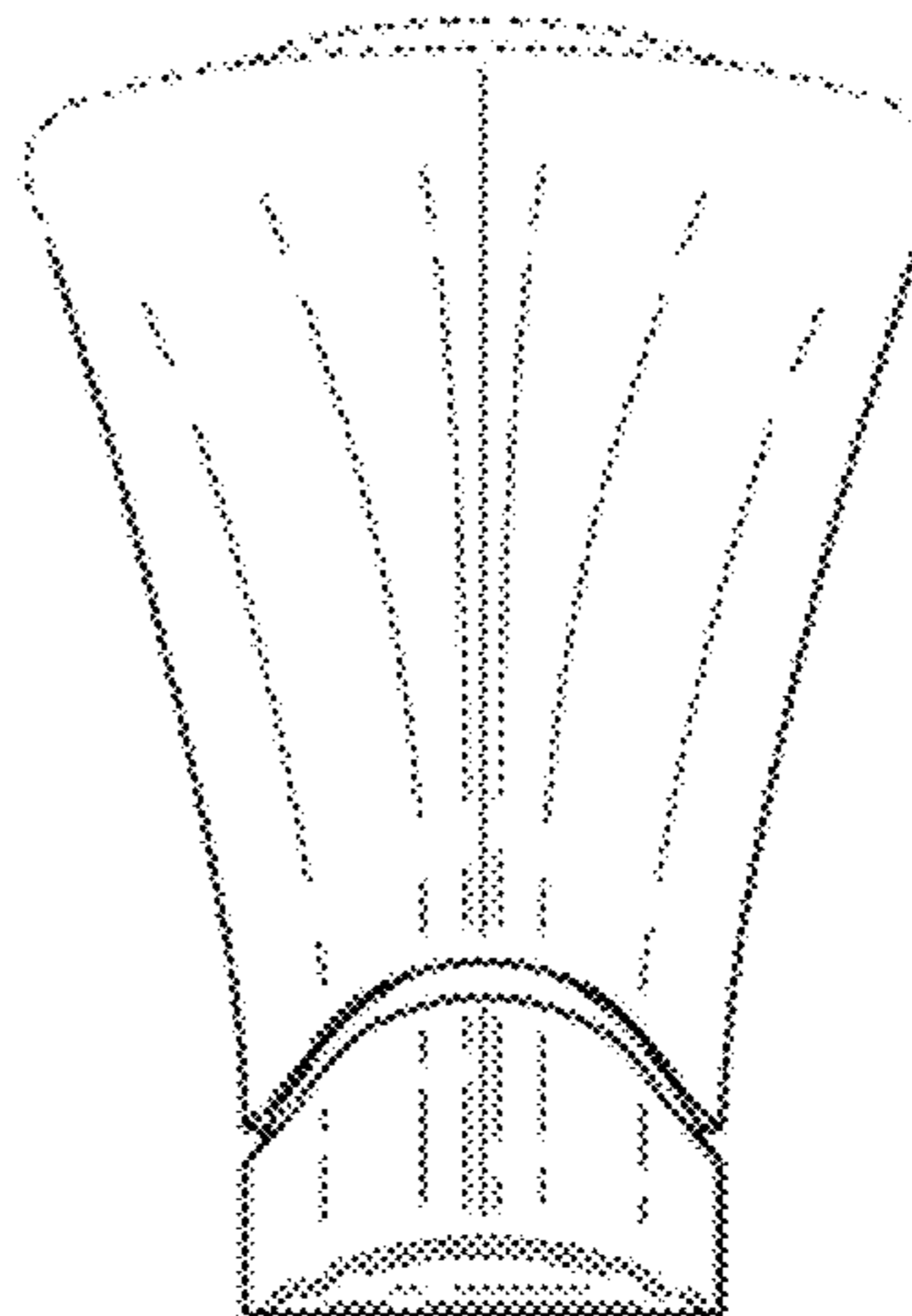
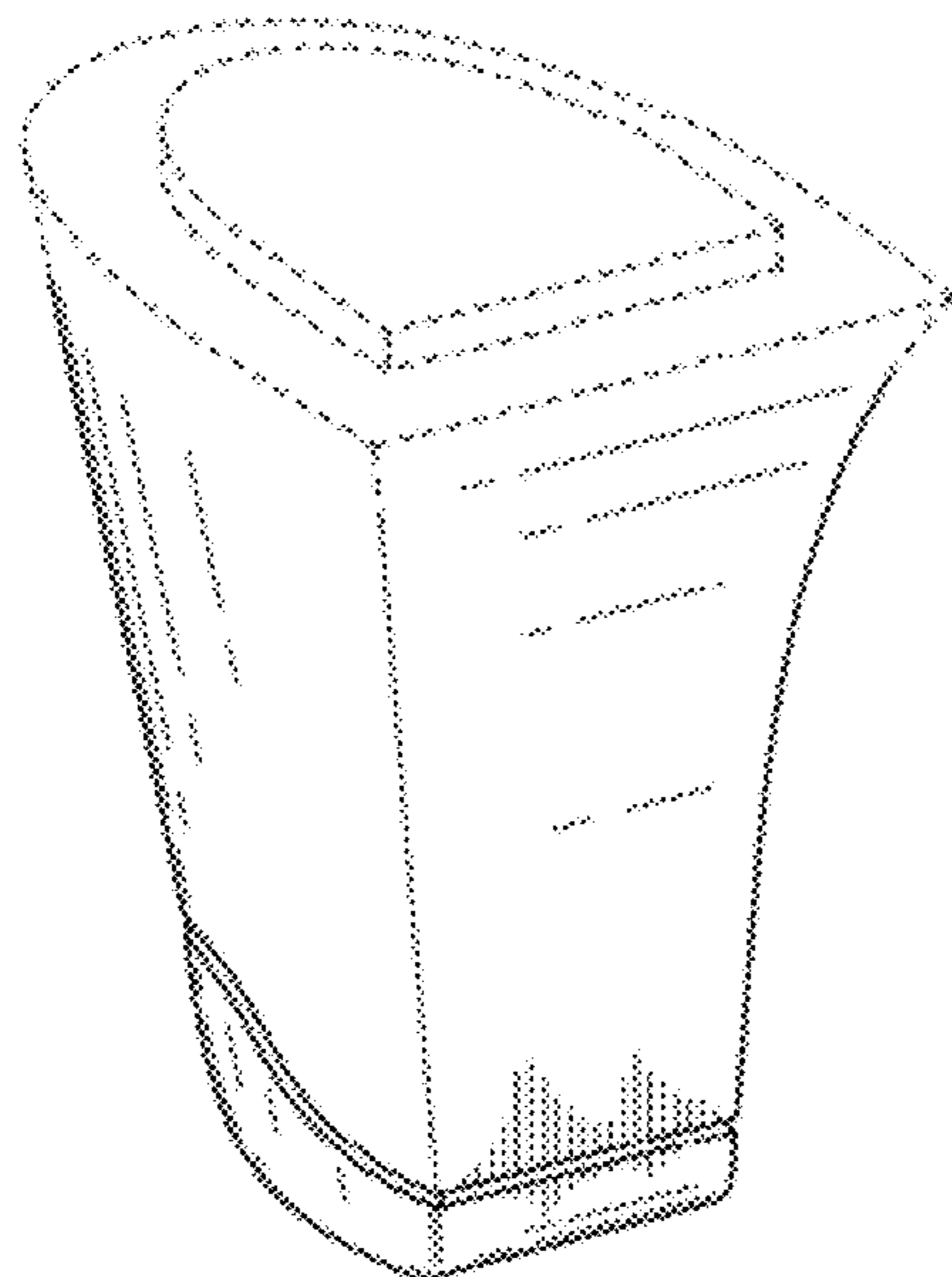
FIG. 6 is a bottom plan view of the suspension heel of FIG. 1;

FIG. 7 is a right side perspective view of the suspension heel of FIG. 1 shown in a used condition; and,

FIG. 8 is a right side elevation view of the suspension heel of FIG. 1 shown in a used condition.

The broken lines shown in the drawings represent portions of the suspension heel that form no part of the claimed design.

1 Claim, 4 Drawing Sheets



US D666,402 S

Page 2

U.S. PATENT DOCUMENTS

D347,937 S *	6/1994	Garland	D2/965	D631,647 S *	2/2011	Hipshman	D2/965
7,059,068 B2	6/2006	Magallanes et al.		D647,291 S *	10/2011	Ringholz	D2/965
D605,840 S *	12/2009	Schwartz	D2/965	2009/0133291 A1	5/2009	Frasconi et al.	
D612,590 S *	3/2010	Guers-Neyraud	D2/965	2009/0139111 A1	6/2009	Joseph	

* cited by examiner

FIG. 1

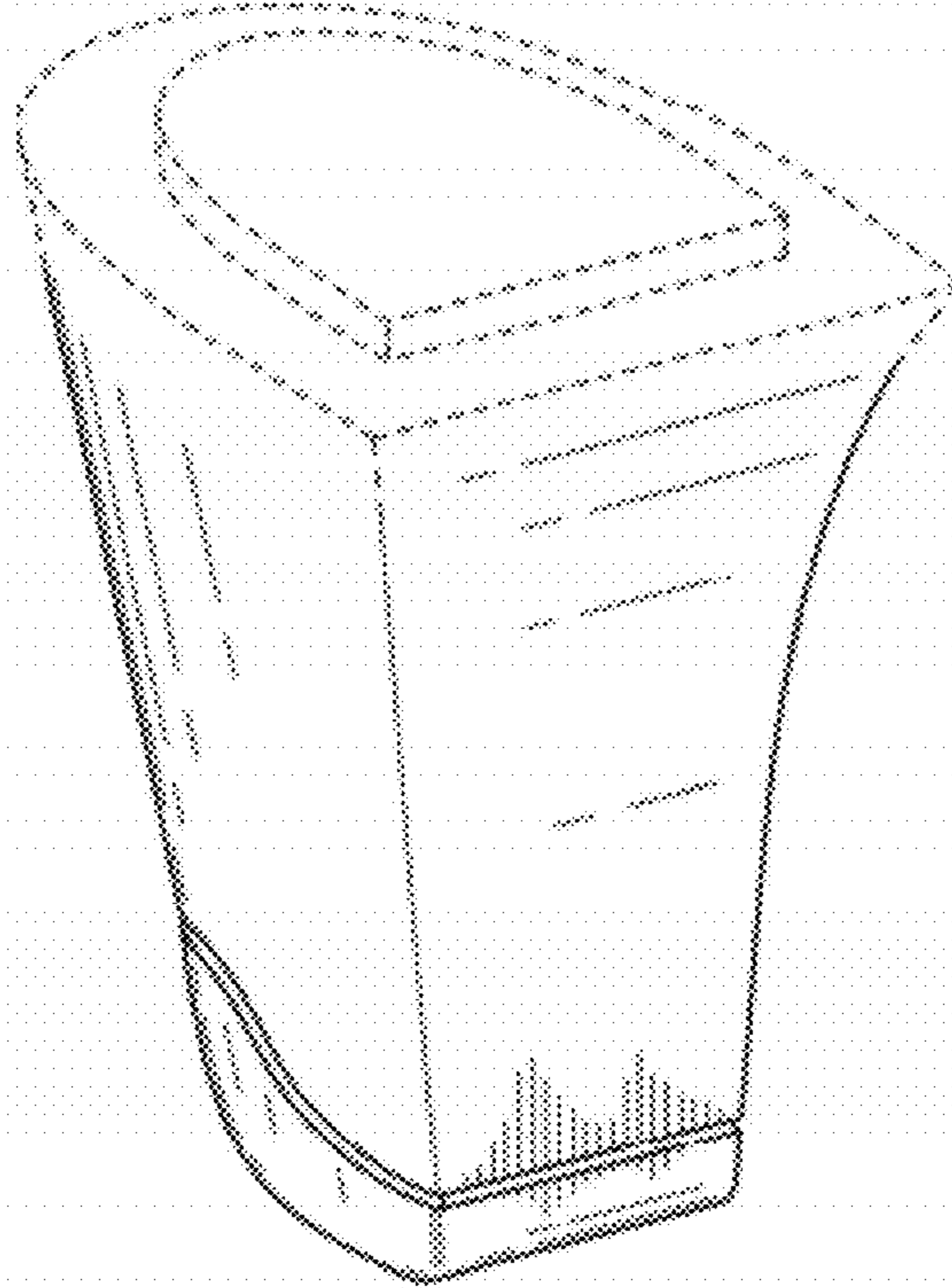


FIG. 2

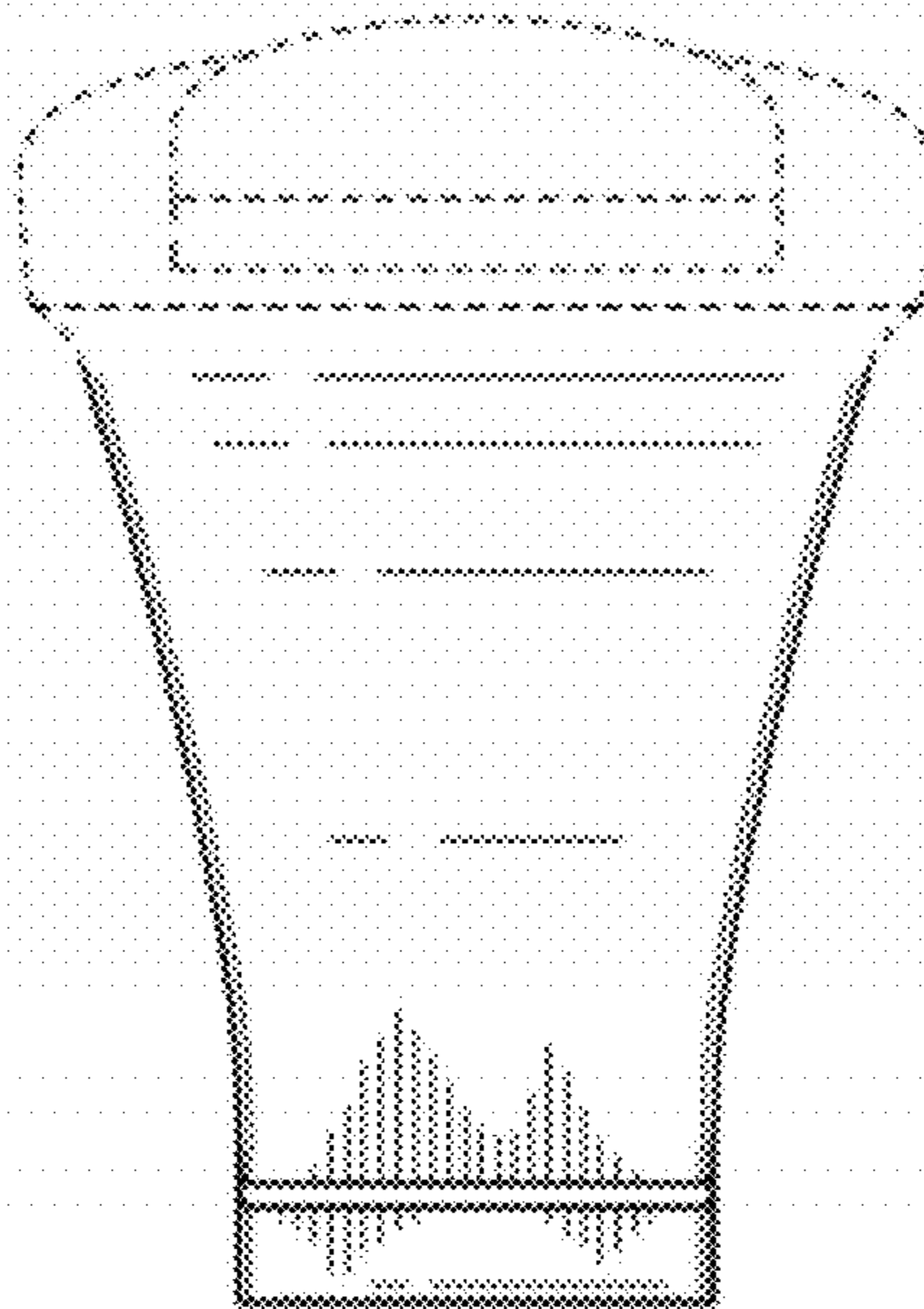


FIG. 3

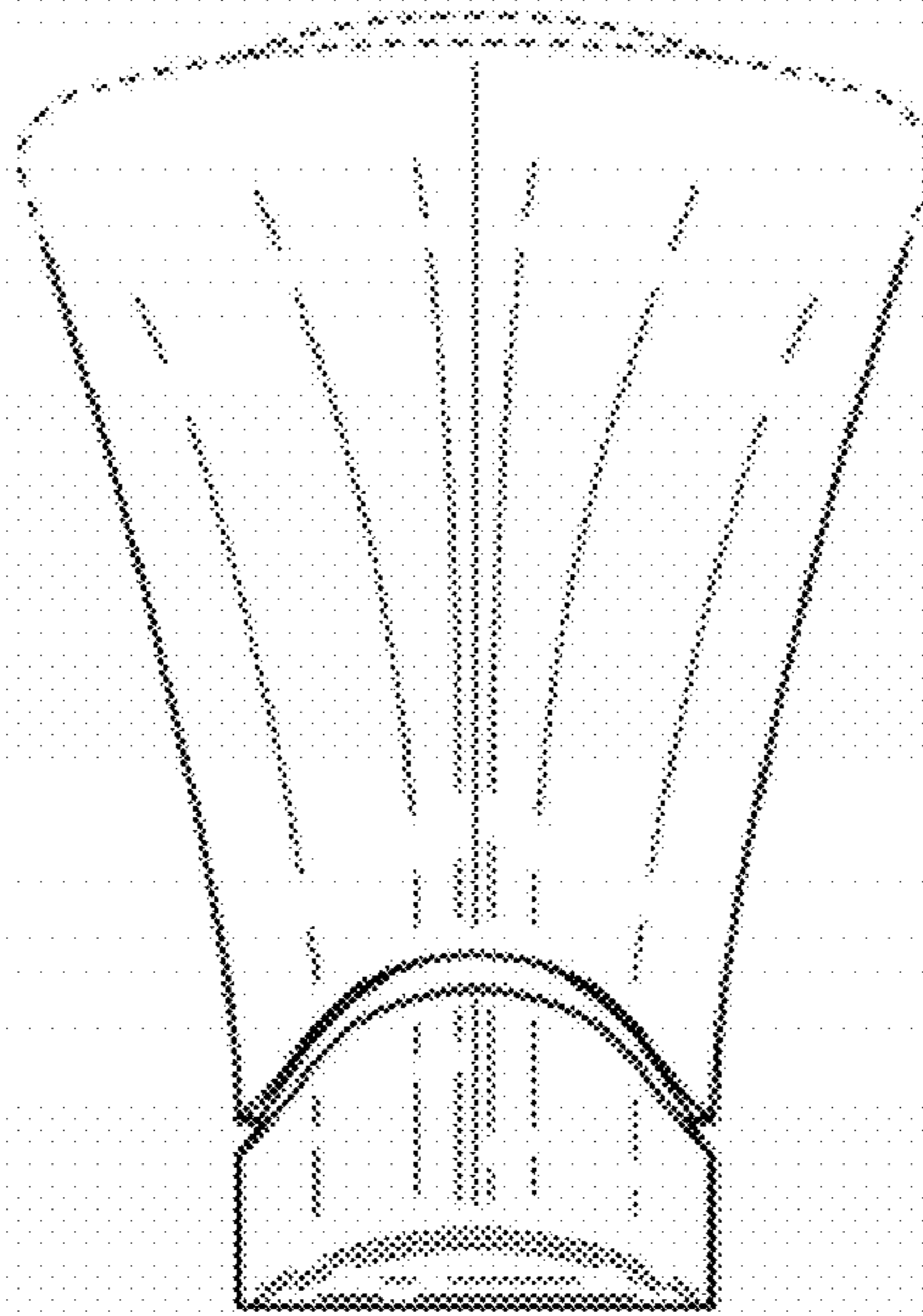


FIG. 4

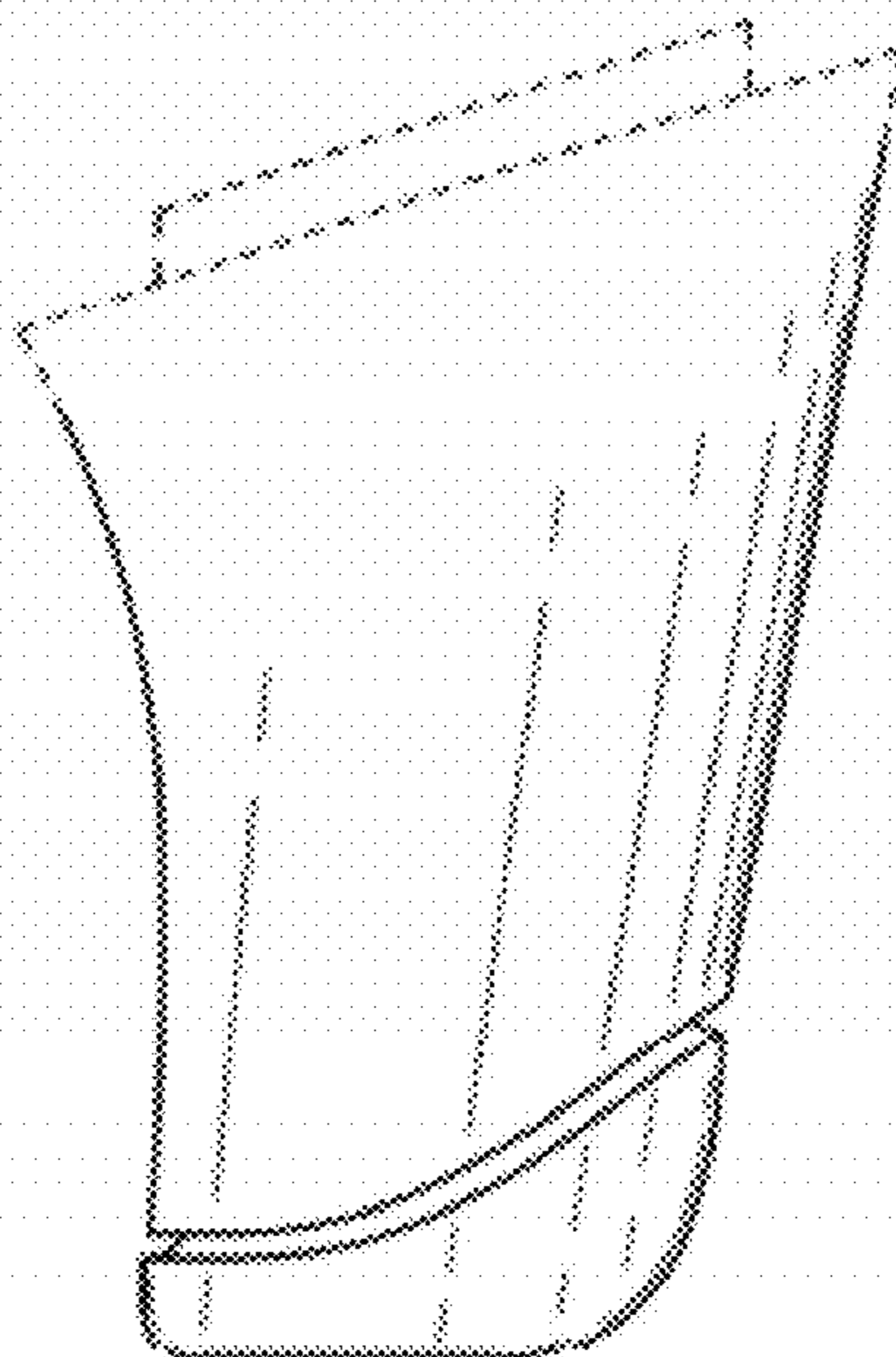


FIG. 5

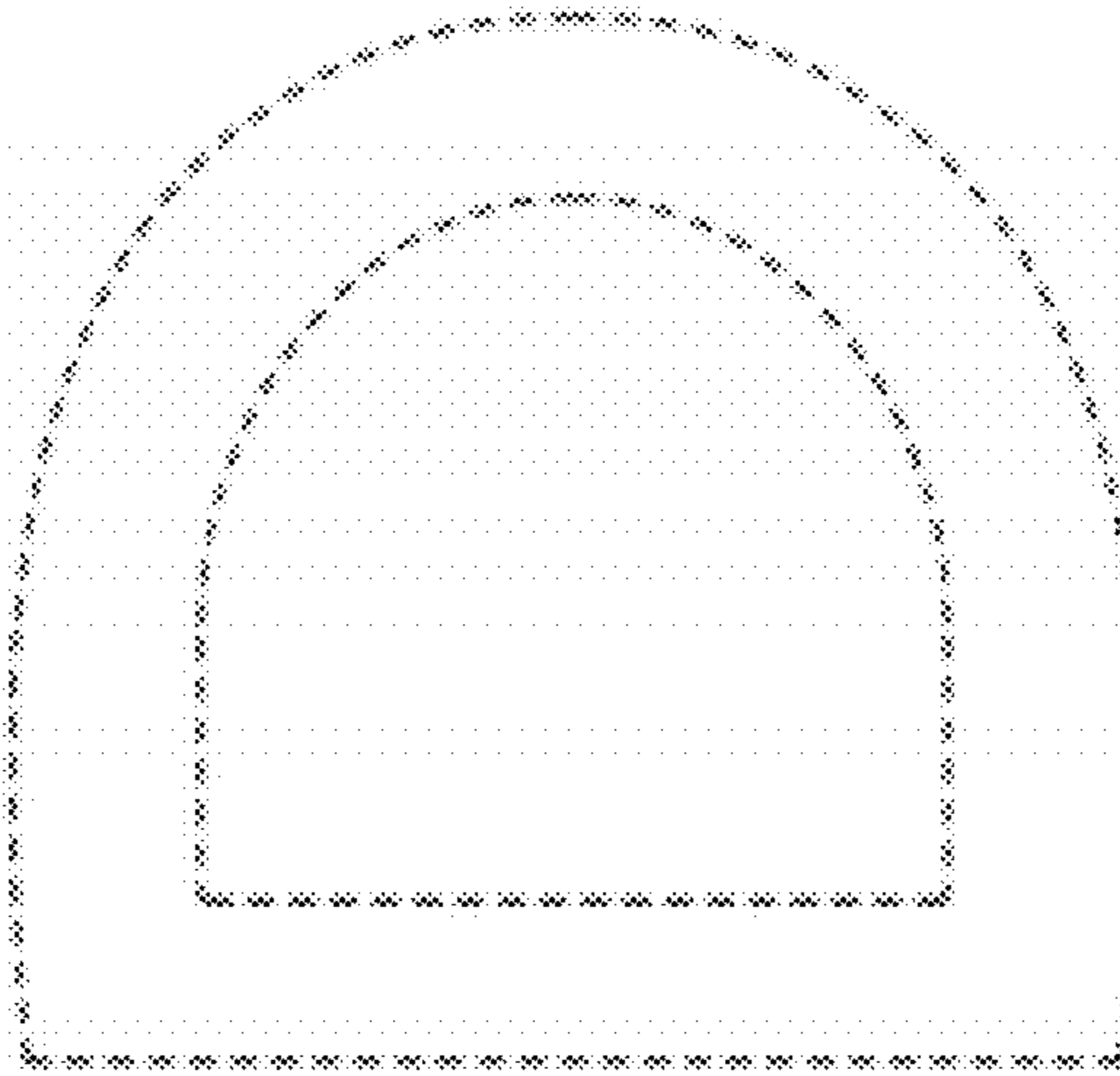


FIG. 6

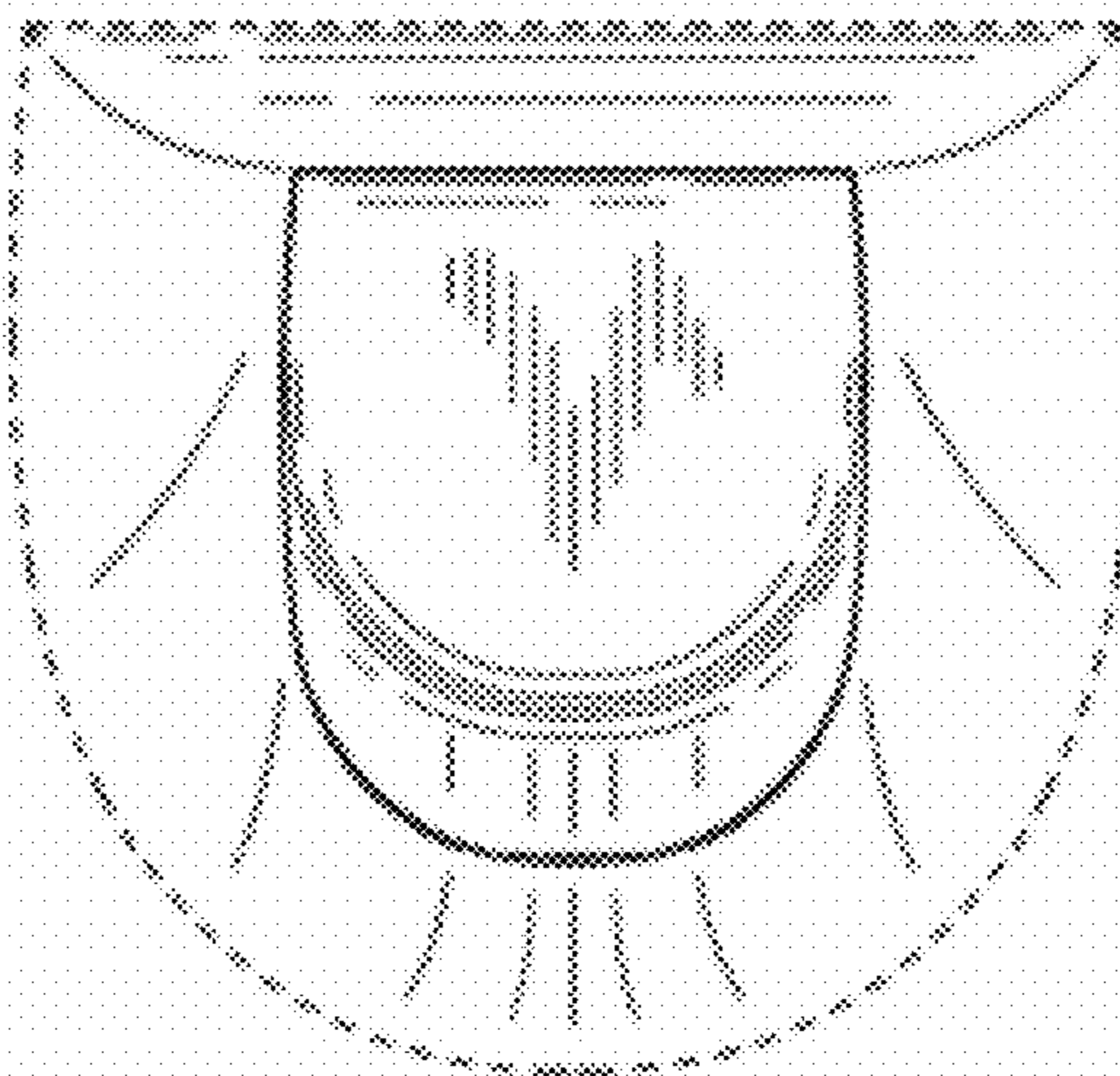


FIG. 7

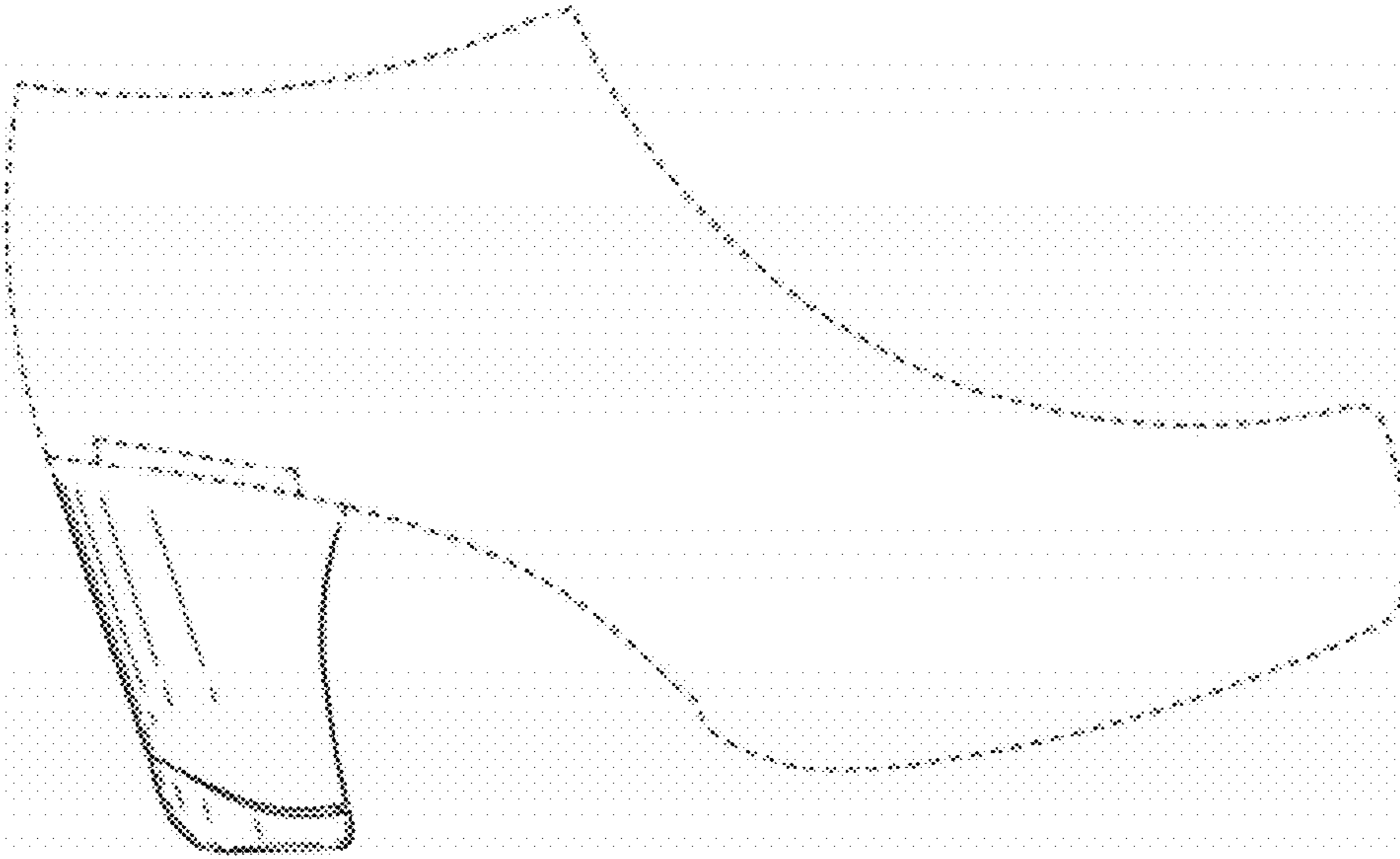


FIG. 8

