

US00D666381S

(12) **United States Design Patent**
Kim

(10) **Patent No.:** **US D666,381 S**
(45) **Date of Patent:** **** Sep. 4, 2012**

(54) **TIE AND HANDKERCHIEF RETAIL COMBINATION**

(75) Inventor: **Cin Kim**, Alpine, NJ (US)

(73) Assignee: **Peacock Apparel Group, Inc.**, New York, NY (US)

(**) Term: **14 Years**

(21) Appl. No.: **29/398,693**

(22) Filed: **Aug. 3, 2011**

(51) **LOC (9) Cl.** **02-05**

(52) **U.S. Cl.** **D2/605; D2/501; D9/721**

(58) **Field of Classification Search** D2/600,
D2/601, 602, 603, 604, 605, 606, 607, 608,
D2/609; D6/315; D9/702, 711, 721, 722,
D9/414, 415, 457; 2/130, 144, 145, 146,
2/147, 148, 149, 150, 151, 152.1, 153, 154,
2/155, 156, 157; 206/278, 288, 289, 292,
206/495; 223/85, 87, 88; 248/340

See application file for complete search history.

(56) **References Cited**

U.S. PATENT DOCUMENTS

698,266	A	4/1902	Elliott	
982,948	A	1/1911	Griesemer	
1,005,835	A *	10/1911	Hill	2/146
1,125,793	A *	1/1915	Barnes	2/150
1,163,308	A *	12/1915	Bachrach	2/148
1,253,457	A	1/1918	Atkinson	
1,862,353	A	6/1932	Allison	
1,878,604	A *	9/1932	Rodeback	2/150
1,995,864	A *	3/1935	Reinhold	206/278
2,063,255	A	12/1936	Kim	
2,093,830	A	9/1937	Flatley	
2,233,207	A	2/1941	Gillam	
2,626,735	A *	1/1953	Gwinn et al.	223/87
2,656,543	A *	10/1953	Cohan	2/146
D171,897	S *	4/1954	La Barre	D6/315
2,889,934	A *	6/1959	Vidach	223/85
2,907,045	A	10/1959	O'Reilly	
D189,899	S *	3/1961	Levine	D6/315

3,032,242	A *	5/1962	Roberts	223/87
3,043,494	A	7/1962	Kim	
3,060,448	A	10/1962	Mongelli	
3,066,792	A	12/1962	Spilman	
3,069,009	A *	12/1962	Hoeflich	206/284
D202,316	S *	9/1965	Pehr	D6/315
3,204,838	A *	9/1965	Pulitzer	223/87
3,208,081	A *	9/1965	Scully	2/150
3,243,087	A *	3/1966	Pulitzer	223/87
3,308,935	A	3/1967	Cote	
3,346,881	A	10/1967	Mathison	
3,363,264	A	1/1968	Mathison	
3,370,765	A *	2/1968	Jossem	223/87

(Continued)

OTHER PUBLICATIONS

U.S. Appl. No. 29/326,598, filed Oct. 21, 2008, Kim.

(Continued)

Primary Examiner — Karen E Eldridge Powers
(74) *Attorney, Agent, or Firm* — Leason Ellis LLP

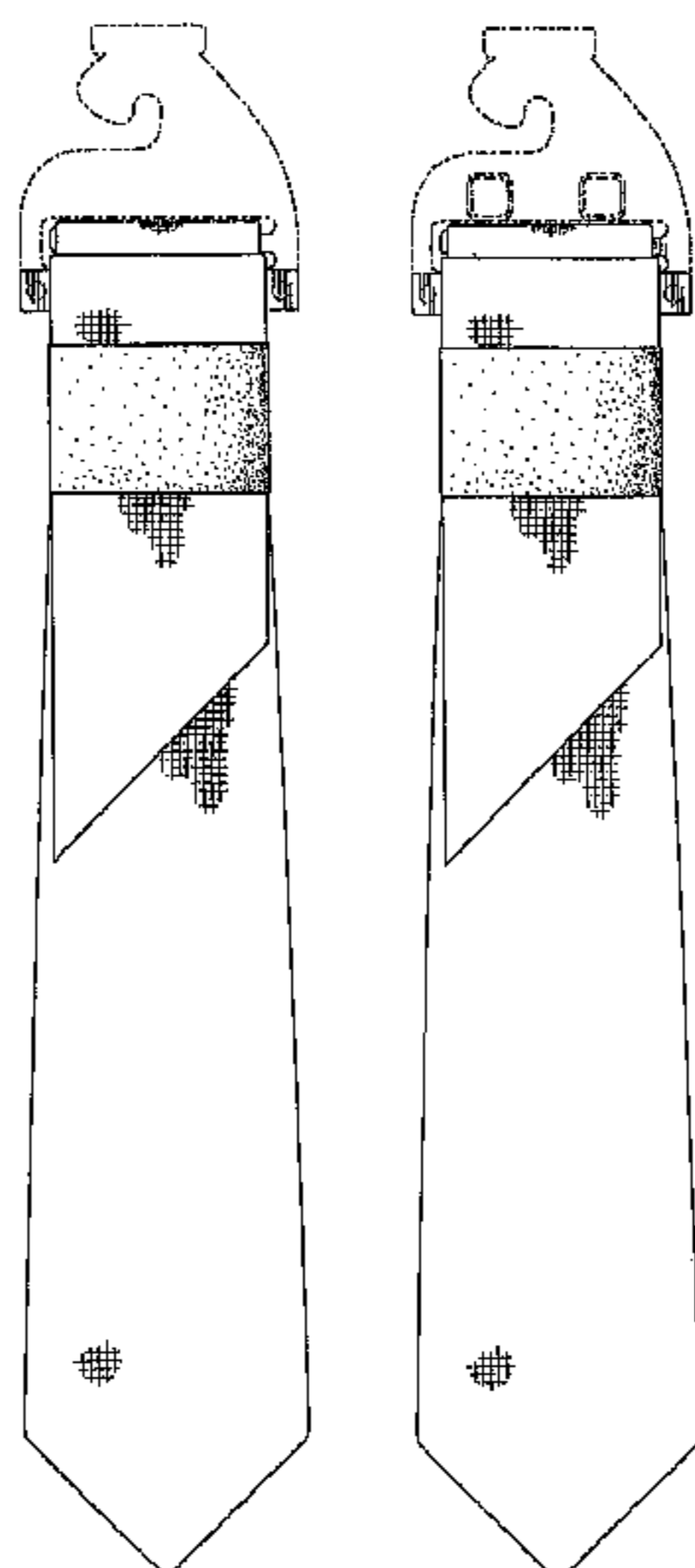
(57) **CLAIM**

The ornamental design for a tie and handkerchief retail combination, as shown and described.

DESCRIPTION

FIG. 1 is a front perspective view of a tie and handkerchief retail combination showing my new design; FIG. 2 is a front elevation view thereof; FIG. 3 is a rear elevation view thereof; FIG. 4 is a left side view thereof; FIG. 5 is a front elevation view of a tie and handkerchief retail combination showing my new design; FIG. 6 is a rear elevation view thereof; and, FIG. 7 is a left side elevation view thereof. The hanger shown in broken lines in the drawings, and the interior sides of the tie and handkerchief shown in broken lines in FIGS. 4 and 7 are portions of the tie and handkerchief retail combination that form no part of the claimed design.

1 Claim, 3 Drawing Sheets



US D666,381 S

Page 2

U.S. PATENT DOCUMENTS

D211,445	S	*	6/1968	Klaus	D2/605	6,901,636	B2	6/2005	Kim
3,456,853	A	*	7/1969	Hodge	223/87	6,978,518	B2	12/2005	Kim
3,506,978	A		4/1970	Santona			7,096,509	B2	8/2006	Kim
3,511,364	A		5/1970	Airido			7,114,220	B2	10/2006	Kim
3,670,881	A		6/1972	Dutcher			D546,674	S	7/2007	Limber
3,790,045	A	*	2/1974	Rigel et al.	223/87	D553,495	S	10/2007	Vandecasteele et al.
3,890,678	A		6/1975	Leonard			7,310,857	B2	12/2007	Kim
3,964,105	A		6/1976	Gideon			D565,965	S	4/2008	Kim
3,999,222	A		12/1976	Walborn			D565,966	S	4/2008	Kim
4,046,253	A		9/1977	Weaver			D574,723	S	8/2008	Kim
4,173,792	A		11/1979	Intengan			D574,724	S	8/2008	Kim
4,182,224	A		1/1980	Dutcher			D574,725	S	8/2008	Kim
D259,164	S	*	5/1981	Abramowitz	D6/315	D574,726	S	8/2008	Kim
D261,479	S		10/1981	Kim			D574,727	S	8/2008	Kim
4,546,494	A		10/1985	Garber			D574,728	S	8/2008	Kim
4,590,610	A		5/1986	Rhyne			D574,730	S	8/2008	Kim
4,667,346	A		5/1987	Strollo			7,441,678	B2	* 10/2008	Ford et al. 223/87
4,762,272	A		8/1988	Kim			D589,364	S	3/2009	Kim
D299,383	S	*	1/1989	Rosenbaum	D2/605	D589,365	S	3/2009	Kim
4,856,709	A		8/1989	Axelsson et al.			D589,366	S	3/2009	Kim
4,930,692	A	*	6/1990	Smilow et al.	223/85	D589,367	S	3/2009	Kim
4,933,991	A		6/1990	Love			D590,724	S	4/2009	Kim
5,002,220	A		3/1991	Safranski			D590,725	S	4/2009	Kim
5,222,638	A	*	6/1993	Kolton et al.	223/87	D590,726	S	4/2009	Kim
D343,356	S		1/1994	Kim			D593,872	S	6/2009	Kim
D346,960	S		5/1994	Bennett			D593,873	S	6/2009	Kim
5,316,139	A		5/1994	Judd et al.			D595,151	S	6/2009	Kim
5,328,065	A	*	7/1994	Kolton et al.	223/85	D596,951	S	7/2009	Kim
D349,181	S		8/1994	Cheng			D596,952	S	7/2009	Kim
5,499,484	A		3/1996	Herrin			7,621,393	B2	11/2009	Kim
D368,588	S		4/1996	Goraleski et al.			D606,883	S	12/2009	Kim
5,549,243	A		8/1996	Dorier et al.			7,757,306	B2	* 7/2010	Mattioli 2/144
5,620,118	A	*	4/1997	Kolton et al.	223/85	7,874,423	B2	* 1/2011	Chang 206/292
5,673,434	A		10/1997	Risk			2005/0067443	A1	3/2005	Kim
D390,339	S		2/1998	Dipietro			2007/0045131	A1	3/2007	Kim
5,774,893	A		7/1998	Torres			2009/0032434	A1	2/2009	Kim
5,826,760	A	*	10/1998	Kolton et al.	223/85	2010/0025269	A1	2/2010	Kim
6,041,998	A		3/2000	Goldberg et al.						
6,102,279	A		8/2000	Dowd						
6,105,833	A	*	8/2000	Najarian	223/85				
6,126,000	A		10/2000	Tung						
6,142,365	A		11/2000	Breitbach						
6,209,136	B1	*	4/2001	Ophardt	2/145				
6,460,189	B1		10/2002	Welch						
6,499,590	B1		12/2002	Godshaw et al.						
D481,191	S	*	10/2003	Mattioli	D2/605				
D492,595	S		7/2004	Chang						

OTHER PUBLICATIONS

U.S. Appl. No. 13/021,396, filed Feb. 4, 2011, Kim.
 U.S. Appl. No. 29/385,437, filed Feb. 14, 2011, Kim.
 U.S. Appl. No. 29/387,125, filed Mar. 9, 2011, Kim.
 U.S. Appl. No. 29/385,439, filed Feb. 14, 2011, Kim.
 U.S. Appl. No. 29/385,441, filed Feb. 14, 2011, Kim.
 U.S. Appl. No. 29/386,671, filed Mar. 3, 2011, Kim.

* cited by examiner

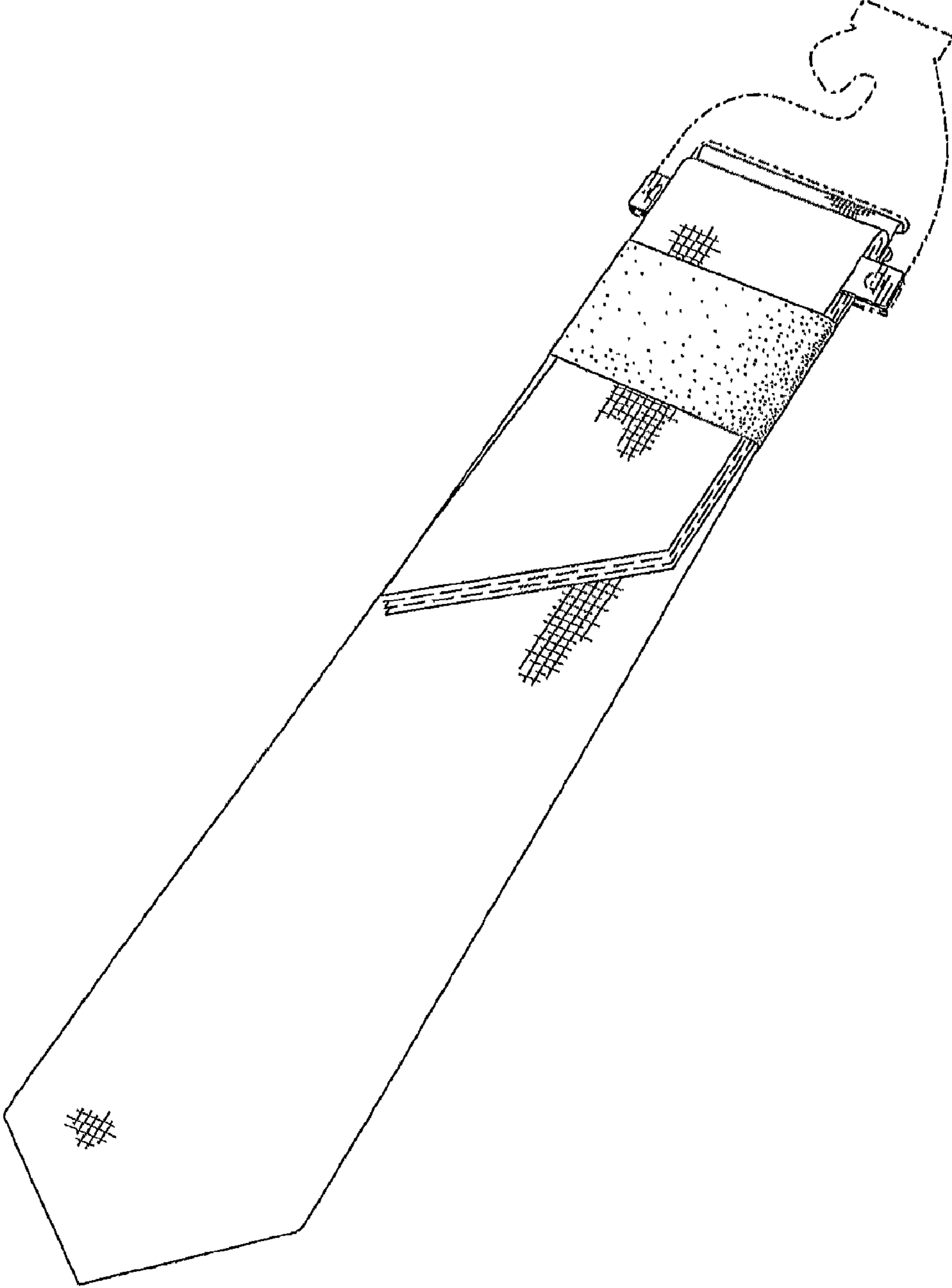


Fig. 1

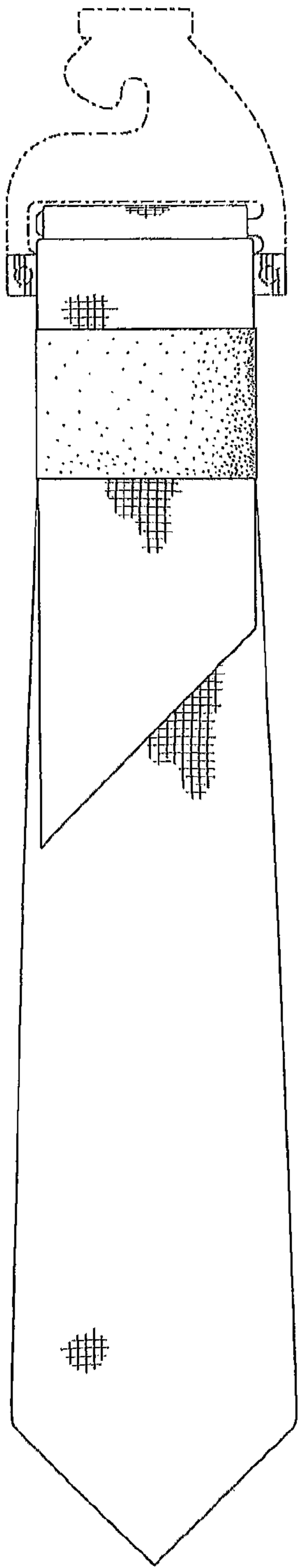


Fig. 2

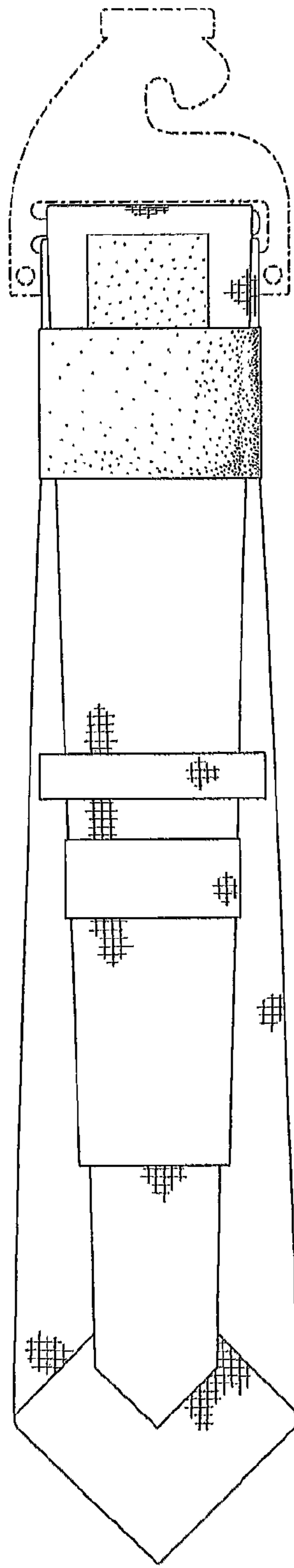


Fig. 3



Fig. 4

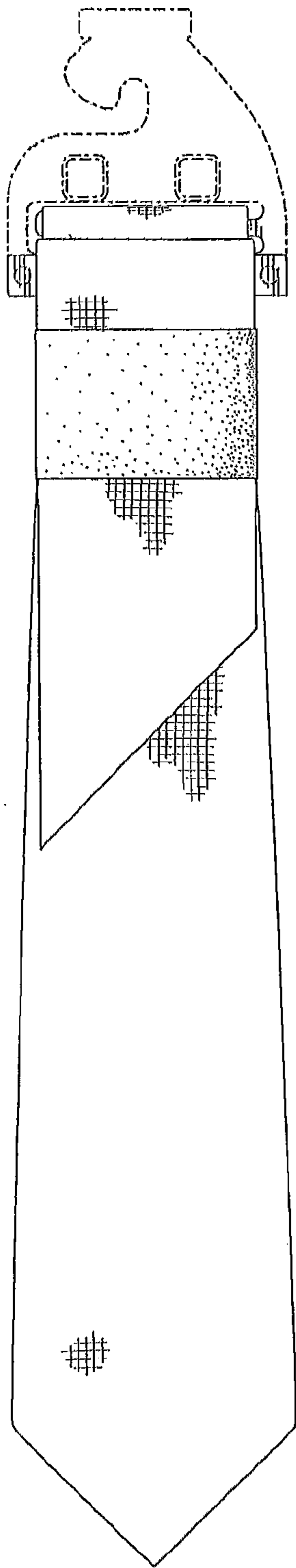


Fig. 5

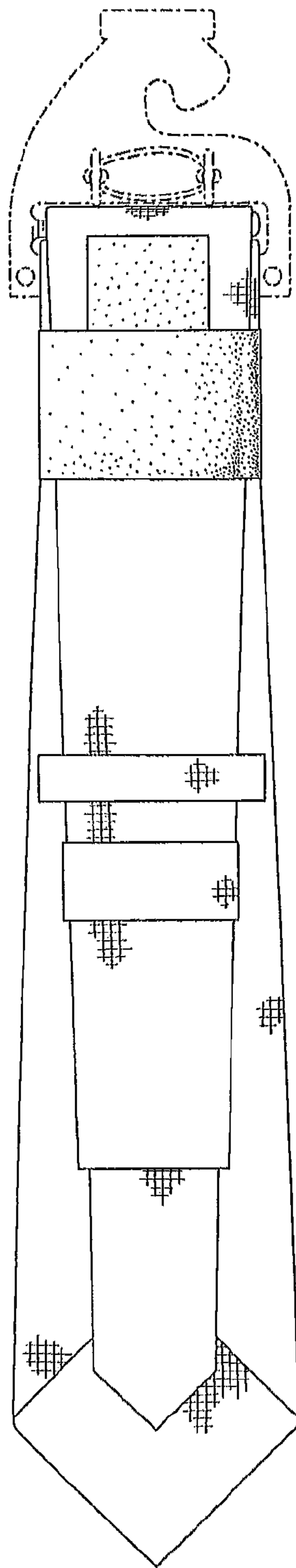


Fig. 6



Fig. 7