



US00D666380S

(12) **United States Design Patent**
Kim

(10) **Patent No.:** **US D666,380 S**
(45) **Date of Patent:** **** Sep. 4, 2012**

(54) **TIE AND HANDKERCHIEF RETAIL COMBINATION**

(75) Inventor: **Cin Kim**, Alpine, NJ (US)

(73) Assignee: **Peacock Apparel Group, Inc.**, New York, NY (US)

(**) Term: **14 Years**

(21) Appl. No.: **29/387,361**

(22) Filed: **Mar. 11, 2011**

(51) **LOC (9) Cl.** **02-05**

(52) **U.S. Cl.** **D2/605; D2/501; D9/721**

(58) **Field of Classification Search** D2/600, D2/601, 602, 603, 604, 605, 606, 607, 608, D2/609; D6/315; D9/702, 711, 721, 722, D9/414, 415, 457; 2/130, 144, 145, 146, 2/147, 148, 149, 150, 151, 152.1, 153, 154, 2/155, 156, 157; 206/278, 288, 289, 292, 206/495; 223/85, 87, 88; 248/340

See application file for complete search history.

(56) **References Cited**

U.S. PATENT DOCUMENTS

698,266	A	4/1902	Elliott	
982,948	A	1/1911	Griesemer	
1,005,835	A *	10/1911	Hill	2/146
1,125,793	A *	1/1915	Barnes	2/150
1,163,308	A *	12/1915	Bachrach	2/148
1,253,457	A	1/1918	Atkinson	
1,862,353	A	6/1932	Allison	
1,878,604	A *	9/1932	Rodeback	2/150
1,995,864	A *	3/1935	Reinhold	206/278
2,063,255	A	12/1936	Kim	
2,093,830	A	9/1937	Flatley	
2,233,207	A	2/1941	Gillam	
2,626,735	A *	1/1953	Gwinn et al.	223/87
2,656,543	A *	10/1953	Cohan	2/146
D171,897	S *	4/1954	La Barre	D6/315
2,889,934	A *	6/1959	Vidach	223/85
2,907,045	A	10/1959	O'Reilly	
D189,899	S *	3/1961	Levine	D6/315

3,032,242	A *	5/1962	Roberts	223/87
3,043,494	A	7/1962	Kim	
3,060,448	A	10/1962	Mongelli	
3,066,792	A	12/1962	Spilman	
3,069,009	A *	12/1962	Hoeflich	206/284
D202,316	S *	9/1965	Pehr	D6/315
3,204,838	A *	9/1965	Pulitzer	223/87
3,208,081	A *	9/1965	Scully	2/150
3,243,087	A *	3/1966	Pulitzer	223/87
3,308,935	A	3/1967	Cote	
3,346,881	A	10/1967	Mathison	
3,363,264	A	1/1968	Mathison	
3,370,765	A *	2/1968	Jossem	223/87
D211,445	S *	6/1968	Klaus	D2/605
3,456,853	A *	7/1969	Hodge	223/87
3,506,978	A	4/1970	Santona Aldo	
3,511,364	A	5/1970	Airdo	
3,670,881	A	6/1972	Dutcher	

(Continued)

OTHER PUBLICATIONS

U.S. Appl. No. 29/326,598, filed Oct. 21, 2008, Kim.

(Continued)

Primary Examiner — Karen E Eldridge Powers

(74) *Attorney, Agent, or Firm* — Leason Ellis LLP

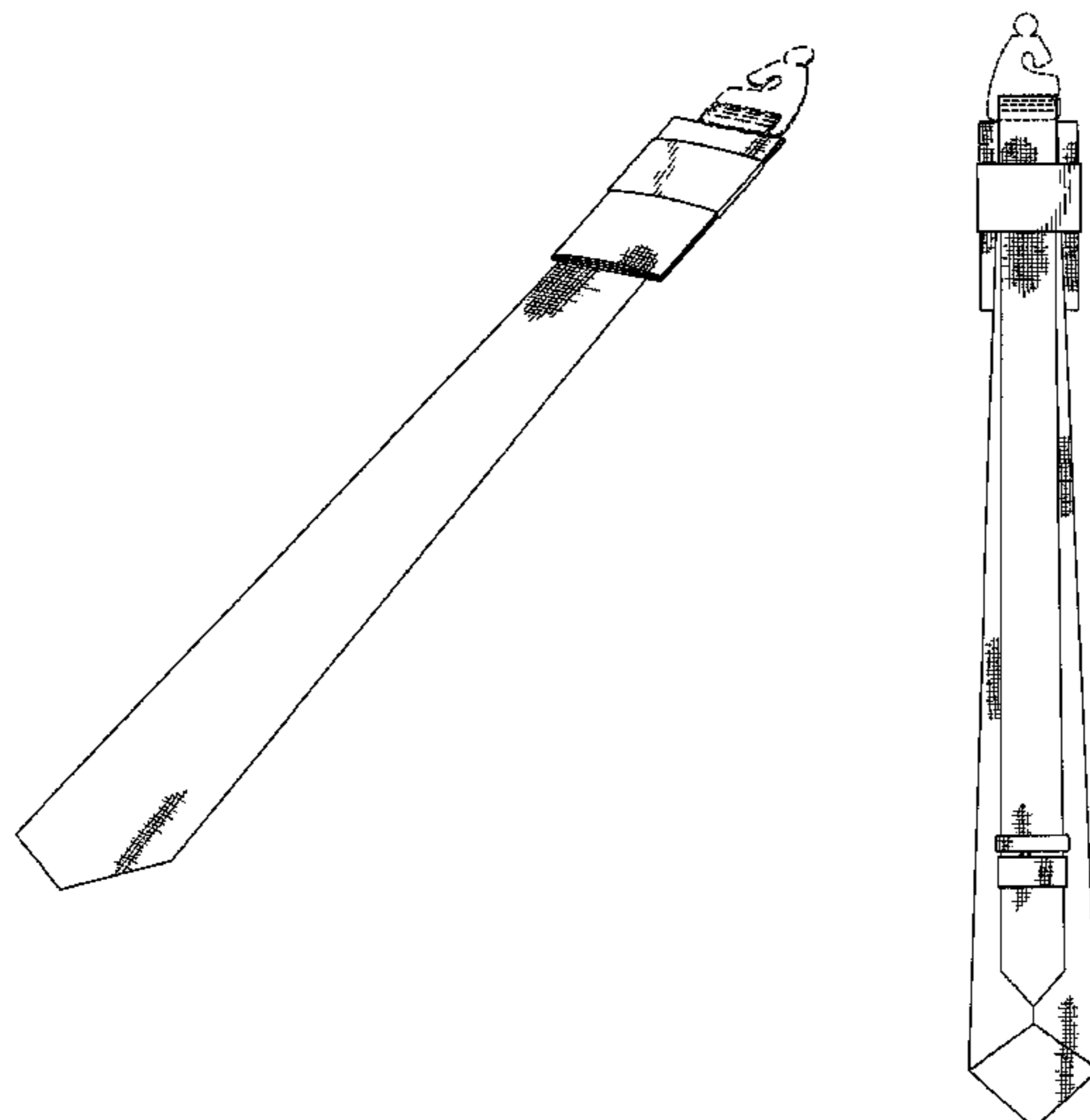
(57) **CLAIM**

The ornamental design for a tie and handkerchief retail combination, as shown and described.

DESCRIPTION

FIG. 1 is a front and side perspective view of a tie and handkerchief retail combination showing my new design; FIG. 2 is a front elevation view thereof; FIG. 3 is a rear elevation view thereof; FIG. 4 is a right side view thereof; FIG. 5 is a left side view thereof; FIG. 6 is a top plan view thereof; and, FIG. 7 is a bottom plan view thereof. The broken lines of FIGS. 1-7 are for illustrative purposes only and form no part of the claimed design.

1 Claim, 3 Drawing Sheets



US D666,380 S

Page 2

U.S. PATENT DOCUMENTS

3,790,045	A *	2/1974	Rigel et al.	223/87	7,096,509	B2	8/2006	Kim	
3,890,678	A	6/1975	Leonard		7,114,220	B2	10/2006	Kim	
3,964,105	A	6/1976	Gideon		D546,674	S	7/2007	Limber	
3,999,222	A	12/1976	Walborn		D553,495	S	10/2007	Vandecasteele et al.	
4,046,253	A	9/1977	Weaver		7,310,857	B2	12/2007	Kim	
4,173,792	A	11/1979	Intengan		D565,965	S	4/2008	Kim	
4,182,224	A	1/1980	Dutcher		D565,966	S	4/2008	Kim	
D259,164	S *	5/1981	Abramowitz	D6/315	D574,723	S	8/2008	Kim	
D261,479	S	10/1981	Kim		D574,724	S	8/2008	Kim	
4,546,494	A	10/1985	Garber		D574,725	S	8/2008	Kim	
4,590,610	A	5/1986	Rhyne		D574,726	S	8/2008	Kim	
4,667,346	A	5/1987	Strollo		D574,727	S	8/2008	Kim	
4,762,272	A	8/1988	Kim		D574,728	S	8/2008	Kim	
D299,383	S *	1/1989	Rosenbaum	D2/605	D574,730	S	8/2008	Kim	
4,856,709	A	8/1989	Axelsson et al.		7,441,678	B2 *	10/2008	Ford et al.	223/87
4,930,692	A *	6/1990	Smilow et al.	223/85	D589,364	S	3/2009	Kim	
4,933,991	A	6/1990	Love		D589,365	S	3/2009	Kim	
5,002,220	A	3/1991	Safranski		D589,366	S	3/2009	Kim	
5,222,638	A *	6/1993	Kolton et al.	223/87	D589,367	S	3/2009	Kim	
D343,356	S	1/1994	Kim		D590,724	S	4/2009	Kim	
D346,960	S	5/1994	Bennett		D590,725	S	4/2009	Kim	
5,316,139	A	5/1994	Judd et al.		D590,726	S	4/2009	Kim	
5,328,065	A *	7/1994	Kolton et al.	223/85	D593,872	S	6/2009	Kim	
D349,181	S	8/1994	Cheng		D593,873	S	6/2009	Kim	
5,499,484	A	3/1996	Herrin		D595,151	S	6/2009	Kim	
D368,588	S	4/1996	Goraleski et al.		D596,951	S	7/2009	Kim	
5,549,243	A	8/1996	Dorier et al.		D596,952	S	7/2009	Kim	
5,620,118	A *	4/1997	Kolton et al.	223/85	7,621,393	B2	11/2009	Kim	
5,673,434	A	10/1997	Risk		D606,883	S	12/2009	Kim	
D390,339	S	2/1998	Dipietro		7,757,306	B2 *	7/2010	Mattioli	2/144
5,774,893	A	7/1998	Torres		7,874,423	B2 *	1/2011	Chang	206/292
5,826,760	A *	10/1998	Kolton et al.	223/85	2005/0067443	A1	3/2005	Kim	
6,041,998	A	3/2000	Goldberg et al.		2007/0045131	A1	3/2007	Kim	
6,102,279	A	8/2000	Dowd		2009/0032434	A1	2/2009	Kim	
6,105,833	A *	8/2000	Najarian	223/85	2010/0025269	A1	2/2010	Kim	
6,126,000	A	10/2000	Tung						
6,142,365	A	11/2000	Breitbach						
6,209,136	B1 *	4/2001	Ophardt	2/145					
6,460,189	B1	10/2002	Welch						
6,499,590	B1	12/2002	Godshaw et al.						
D481,191	S *	10/2003	Mattioli	D2/605					
D492,595	S	7/2004	Chang						
6,901,636	B2	6/2005	Kim						
6,978,518	B2	12/2005	Kim						

OTHER PUBLICATIONS

U.S. Appl. No. 13/021,396, filed Feb. 4, 2011, Kim.
 U.S. Appl. No. 29/385,437, filed Feb. 14, 2011, Kim.
 U.S. Appl. No. 29/387,125, filed Mar. 9, 2011, Kim.
 U.S. Appl. No. 29/385,439, filed Feb. 14, 2011, Kim.
 U.S. Appl. No. 29/385,441, filed Feb. 14, 2011, Kim.
 U.S. Appl. No. 29/386,671, filed Mar. 3, 2011, Kim.

* cited by examiner

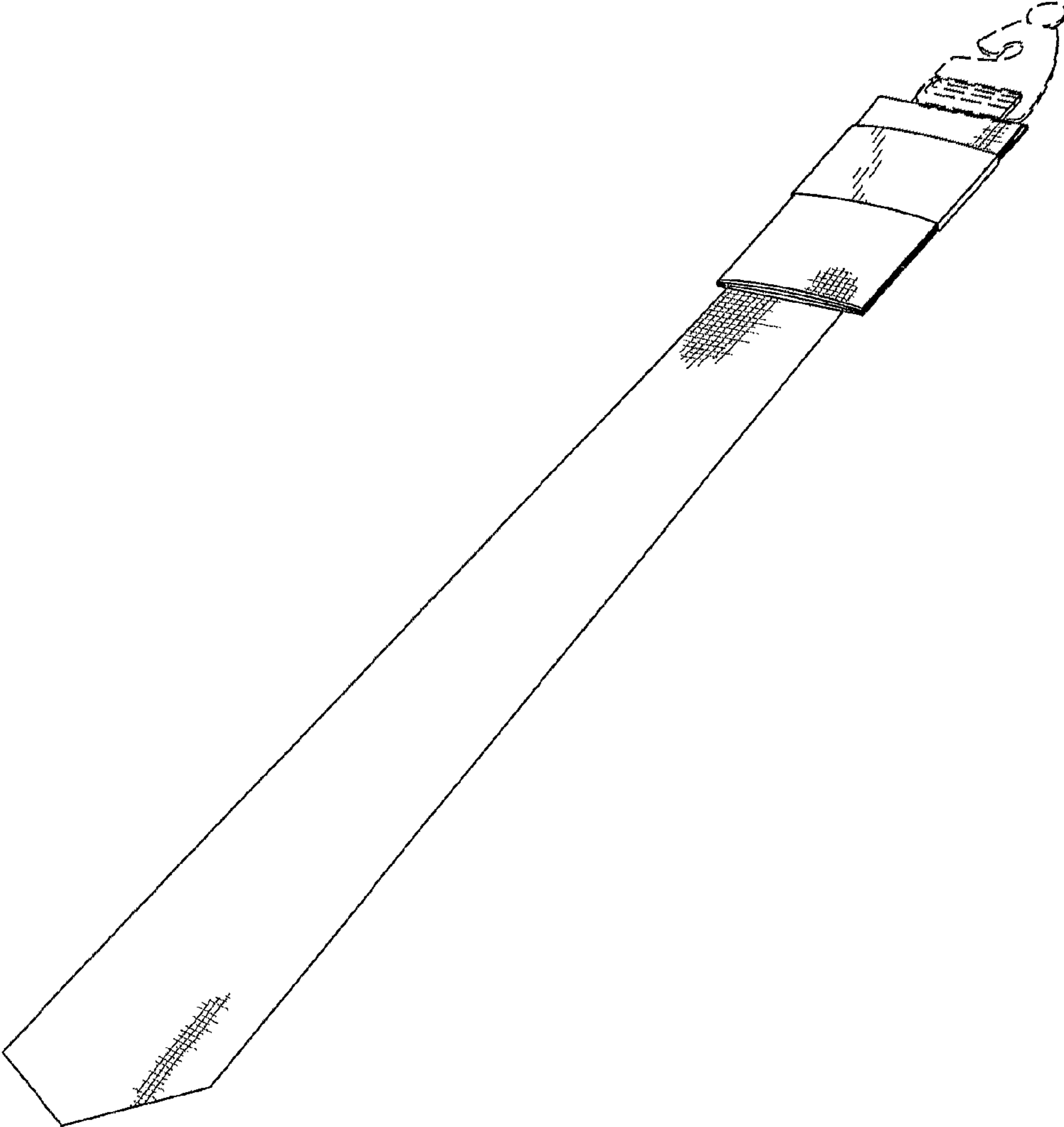


Fig. 1

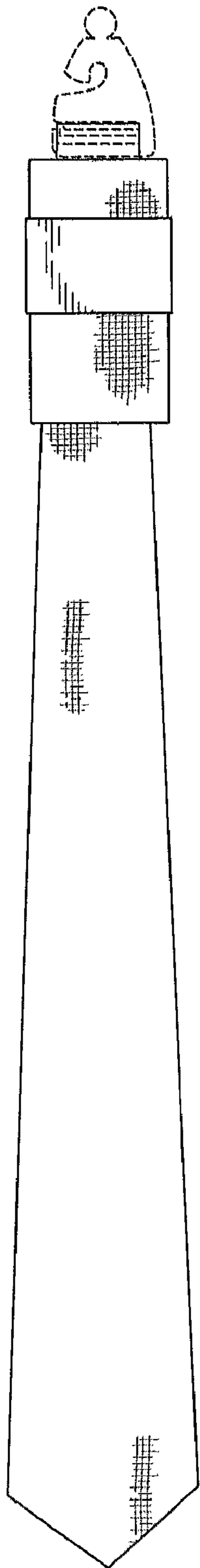


Fig. 2

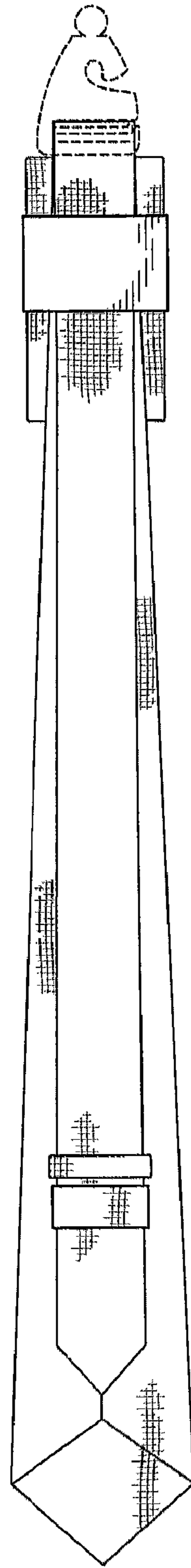


Fig. 3



Fig. 4



Fig. 5



Fig. 6



Fig. 7