



US00D666377S

(12) **United States Design Patent**
Correa et al.

(10) **Patent No.:** **US D666,377 S**
(45) **Date of Patent:** **** Sep. 4, 2012**

(54) **LOZENGE**

(75) Inventors: **Beth Ann Correa**, Morristown, NJ (US);
Michelle Harnish, Sparta, NJ (US);
Deborah L. Watson, Haskell, NJ (US);
Laurie Welborn, Andover, NJ (US);
Trevour Kelleher, Sparta, NJ (US)

(73) Assignee: **Kraft Foods Global Brands LLC**,
Northfield, IL (US)

(**) Term: **14 Years**

(21) Appl. No.: **29/380,177**

(22) Filed: **Dec. 1, 2010**

(51) **LOC (9) Cl.** **01-01**

(52) **U.S. Cl.** **D1/114; D1/130**

(58) **Field of Classification Search** D1/100-199;
D28/8.1; D24/101-104; 426/76, 87, 103,
426/104, 122, 144, 512, 515, 660; D21/386;
D11/90

See application file for complete search history.

(56) **References Cited**

U.S. PATENT DOCUMENTS

787,887	A	4/1905	Baker	
1,243,501	A	10/1912	Fraser	
2,106,097	A	1/1938	Homan	
2,312,381	A	3/1943	Bickenheuser	
3,048,526	A *	8/1962	Boswell	424/472
D213,873	S	4/1969	Bryan	
D290,412	S *	6/1987	Downs	D24/101
D301,764	S *	6/1989	Contractor et al.	D24/102
D327,564	S	7/1992	Kesdekoglu	
D377,086	S *	12/1996	Tortarolo	D24/101
5,683,718	A *	11/1997	Errigo	424/464
5,698,224	A	12/1997	Guittard	
D389,453	S *	1/1998	Mitchell et al.	D13/100
5,824,338	A *	10/1998	Jacobs et al.	424/460
D400,685	S	11/1998	Stanton	
D430,285	S *	8/2000	Chen et al.	D24/101
D432,641	S *	10/2000	Burrows	D24/101
D433,121	S *	10/2000	Burrows	D24/101
D433,122	S *	10/2000	Burrows	D24/101
D433,499	S *	11/2000	Burrows	D24/101

D433,500	S *	11/2000	Burrows	D24/101
D433,501	S *	11/2000	Burrows	D24/101
D437,407	S *	2/2001	Burrows	D24/101
6,197,334	B1 *	3/2001	Renda	424/464
6,214,380	B1 *	4/2001	Parekh et al.	424/464
D450,883	S *	11/2001	Buter et al.	D28/8.1

(Continued)

Primary Examiner — Barbara Fox

(74) *Attorney, Agent, or Firm* — Cantor Colburn LLP

(57) **CLAIM**

We claim, the ornamental design for a lozenge, as shown and described.

DESCRIPTION

FIG. 1 is a top plan view of a lozenge, showing our new design;

FIG. 2 is a bottom plan view thereof;

FIG. 3 is side elevation view thereof;

FIG. 4 is another side elevation view thereof;

FIG. 5 is front elevation view thereof;

FIG. 6 is a back elevation view thereof;

FIG. 7 is a perspective view thereof;

FIG. 8 is a top plan view of a lozenge, showing our new design in another embodiment;

FIG. 9 is a bottom plan view of the embodiment shown in FIG. 8;

FIG. 10 is side elevation view of the embodiment shown in FIG. 8;

FIG. 11 is another side elevation view of the embodiment shown in FIG. 8;

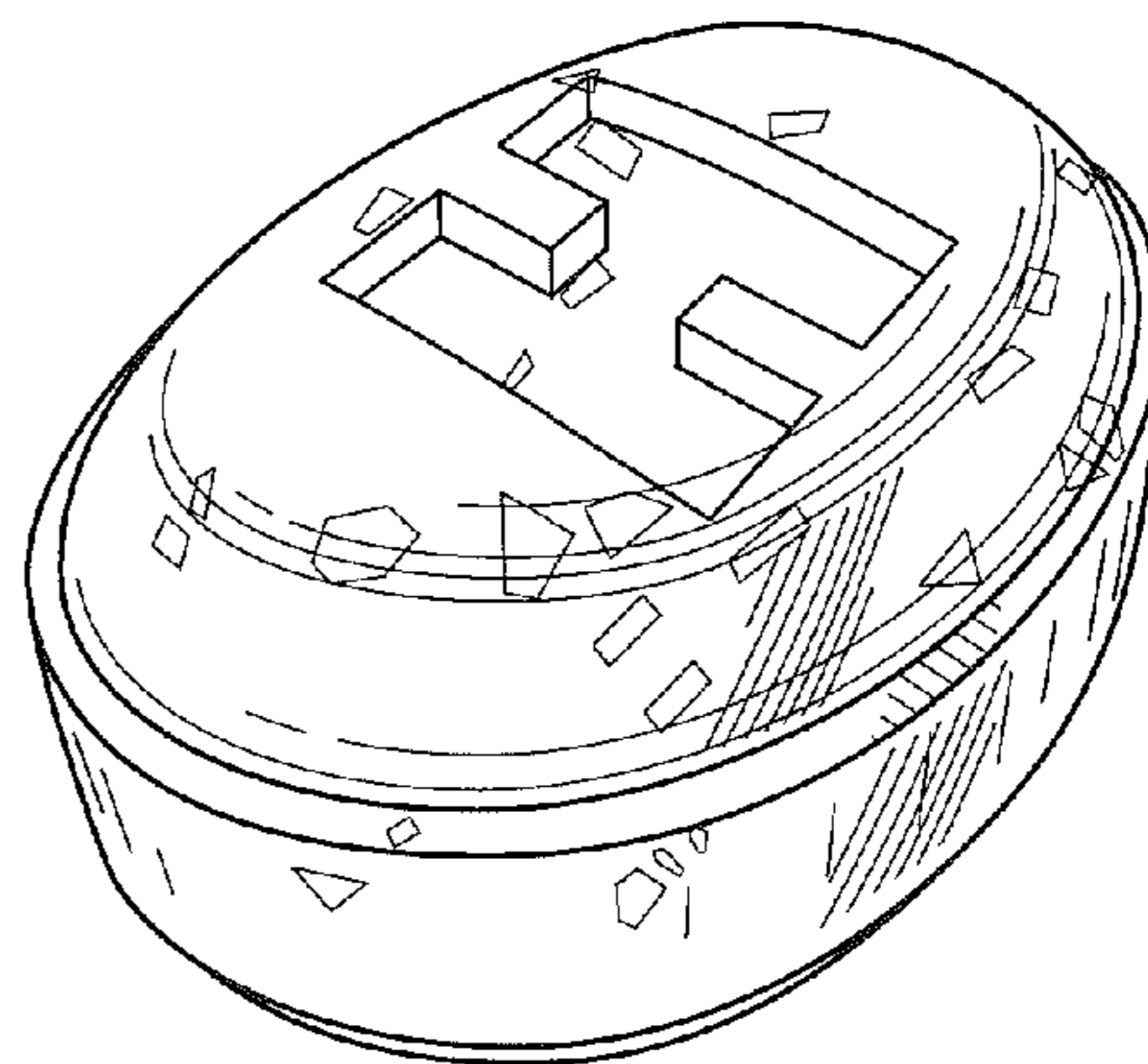
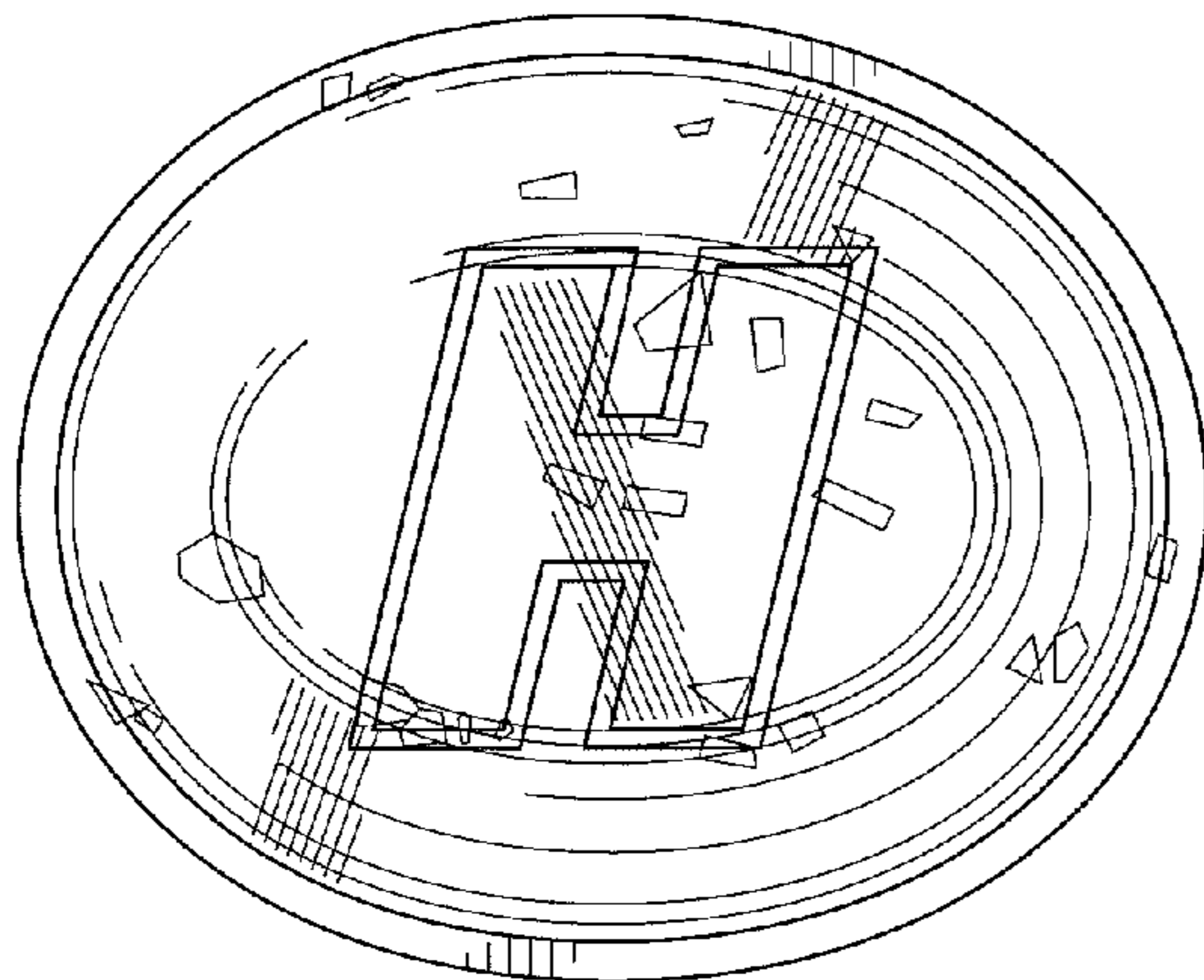
FIG. 12 is a front elevation view of the embodiment shown in FIG. 8;

FIG. 13 is a back elevation view of the embodiment shown in FIG. 8; and,

FIG. 14 is a perspective view of the embodiment shown in FIG. 8.

A characteristic of the design resides in the shape and configuration of the article and/or the pattern and ornament applied to the article as shown in the representations, the article being translucent and the irregular shapes representing particles of opaque material, which are arranged throughout the article in a random fashion.

1 Claim, 8 Drawing Sheets



US D666,377 S

Page 2

U.S. PATENT DOCUMENTS

D459,053	S	*	6/2002	Wolff	D1/127	D509,943	S	*	9/2005	Connolly et al.	D1/127
D459,798	S	*	7/2002	Desesquelle et al.	D24/101	7,169,450	B2	*	1/2007	Bunick	428/34.1
D471,693	S	*	3/2003	Wolff	D1/127	D539,007	S	*	3/2007	Clark et al.	D1/127
D475,451	S	*	6/2003	Bell et al.	D24/101	D556,947	S	*	12/2007	Seum et al.	D28/8.1
D477,866	S	*	7/2003	Dubois et al.	D24/101	D580,547	S	*	11/2008	Lolis et al.	D24/101
D483,547	S		12/2003	Norton			D636,070	S	*	4/2011	Illing et al.	D24/101
D485,963	S	*	2/2004	Norton	D1/127	2007/0110887	A1	*	5/2007	Stawski et al.	426/660
D509,942	S	*	9/2005	Connolly et al.	D1/127							

* cited by examiner

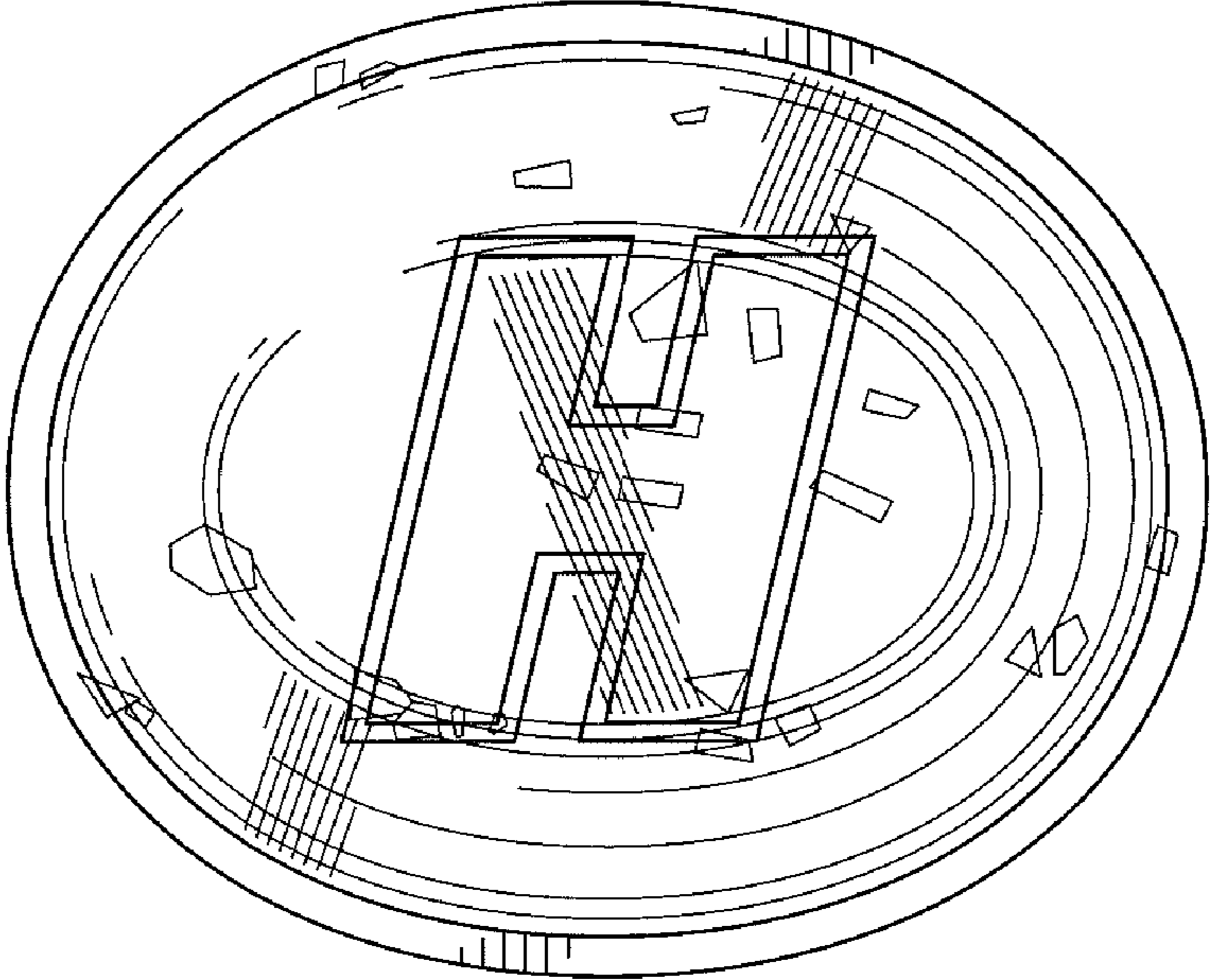


FIG. 1

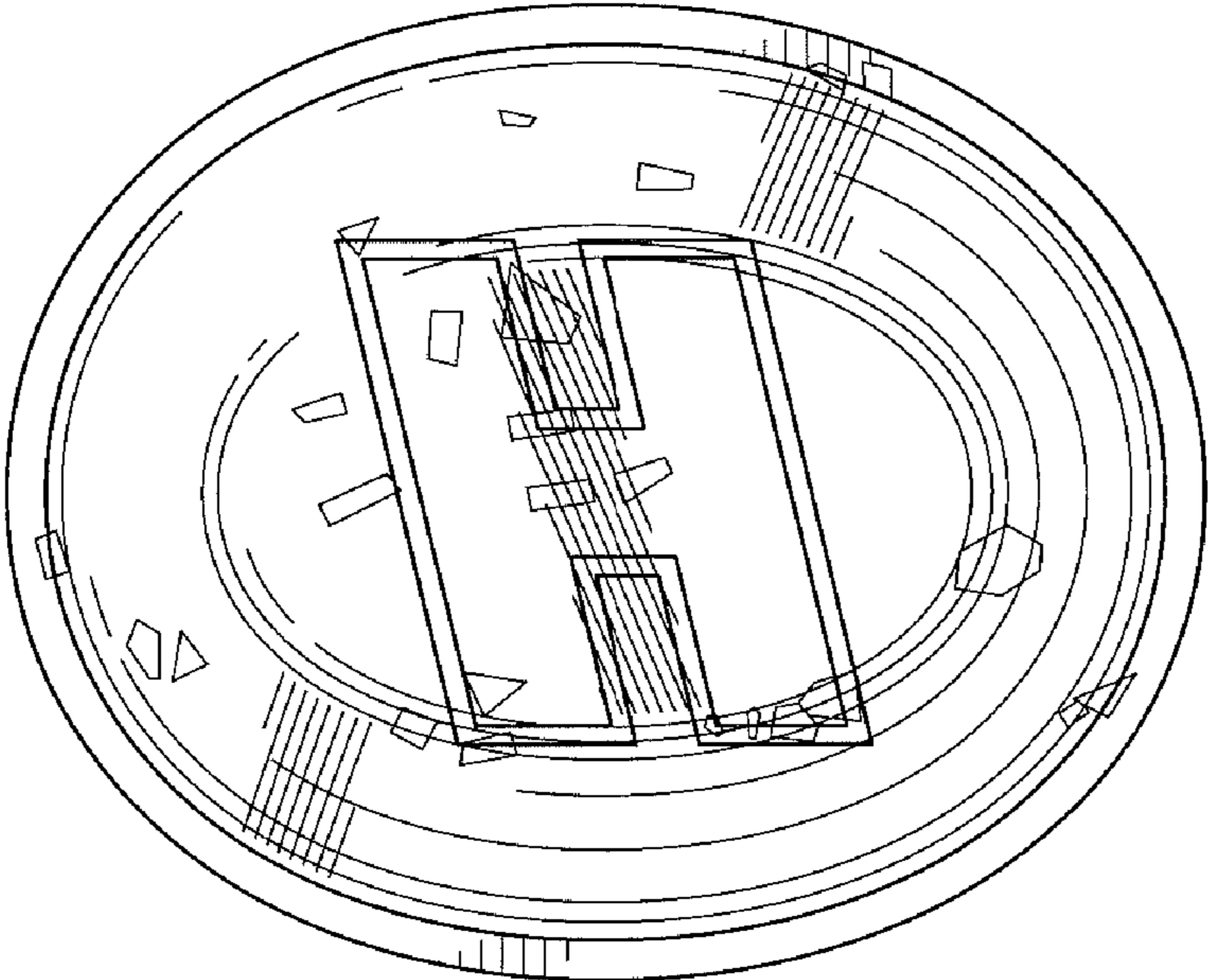


FIG. 2

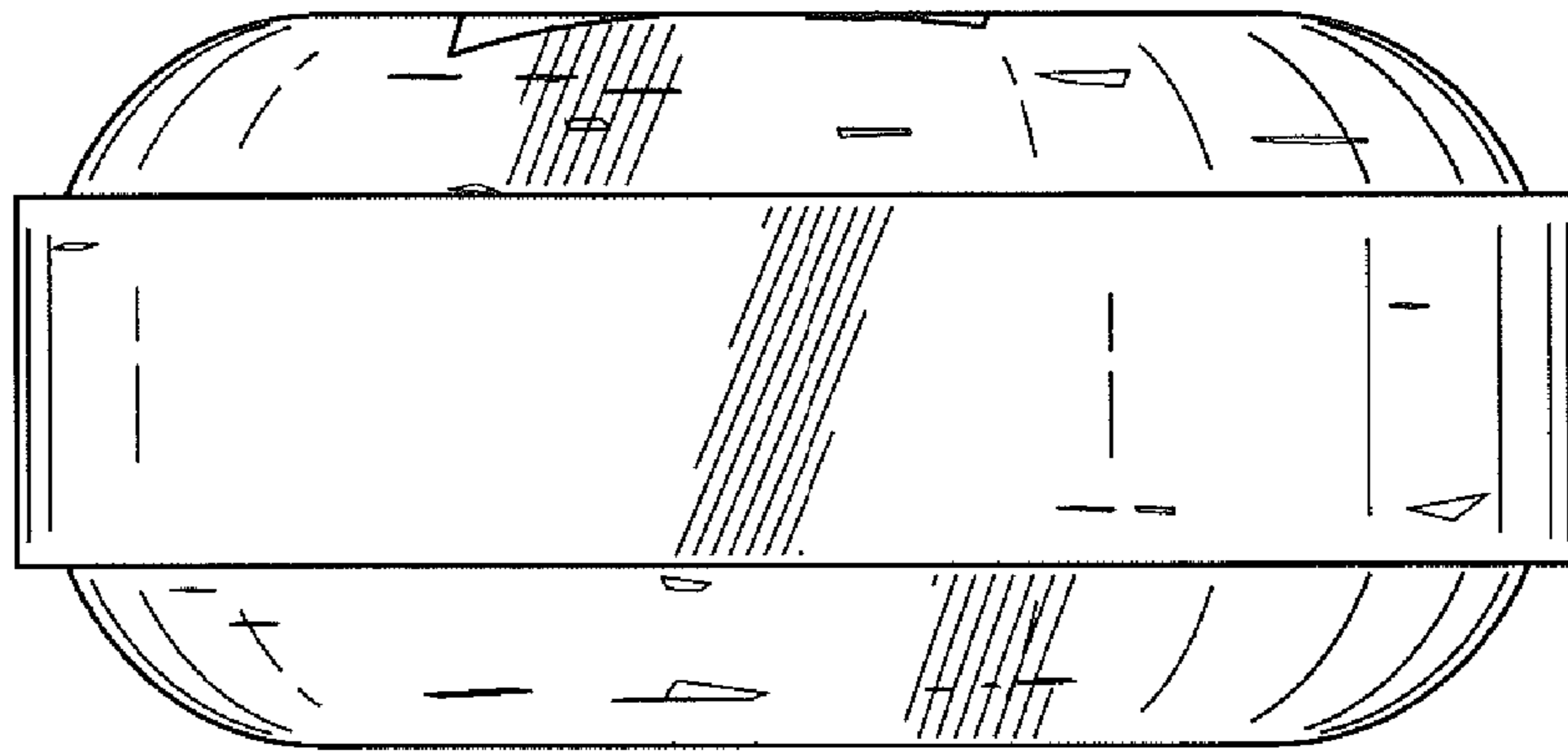


FIG. 3

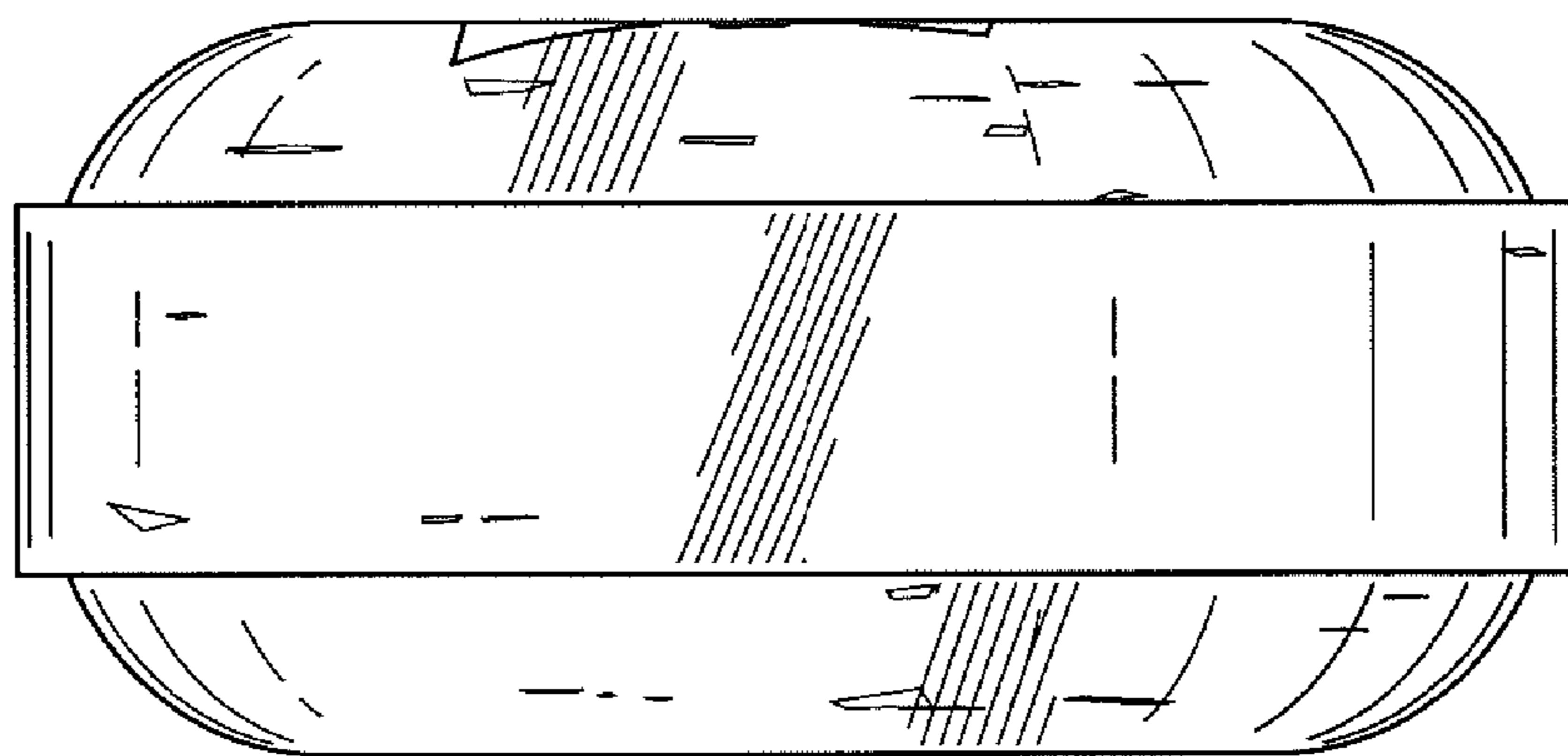


FIG. 4

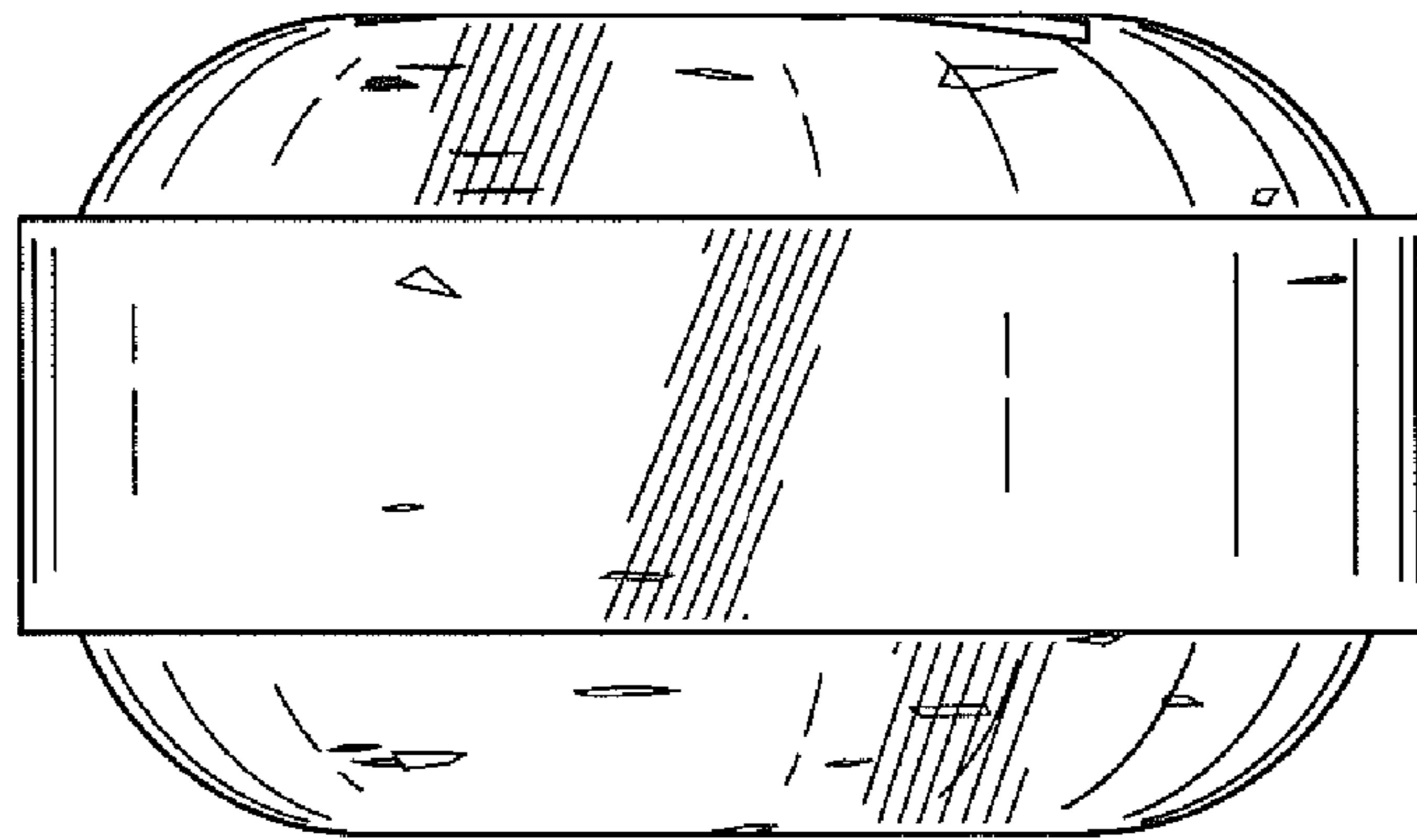


FIG. 5

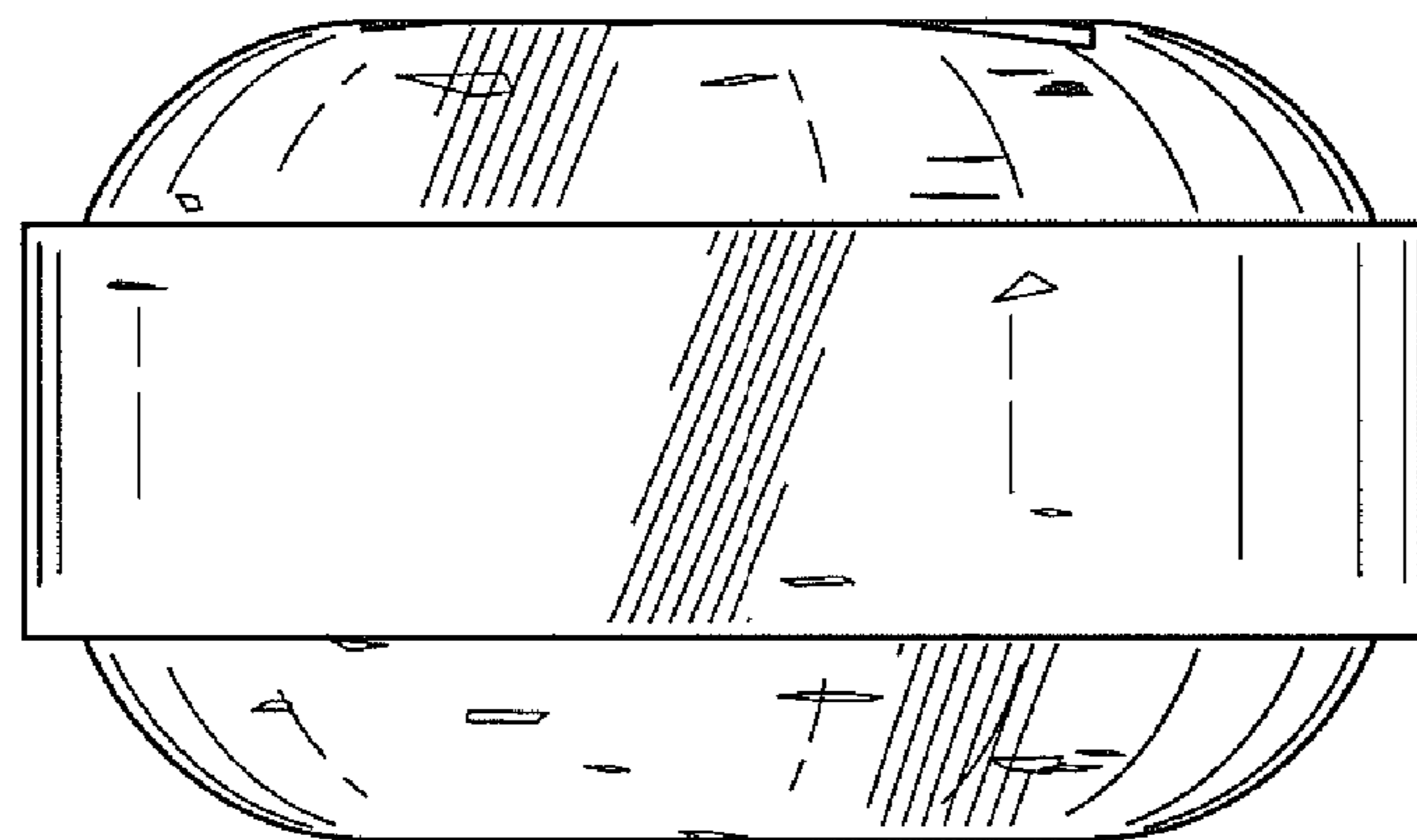


FIG. 6

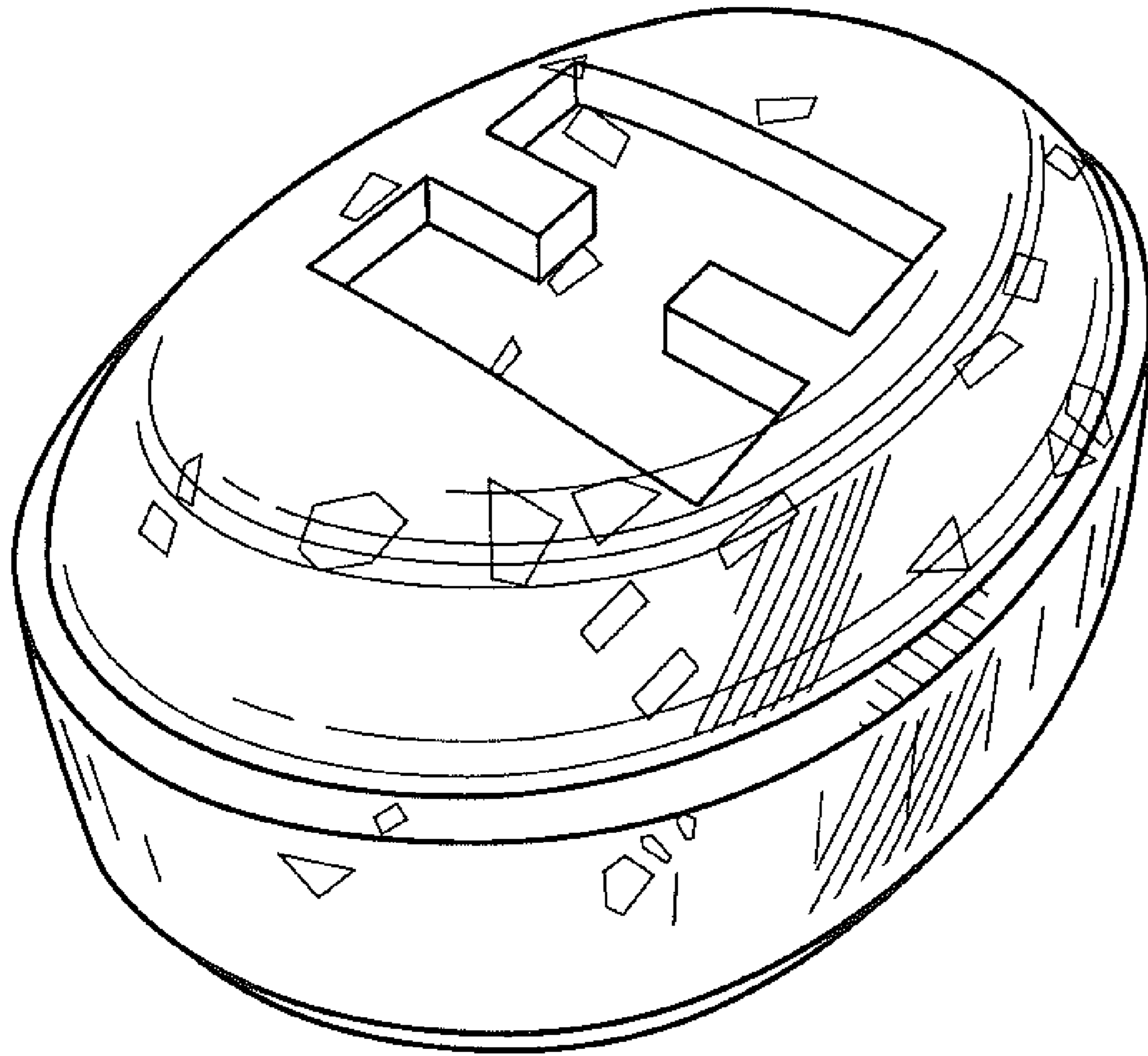


FIG. 7

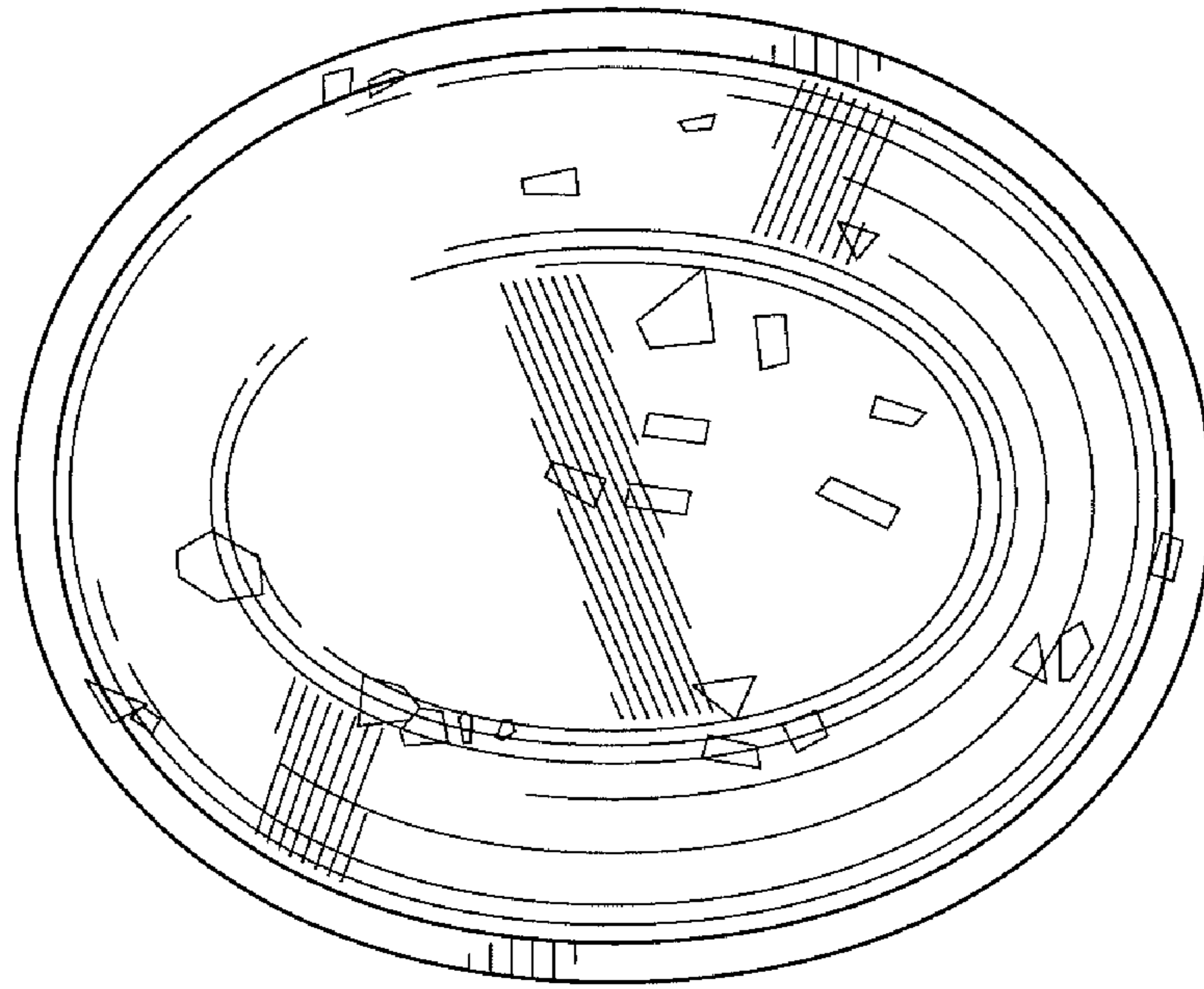


FIG. 8

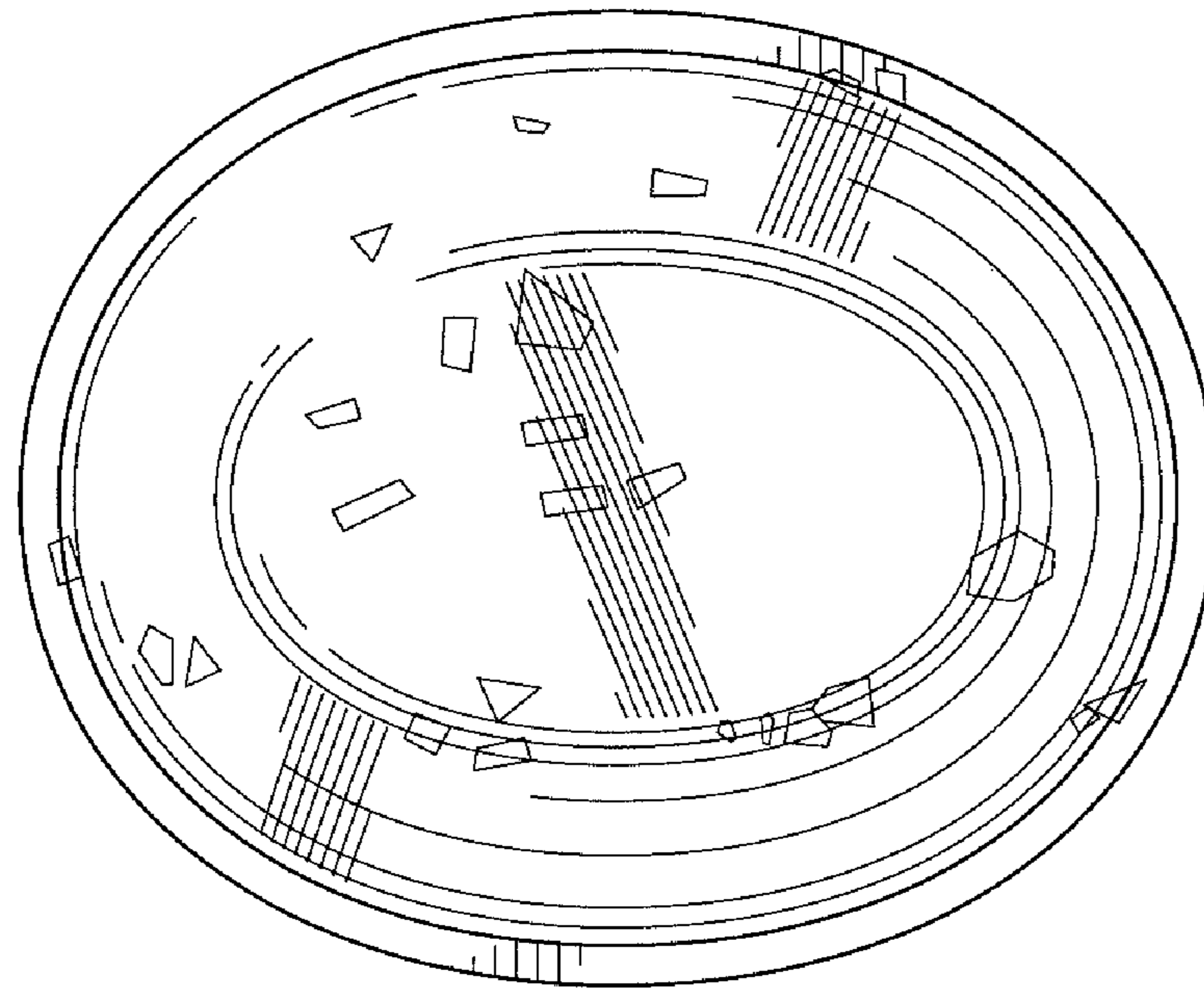


FIG. 9

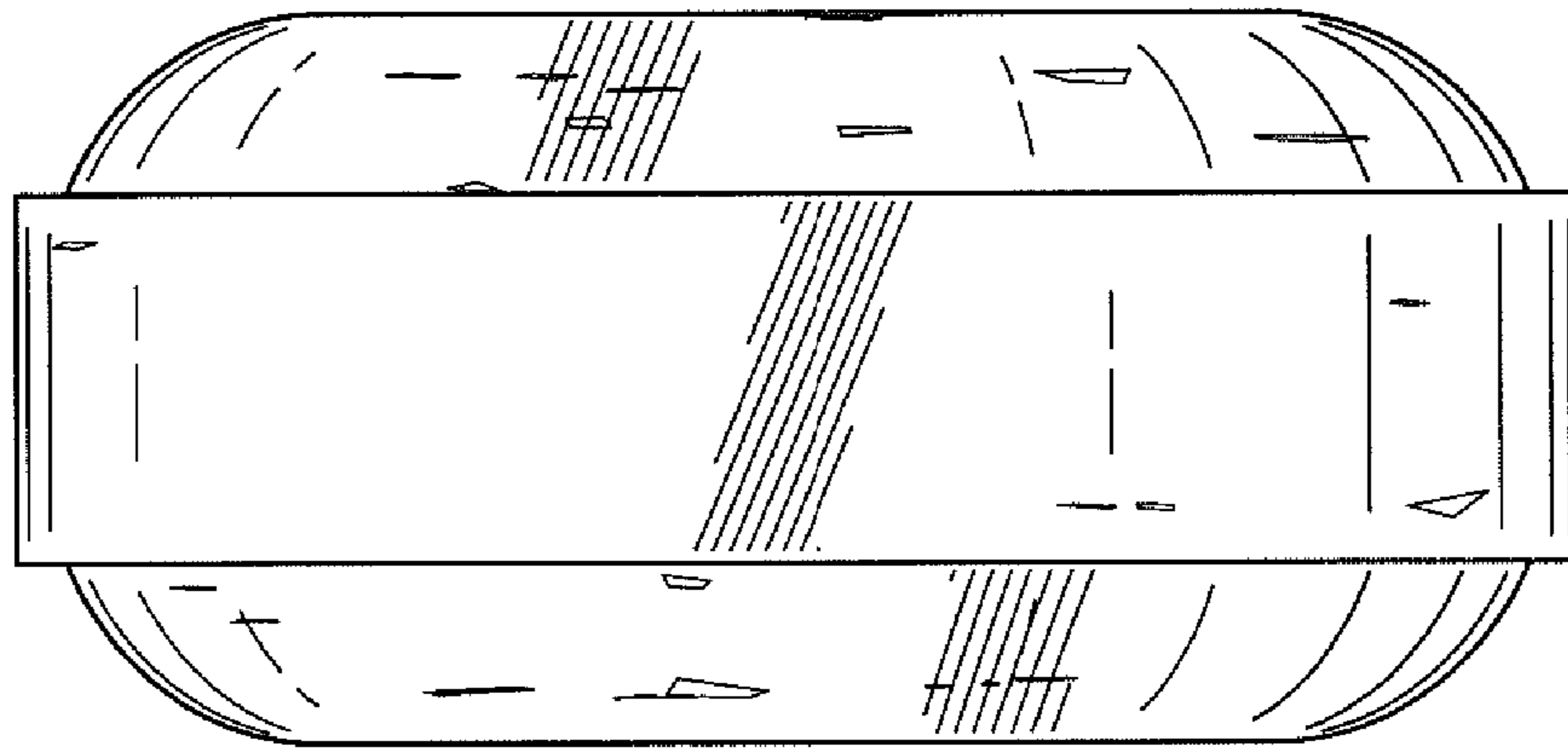


FIG. 10

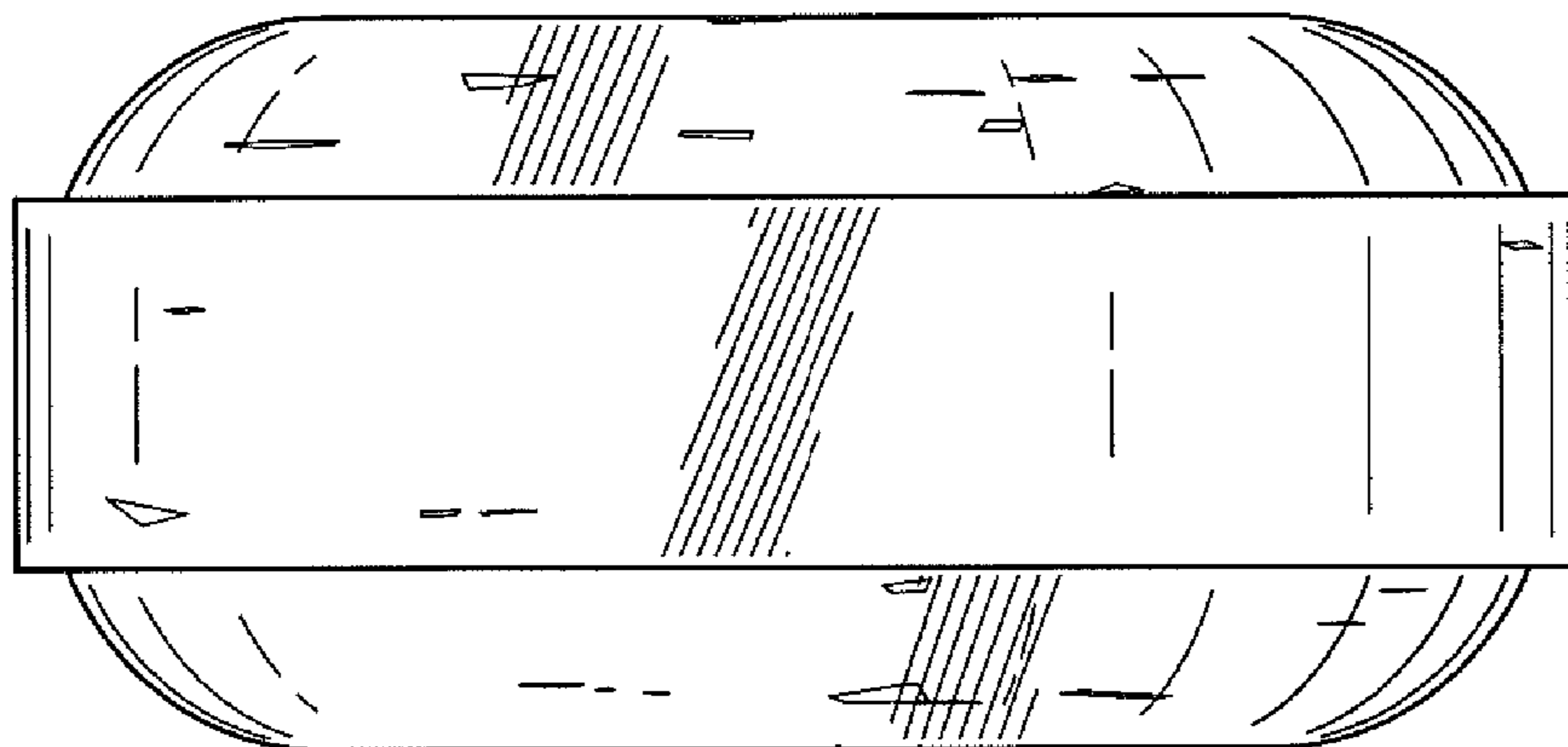


FIG. 11

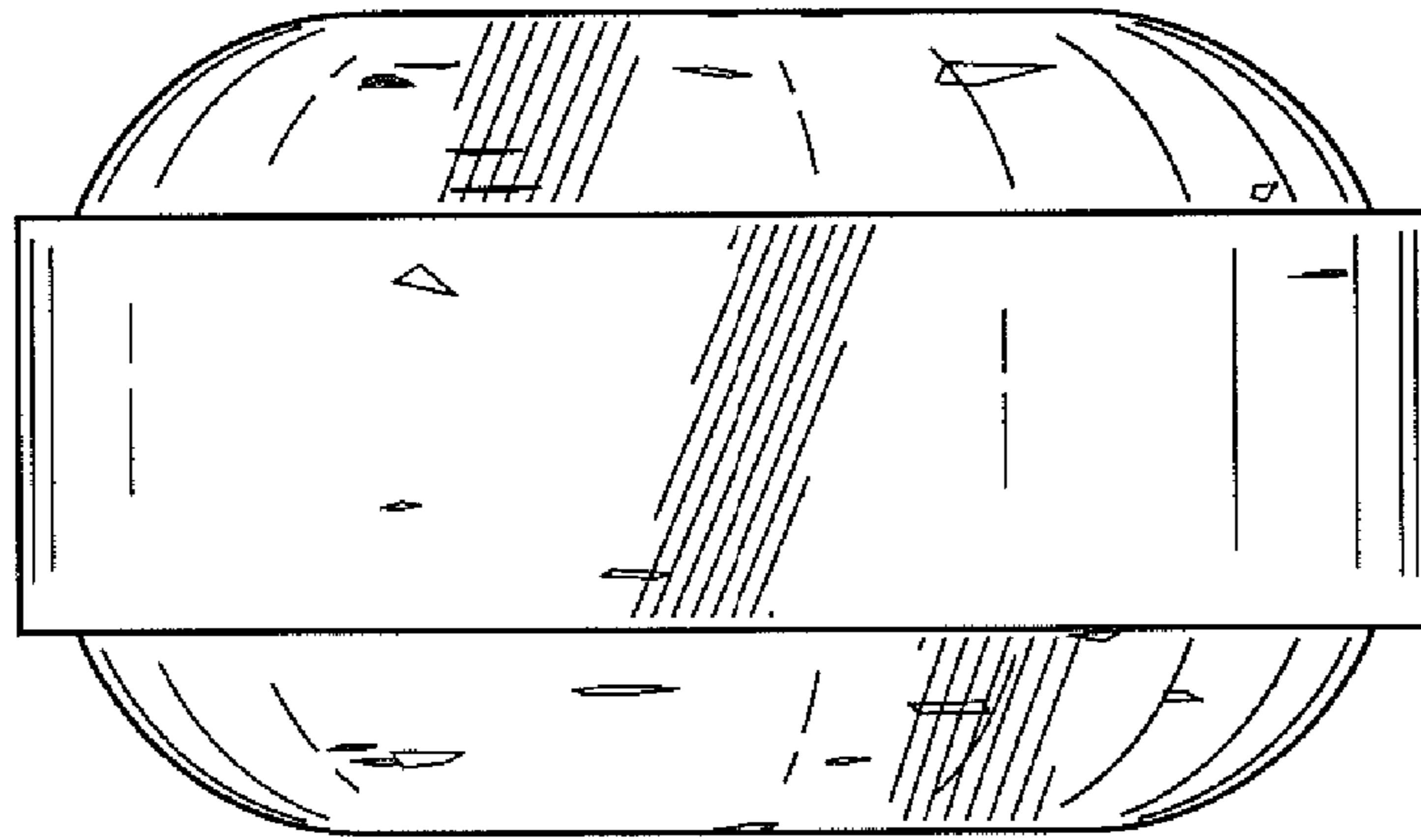


FIG. 12

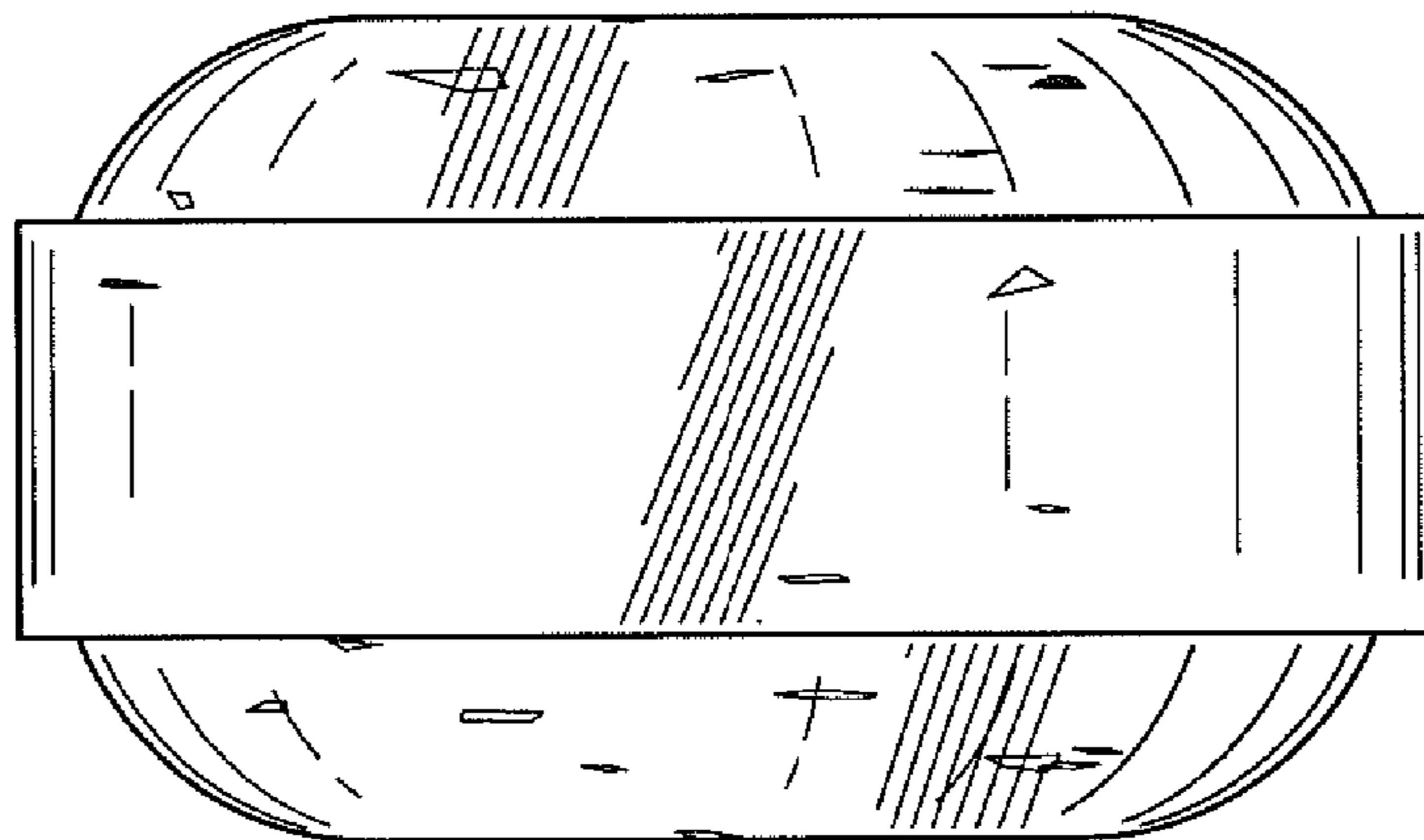


FIG. 13

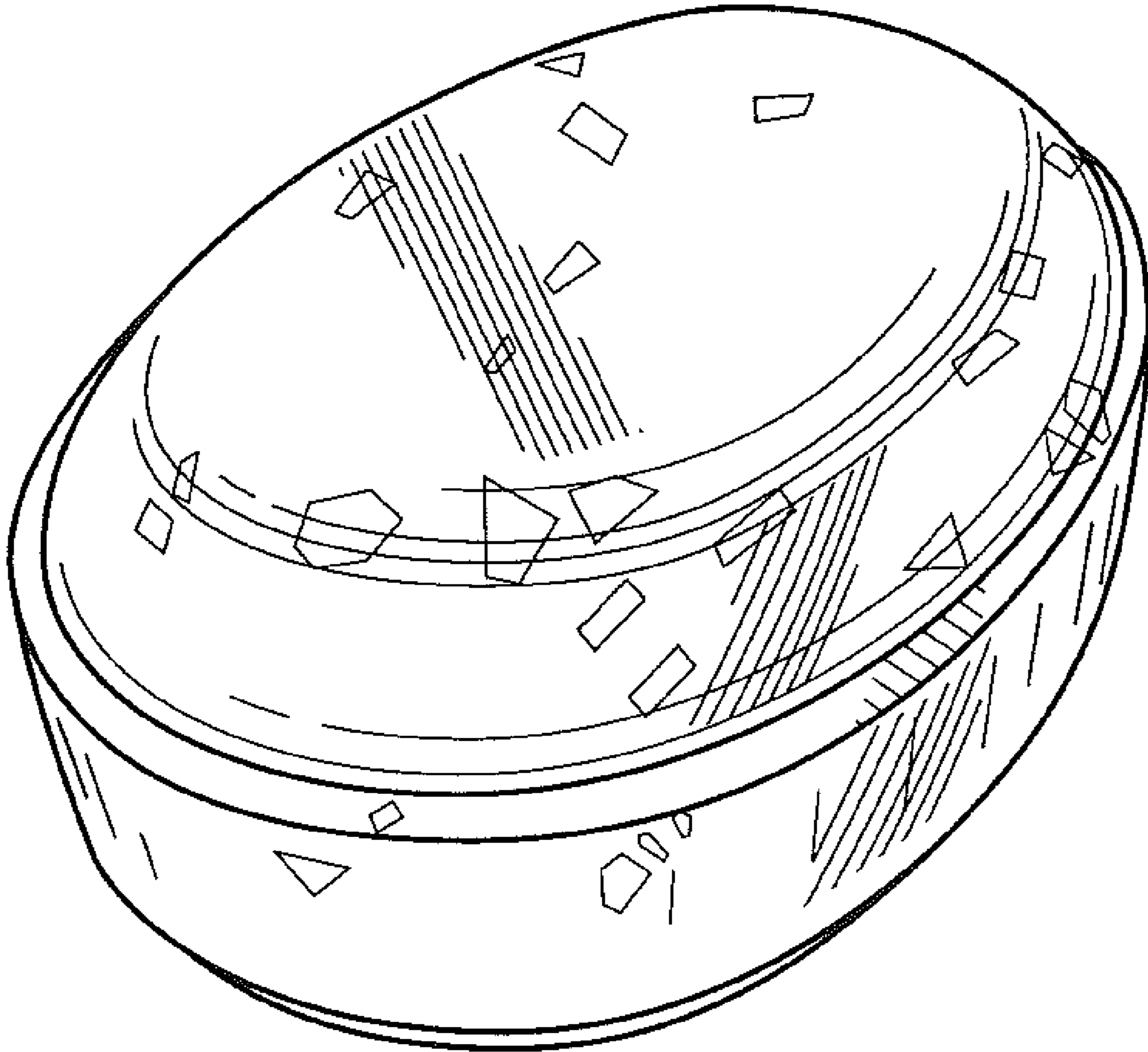


FIG. 14