



US00D666374S

(12) **United States Design Patent**
Angel et al.

(10) **Patent No.:** **US D666,374 S**
(45) **Date of Patent:** **** Aug. 28, 2012**

(54) **SQUEEGEE ADAPTER**

(75) Inventors: **Bruce A. Angel**, Stokesdale, NC (US);
David J. Rossman, Greensboro, NC (US)

(73) Assignee: **Camco Manufacturing, Inc.**,
Greensboro, NC (US)

(**) Term: **14 Years**

(21) Appl. No.: **29/395,565**

(22) Filed: **Feb. 17, 2012**

(51) **LOC (9) Cl.** **04-01**

(52) **U.S. Cl.** **D32/41**

(58) **Field of Classification Search** D32/40-45;
15/245, 245.1, 208, 209, 244.1-244.4
See application file for complete search history.

(56) **References Cited**

U.S. PATENT DOCUMENTS

5,101,530	A *	4/1992	Hansen et al.	15/245
5,321,868	A *	6/1994	Coulson et al.	15/245.1
5,519,911	A *	5/1996	Callander	15/114
5,660,632	A *	8/1997	Volpe et al.	118/213
6,126,756	A	10/2000	Varner	
6,243,911	B1	6/2001	Varner	
6,453,970	B1 *	9/2002	Stone et al.	156/579
6,625,840	B1 *	9/2003	Hansen et al.	15/245
D517,758	S *	3/2006	Hay et al.	D32/41
D586,877	S	2/2009	Li	
D602,666	S	10/2009	Antoniello et al.	
7,748,074	B2 *	7/2010	Guizzi	15/245
D625,064	S *	10/2010	Lee	D32/42
7,810,205	B2 *	10/2010	Park	15/250.201
D652,595	S *	1/2012	Pottes	D32/41

OTHER PUBLICATIONS

Ref. No. 1, Stainless Steel Squeegee, from the Shurhold website (www.shurhold.com), Feb. 16, 2012, 1 page.

Ref. No. 2, Quik Dry Water Blade, from the Swobbit website (www.swobbit.com), Feb. 16, 2012, 1 page.

Ref. No. 3, Pilot Automotive CC-2010 Soft N Dry Water Blade, from the Amazon website (www.amazon.com), Feb. 16, 2012, 1 page.

* cited by examiner

Primary Examiner — Robin V Webster

(57) **CLAIM**

The ornamental design for a squeegee adapter, as shown and described.

DESCRIPTION

FIG. 1 is a front, bottom left perspective view of a squeegee adapter according to the invention;

FIG. 2 is a front, top right perspective view of a squeegee adapter according to the invention;

FIG. 3 is a left plan view of FIG. 6 according to the invention with the right elevational view being a mirror image thereof; and,

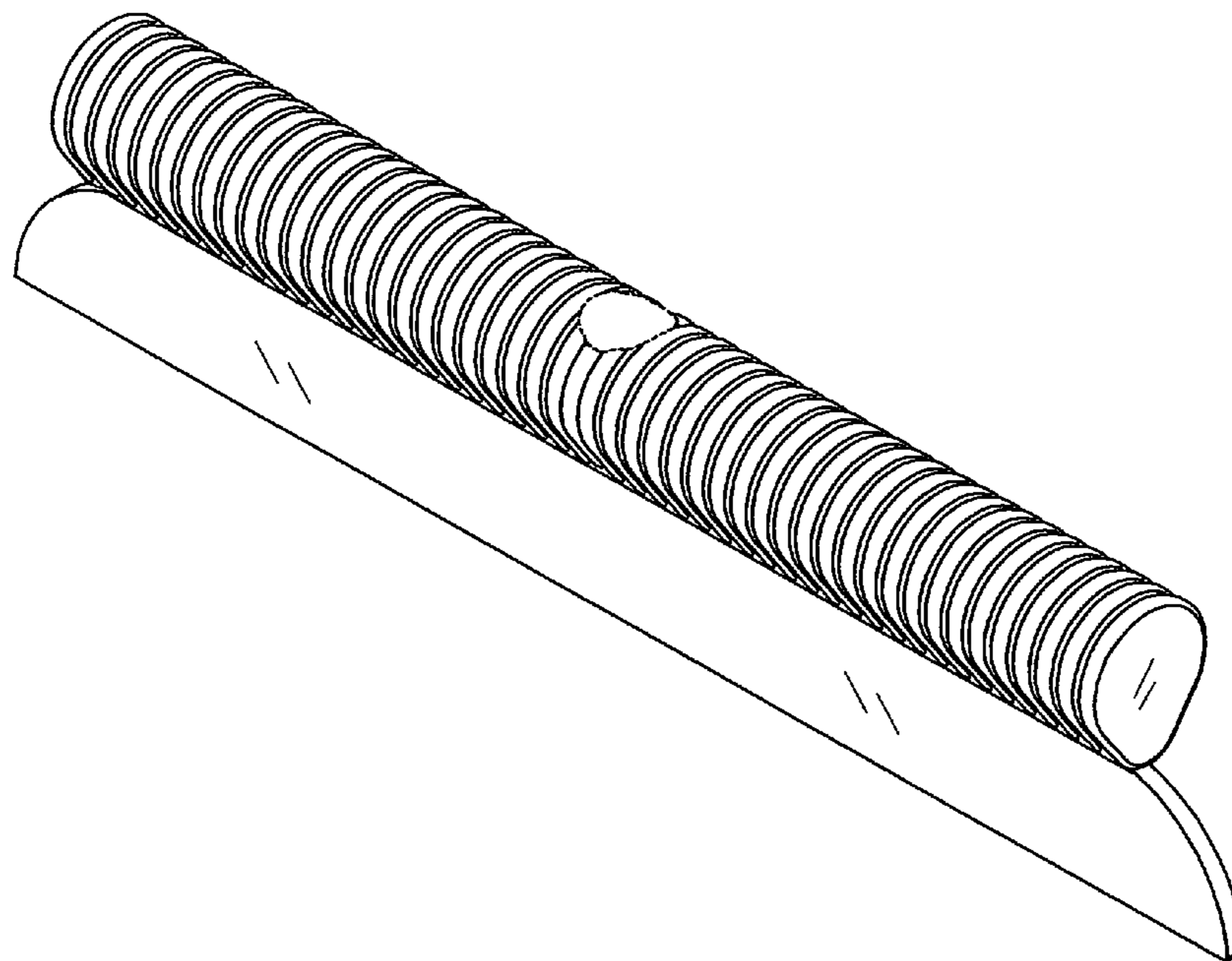
FIG. 4 is a top plan elevational view of FIG. 6 according to the invention; and,

FIG. 5 is a bottom elevational view of FIG. 6 according to the invention; and,

FIG. 6 is a front elevational view of FIG. 6 according to the invention; and,

FIG. 7 is a back elevational view of FIG. 6 according to the invention.

1 Claim, 4 Drawing Sheets



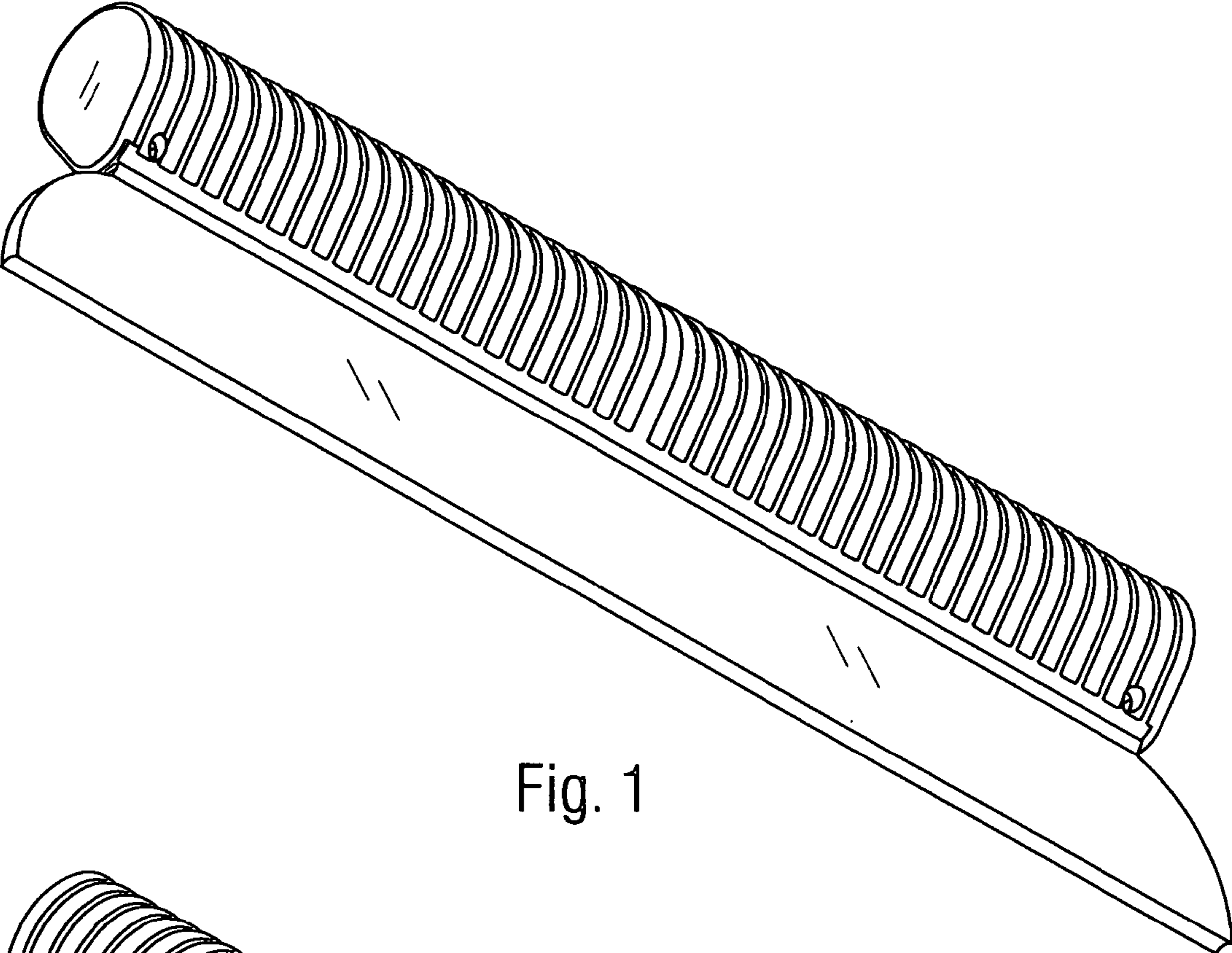


Fig. 1

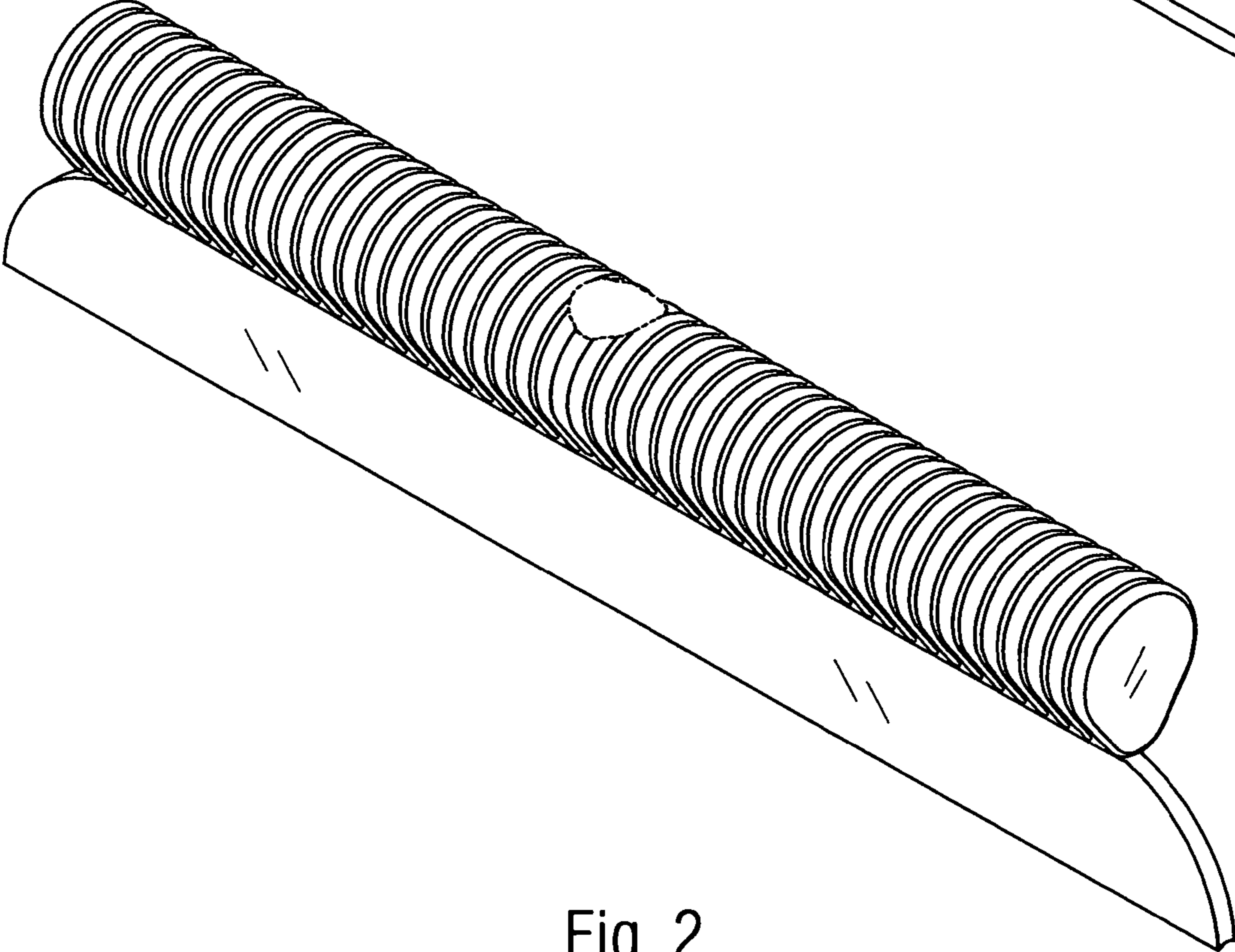


Fig. 2

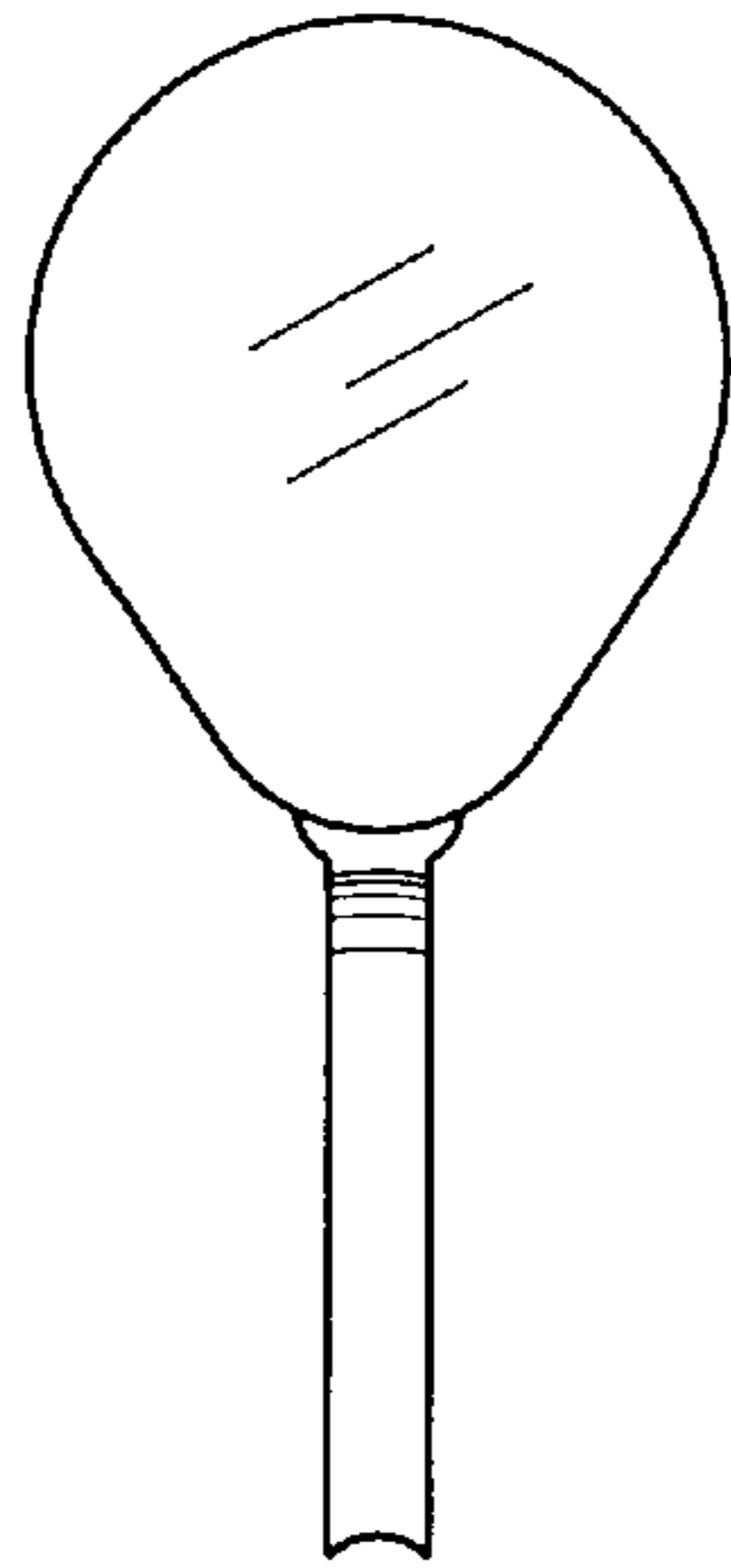


Fig. 3

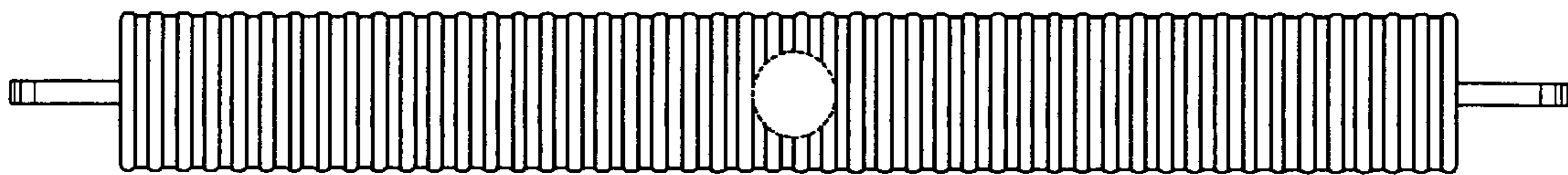


Fig. 4

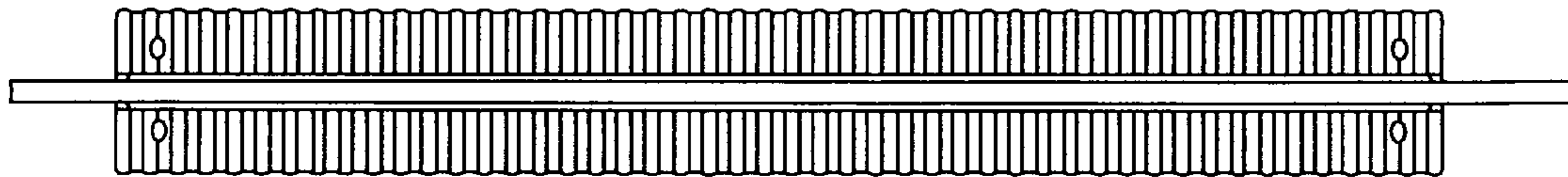


Fig. 5

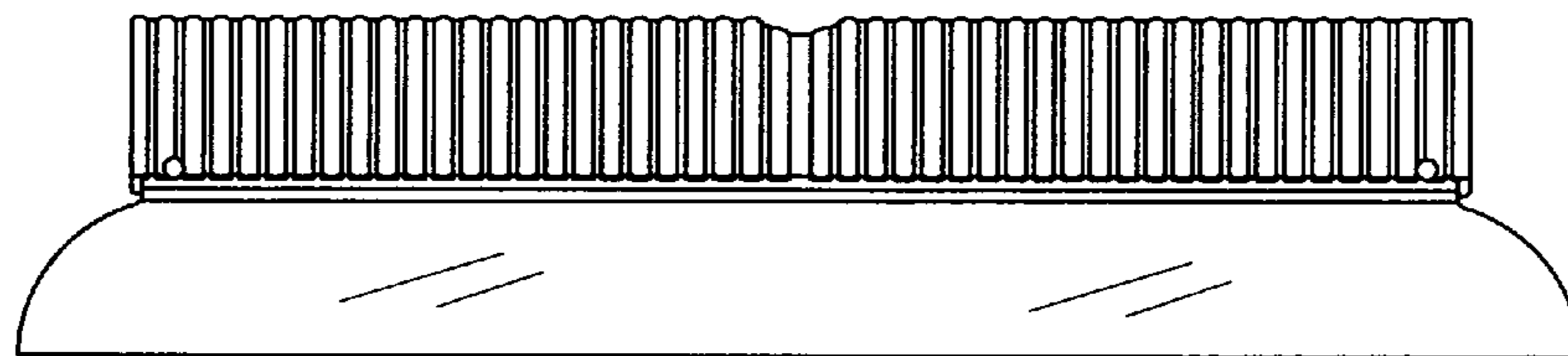


Fig. 6

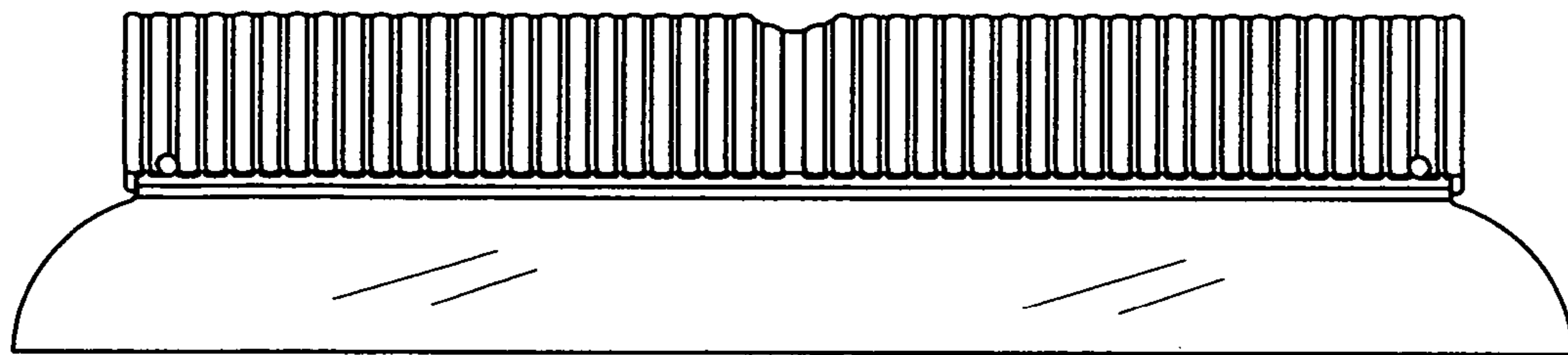


Fig. 7