



US00D666373S

(12) **United States Design Patent**
Eden et al.

(10) **Patent No.:** **US D666,373 S**

(45) **Date of Patent:** **** Aug. 28, 2012**

(54) **CREVICE NOZZLE**

(76) Inventors: **Paul G. Eden**, Glenwood, MD (US);
Johnny R. Eyer, Riverside, CA (US)

(**) Term: **14 Years**

(21) Appl. No.: **29/397,019**

(22) Filed: **Jul. 11, 2011**

(51) **LOC (9) Cl.** **15-05**

(52) **U.S. Cl.** **D32/32**

(58) **Field of Classification Search** D32/31-33,
D32/25; 15/329, 337, 338, 415.1, 416-422,
15/422.1, 93.1, 246.2, 322, 350-354, 361-363,
15/366, 378, 400-401, 414, 412, 344
See application file for complete search history.

5,652,997	A *	8/1997	Na	15/373
D509,332	S *	9/2005	White	D32/32
D513,101	S *	12/2005	Allard et al.	D32/32
D520,201	S *	5/2006	Dyson et al.	D32/33
D526,102	S *	8/2006	Adams	D32/32
D538,986	S *	3/2007	Ingram	D32/32
7,260,869	B2 *	8/2007	Kim	15/416
2004/0098829	A1 *	5/2004	Song	15/400
2010/0170060	A1 *	7/2010	Eccardt et al.	15/415.1

* cited by examiner

Primary Examiner — Ruth McInroy

(74) *Attorney, Agent, or Firm* — Rosenberg, Klein & Lee

(57) **CLAIM**

The ornamental design for a crevice nozzle, as shown and described.

DESCRIPTION

FIG. 1 is a perspective view of our crevice nozzle showing our new design;

FIG. 2 is a left side elevational view thereof;

FIG. 3 is a right side elevational view thereof;

FIG. 4 is a top plan view thereof;

FIG. 5 is a bottom plan view thereof;

FIG. 6 is a front elevational view thereof; and,

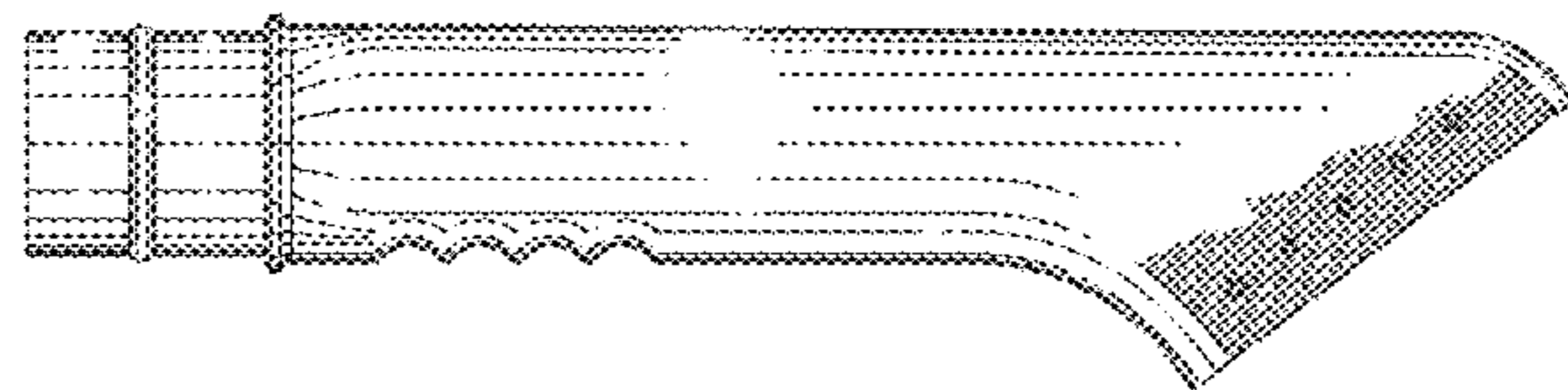
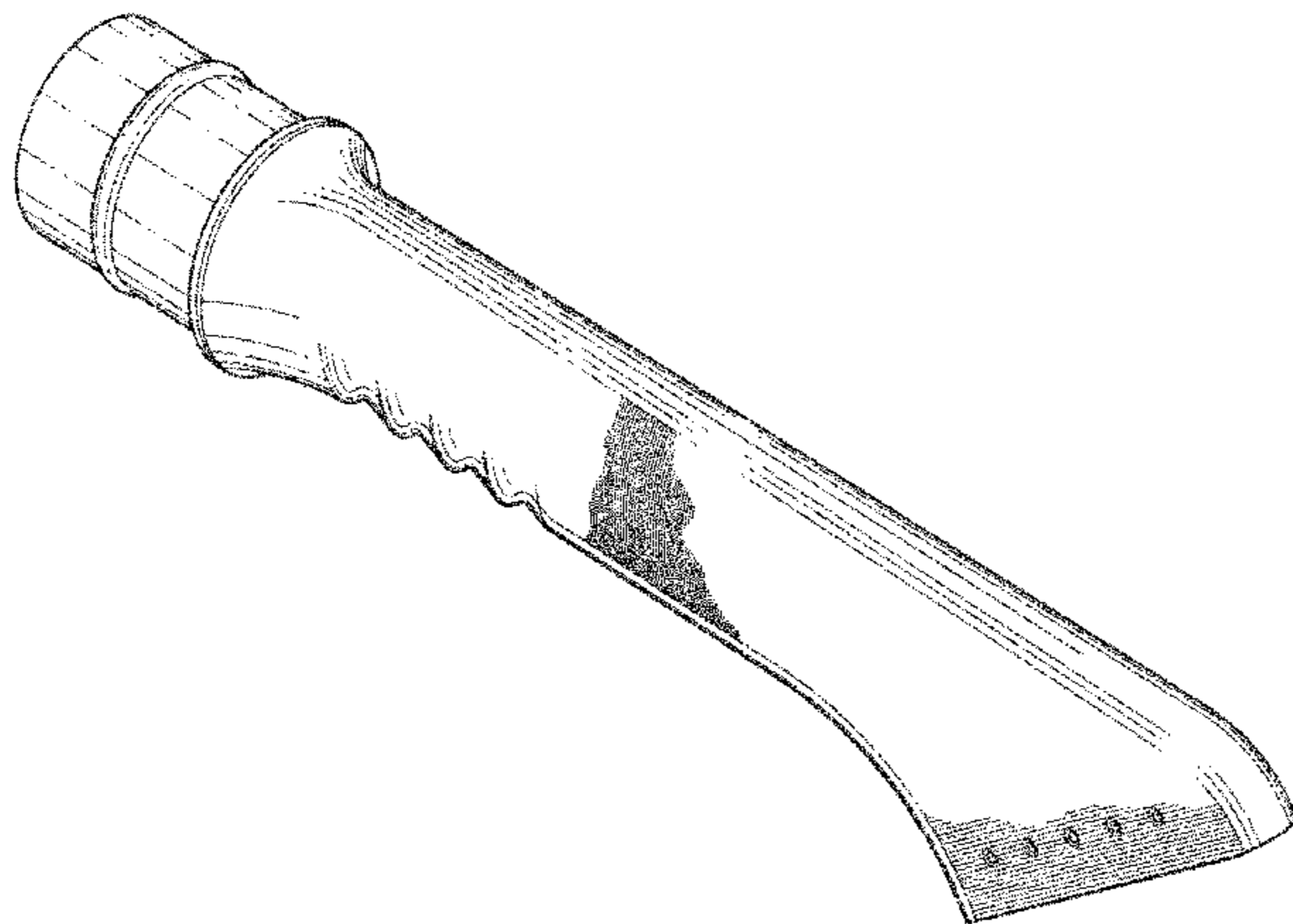
FIG. 7 is a rear elevational view thereof.

1 Claim, 6 Drawing Sheets

(56) **References Cited**

U.S. PATENT DOCUMENTS

D147,125	S *	7/1947	Harvuot	D32/32
D158,774	S *	5/1950	Lippincott	D32/32
D200,093	S *	1/1965	Frost	D32/32
D273,146	S *	3/1984	Farr	D32/31
D303,026	S *	8/1989	Kilakis	D32/32
5,060,341	A *	10/1991	Nelle	15/314
D359,148	S *	6/1995	Henrie	D32/33
D368,995	S *	4/1996	Stryffeler	D32/32
D369,448	S *	4/1996	de Blois et al.	D32/33
D375,822	S *	11/1996	Lessig et al.	D32/32



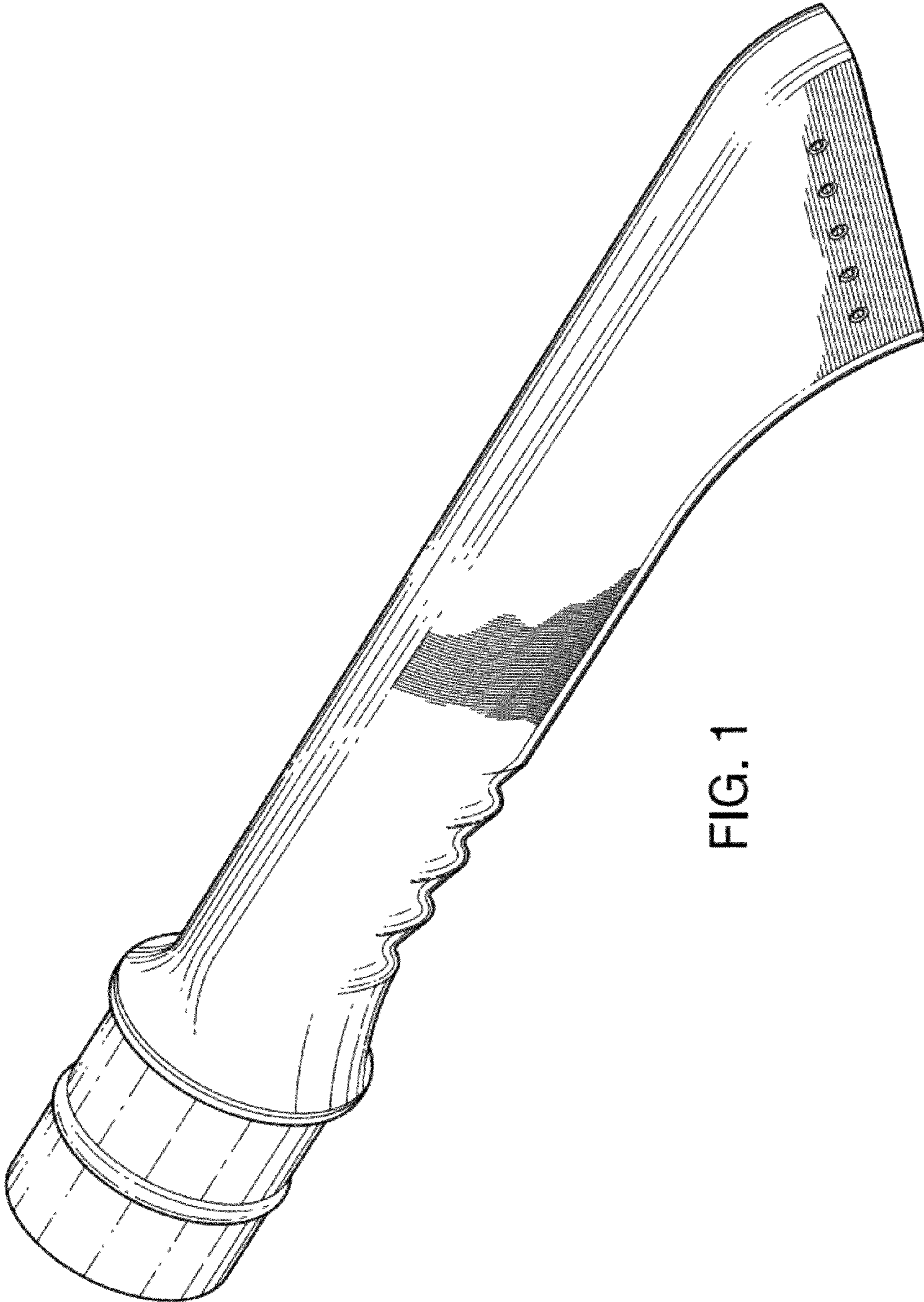


FIG. 1

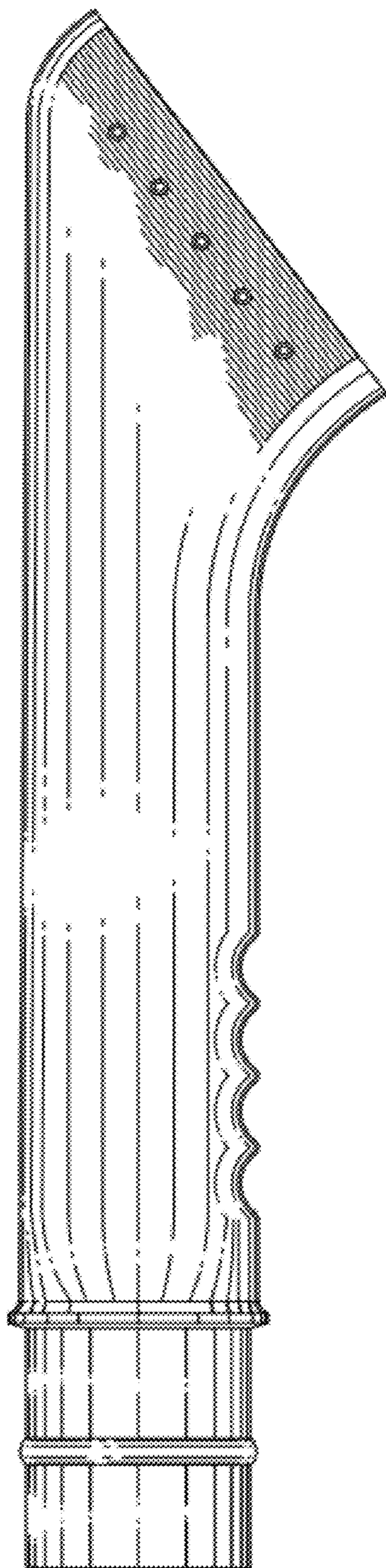


FIG. 2

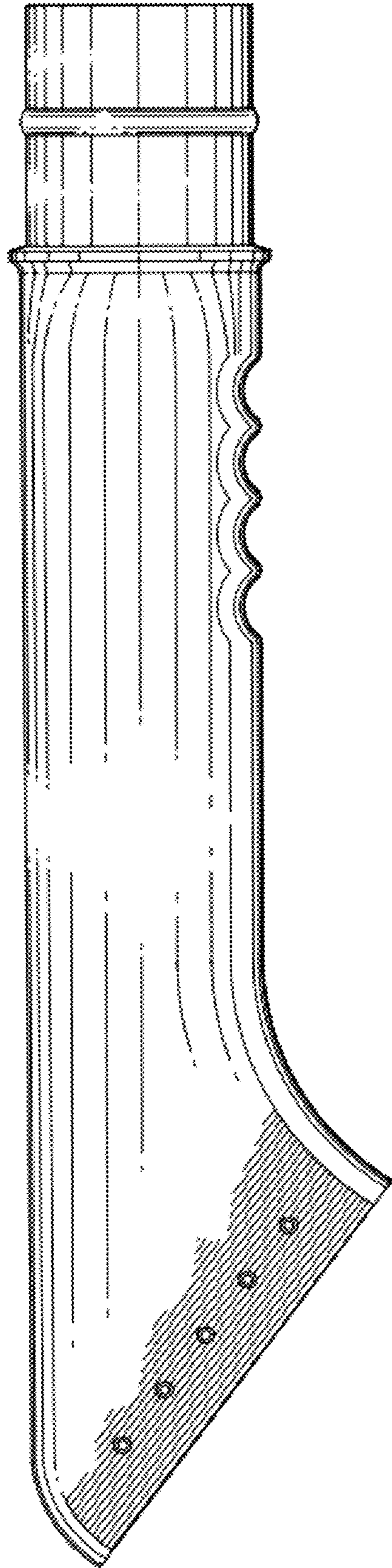


FIG. 3

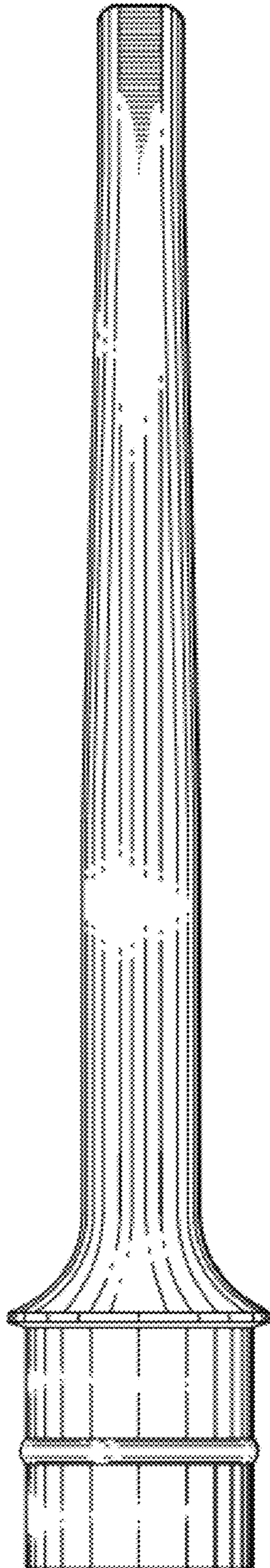


FIG. 4

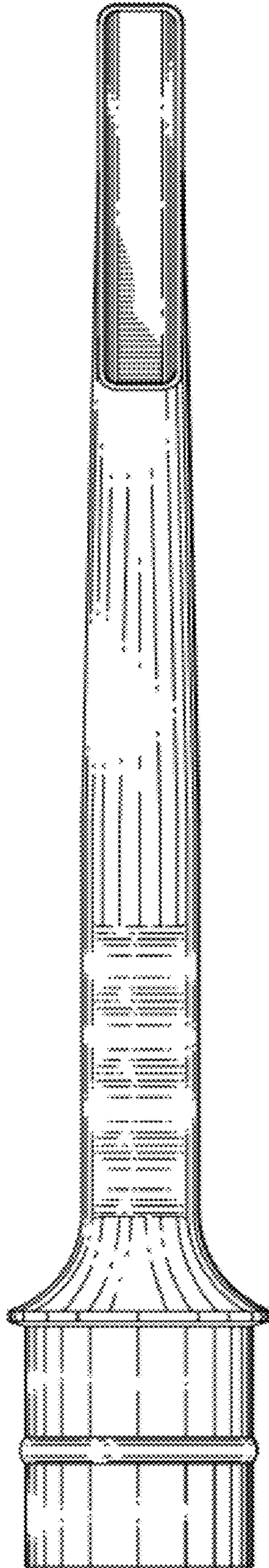


FIG. 5

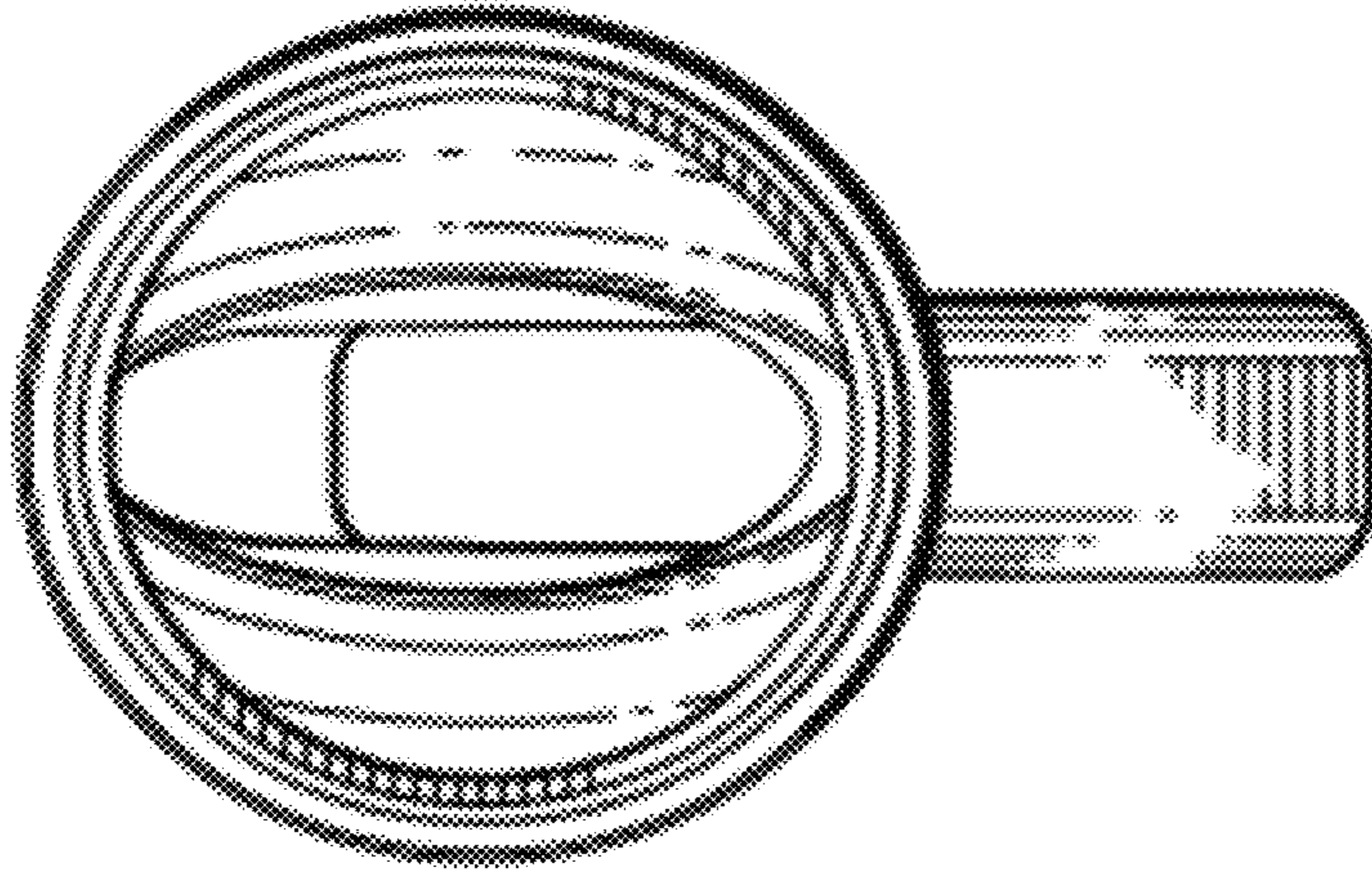


FIG. 7

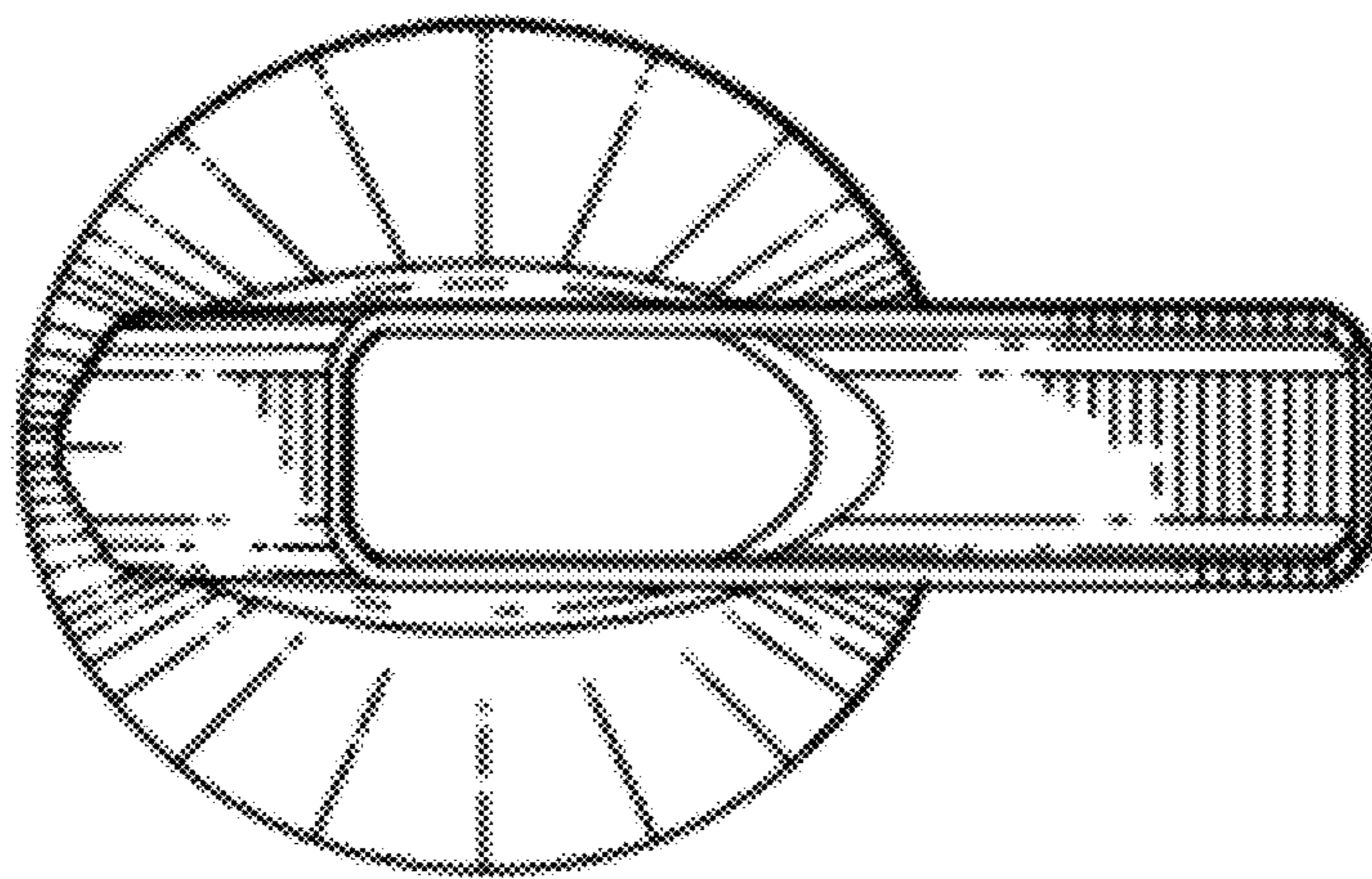


FIG. 6