



US00D666369S

(12) **United States Design Patent**
Williams et al.

(10) **Patent No.:** **US D666,369 S**

(45) **Date of Patent:** **** Aug. 28, 2012**

(54) **COMBINED WET/DRY VACUUM CLEANER WITH INTEGRATED TOOL STORAGE**

(75) Inventors: **Matthew A. Williams**, Bridgeton, MO (US); **Shane Glasgow**, Saint Ann, MO (US); **Douglas K. Ritterling**, Chesterfield, MO (US)

(73) Assignee: **Emerson Electric Co.**, St. Louis, MO (US)

(**) Term: **14 Years**

(21) Appl. No.: **29/378,973**

(22) Filed: **Nov. 12, 2010**

(51) **LOC (9) Cl.** **15-05**

(52) **U.S. Cl.** **D32/23**

(58) **Field of Classification Search** D32/21, D32/23-24, 30-31; 15/327.1-327, 7, 328, 15/340.1, 340.2, 353, 347, 301, 336, 320, 15/314, 352, 412; 55/447, 337, 345, DIG. 3
See application file for complete search history.

(56) **References Cited**

U.S. PATENT DOCUMENTS

2,920,337	A	1/1960	Smith
3,721,071	A	3/1973	Mueller et al.
4,222,145	A	9/1980	Lowder
4,226,000	A	10/1980	Tribolet
4,463,474	A	8/1984	Jacobs
4,640,521	A	2/1987	Berfield
4,888,849	A	12/1989	Hult et al.
5,144,716	A	9/1992	Watanabe et al.
5,146,647	A	9/1992	Blase et al.
5,237,720	A	8/1993	Blase et al.
5,313,686	A	5/1994	Berfield
5,373,606	A	12/1994	Bosyj et al.
5,528,794	A	6/1996	Tomasiak
5,598,605	A	2/1997	Tomasiak
5,606,769	A	3/1997	Tomasiak et al.
5,611,107	A	3/1997	Tomasiak et al.
5,924,165	A	7/1999	Gierer et al.
5,971,497	A	10/1999	Lee

D422,764	S	4/2000	Wood
D426,355	S	6/2000	Rohn et al.
6,098,241	A	8/2000	Wood
6,170,118	B1	1/2001	McIntyre et al.
D438,353	S *	2/2001	Hoshino et al. D32/23
6,219,880	B1	4/2001	Worden et al.
6,237,187	B1	5/2001	Hult et al.
D446,892	S	8/2001	Griffin
D447,292	S	8/2001	Griffin
D447,293	S	8/2001	Griffin
D447,609	S	9/2001	Hult et al.
D447,842	S	9/2001	Griffin
D447,843	S	9/2001	Griffin
D452,052	S	12/2001	Griffin
D454,672	S	3/2002	Griffin
6,378,165	B1	4/2002	Holsten et al.
6,484,348	B1	11/2002	Paterson et al.
6,494,544	B1	12/2002	Berfield et al.
D470,280	S *	2/2003	Griffin et al. D32/23
6,530,116	B2 *	3/2003	Berfield et al. 15/328
6,543,085	B2	4/2003	Holsten et al.

(Continued)

Primary Examiner — Ruth McInroy

(74) *Attorney, Agent, or Firm* — Sutton McLaughan Deaver, PLLC; Monte R. Rhodes

(57) **CLAIM**

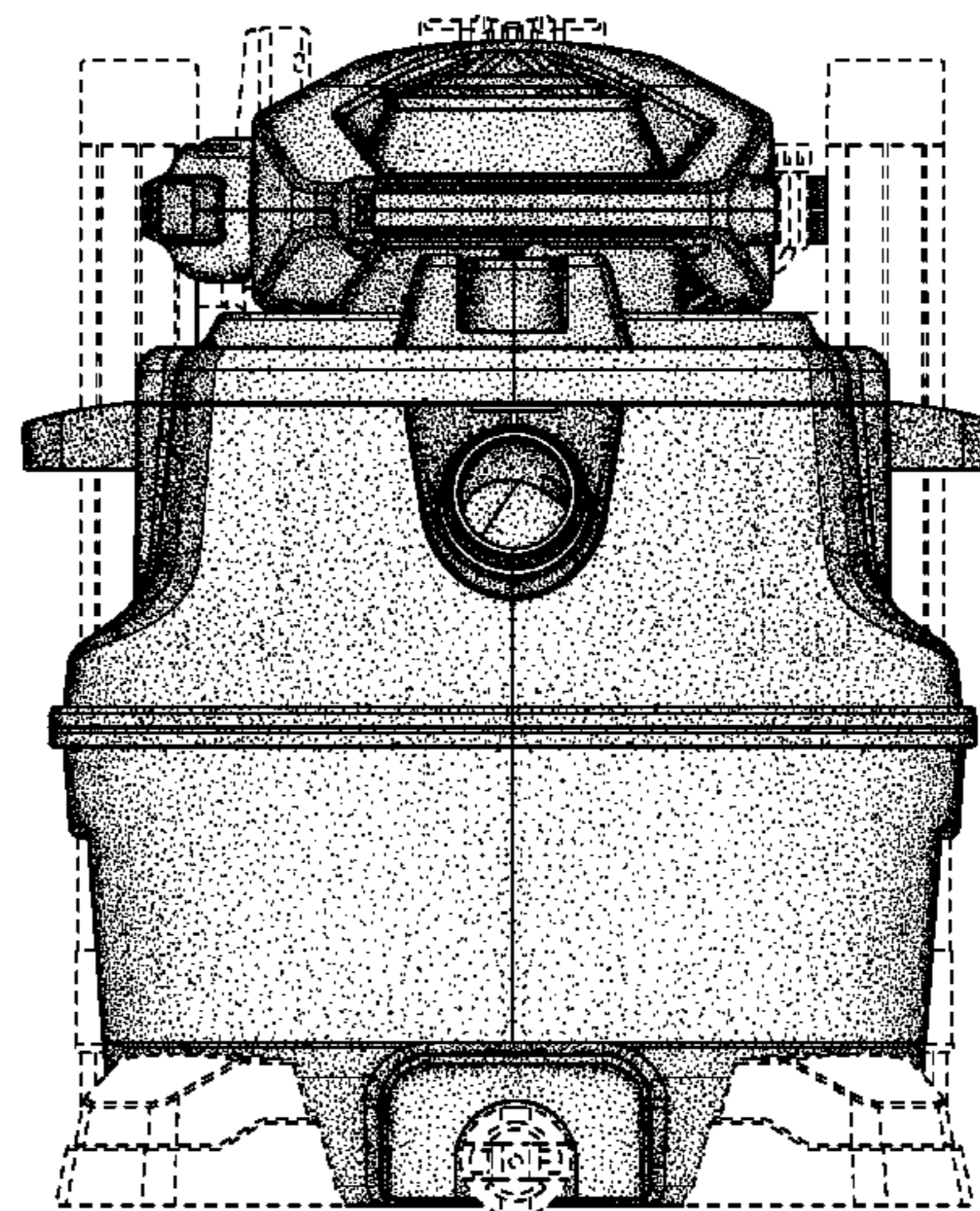
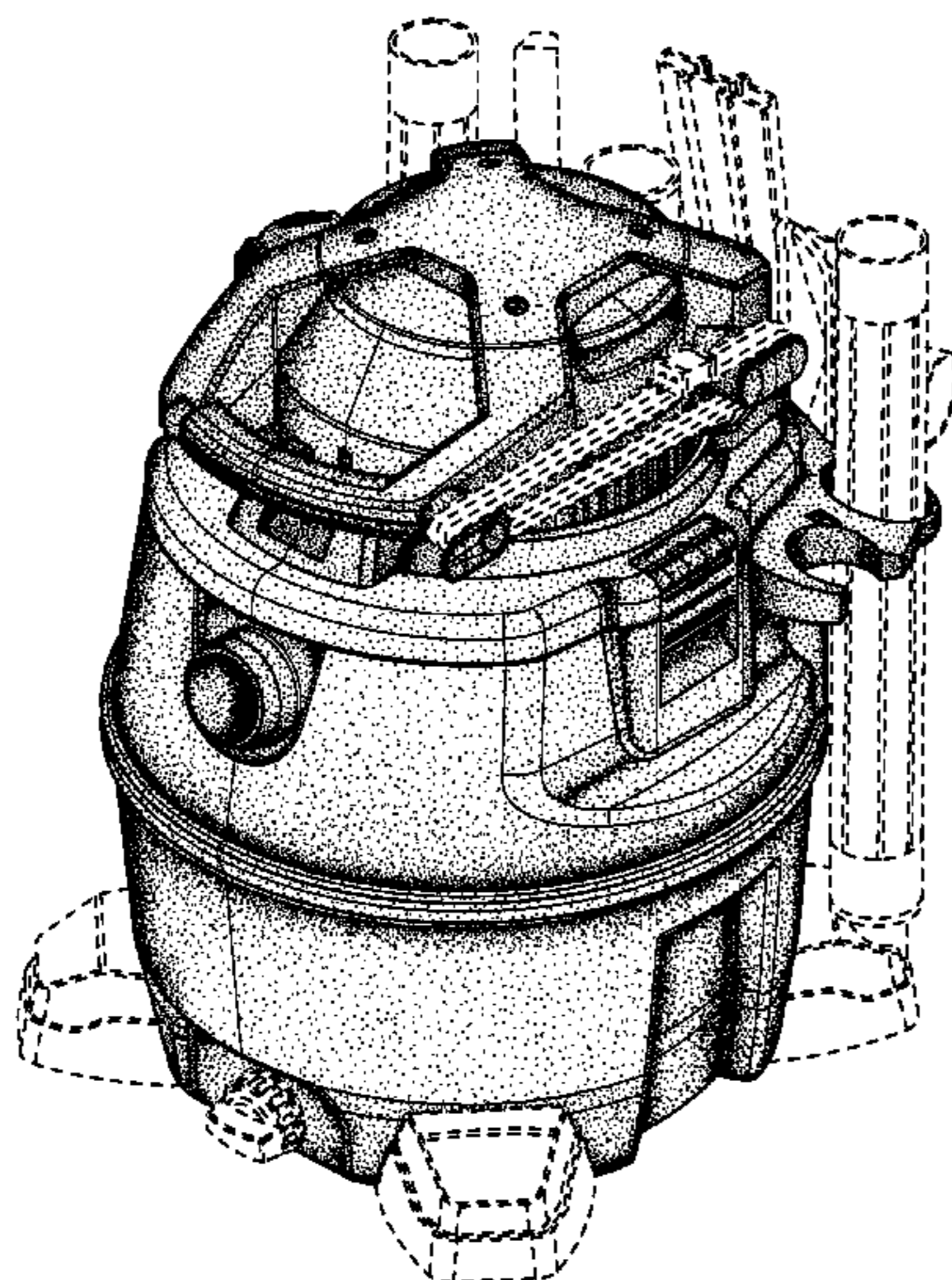
The ornamental design for a combined wet/dry vacuum cleaner with integrated tool storage, as shown and described.

DESCRIPTION

FIG. 1 is an isometric front perspective view of a combined wet/dry vacuum with integrated tool storage;
FIG. 2 is a top plan view thereof;
FIG. 3 is front elevational view thereof;
FIG. 4 is a back elevational view thereof;
FIG. 5 is a side view thereof; and,
FIG. 6 is a side view showing the side opposite that shown in FIG. 5.

The broken lines in the Figures are for the purpose of illustrating exemplary environmental structure and forms no part of the claimed design.

1 Claim, 6 Drawing Sheets



US D666,369 S

Page 2

U.S. PATENT DOCUMENTS

D479,371	S *	9/2003	Griffin et al.	D32/23	7,159,272	B2	1/2007	Holsten et al.	
D486,280	S *	2/2004	Holsten et al.	D32/23	7,237,300	B2	7/2007	Tomasiak et al.	
D492,823	S *	7/2004	Hoshino et al.	D32/23	7,284,297	B2	10/2007	Shanor et al.	
D492,824	S *	7/2004	Tomasiak et al.	D32/23	7,287,301	B2	10/2007	Marshall et al.	
D494,327	S *	8/2004	Song	D32/21	D565,269	S	3/2008	Tomasiak et al.	
6,832,408	B2	12/2004	Roney et al.		D568,013	S *	4/2008	Crevling et al.	D32/23
D506,042	S	6/2005	Griffin et al.		7,526,833	B2	5/2009	Cochran et al.	
D507,386	S	7/2005	Griffin et al.		D614,369	S *	4/2010	Theising et al.	D32/31
6,938,299	B2	9/2005	Martinez et al.		D634,494	S *	3/2011	Theising et al.	D32/31

* cited by examiner

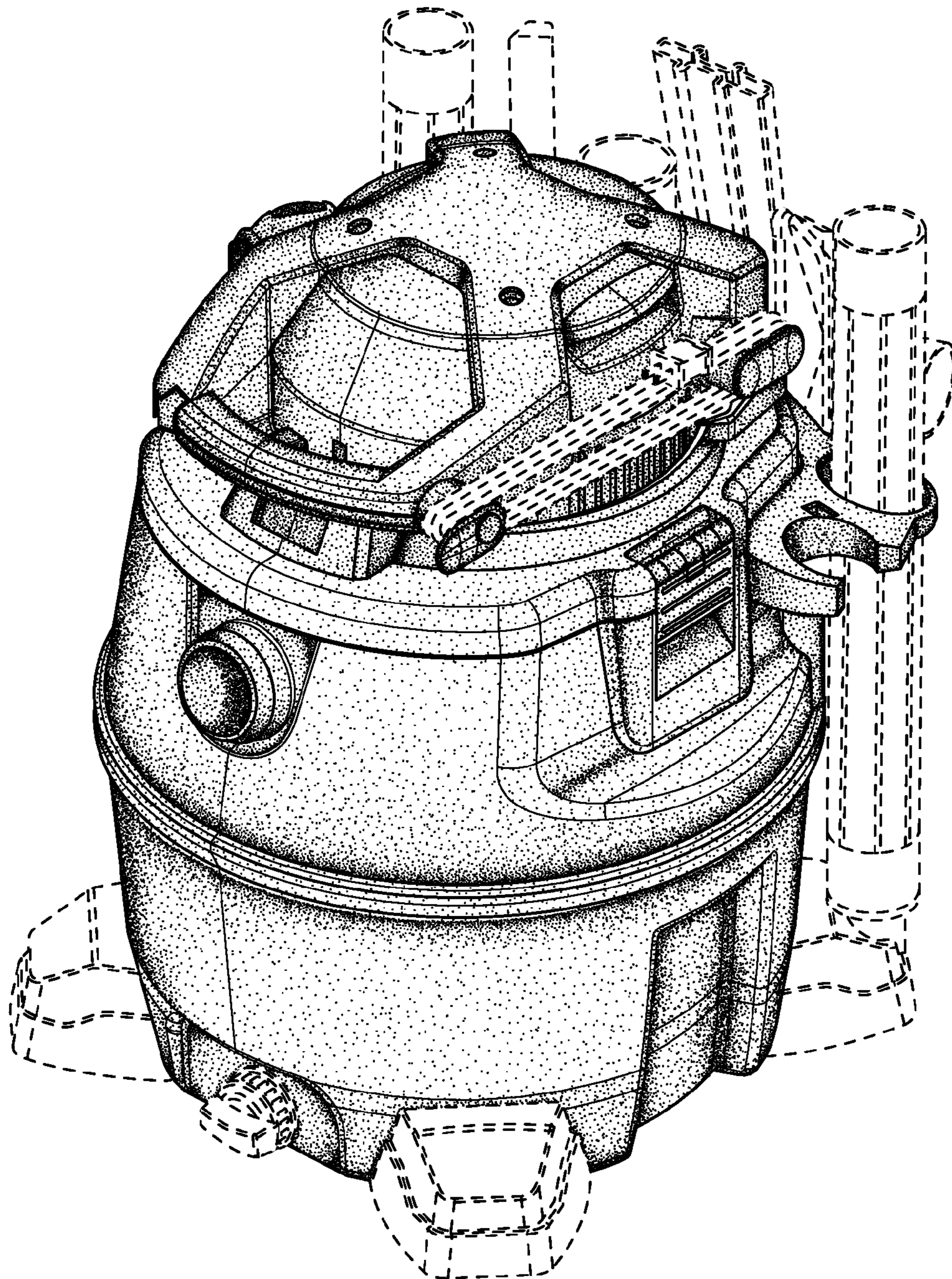


FIG. 1

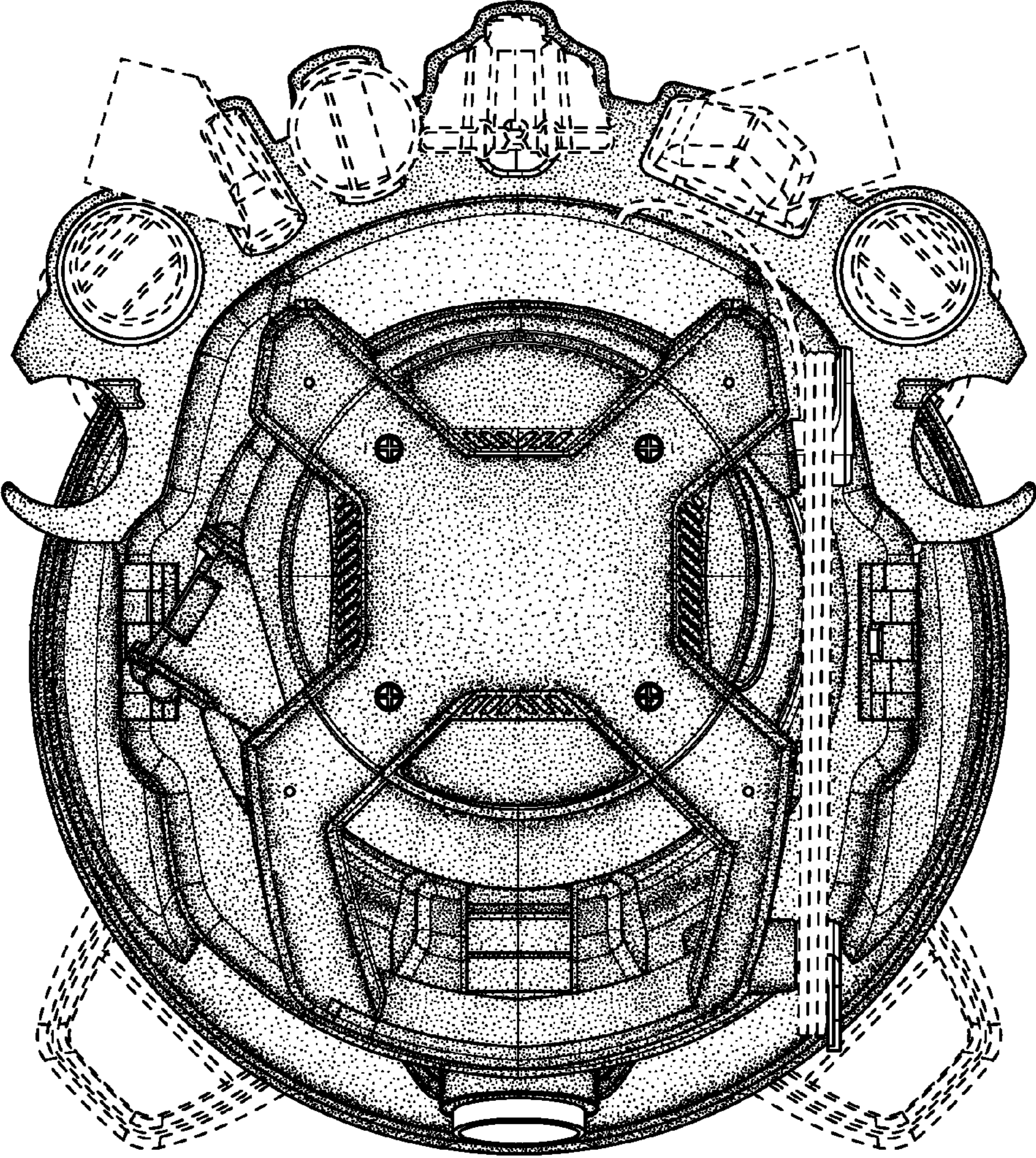


FIG. 2

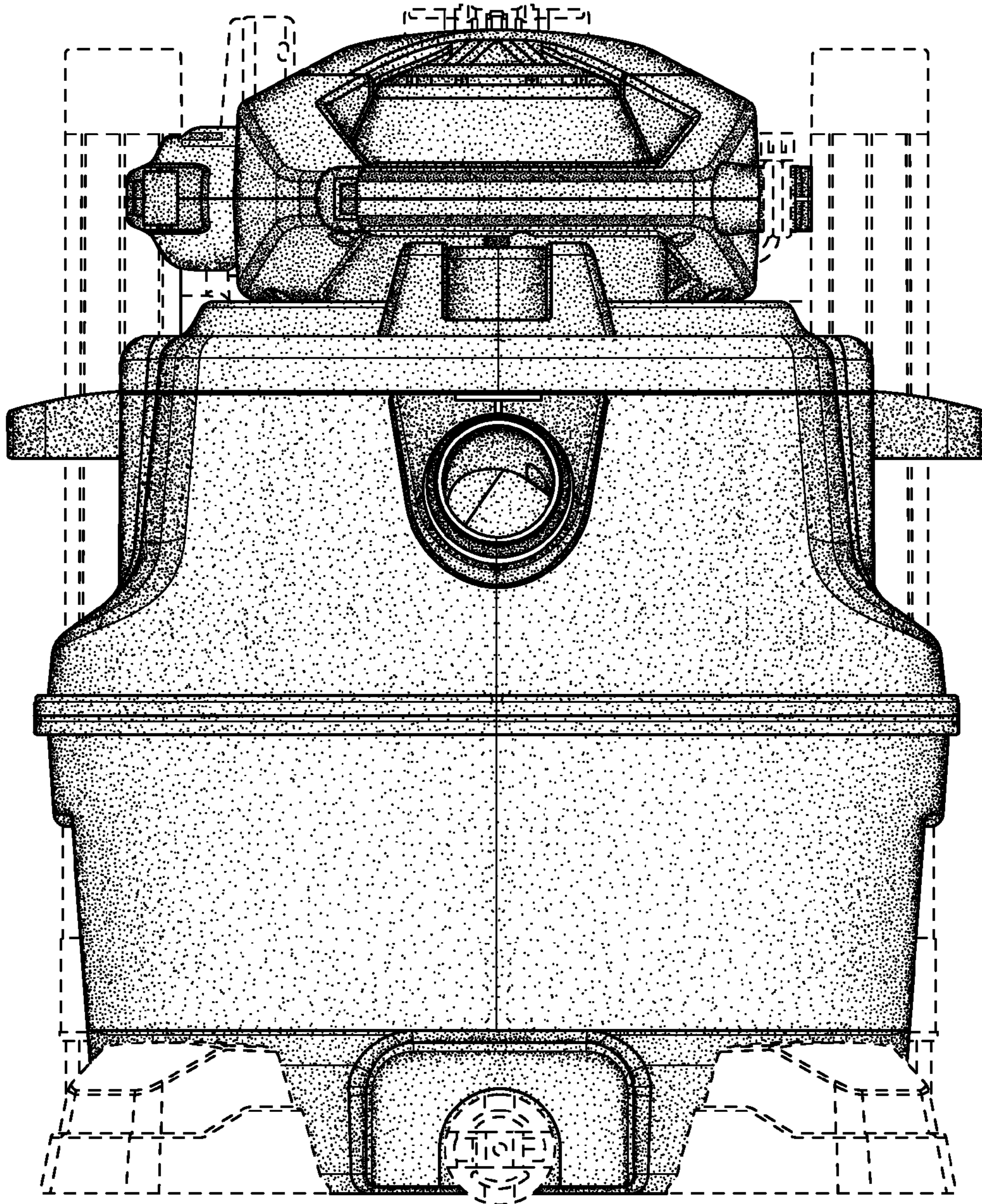


FIG. 3

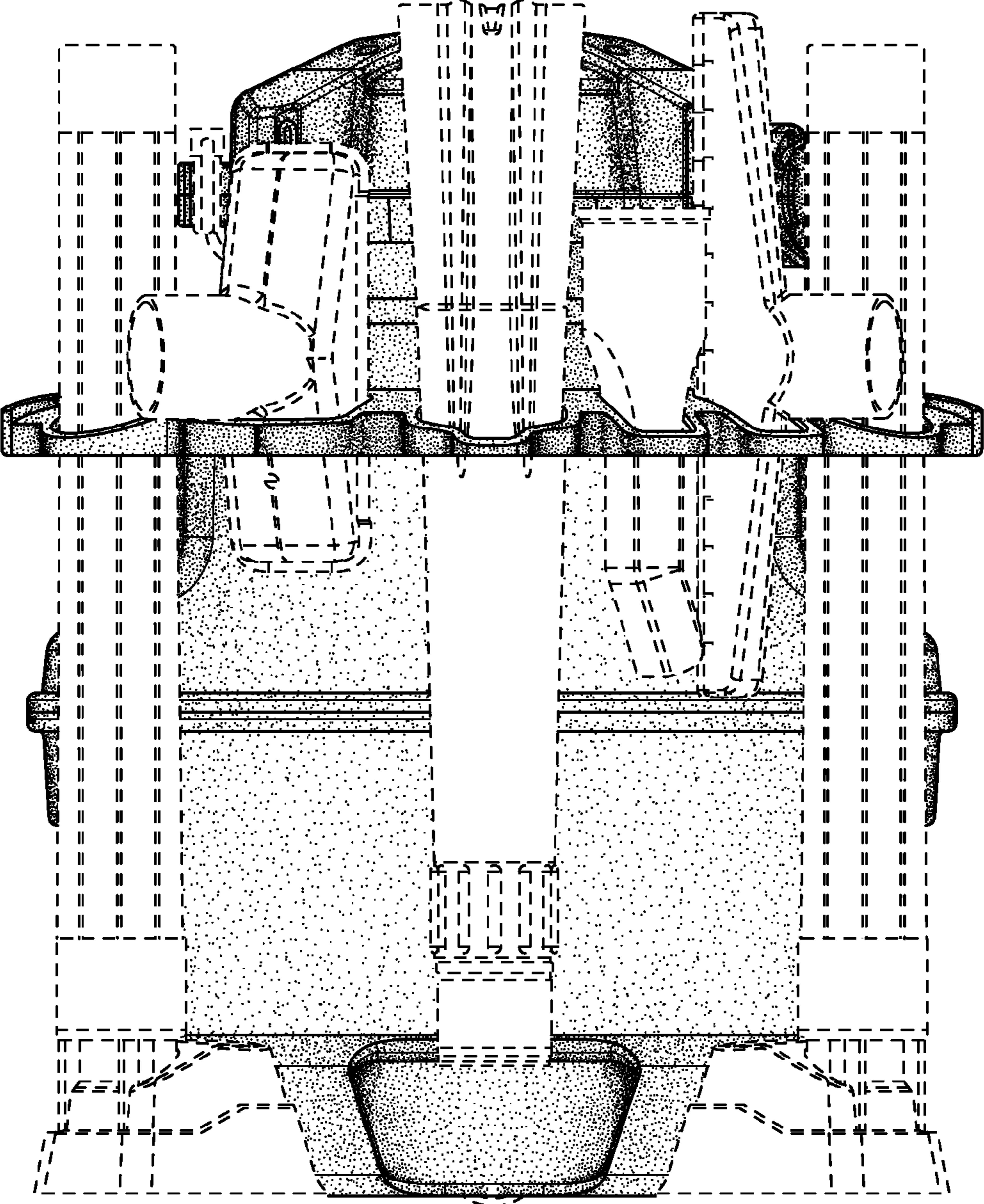


FIG. 4

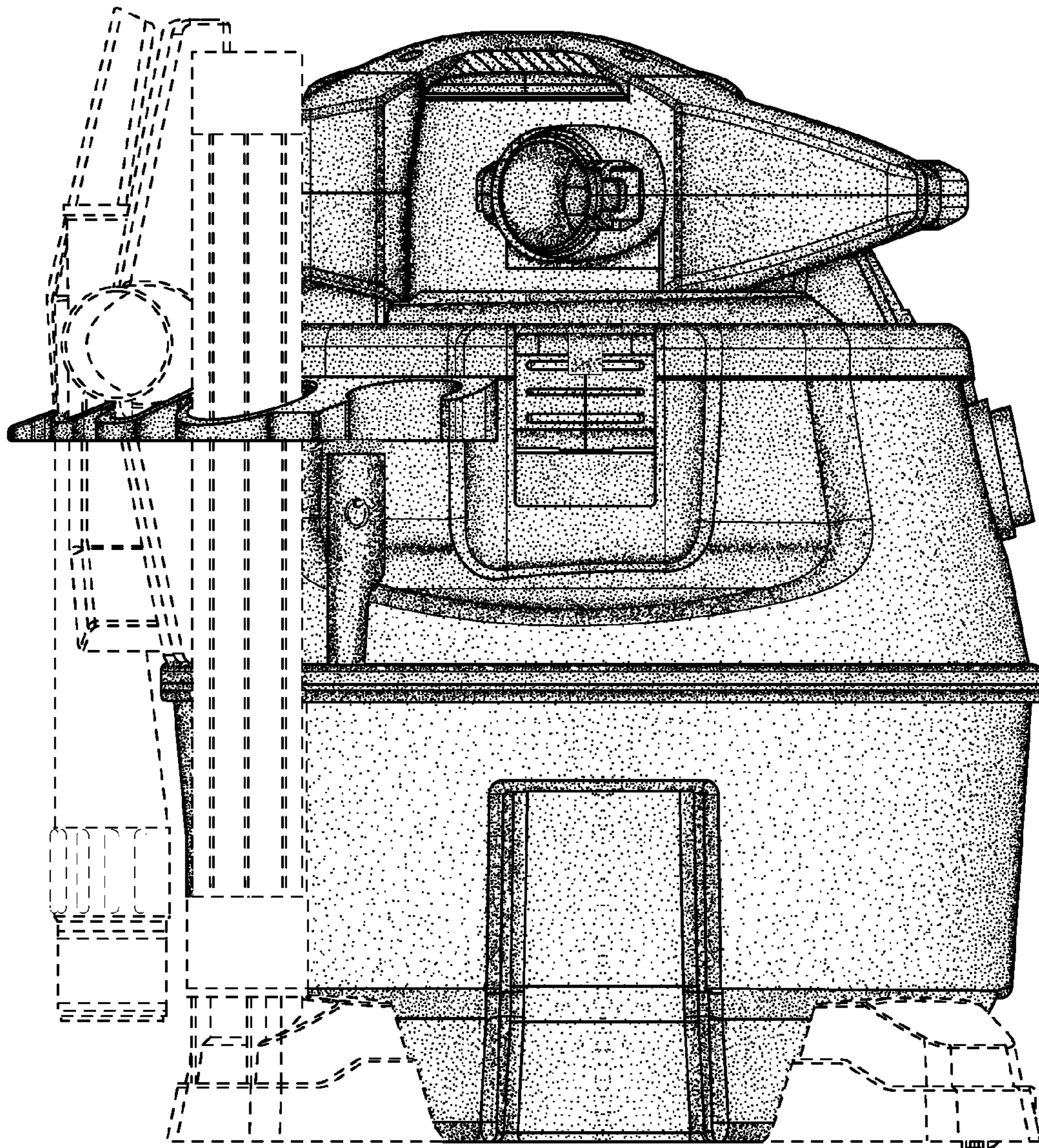


FIG. 5

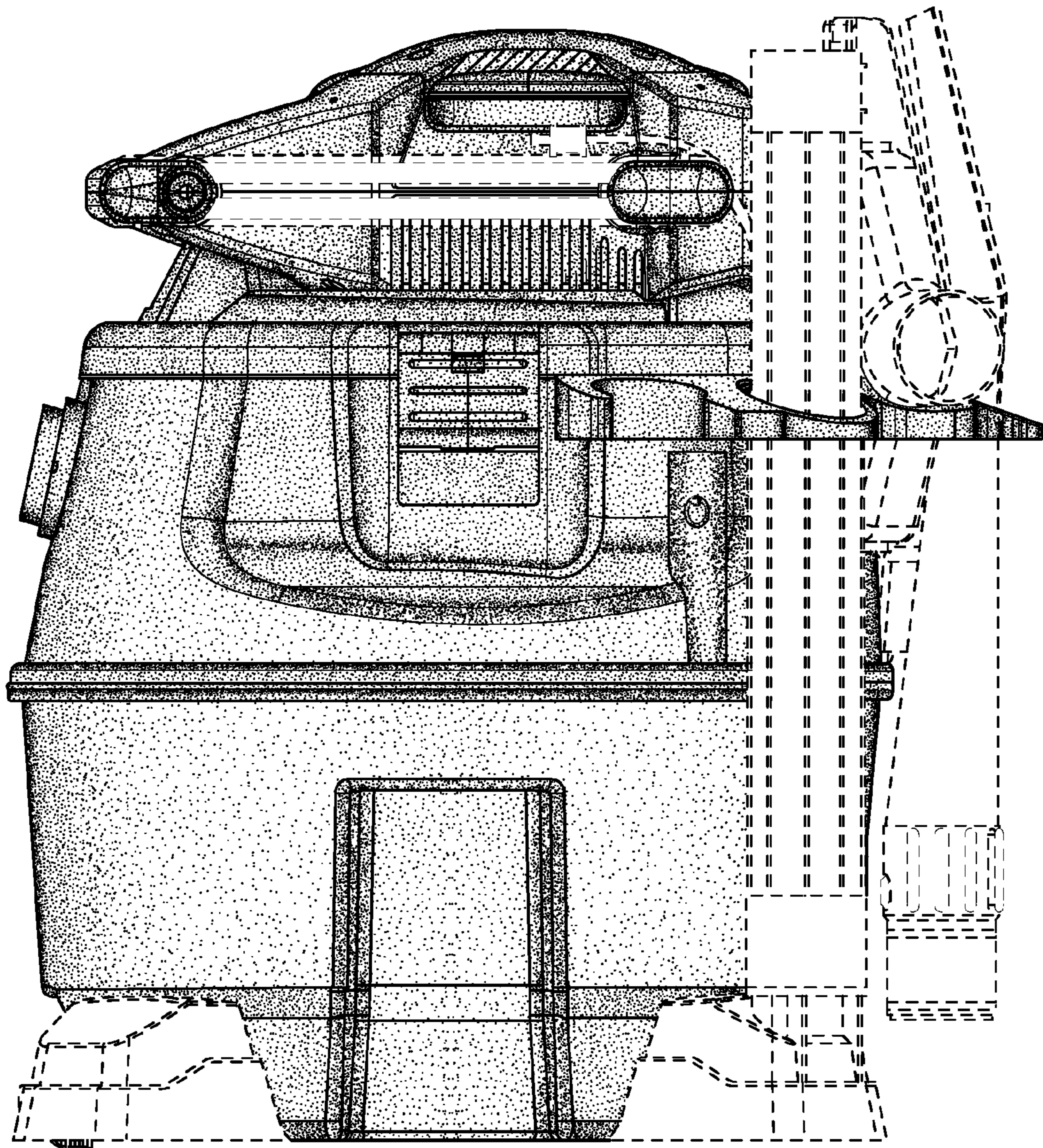


FIG. 6