



US00D666368S

(12) **United States Design Patent**
Ghim et al.

(10) **Patent No.:** **US D666,368 S**
(45) **Date of Patent:** **** Aug. 28, 2012**

(54) **VACUUM CLEANER**

(75) Inventors: **Yong Gyun Ghim**, Seoul (KR); **Hyun Seon Shin**, Gyeonggi-do (KR)

(73) Assignee: **LG Electronics Inc.**, Seoul (KR)

(**) Term: **14 Years**

(21) Appl. No.: **29/387,922**

(22) Filed: **Mar. 21, 2011**

(30) **Foreign Application Priority Data**

Oct. 1, 2010 (KR) 30-2010-0043011

(51) **LOC (9) Cl.** **15-05**

(52) **U.S. Cl.** **D32/22**

(58) **Field of Classification Search** D32/16,
D32/17, 22, 31, 34; 15/347, 353, 320, 340.2,
15/350-351, 363, 410-411, 327.1, 71.1,
15/79.1, 79.2; 55/337, 459.1, DIG. 3, 429
See application file for complete search history.

(56) **References Cited**

U.S. PATENT DOCUMENTS

D462,813 S * 9/2002 Nakano et al. D32/22
D462,814 S * 9/2002 Sugimoto D32/22

D510,465 S * 10/2005 Takahashi et al. D32/22
7,152,273 B2 * 12/2006 Courtney 15/320
D553,814 S * 10/2007 Parr et al. D32/22
D587,870 S * 3/2009 Baek et al. D32/22
D607,160 S * 12/2009 Yu et al. D32/22
D610,317 S * 2/2010 Lee et al. D32/22
D610,318 S * 2/2010 Shin D32/22
D633,264 S * 2/2011 Lee D32/22
7,981,181 B2 * 7/2011 Yoo 55/459.1
2011/0035899 A1 * 2/2011 Charlton et al. 15/347

* cited by examiner

Primary Examiner — Ruth McInroy

(74) *Attorney, Agent, or Firm* — Birch, Stewart, Kolasch & Birch, LLP

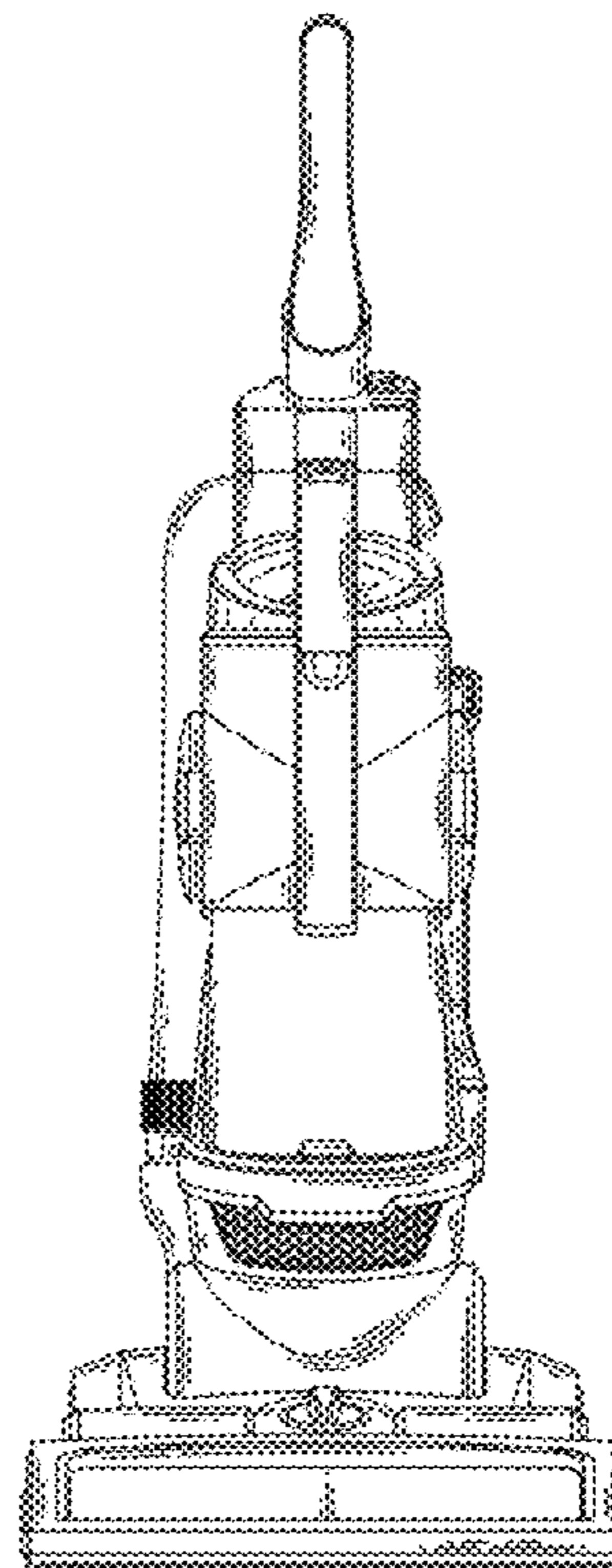
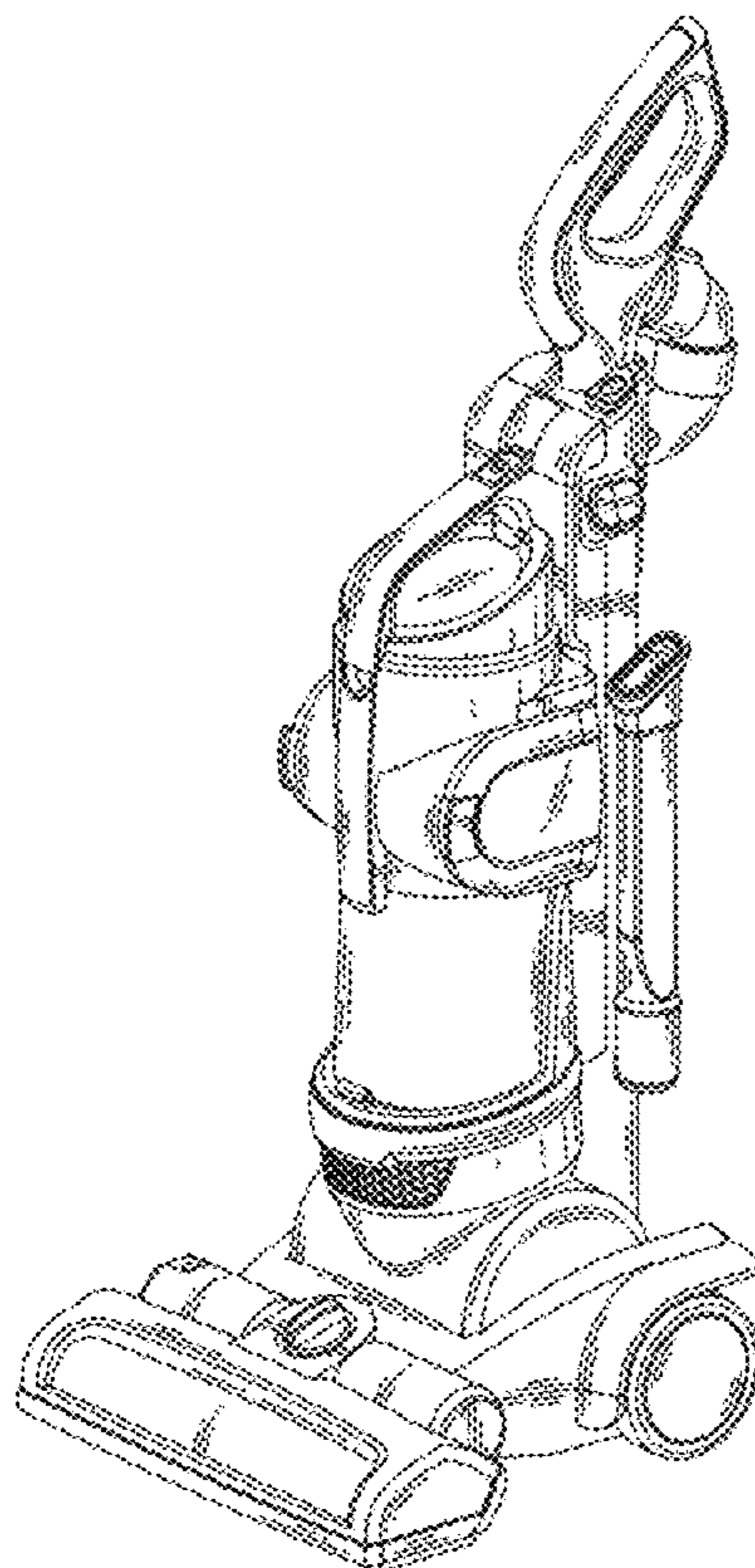
(57) **CLAIM**

We claim the ornamental design for a vacuum cleaner, as shown and described.

DESCRIPTION

FIG. 1 is a perspective view of a vacuum cleaner showing our new design;
FIG. 2 is a front elevation view thereof;
FIG. 3 is a rear elevation view thereof;
FIG. 4 is a left-side elevation view thereof;
FIG. 5 is a right-side elevation view thereof;
FIG. 6 is a top plan view thereof; and,
FIG. 7 is a bottom plan view thereof.

1 Claim, 5 Drawing Sheets



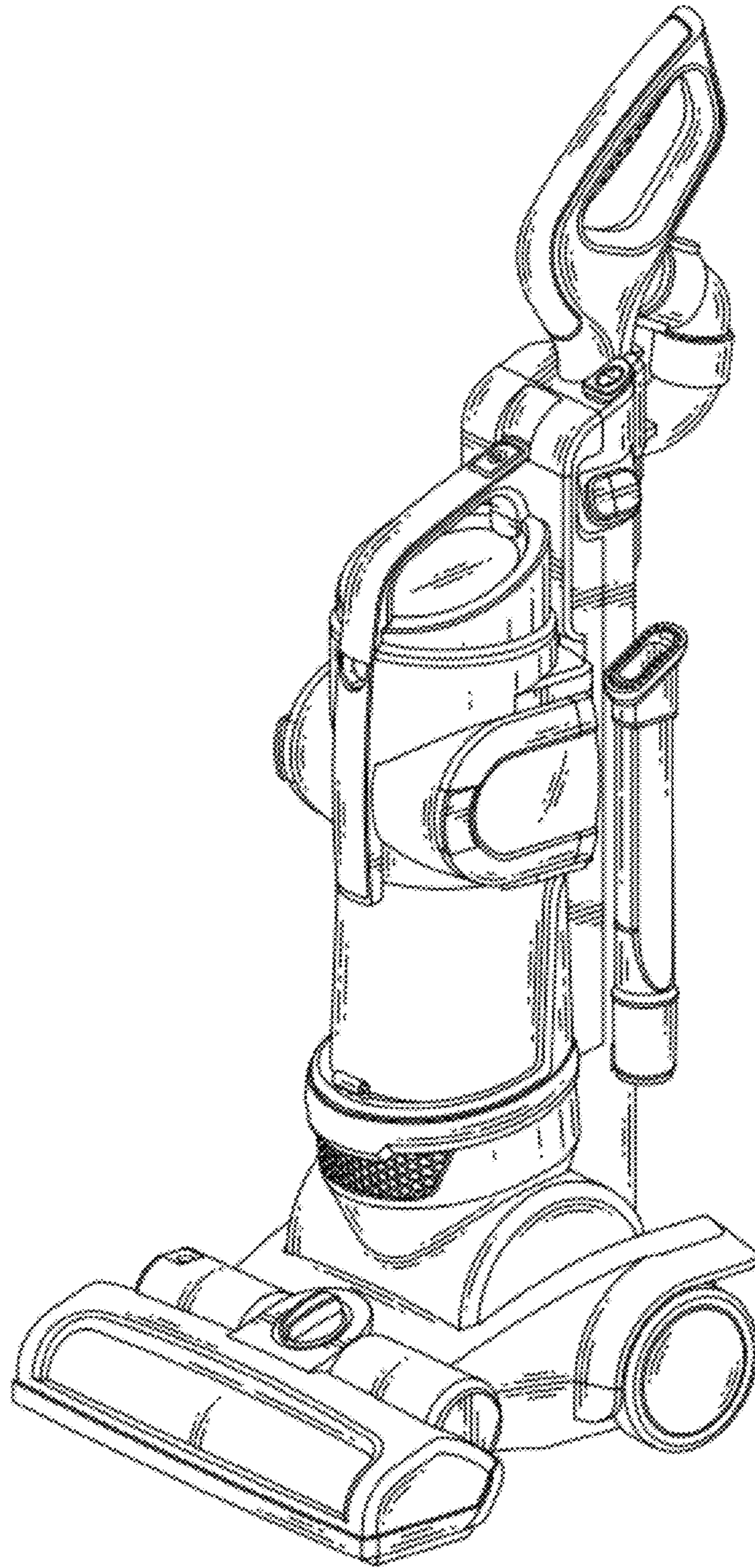


FIG. 1

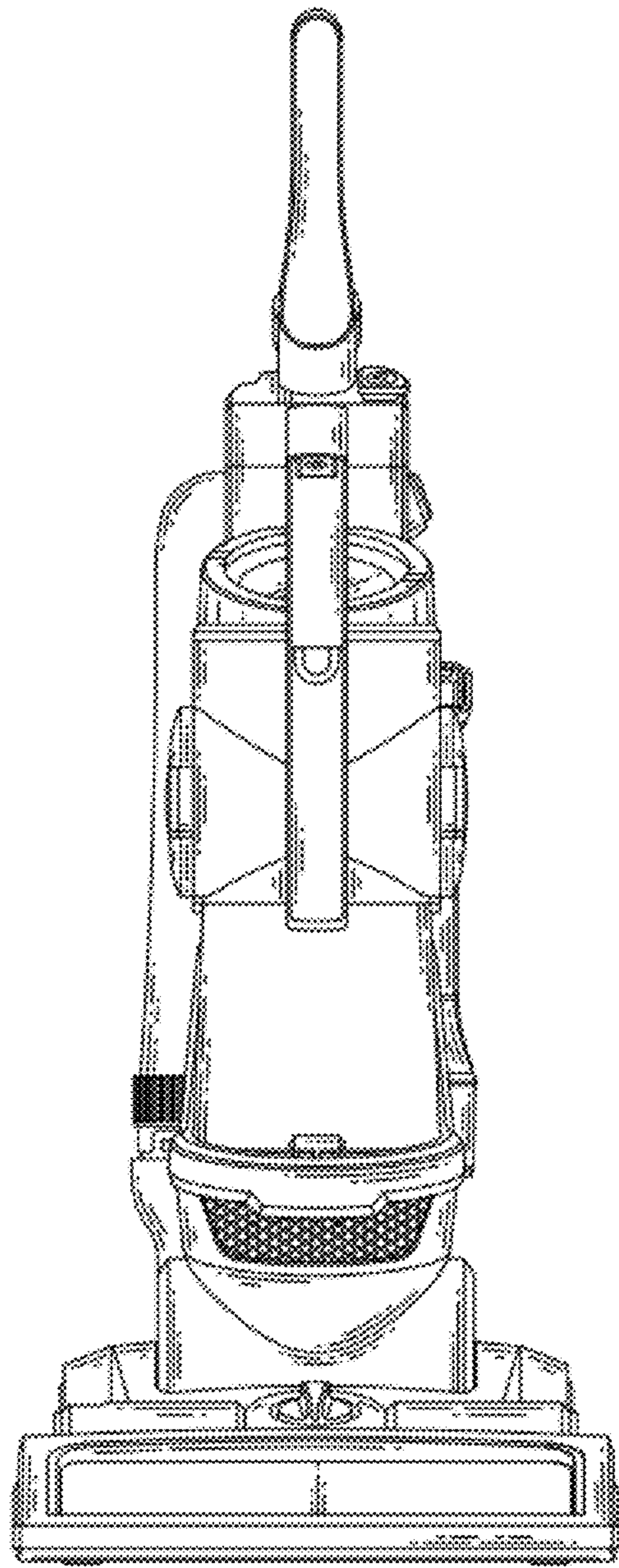


FIG. 2

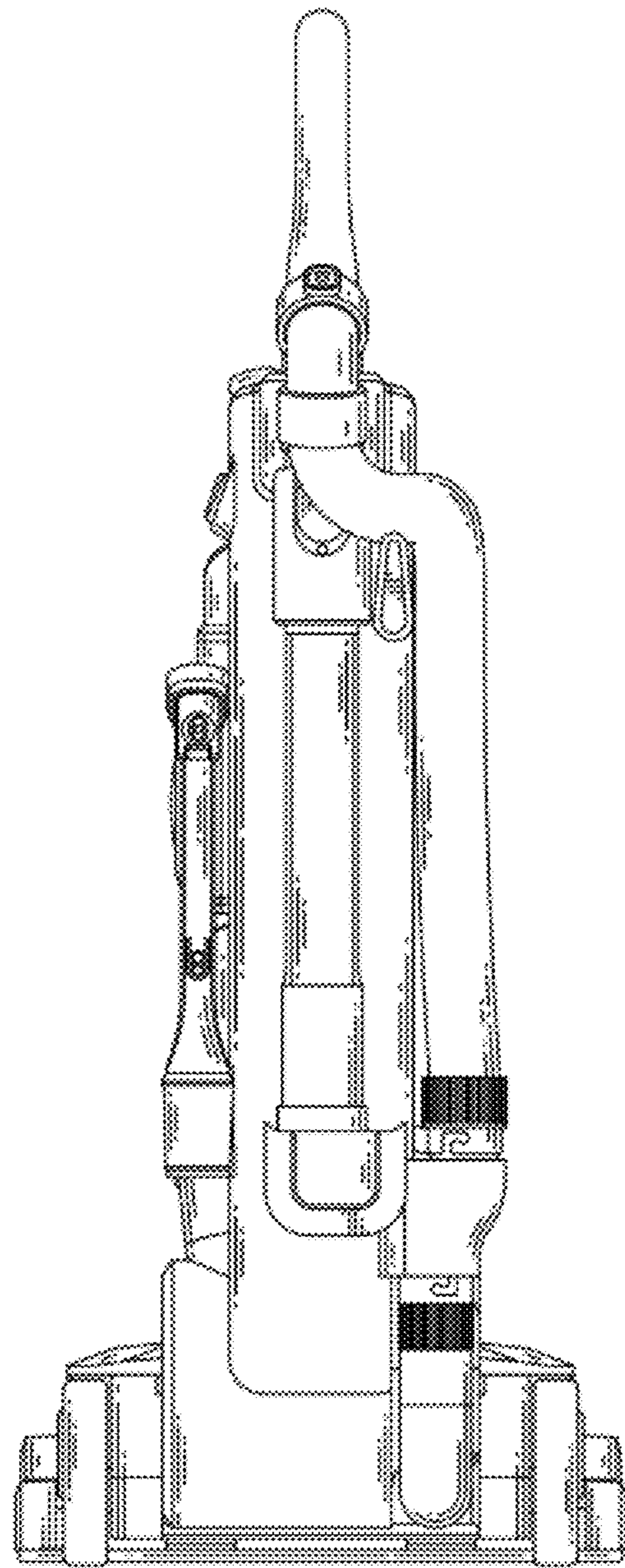


FIG. 3

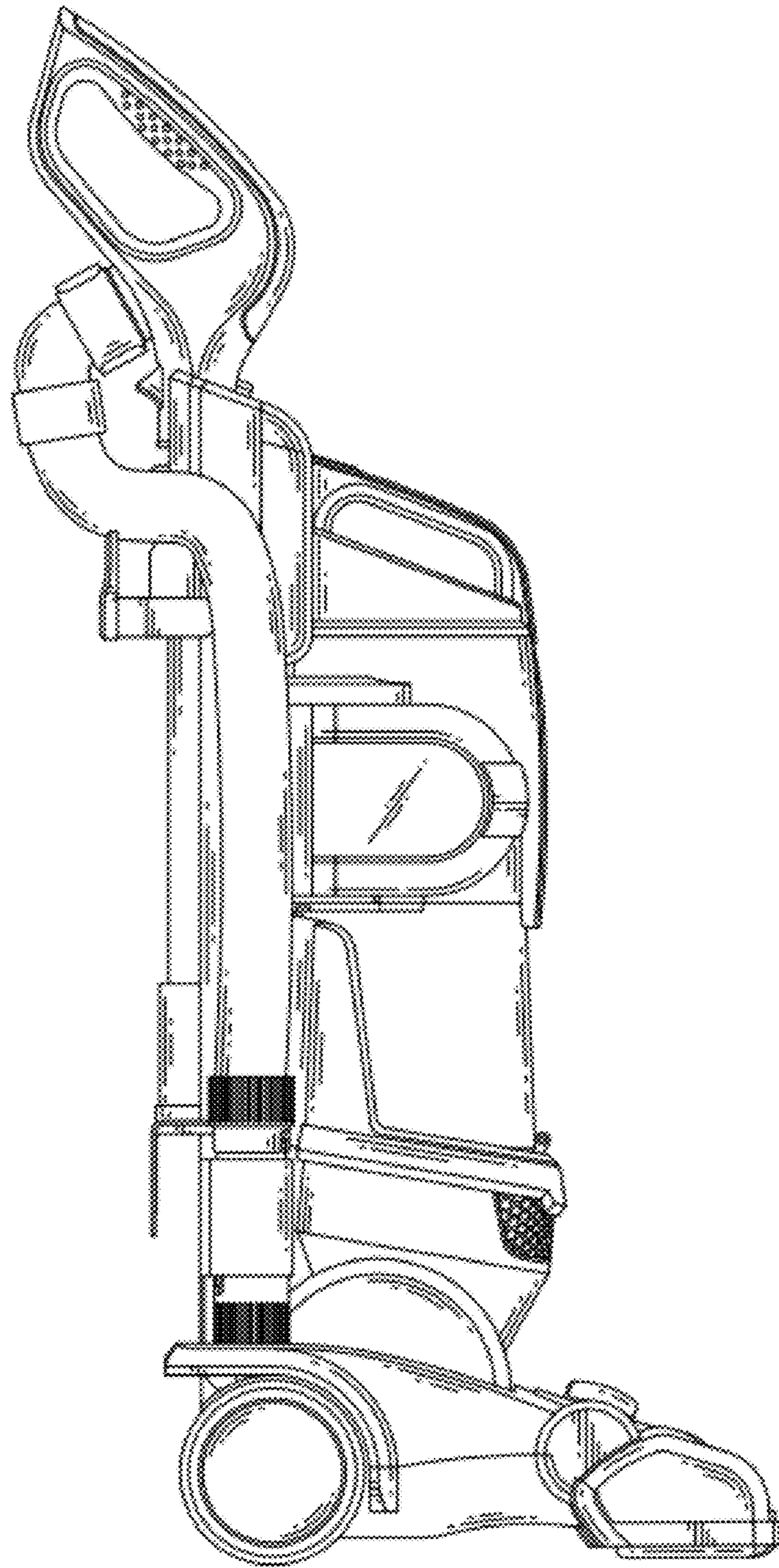


FIG.4

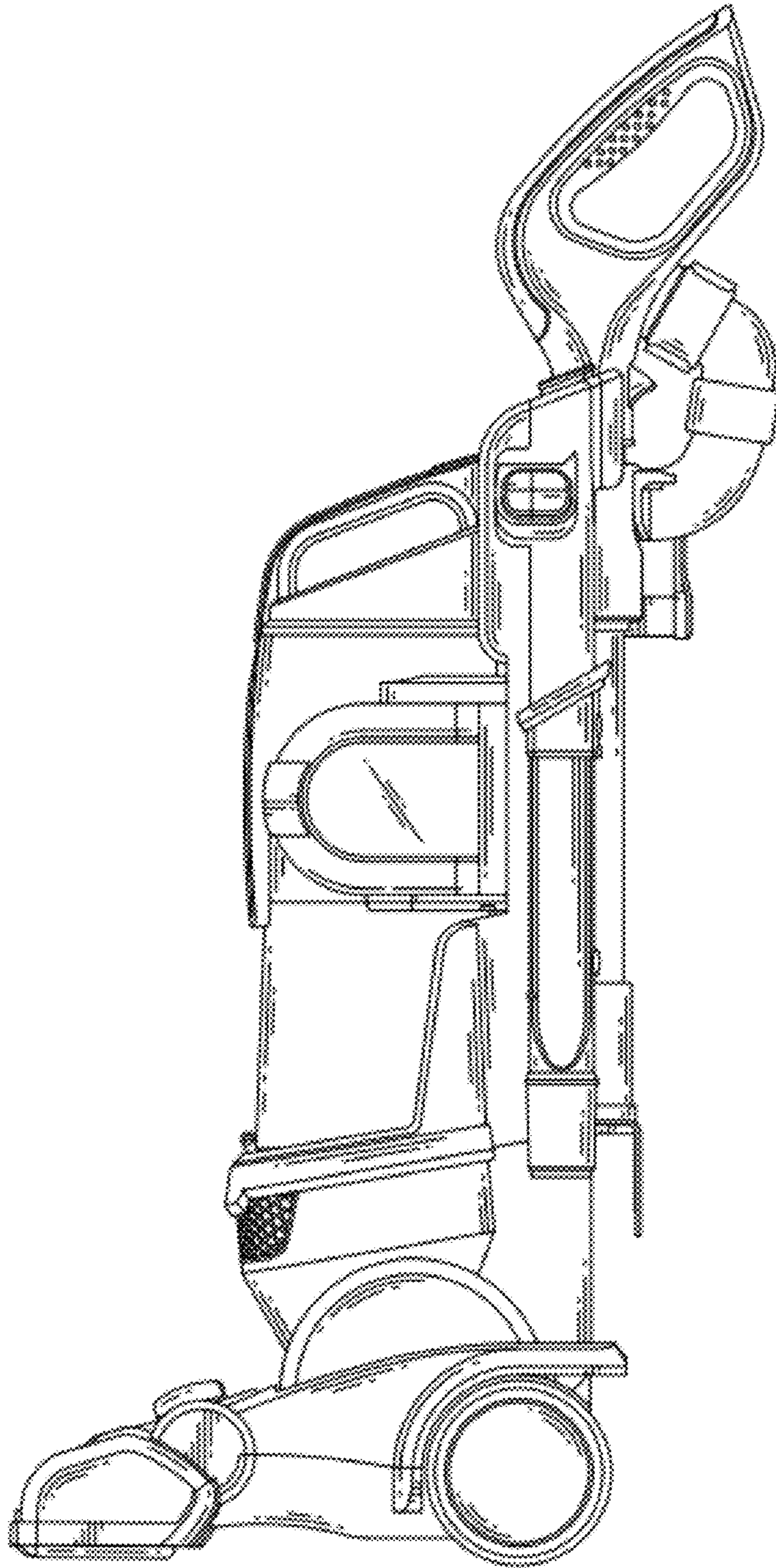


FIG.5

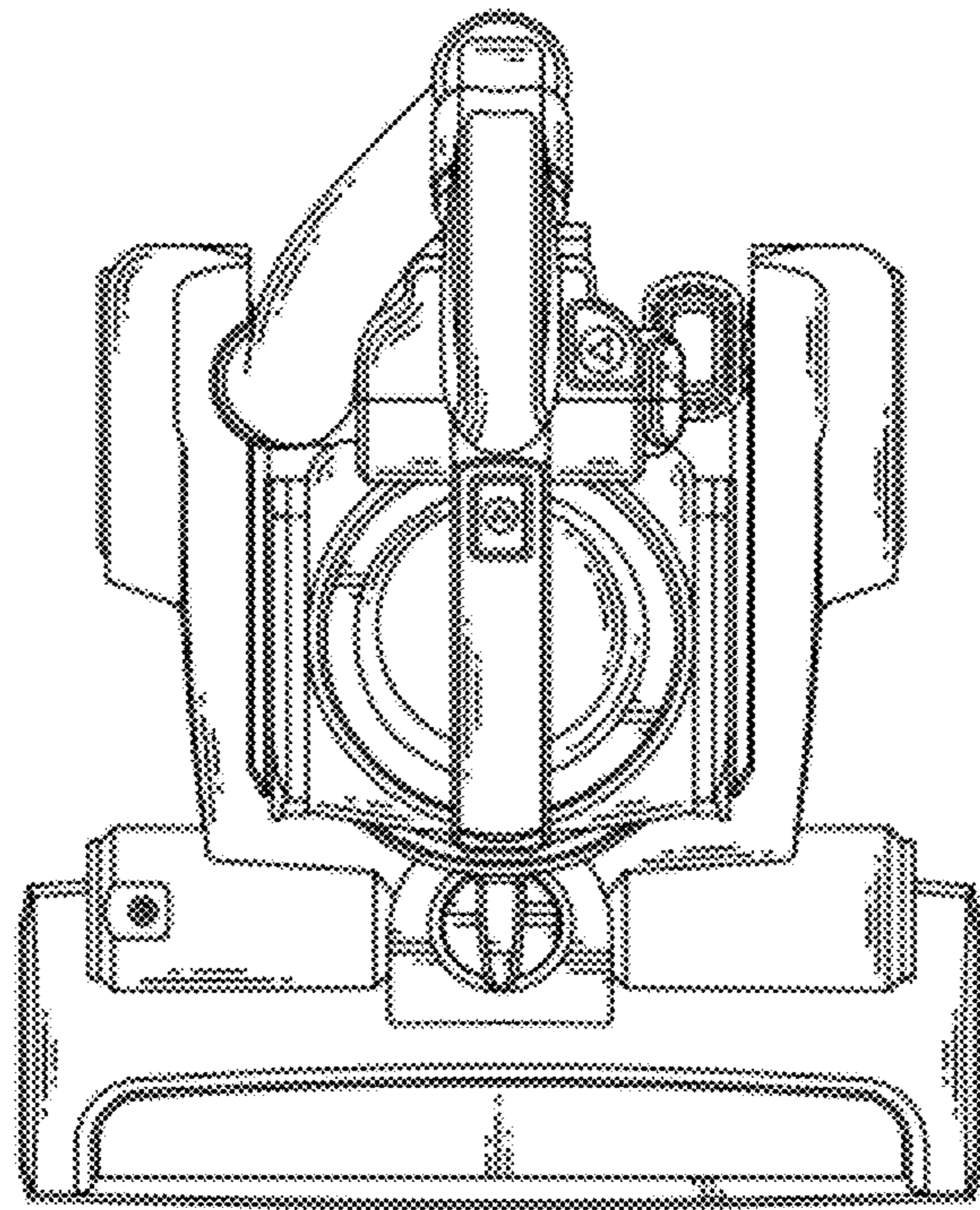


FIG. 6

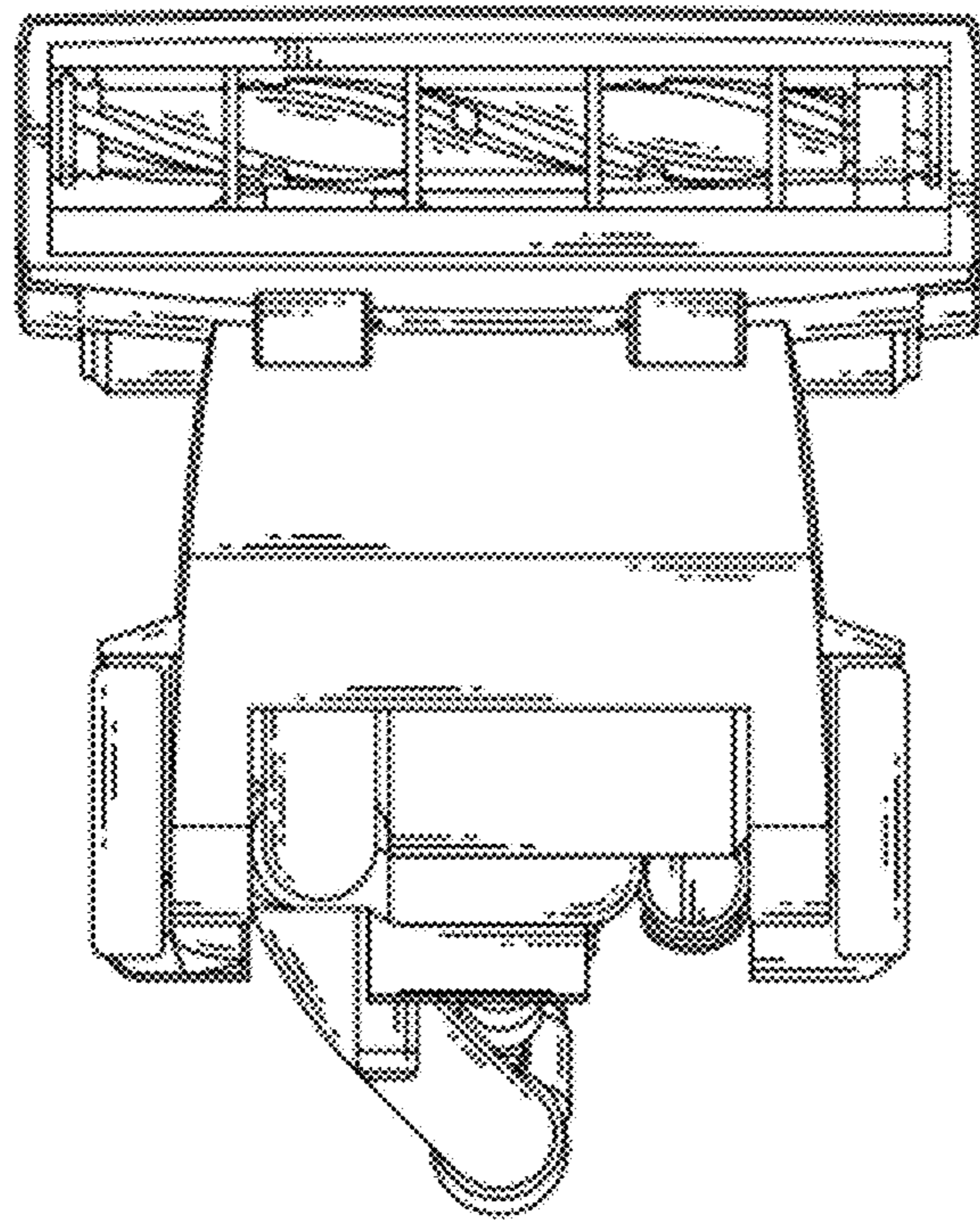


FIG. 7