



US00D666367S

(12) **United States Design Patent**
Miller et al.

(10) **Patent No.:** **US D666,367 S**
(45) **Date of Patent:** **** Aug. 28, 2012**

(54) **BARK COLLAR HOUSING**

(75) Inventors: **Channing Miller**, Fort Lauderdale, FL (US); **Michael Scalpato**, Boca Raton, FL (US); **Kim Wah Chung**, Shatin (HK); **Wing-Hung Tang**, Tsuen Wan (HK)

(73) Assignee: **Sunbeam Products, Inc.**, Boca Raton, FL (US)

(**) Term: **14 Years**

(21) Appl. No.: **29/418,482**

(22) Filed: **Apr. 17, 2012**

Related U.S. Application Data

(62) Division of application No. 29/408,477, filed on Dec. 13, 2011, now Pat. No. Des. 661,846.

(51) **LOC (9) Cl.** **30-04**

(52) **U.S. Cl.** **D30/152**; D30/199; D30/155

(58) **Field of Classification Search** D30/151–155, D30/144; 119/850, 855–860, 862–865, 654, 119/712–721, 725, 760, 762–776, 791–794, 119/815, 821, 724, 655, 51.02, 660, 174, 119/907, 908, 905; 24/16 R, 17 AP, 3.5 P, 24/188, 662, 324, 3.6, 307, 625, 616, 200, 24/196, 171, 169, 112, 614, 615, 115 F, 620, 24/681, 602, 306, 442, 274 R, 302, 300, 301, 24/298, 323, 16 PB, 265 H; D11/3, 12, 200, D11/7, 79–87, 97, 99, 107, 108, 137, 105, D11/103, 1, 2, 40–44, 46–49, 53, 56, 57, D11/59–61, 63, 65, 89, 90–92, 101, 106, D11/114–116, 201, 208–210, 212–218, 220, D11/230–234, 236, 237, 94, 6, 11, 93; D2/609, D2/627, 624, 632, 635, 976, 629, 631, 636, D2/614, 610, 639; 2/300, 311–319, 321, 2/322, 338, 339, 237, 170, DIG. 11, 365,

2/307, 308, 910, 917; D24/195, 211, 189, D24/190, 192; D3/207–212, 270–271.3, D3/327; D26/38; 206/37.1, 38.1; D6/302–304; 70/456 R, 456 B, 458, 459, 18, 49, 58; D8/1, D8/34, 38, 18, 394, 382, 396; 54/19.1; 63/1.11, 63/3.1, 3.2, 3, 9, 37, 38, 18–20, 23, 12, 13, 63/14.1, 21, 31, 15.2, 15, 1.13, 5.1, 1.1, 501, 63/22; 59/85, 89, 80, 81, 82, 79.3; 424/409; 43/131; 446/314, 376; 428/28; 606/203, 606/204, 201; 602/62; 128/876, DIG. 15; 40/633; 473/212, 216; 604/20; 231/7; 361/232; 403/212, 213, 391; 256/57, 47; 410/97, 23, 410/7; 292/307 R; 340/573.3; D10/104.1

See application file for complete search history.

(56) **References Cited**

U.S. PATENT DOCUMENTS

D227,272 S * 6/1973 Bozard D30/199
(Continued)

Primary Examiner — Susan Moon Lee

(74) *Attorney, Agent, or Firm* — Seth M. Blum

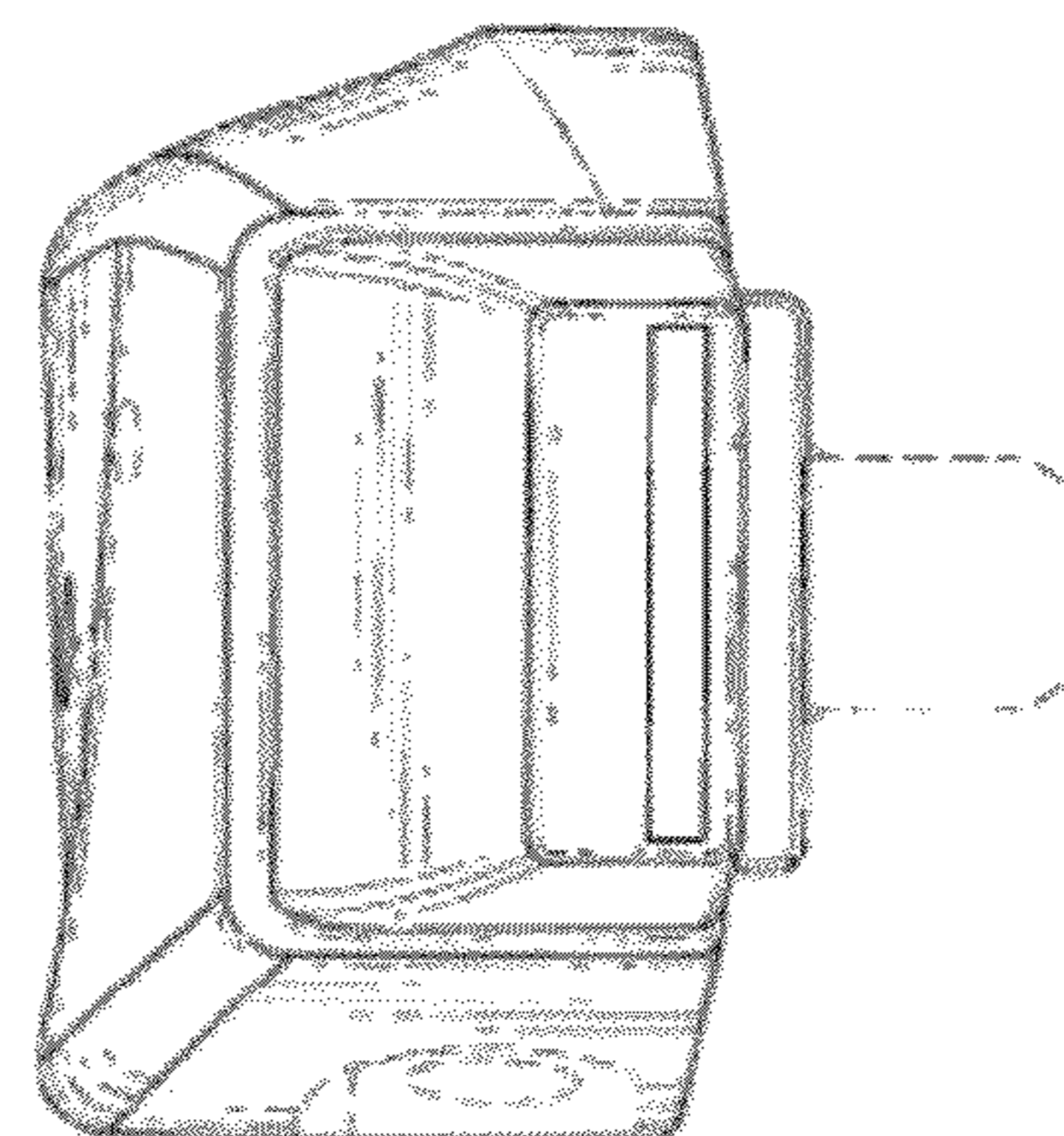
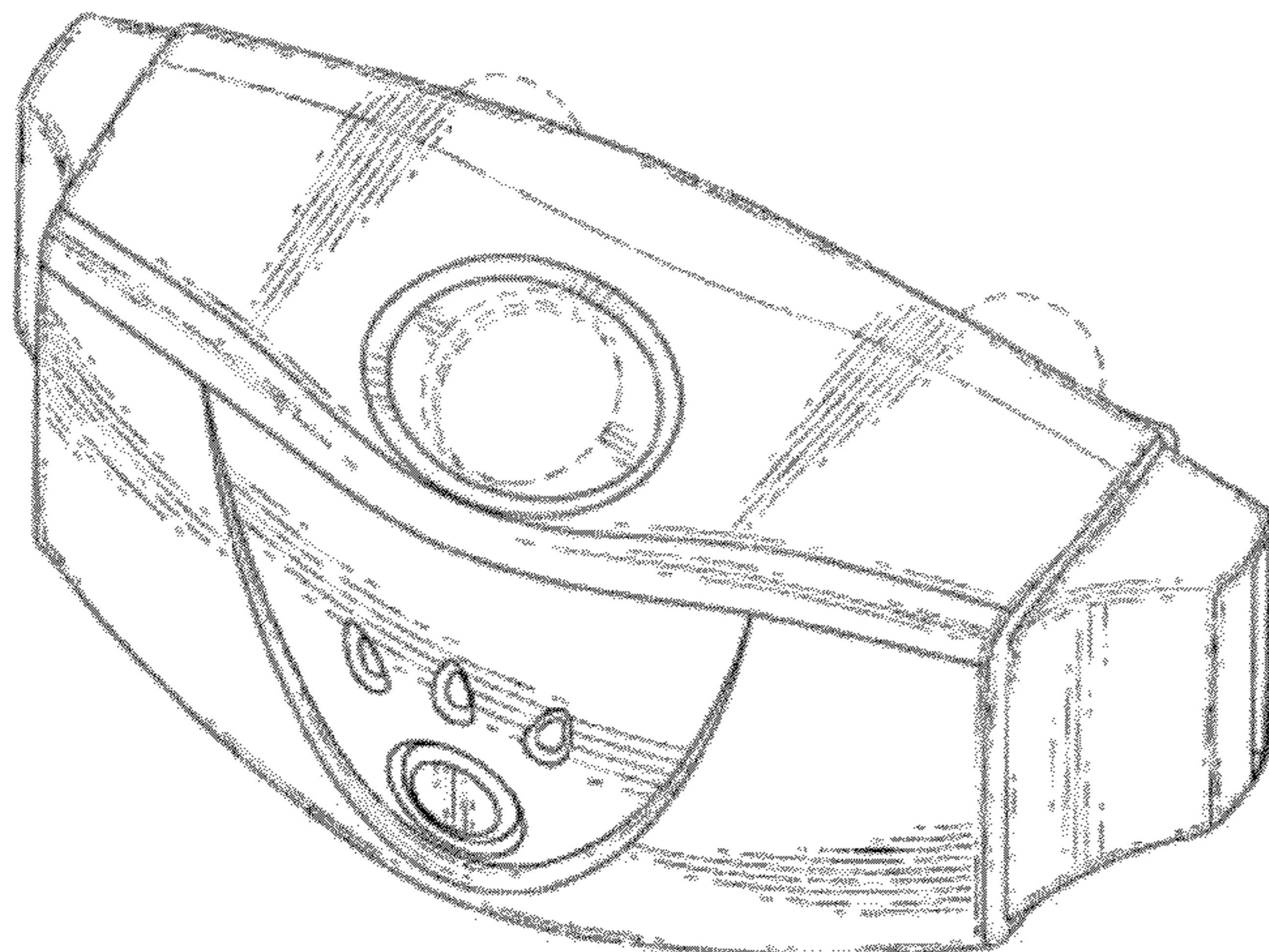
(57) **CLAIM**

We claim the ornamental design for a bark collar housing, as shown and described.

DESCRIPTION

FIG. 1 is a front left perspective view of a bark collar housing; FIG. 2 is front view thereof; FIG. 3 is back view thereof; FIG. 4 is the top view thereof; FIG. 5 is the bottom view thereof; FIG. 6 is the left view thereof; and, FIG. 7 is the right view thereof.
The broken line portions are not claimed.

1 Claim, 2 Drawing Sheets



US D666,367 S

U.S. PATENT DOCUMENTS

4,480,589	A *	11/1984	Schneider	119/865	D553,037	S *	10/2007	Zakharyan et al.	D30/199
D278,384	S *	4/1985	Wilson	D2/614	D555,298	S *	11/2007	Garon	D30/152
4,612,719	A *	9/1986	de Jong	40/658	D564,372	S *	3/2008	Bhavnani	D10/40
4,669,424	A *	6/1987	Bianco et al.	119/650	7,382,328	B2 *	6/2008	Lee et al.	343/718
4,748,938	A *	6/1988	Owen	119/650	D574,282	S *	8/2008	Hill	D10/104.1
4,890,580	A *	1/1990	Owen et al.	119/650	D586,249	S *	2/2009	Elsemore	D10/104.1
4,977,614	A *	12/1990	Kurcbart	455/193.1	D587,614	S *	3/2009	Schwanitz et al.	D10/106.1
D330,173	S *	10/1992	Juliana et al.	D30/152	7,552,699	B2 *	6/2009	Moore	119/719
5,161,485	A *	11/1992	McDade	119/859	D597,878	S *	8/2009	Aikawa	D10/104.1
D358,107	S *	5/1995	Bossen	D10/104.1	7,578,034	B2 *	8/2009	Bier et al.	24/3.6
5,515,033	A *	5/1996	Matarazzo	340/573.3	D600,582	S *	9/2009	Treharne	D10/106.2
D376,553	S *	12/1996	Heun	D10/104.1	D600,583	S *	9/2009	Treharne	D10/106.2
5,603,094	A *	2/1997	Greear, Jr.	455/66.1	7,644,685	B2 *	1/2010	Groh et al.	119/856
5,617,814	A *	4/1997	Bianco et al.	119/720	D613,188	S *	4/2010	Bialek-Wester	D10/40
D380,692	S *	7/1997	Heun	D30/152	D622,685	S *	8/2010	Garra et al.	D14/137
D385,855	S *	11/1997	Ronzani	D14/344	7,845,311	B2 *	12/2010	So	119/720
D387,898	S *	12/1997	Ronzani	D3/215	7,864,057	B2 *	1/2011	Milnes et al.	340/573.1
D400,458	S *	11/1998	Titus et al.	D10/104.1	D632,853	S *	2/2011	Hardi et al.	D30/155
D410,206	S *	5/1999	Slater	D10/104.1	D640,151	S *	6/2011	Hill	D10/65
5,923,255	A *	7/1999	Vahdatshoar	340/573.4	7,990,274	B2 *	8/2011	Hill	340/573.3
5,952,925	A *	9/1999	Secker	340/573.2	D645,774	S *	9/2011	Chowdhary	D11/3
D417,039	S *	11/1999	Smith et al.	D30/152	2002/0050250	A1 *	5/2002	Peterson et al.	119/721
D417,410	S *	12/1999	De Tracy et al.	D30/152	2002/0073933	A1 *	6/2002	Oakman	119/721
D420,301	S *	2/2000	Henderson	D10/104.1	2004/0206310	A1 *	10/2004	Hutchins	119/720
D420,610	S *	2/2000	Pinchuk	D10/104.1	2005/0211187	A1 *	9/2005	Harman et al.	119/721
D421,234	S *	2/2000	Hall et al.	D10/104.1	2005/0225449	A1 *	10/2005	Blakeway	340/573.4
6,072,392	A *	6/2000	Henderson et al.	340/539.15	2005/0232083	A1 *	10/2005	Borsina et al.	367/139
D438,809	S *	3/2001	Kim et al.	D10/104.1	2005/0248453	A1 *	11/2005	Fechter	340/539.15
D440,509	S *	4/2001	Greene	D30/199	2005/0280546	A1 *	12/2005	Ganley et al.	340/573.4
D447,074	S *	8/2001	Chan	D10/104.1	2006/0037560	A1 *	2/2006	So	119/721
D450,007	S *	11/2001	Volanski et al.	D10/104.1	2006/0109110	A1 *	5/2006	Hill et al.	340/539.13
D453,484	S *	2/2002	Christianson	D10/104.1	2006/0208017	A1 *	9/2006	Hartzband	224/164
6,392,549	B1 *	5/2002	Wu	340/573.2	2006/0232429	A1 *	10/2006	Gonzalez	340/573.1
D469,029	S *	1/2003	So	D10/104.1	2007/0209604	A1 *	9/2007	Groh et al.	119/858
D471,514	S *	3/2003	Jacobson et al.	D13/103	2007/0220919	A1 *	9/2007	Loetscher et al.	63/3.2
D473,481	S *	4/2003	So	D10/104.1	2007/0221139	A1 *	9/2007	Reinhart	119/720
D478,830	S *	8/2003	So	D30/199	2007/0222624	A1 *	9/2007	Eicken et al.	340/573.3
D478,831	S *	8/2003	So	D10/104.1	2008/0061990	A1 *	3/2008	Milnes et al.	340/573.1
D482,979	S *	12/2003	So	D10/104.1	2008/0067193	A1 *	3/2008	Powers et al.	222/175
6,661,344	B2 *	12/2003	Bowling	340/573.3	2008/0072842	A1 *	3/2008	King	119/719
6,720,881	B1 *	4/2004	Halliday	340/573.4	2008/0111697	A1 *	5/2008	Hill	340/573.3
6,868,941	B1 *	3/2005	Hermann	182/3	2009/0108039	A1 *	4/2009	Sherman	224/577
6,928,958	B2 *	8/2005	Crist et al.	119/718	2009/0237256	A1 *	9/2009	Garrison	340/573.4
D513,236	S *	12/2005	Hunt et al.	D13/168	2009/0289844	A1 *	11/2009	Palsgrove et al.	342/357.07
6,992,582	B2 *	1/2006	Hill et al.	340/539.13	2010/0026500	A1 *	2/2010	Lee	340/573.4
D515,251	S *	2/2006	Silverlieb	D30/152	2010/0085192	A1 *	4/2010	Nagelski et al.	340/572.9
6,996,029	B1 *	2/2006	Boyd et al.	367/139	2010/0109878	A1 *	5/2010	Desrosiers	340/573.4
D520,894	S *	5/2006	Zakharyan	D30/199	2010/0238033	A1 *	9/2010	Blumel et al.	340/573.4
D523,998	S *	6/2006	Nottingham et al.	D30/152	2010/0315239	A1 *	12/2010	Yang	340/572.9
7,069,878	B2 *	7/2006	Mugford	119/712	2011/0061605	A1 *	3/2011	Hardi et al.	119/721
D526,590	S *	8/2006	So	D10/104.1	2011/0094454	A1 *	4/2011	Won	119/720
7,119,695	B2 *	10/2006	Defant et al.	340/573.4	2011/0107981	A1 *	5/2011	Giunta	119/721
D535,205	S *	1/2007	Frederick et al.	D10/104.1	2011/0109461	A1 *	5/2011	Aninye	340/573.4
D538,192	S *	3/2007	Martin	D10/106.1	2011/0232585	A1 *	9/2011	Rich et al.	119/721
7,263,033	B2 *	8/2007	Borsina et al.	367/139	2012/0017846	A1 *	1/2012	Duncan et al.	119/720

* cited by examiner

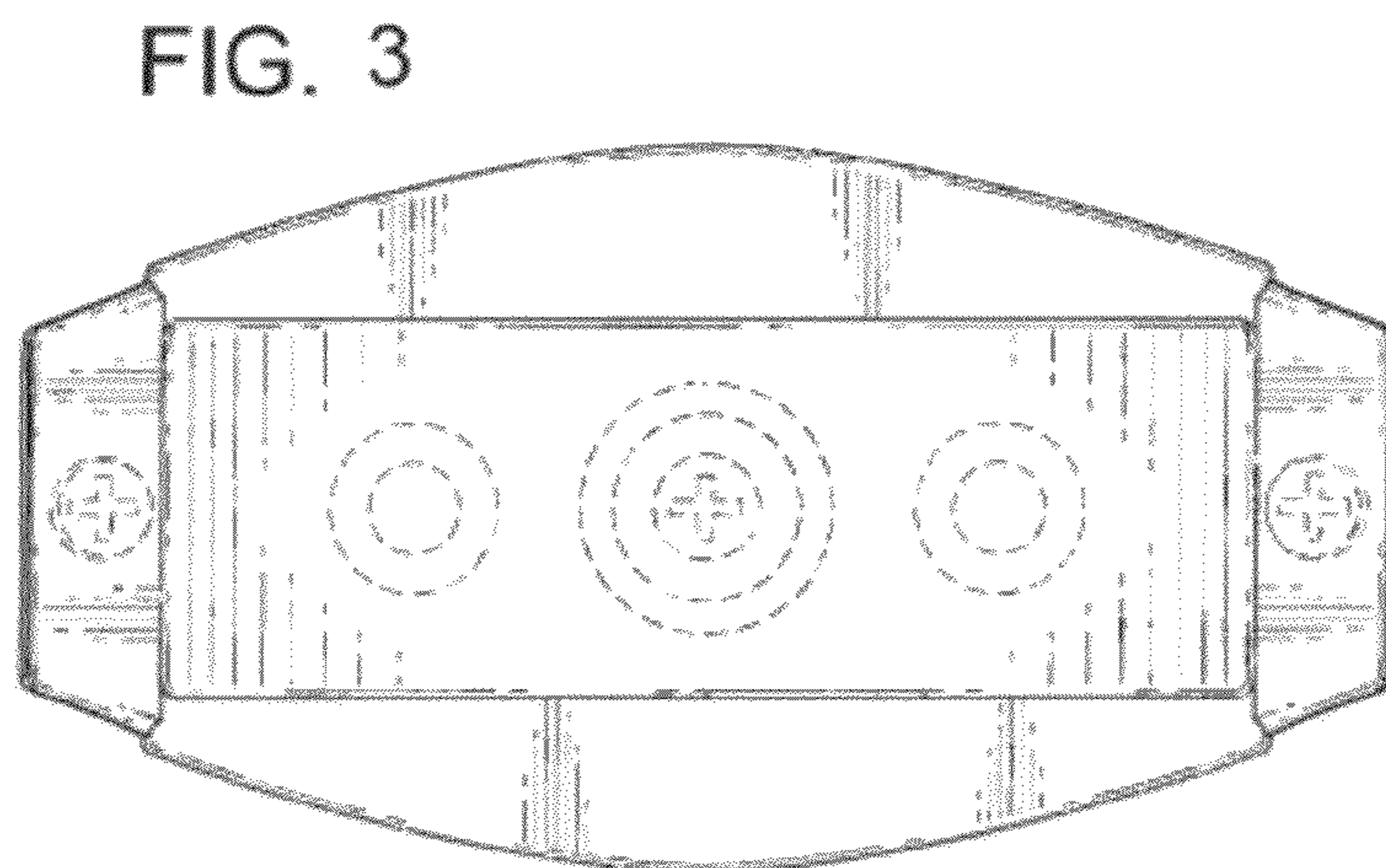
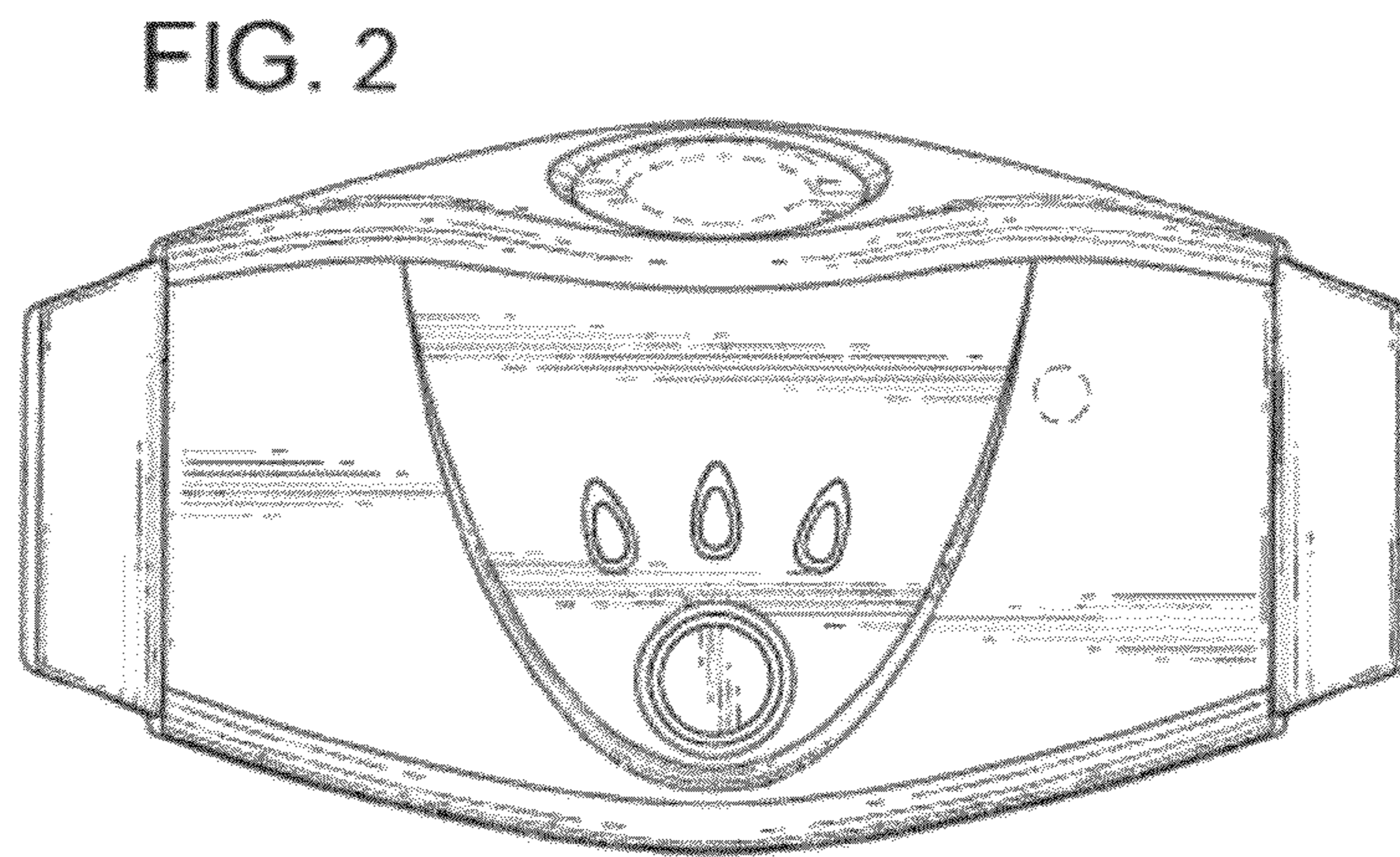
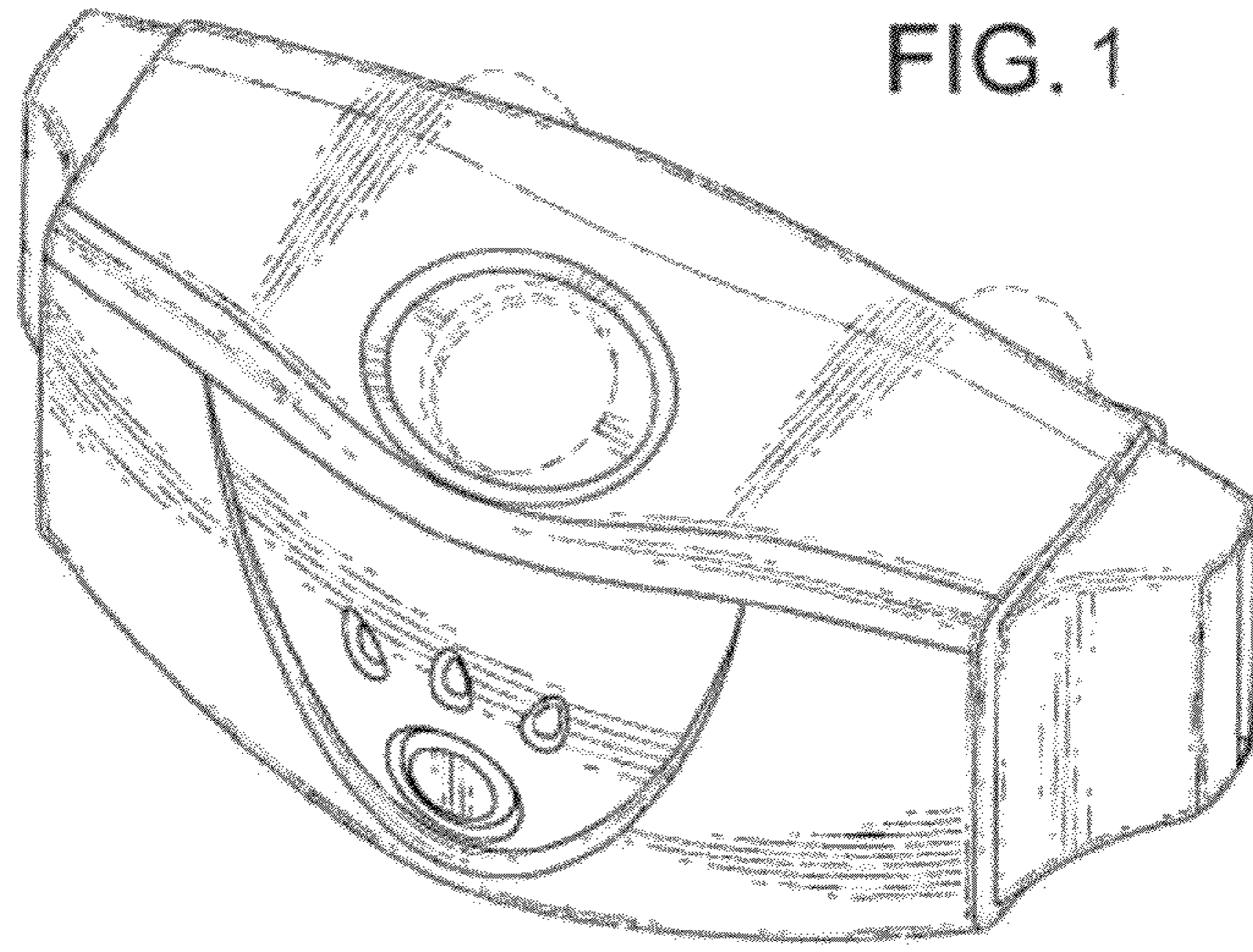


FIG. 4

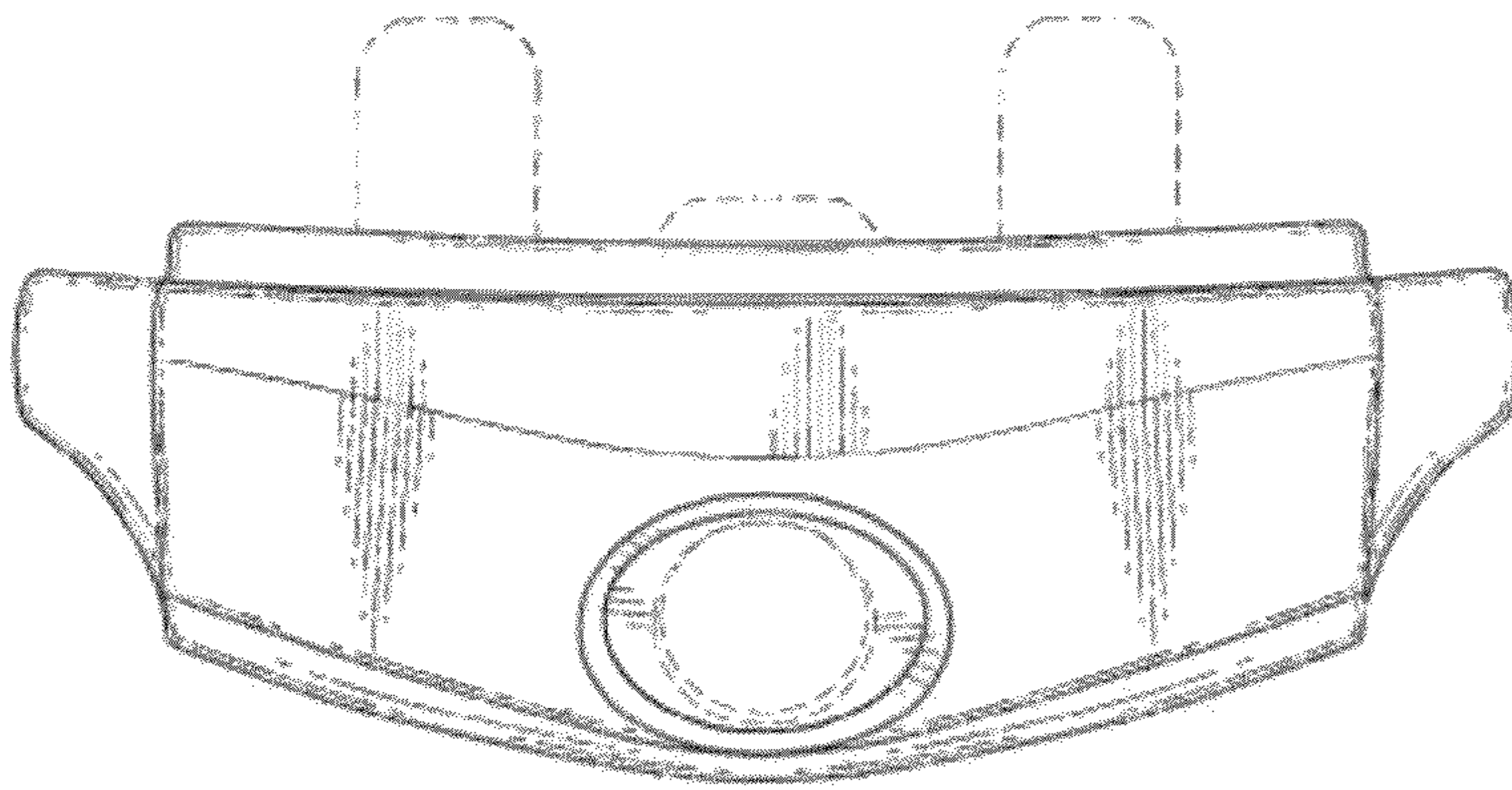


FIG. 5

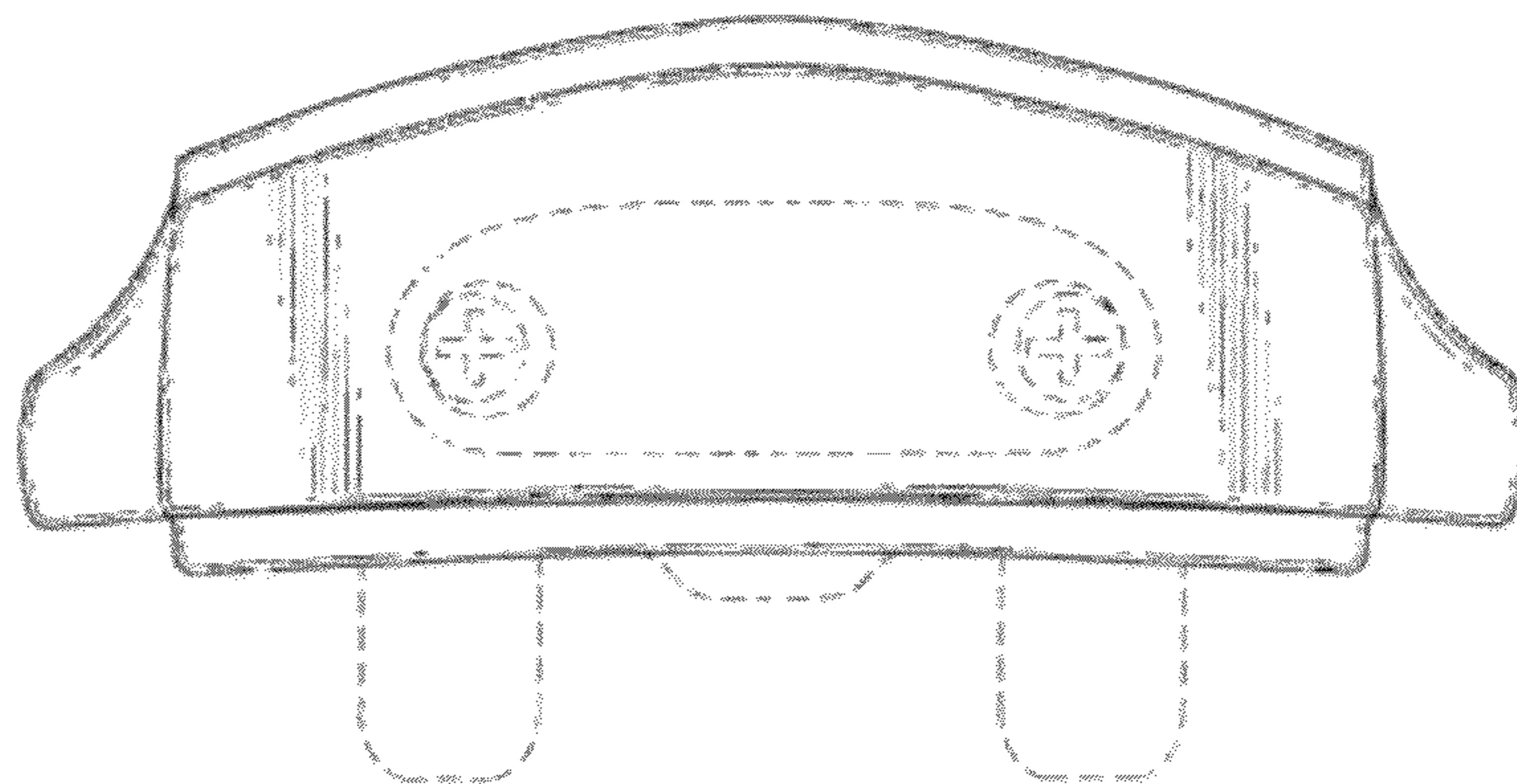


FIG. 6

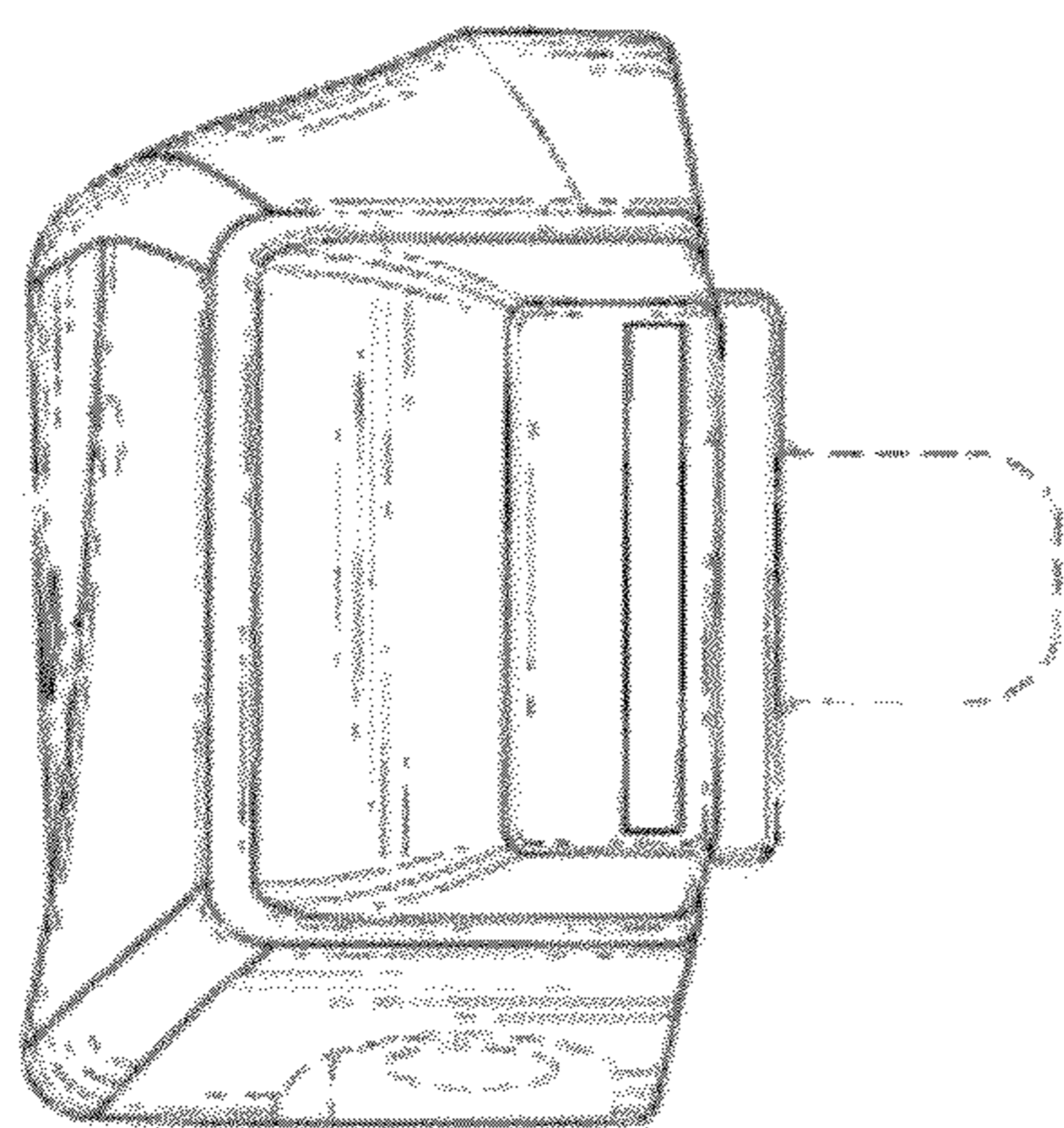


FIG. 7

