



US00D666361S

(12) **United States Design Patent**
Taylor

(10) **Patent No.:** **US D666,361 S**

(45) **Date of Patent:** **** Aug. 28, 2012**

(54) **BLOWDRYER**

(76) Inventor: **Zelda L. Taylor**, Cumming, GA (US)

(**) Term: **14 Years**

(21) Appl. No.: **29/419,056**

(22) Filed: **Apr. 24, 2012**

(51) **LOC (9) Cl.** **28-03**

(52) **U.S. Cl.** **D28/13**

(58) **Field of Classification Search** D28/12-19;
34/96-101; 392/380-385; 219/222

See application file for complete search history.

(56) **References Cited**

U.S. PATENT DOCUMENTS

D160,922 S	11/1950	Ciulla	
D200,521 S	3/1965	Jepson	
D202,536 S	10/1965	Cooper	
D262,061 S	11/1981	Janssens	
D280,558 S *	9/1985	Lazar et al.	D28/13
D300,064 S *	2/1989	Francis et al.	D28/13
5,058,193 A	10/1991	Appierto	
D341,904 S	11/1993	Smal	
D350,414 S *	9/1994	Rizzuto, Jr.	D28/13
D367,128 S	2/1996	Rizzuto	
D367,727 S *	3/1996	Rittenhouse et al.	D28/13
D414,296 S	9/1999	Trammell	
D418,249 S	12/1999	Elkerbout	
D421,152 S *	2/2000	Kwok	D28/18

6,317,998 B1	11/2001	Benevelli	
D480,833 S	10/2003	Zimmermann	
D502,570 S	3/2005	Nanbu et al.	
D519,676 S	4/2006	Keong	
D537,565 S *	2/2007	Shin	D28/13
D537,566 S	2/2007	Kondo et al.	
D538,475 S	3/2007	Kim	
D541,980 S *	5/2007	Morgandi	D28/13
D547,493 S	7/2007	Kim	

* cited by examiner

Primary Examiner — Zenia Bennett

(74) *Attorney, Agent, or Firm* — QuickPatents, Inc.; Kevin Prince

(57) **CLAIM**

I claim the ornamental design for a blowdryer, as shown and described.

DESCRIPTION

FIG. 1 is a front perspective view of a blowdryer, showing my new design;

FIG. 2 is a rear perspective view thereof;

FIG. 3 is a left-side elevational view thereof;

FIG. 4 is a top plan view thereof;

FIG. 5 is a right-side elevational view thereof;

FIG. 6 is a bottom plan view thereof;

FIG. 7 is a front elevational view thereof; and,

FIG. 8 is a rear elevational view thereof.

The broken lines showing a logo in FIGS. 1 and 3 depict environmental matter and form no part of the claimed design.

1 Claim, 3 Drawing Sheets

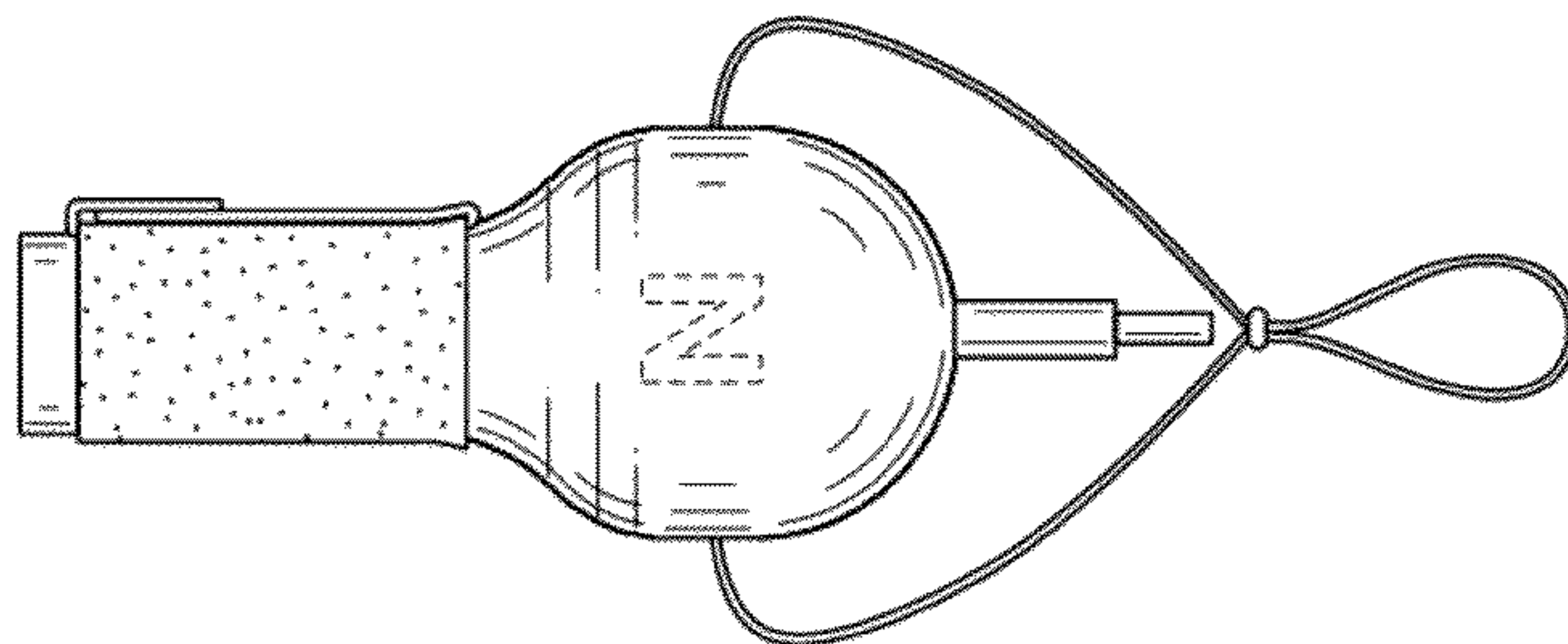
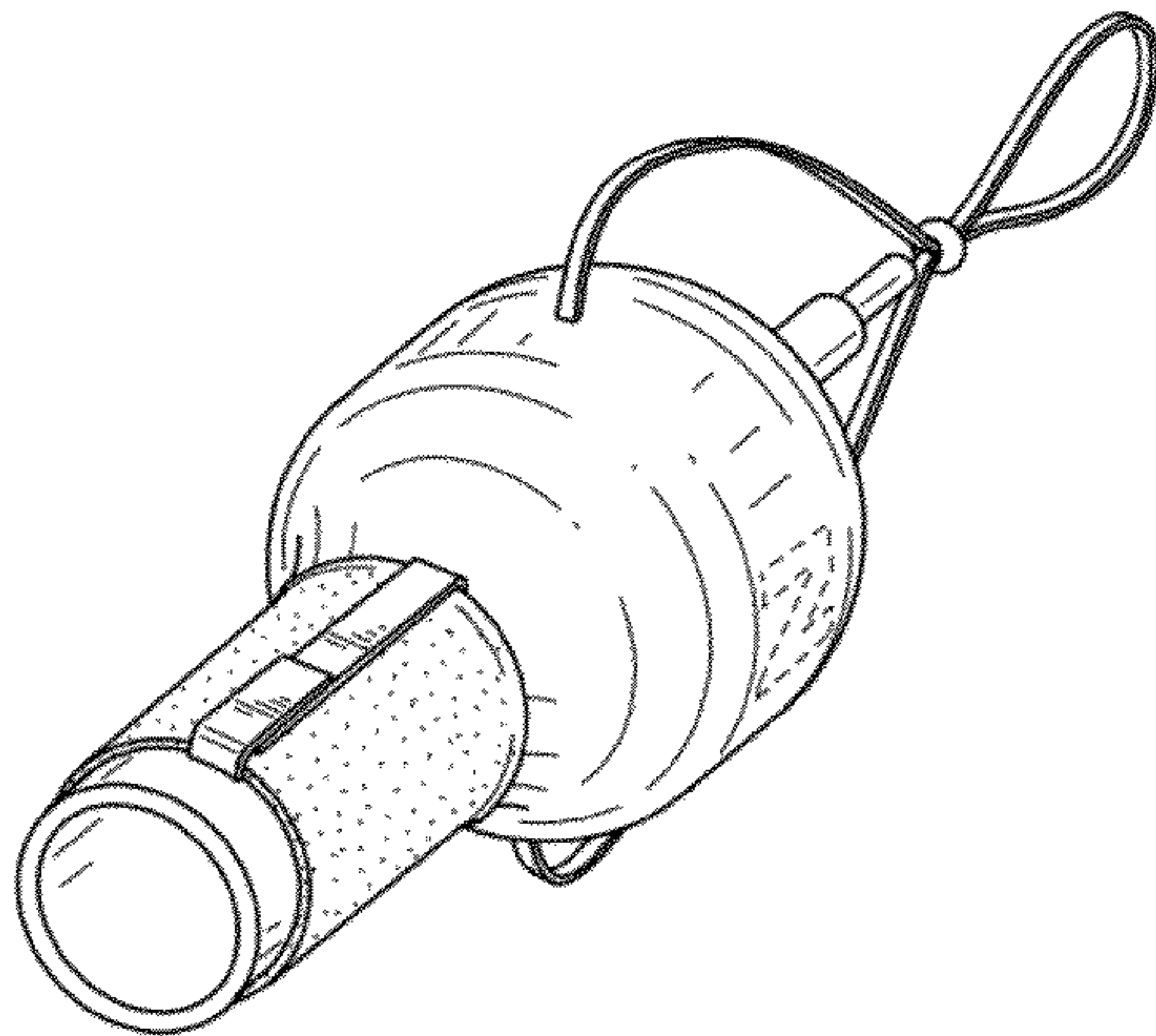


FIG. 1

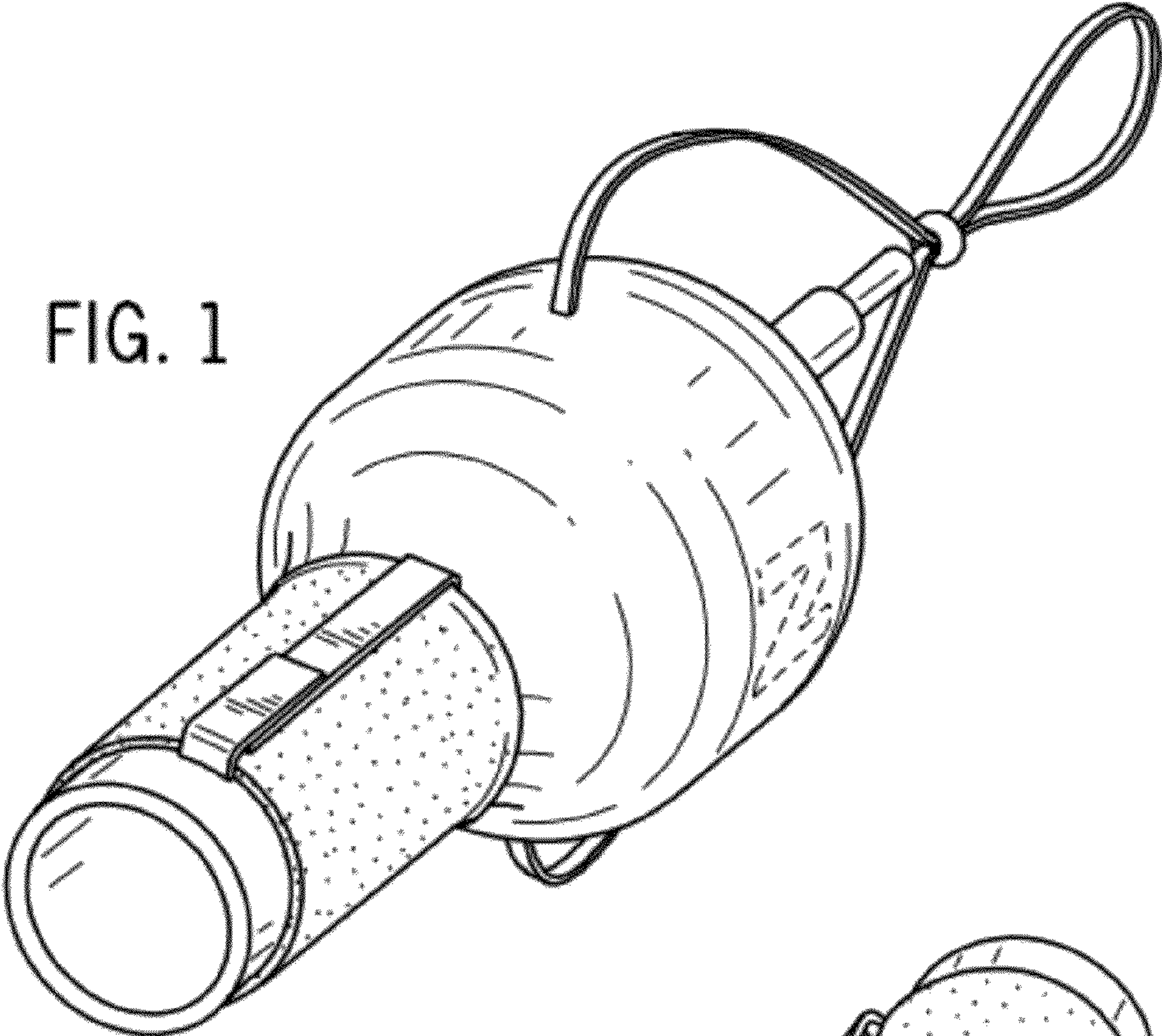
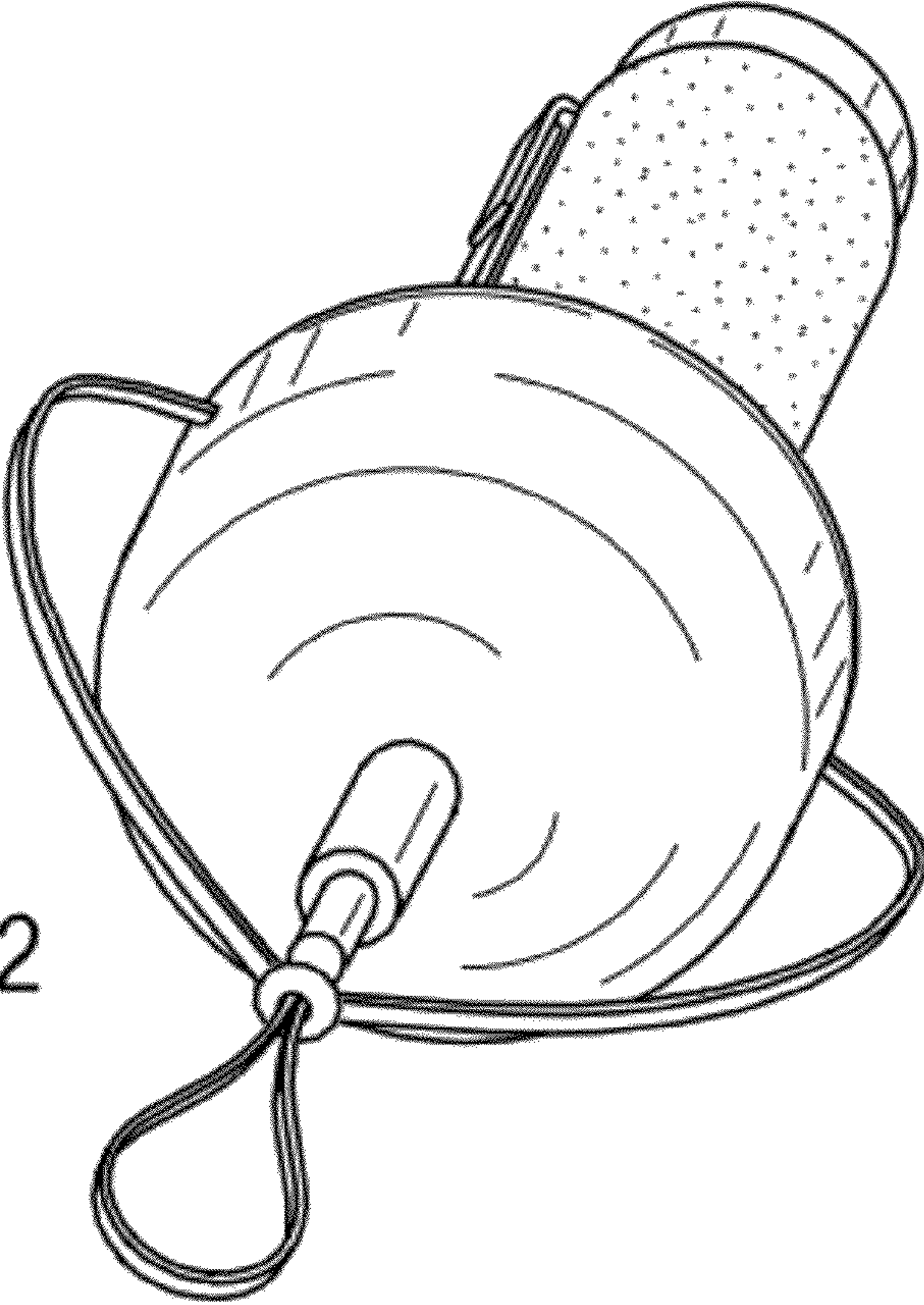


FIG. 2



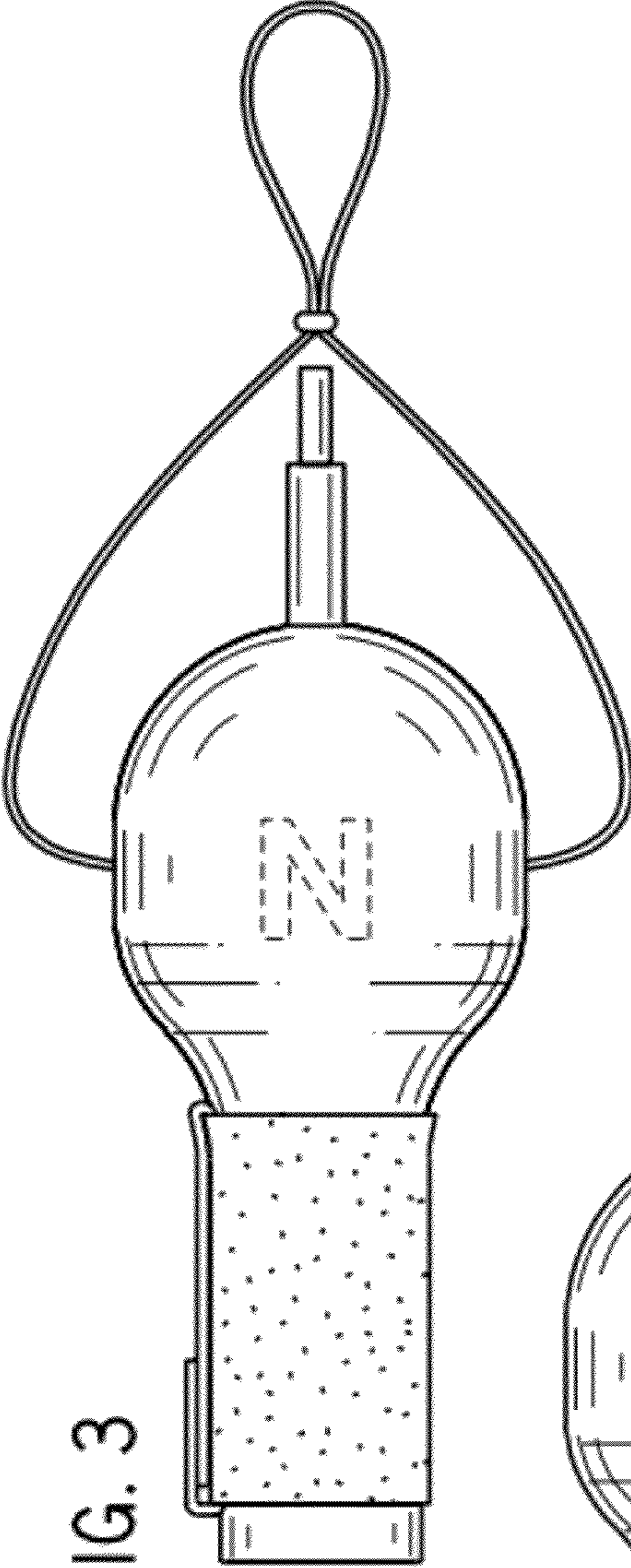


FIG. 3

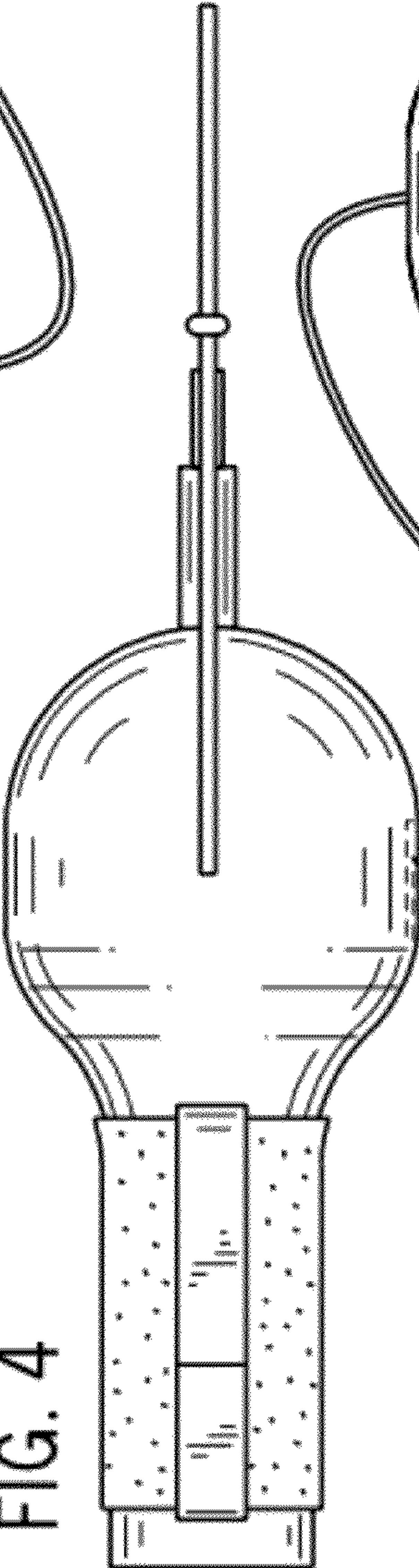


FIG. 4

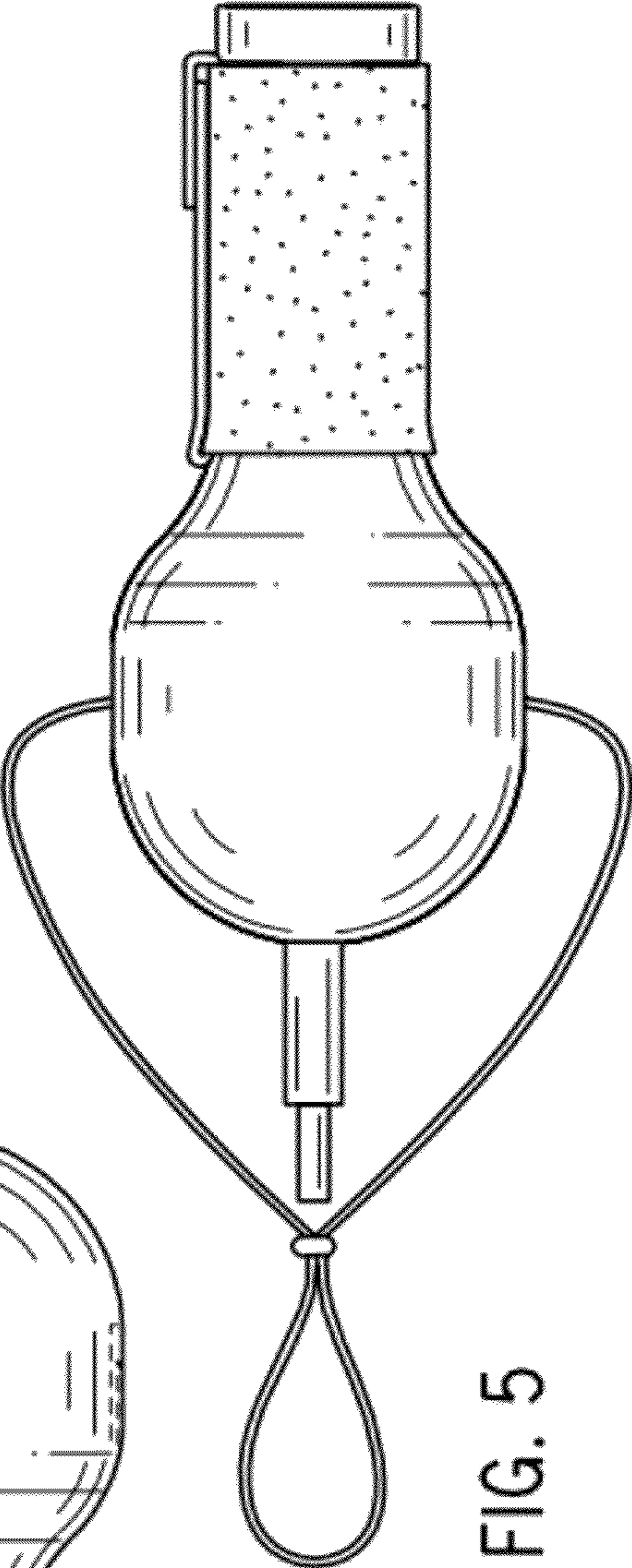


FIG. 5

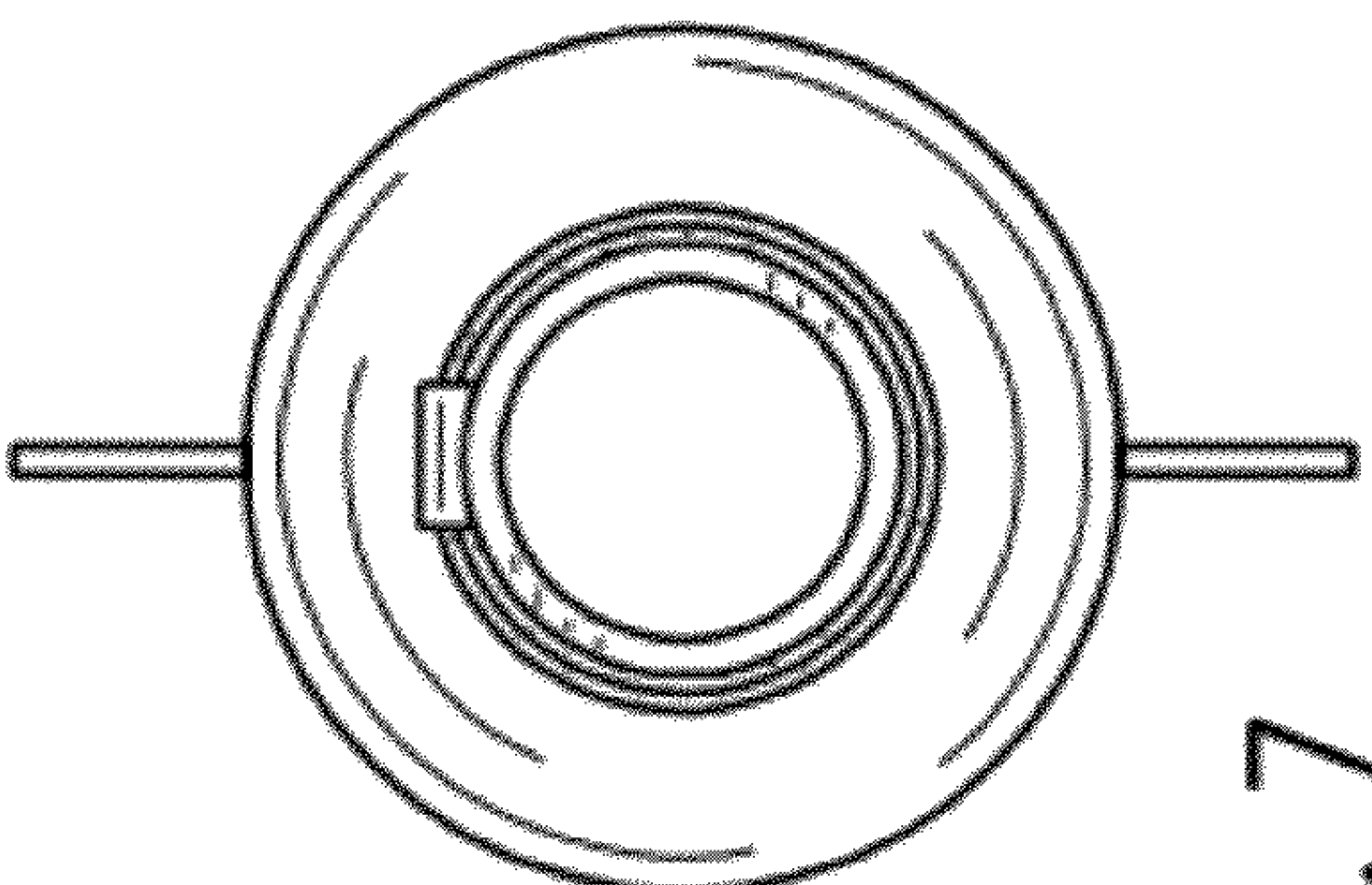
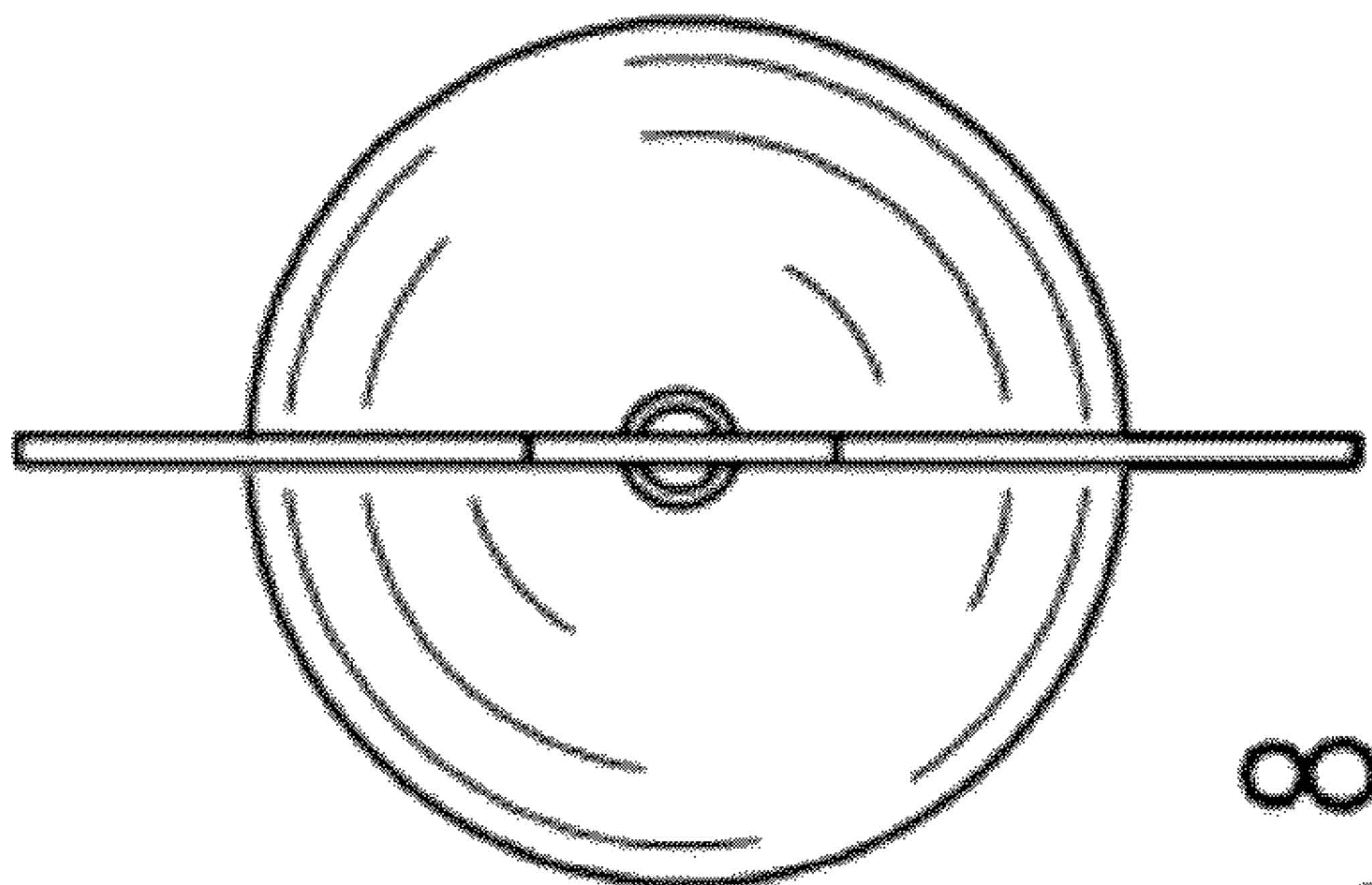
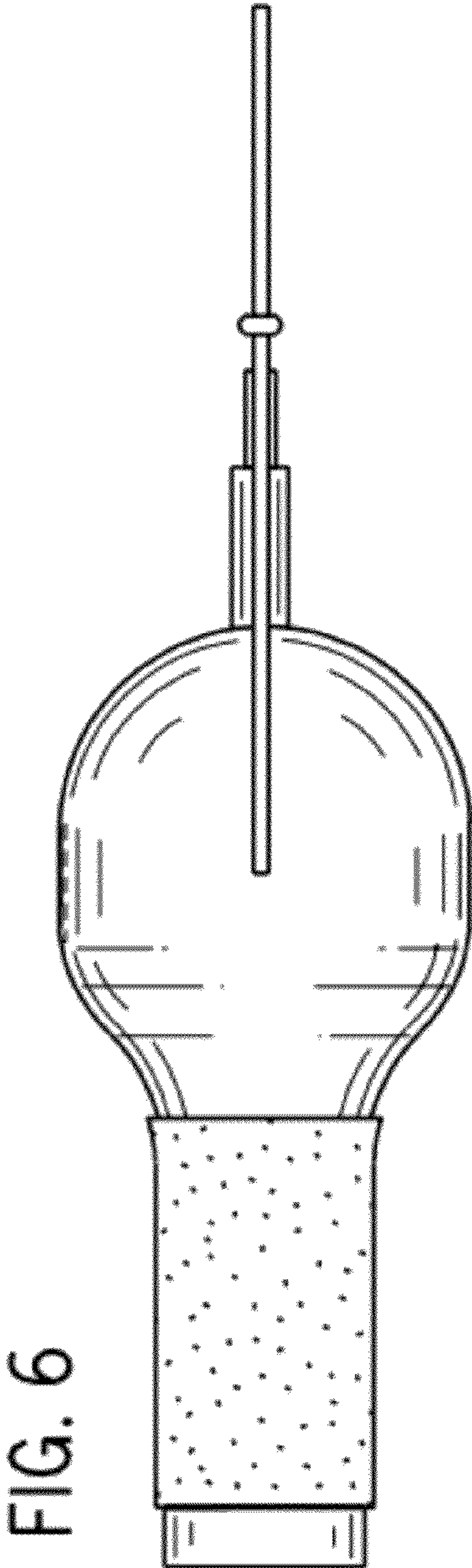


FIG. 6

FIG. 8

FIG. 7