



US00D666355S

(12) **United States Design Patent**
Alelov

(10) **Patent No.:** **US D666,355 S**

(45) **Date of Patent:** **** *Aug. 28, 2012**

(54) **ELECTRONIC CIGARETTE WITH DISPLAY**

(76) Inventor: **Eli Alelov**, Livingston, NJ (US)

(*) Notice: This patent is subject to a terminal disclaimer.

(**) Term: **14 Years**

(21) Appl. No.: **29/374,498**

(22) Filed: **Aug. 23, 2011**

(51) **LOC (9) Cl.** **27-01**

(52) **U.S. Cl.** **D27/101**

(58) **Field of Classification Search** D27/194,
D27/184, 189, 187, 186, 185, 100, 101, 183,
D27/172, 143, 163, 162, 161, 153, 144, 141,
D27/156, 160, 139, 140, 154, 155, 157, 142,
D27/102, 130, 158, 159, 167, 173, 176, 180,
D27/181, 193; 219/220; 431/253, 344; 131/70,
131/58, 66.1, 73, 283, 47, 49, 187, 174; D9/423,
D9/542, 563, 454, 504; D8/34, 33, 105,
D8/30, 29.1; D7/416; 439/668; 206/236;
44/507

See application file for complete search history.

(56) **References Cited**

U.S. PATENT DOCUMENTS

4,393,884 A * 7/1983 Jacobs 131/273
4,771,796 A * 9/1988 Myer 131/273
5,042,510 A * 8/1991 Curtiss et al. 131/273

5,269,327 A * 12/1993 Counts et al. 131/194
5,535,735 A * 7/1996 McPherson 128/202.21
D453,854 S * 2/2002 Verhoeven-Koster D27/101
6,532,965 B1 * 3/2003 Abhulimen et al. 131/194
D590,989 S * 4/2009 Hon D27/101
D590,991 S * 4/2009 Hon D27/101
D624,238 S * 9/2010 Turner D27/101
D642,330 S * 7/2011 Turner D27/101
2005/0016550 A1 * 1/2005 Katase 131/194
2006/0254604 A1 * 11/2006 Martinez Fernandez 131/273
2008/0271744 A1 * 11/2008 Danforth 131/270

* cited by examiner

Primary Examiner — Kevin Rudzinski

(74) *Attorney, Agent, or Firm* — Foley & Lardner LLP

(57) **CLAIM**

The ornamental design for electronic cigarette with display, as shown and described.

DESCRIPTION

FIG. 1 is a front perspective view.

FIG. 2 is a rear perspective view.

FIG. 3 is a right view.

FIG. 4 is a top view.

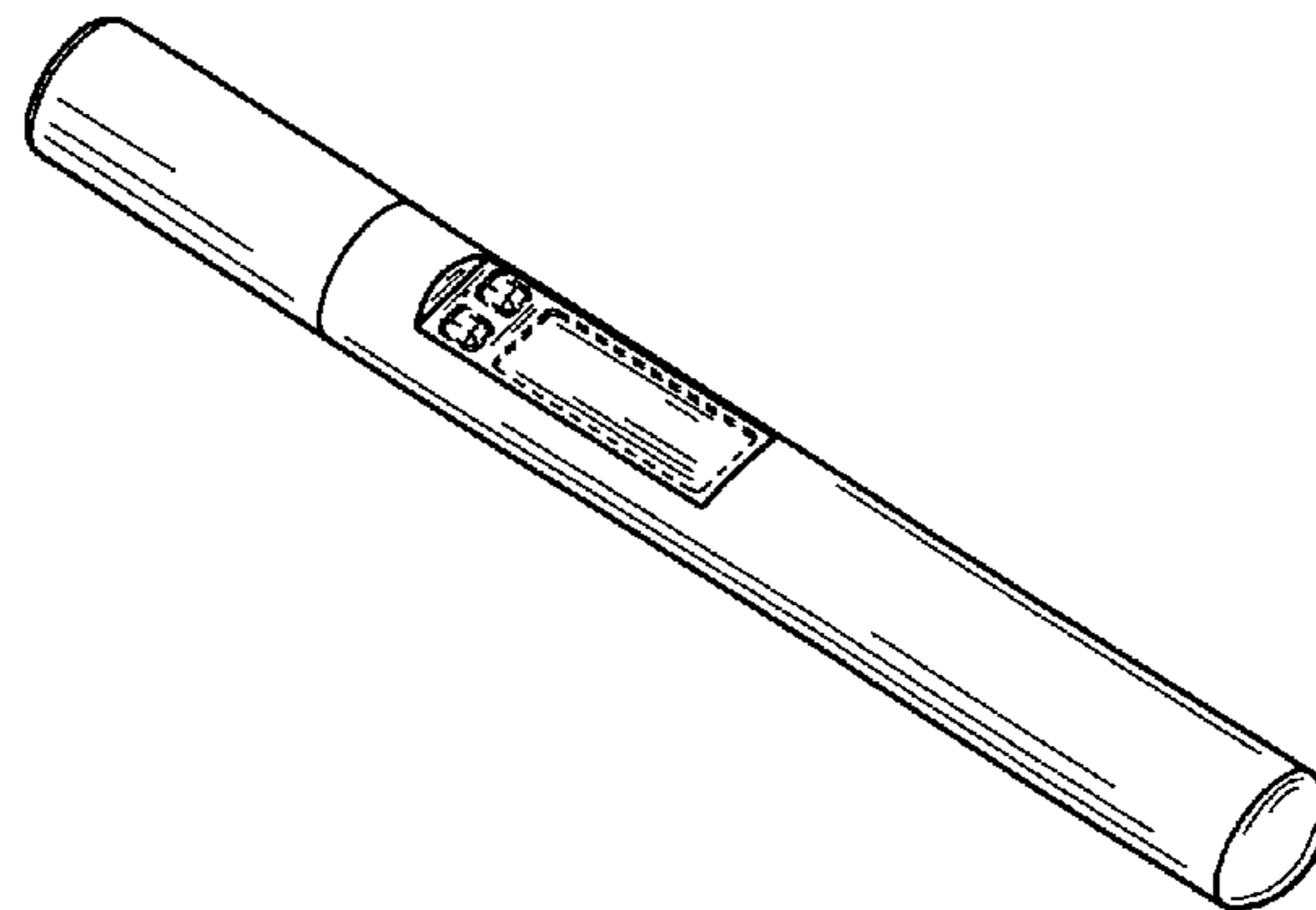
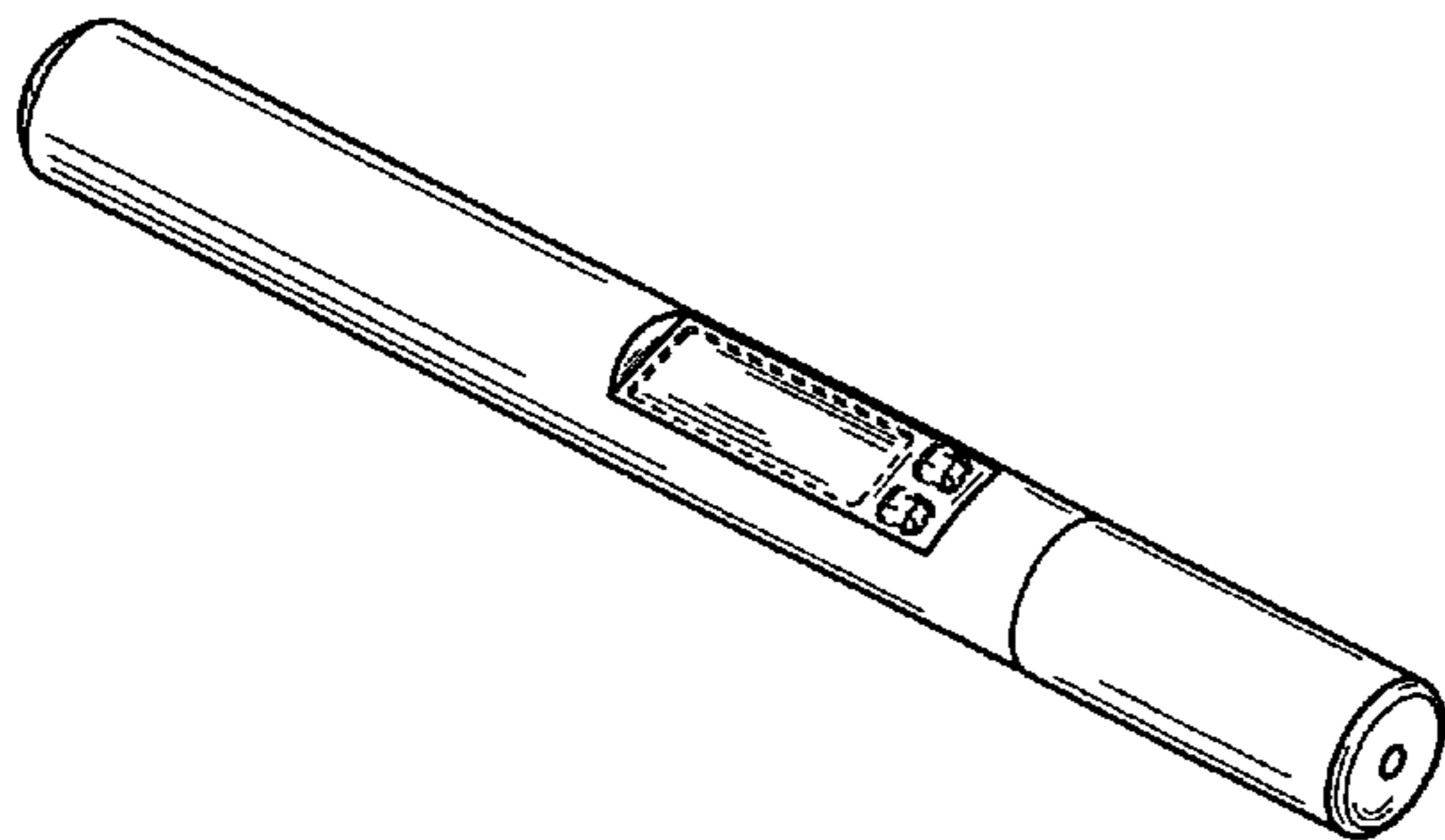
FIG. 5 is a bottom view.

FIG. 6 is a rear view; and,

FIG. 7 is a front view.

The broken lines shown in the drawing illustrate portions of the electronic cigarette with display that form no part of the claimed design.

1 Claim, 2 Drawing Sheets



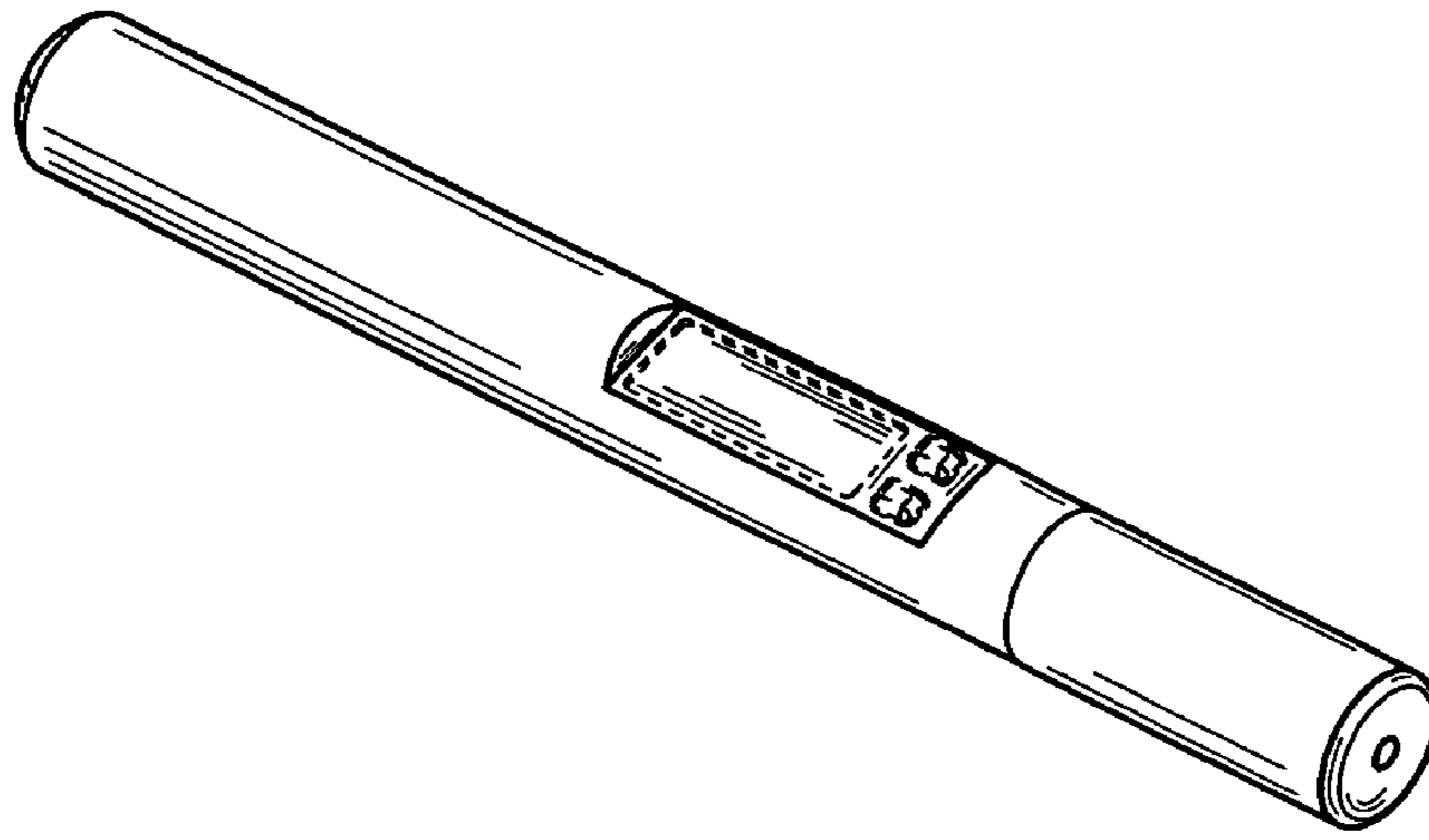


Fig. 1

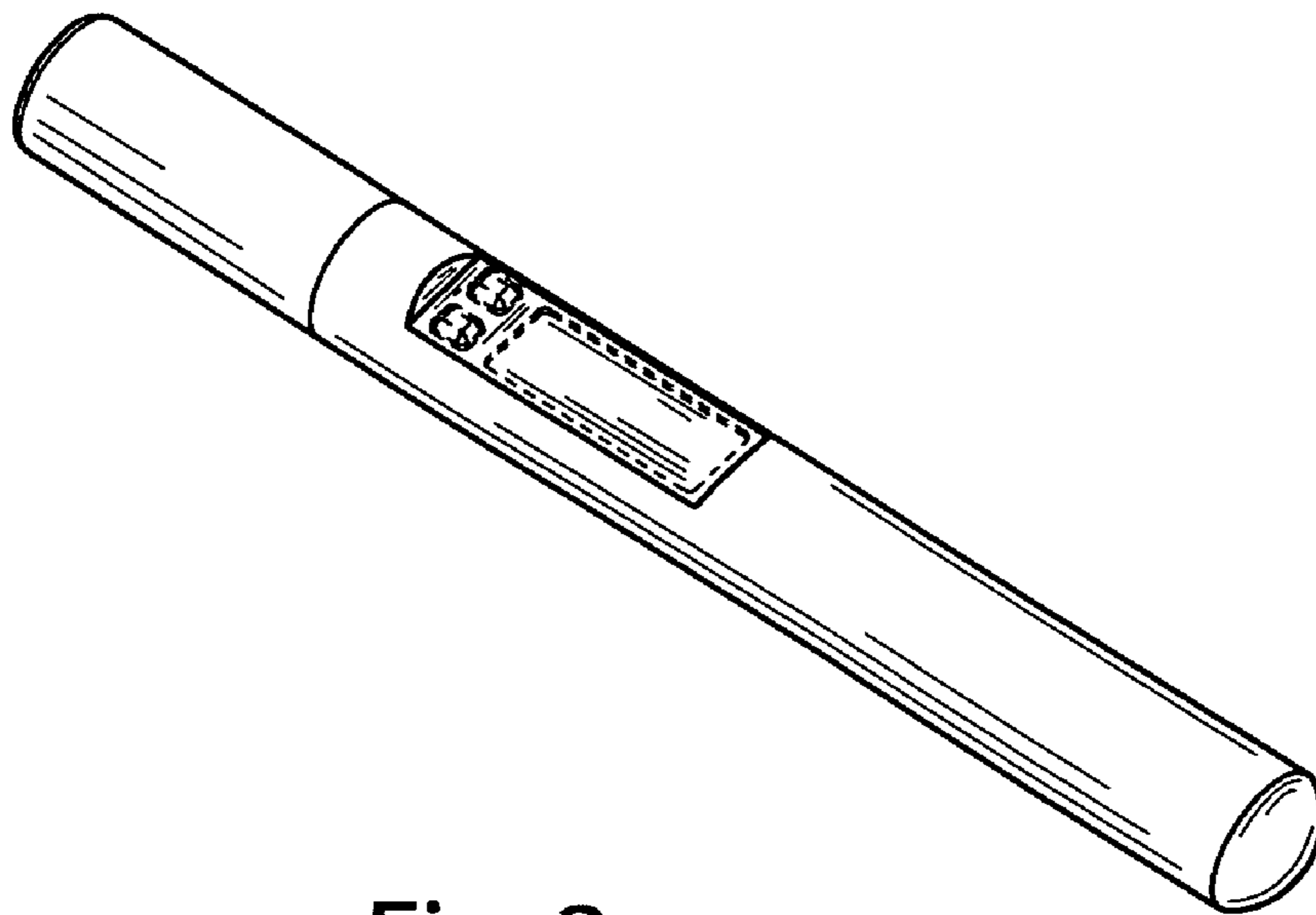


Fig. 2



Fig. 3



Fig. 4

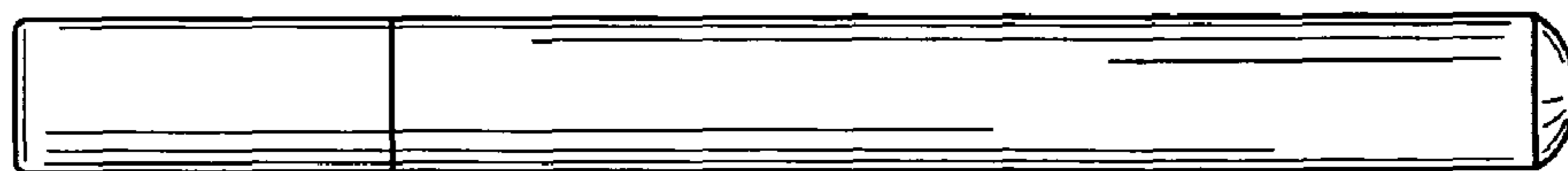


Fig. 5



Fig. 6



Fig. 7