

US00D666354S

(12) **United States Design Patent**  
**Bracher**

(10) **Patent No.:** **US D666,354 S**

(45) **Date of Patent:** **\*\* Aug. 28, 2012**

(54) **LIGHT FIXTURE**

(75) Inventor: **Todd Bracher**, Brooklyn, NY (US)

(73) Assignee: **Schonbek Worldwide Lighting Inc.**,  
Plattsburgh, NY (US)

(\*\*) Term: **14 Years**

(21) Appl. No.: **29/413,416**

(22) Filed: **Feb. 15, 2012**

**Related U.S. Application Data**

(62) Division of application No. 29/389,251, filed on Apr. 8, 2011.

(51) **LOC (9) Cl.** ..... **26-99**

(52) **U.S. Cl.** ..... **D26/143; D26/81**

(58) **Field of Classification Search** ..... D26/80-92,  
D26/128, 143, 144; 362/147, 404-408

See application file for complete search history.

(56) **References Cited**

**U.S. PATENT DOCUMENTS**

D63,528 S *	12/1923	Warman	.....	D26/81
D73,057 S *	7/1927	Seidell	.....	D26/144
D74,821 S *	4/1928	Boehringer	.....	D26/144
5,241,460 A *	8/1993	Schonbek	.....	362/405
D400,283 S *	10/1998	Lawrence	.....	D26/86
5,921,668 A *	7/1999	Bayer	.....	362/404

D490,557 S *	5/2004	Cuevas et al.	.....	D26/81
D536,468 S *	2/2007	Crosby	.....	D26/84
D557,854 S *	12/2007	Lewis	.....	D26/81
D565,777 S *	4/2008	Hsu	.....	D26/81
D603,551 S *	11/2009	Carlson	.....	D26/81
D606,233 S *	12/2009	Benghozi	.....	D26/88

**OTHER PUBLICATIONS**

Jan. 2010 edition of "Elle Decoration", p. 137.  
<http://www.designspongeonline.com/2007/11/chandelier-guide.html>; Nov. 26, 2007, 1 pg.

\* cited by examiner

*Primary Examiner* — Clare E Heflin

(74) *Attorney, Agent, or Firm* — Heslin Rothenberg Farley & Mesiti P.C.

(57) **CLAIM**

The ornamental design for a light fixture, as shown and described.

**DESCRIPTION**

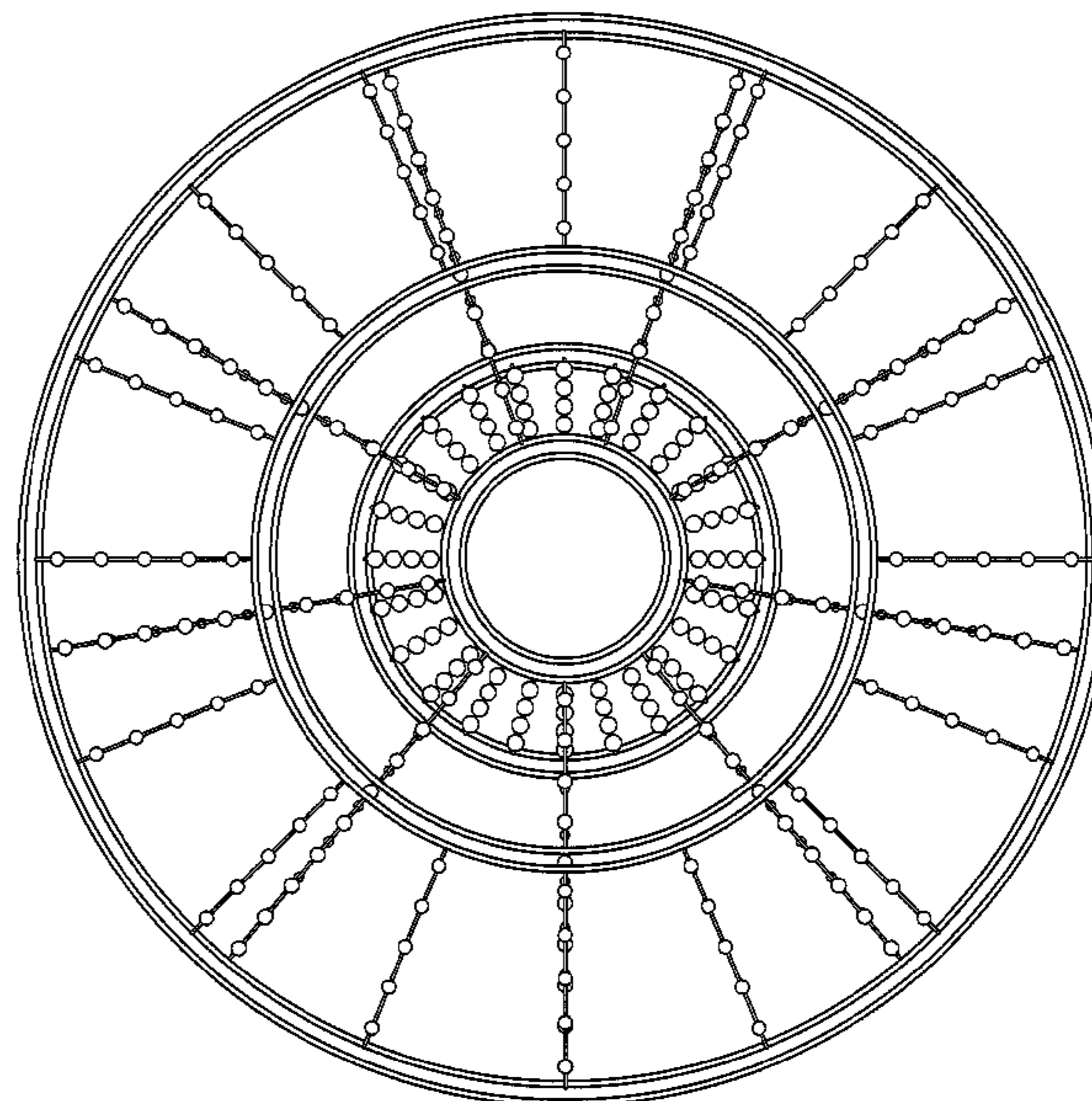
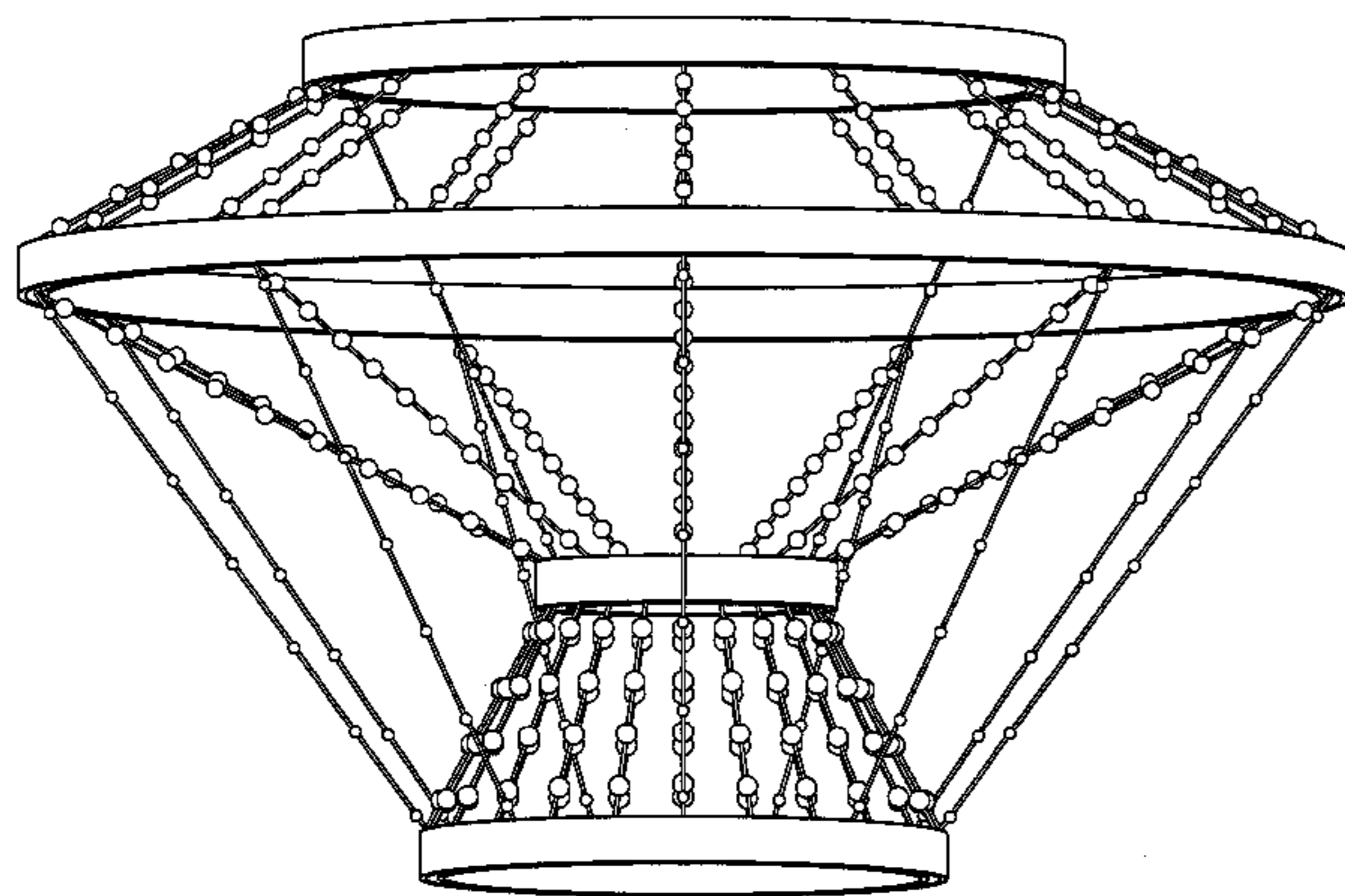
FIG. 1 is a perspective view of the light fixture of the present design;

FIG. 2 is a top plan view thereof; and,

FIG. 3 is a bottom plan view thereof.

The broken lines shown on the drawings depict portions of the light fixture that form no part of the claimed design.

**1 Claim, 3 Drawing Sheets**



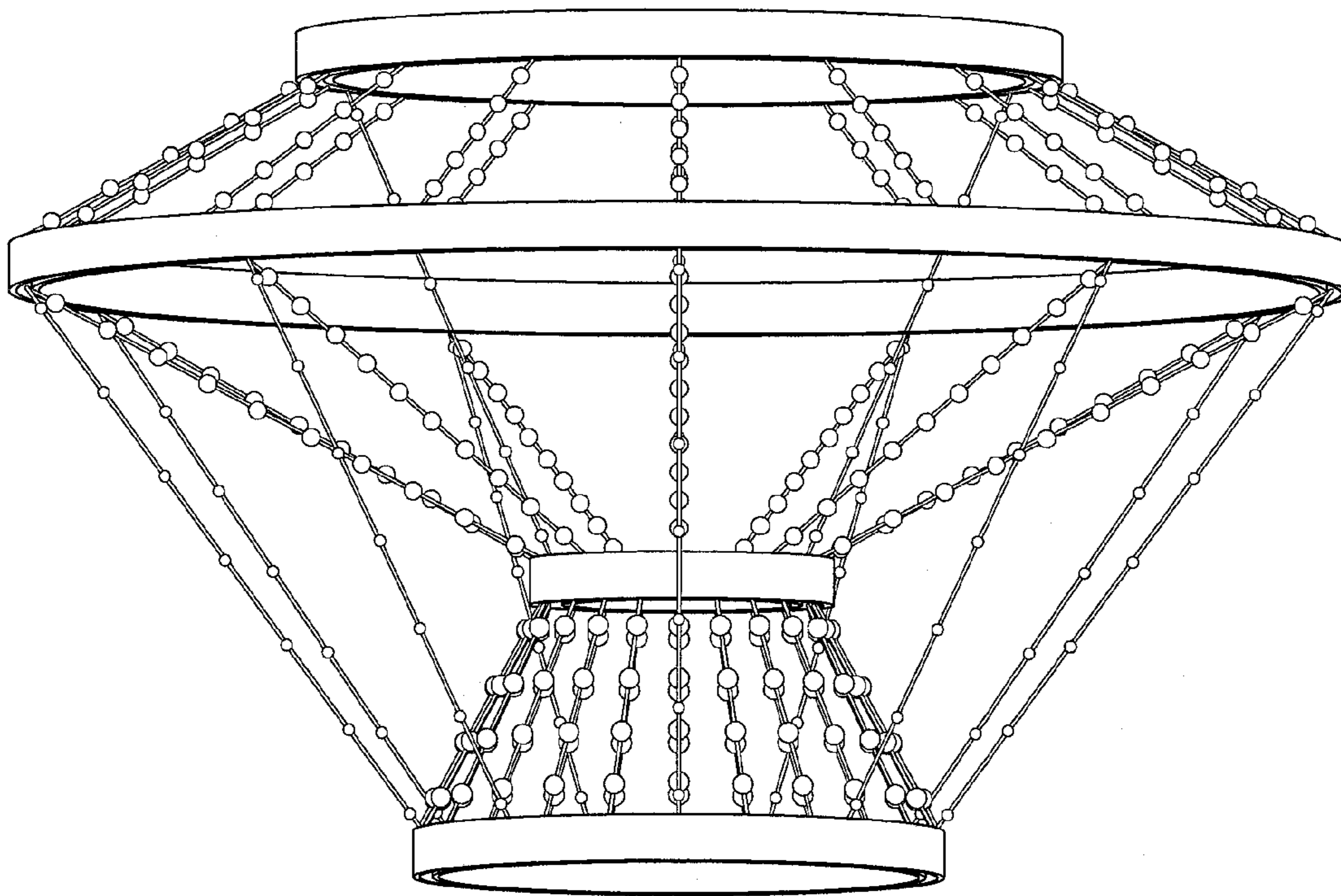


FIG. 1

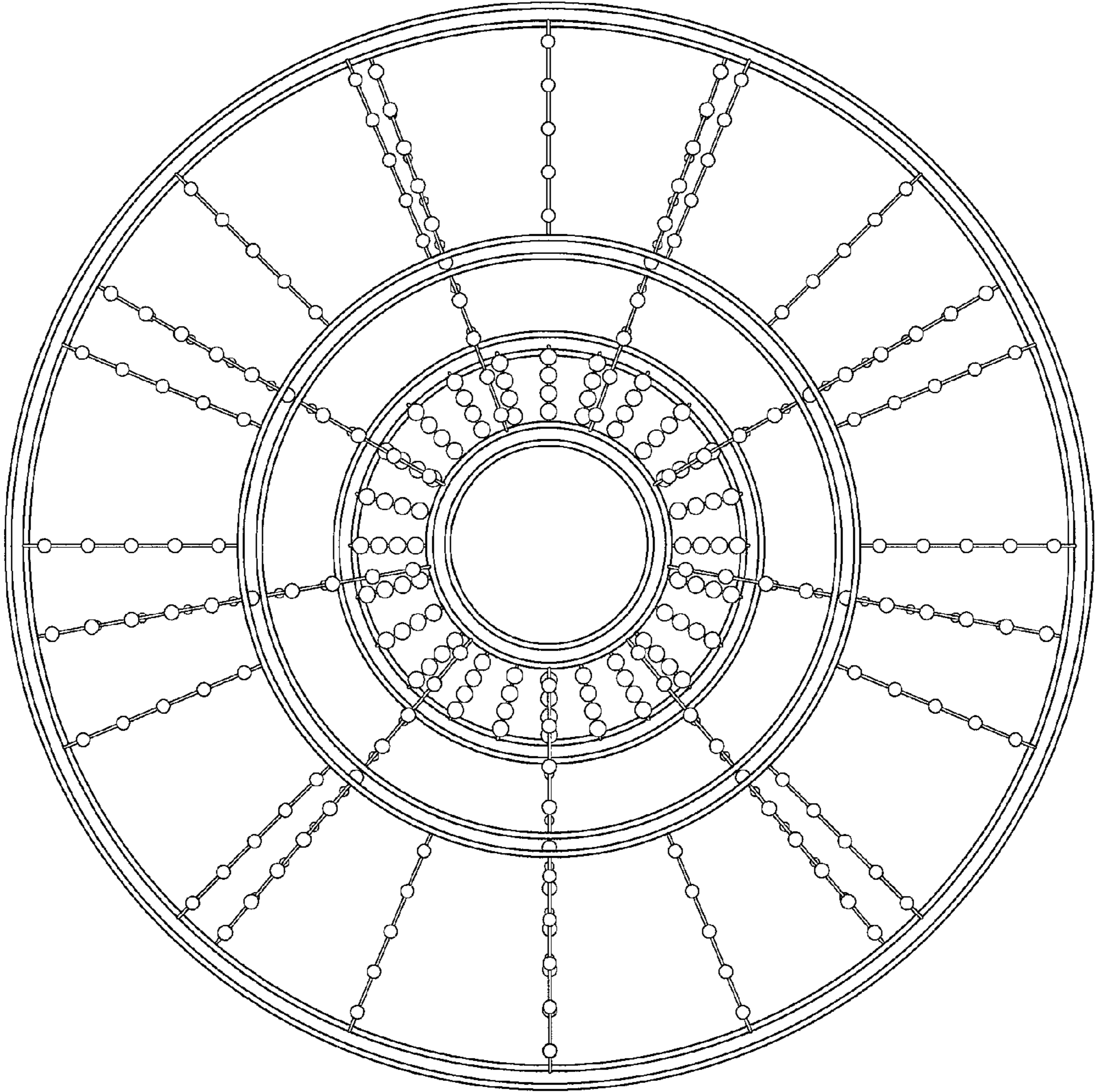


FIG. 2

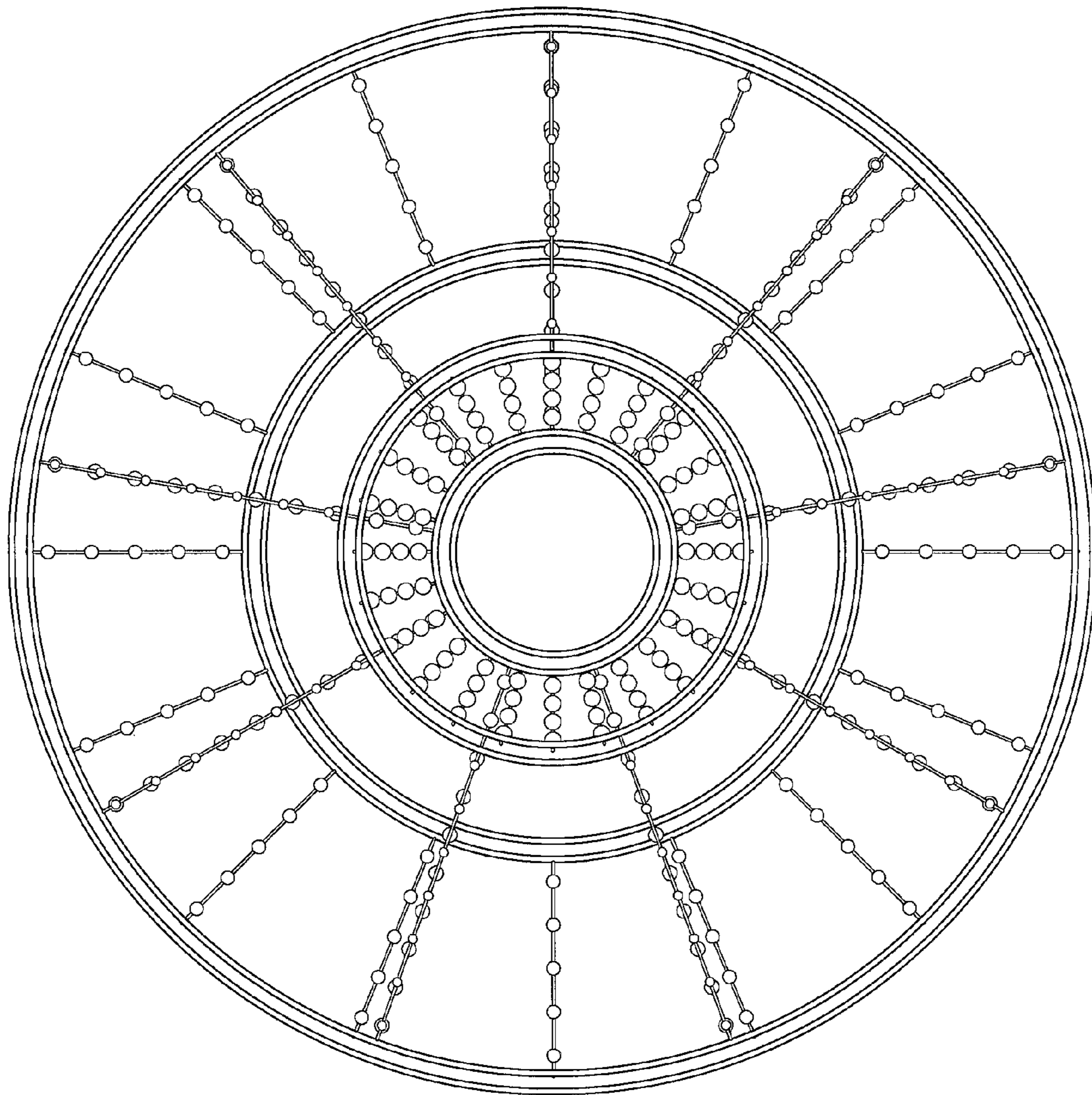


FIG. 3