



US00D666352S

(12) **United States Design Patent**
Wang

(10) **Patent No.:** **US D666,352 S**

(45) **Date of Patent:** **** Aug. 28, 2012**

(54) **LIGHT EMITTING DIODE LAMP**

(75) Inventor: **Jian-Gang Wang**, Shenzhen (CN)

(73) Assignee: **Foxsemicon Integrated Technology, Inc.**, Chu-Nan, Miao-Li Hsien (TW)

(**) Term: **14 Years**

(21) Appl. No.: **29/406,872**

(22) Filed: **Nov. 20, 2011**

(51) **LOC (9) Cl.** **26-03**

(52) **U.S. Cl.** **D26/92**

(58) **Field of Classification Search** D26/61,
D26/63, 65, 67-71, 92; 362/249.01-249.06,
362/294, 373, 431

See application file for complete search history.

(56) **References Cited**

U.S. PATENT DOCUMENTS

D195,583 S *	7/1963	Phillips	D26/71
D547,477 S *	7/2007	Guercio	D26/63
D562,487 S *	2/2008	Romo	D26/67
D576,330 S *	9/2008	Ruud et al.	D26/71
D577,455 S *	9/2008	Zheng et al.	D26/71
D580,577 S *	11/2008	Wang et al.	D26/63
7,637,642 B2 *	12/2009	Kinnune et al.	362/368

D632,819 S *	2/2011	Kong et al.	D26/71
D646,420 S *	10/2011	Chen et al.	D26/71
D650,504 S *	12/2011	Kim et al.	D26/63
D650,935 S *	12/2011	Beghelli	D26/63
D655,432 S *	3/2012	Beghelli	D26/63
2009/0251898 A1 *	10/2009	Kinnune et al.	362/249.02

* cited by examiner

Primary Examiner — Clare E Heflin

(74) *Attorney, Agent, or Firm* — Altis Law Group, Inc.

(57) **CLAIM**

The ornamental design for a light emitting diode lamp, as shown and described.

DESCRIPTION

FIG. 1 is a perspective view of a light emitting diode lamp showing my new design.

FIG. 2 is a front elevational view thereof.

FIG. 3 is a rear elevational view thereof.

FIG. 4 is a left-side, elevational view thereof.

FIG. 5 is a right-side, elevational view thereof.

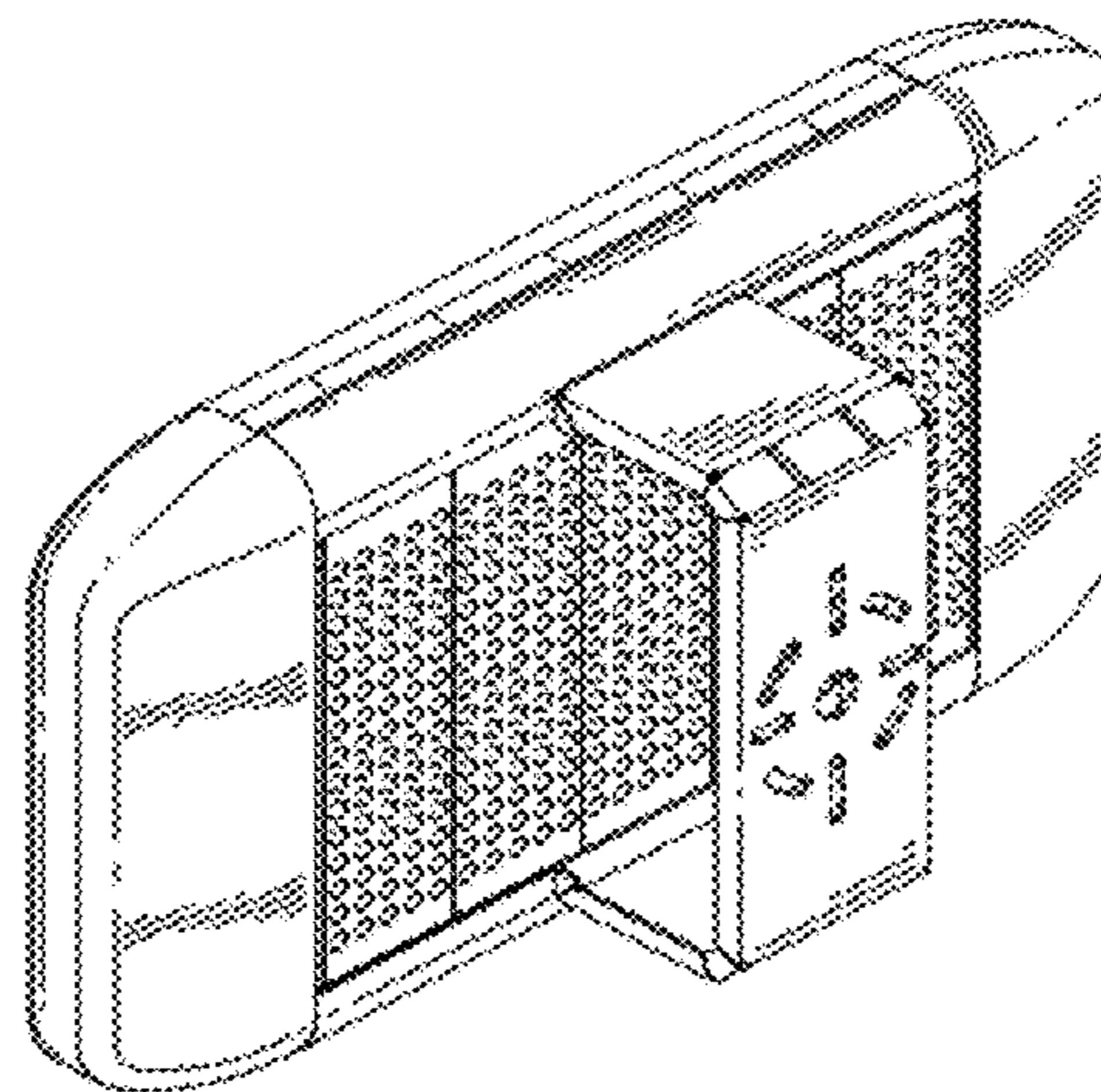
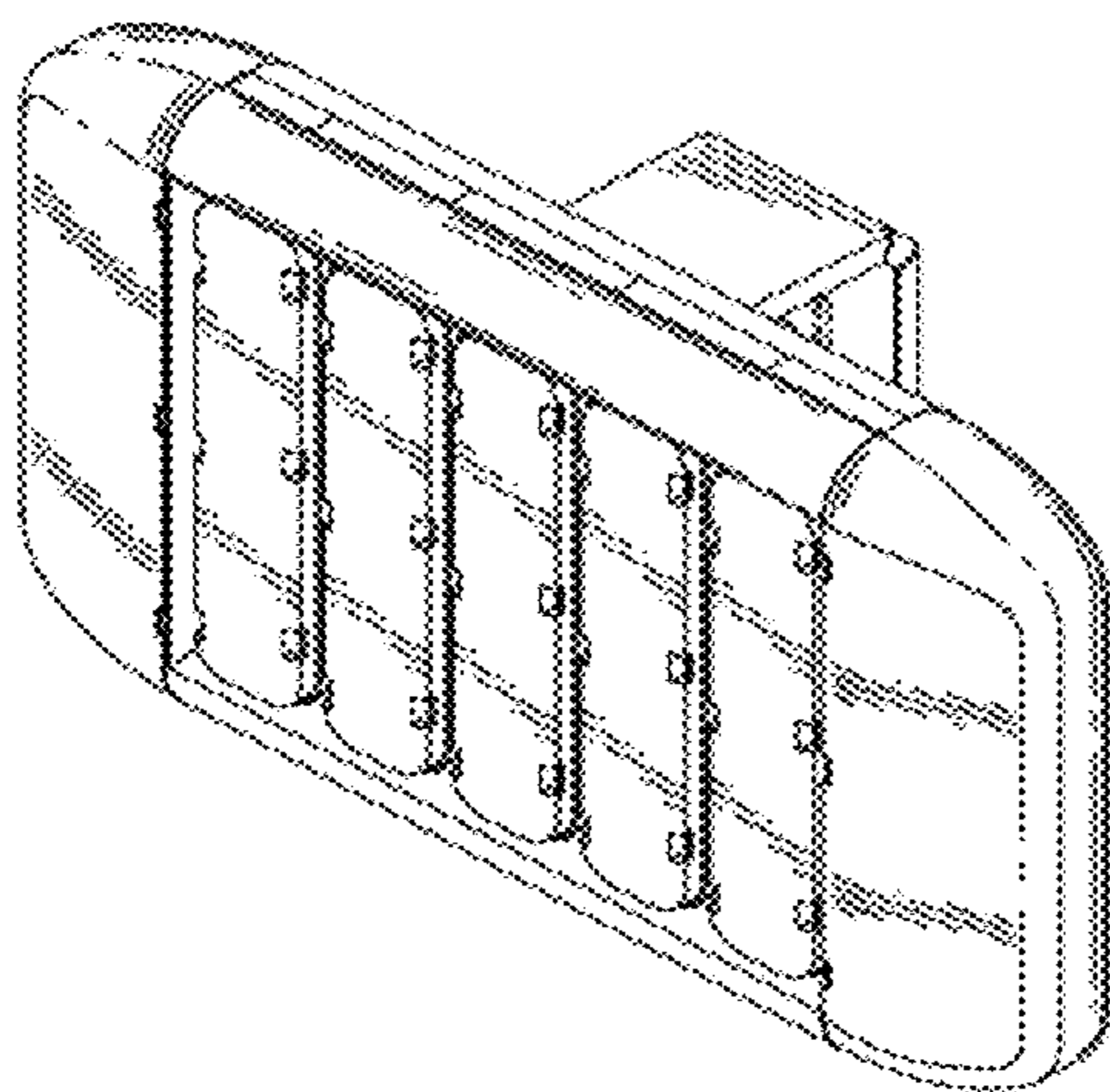
FIG. 6 is a top plan view thereof.

FIG. 7 is a bottom plan view thereof; and,

FIG. 8 is another perspective view thereof, from a rear aspect.

The broken lines shown on the drawings depict portions of the light fixture that form no part of the claimed design.

1 Claim, 8 Drawing Sheets



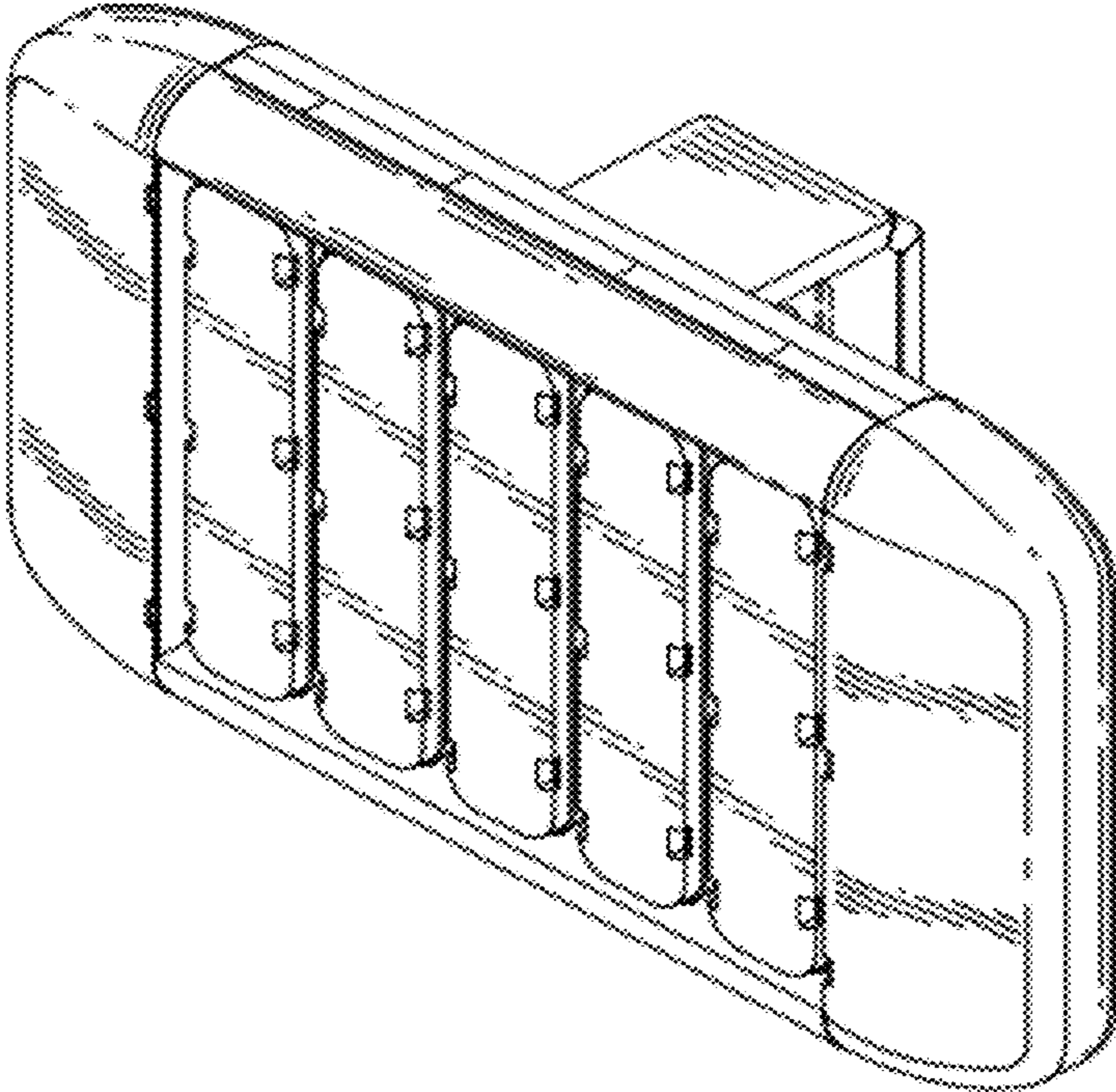


FIG. 1

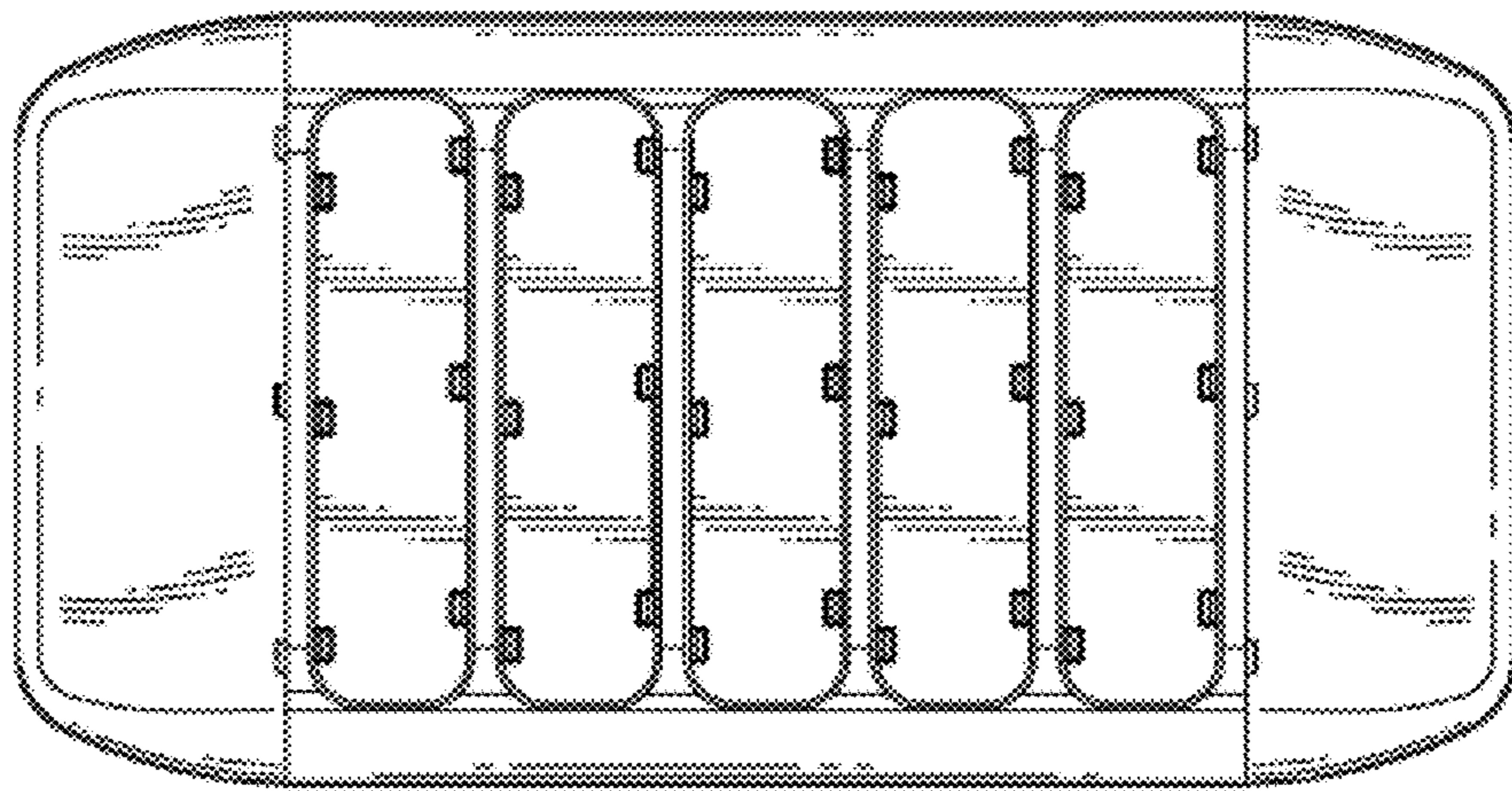


FIG. 2

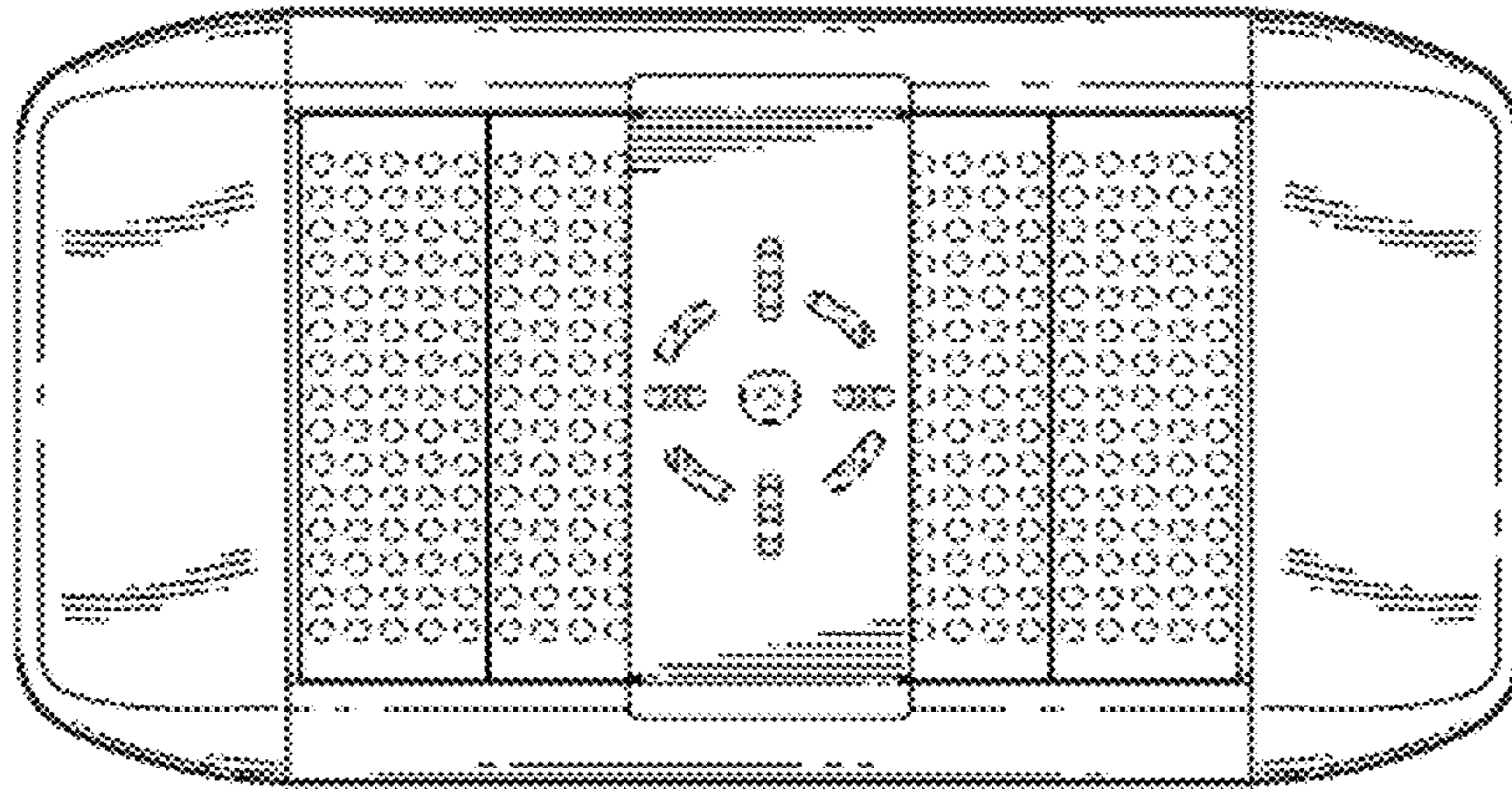


FIG. 3

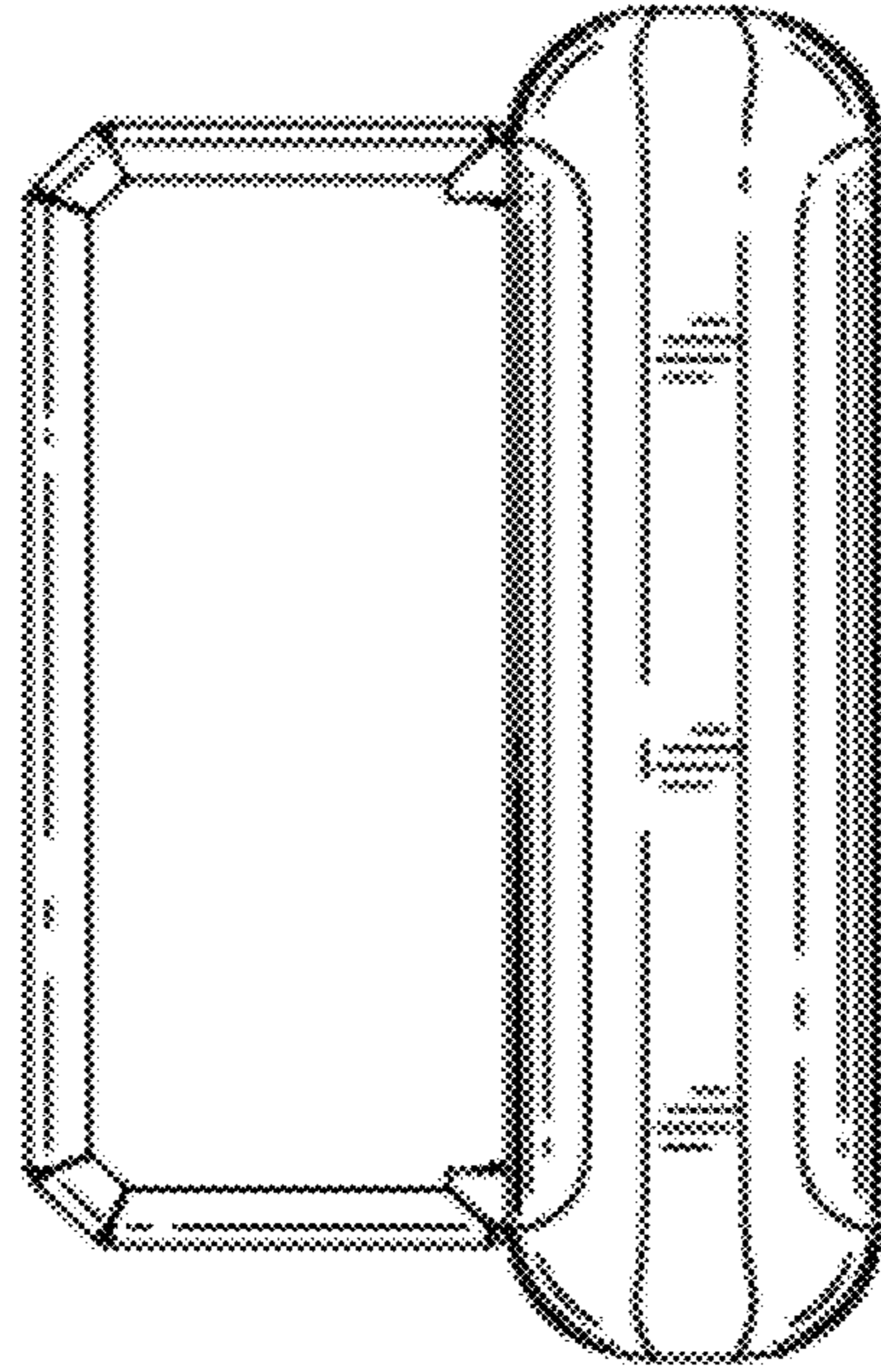


FIG. 4

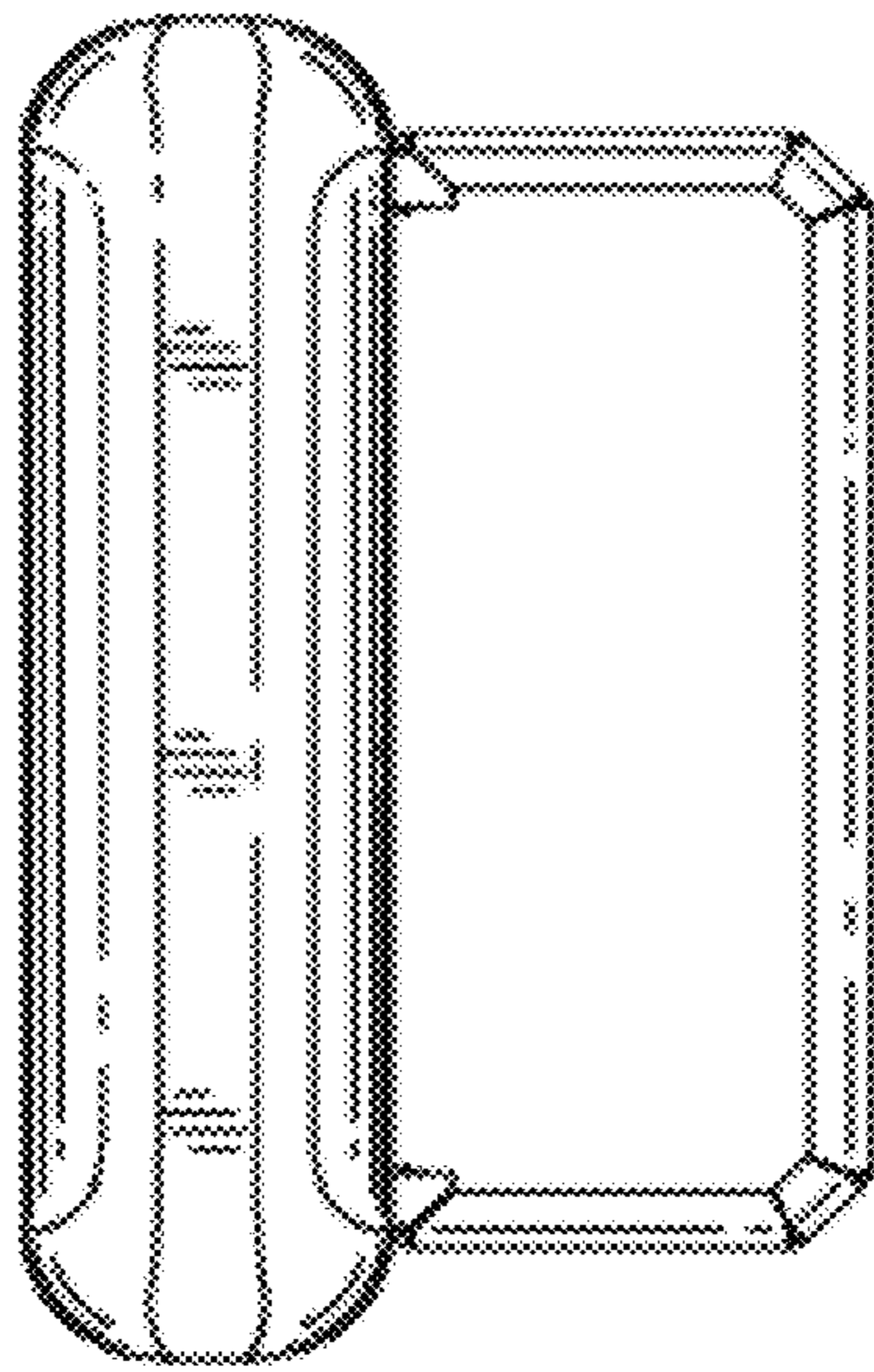


FIG. 5

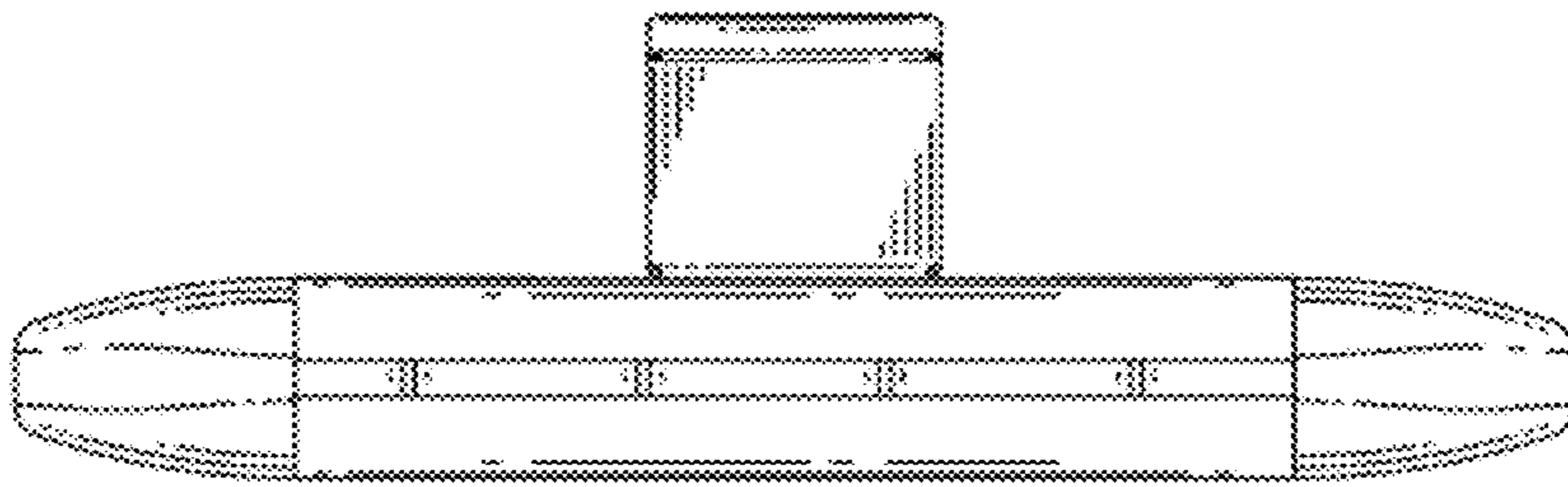


FIG. 6

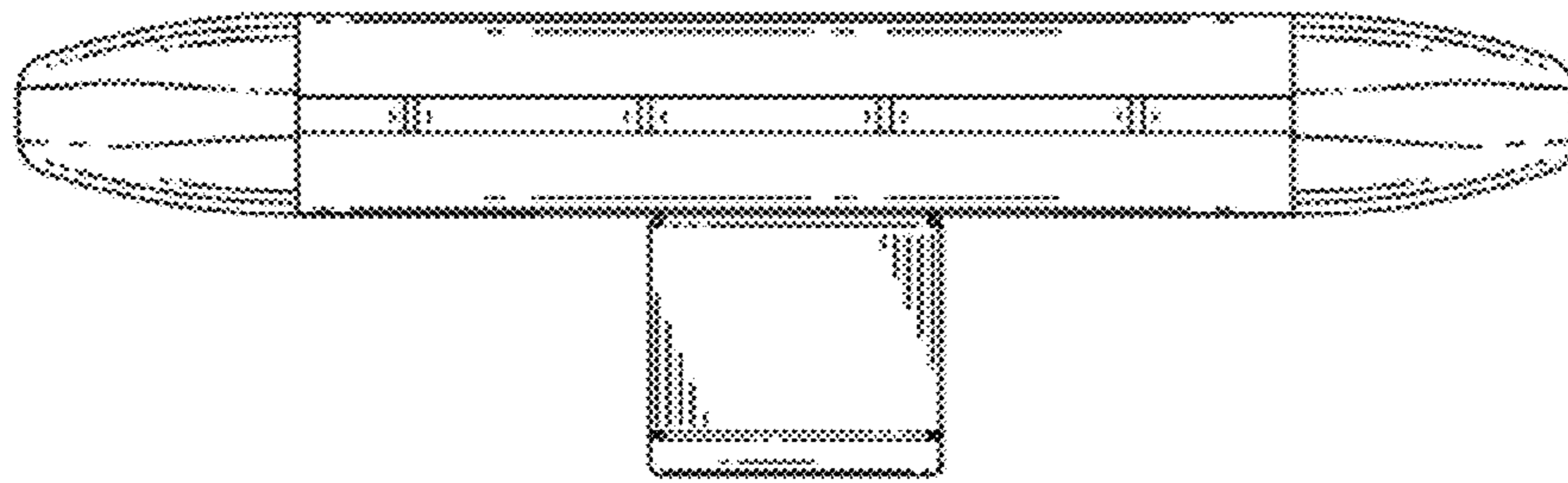


FIG. 7

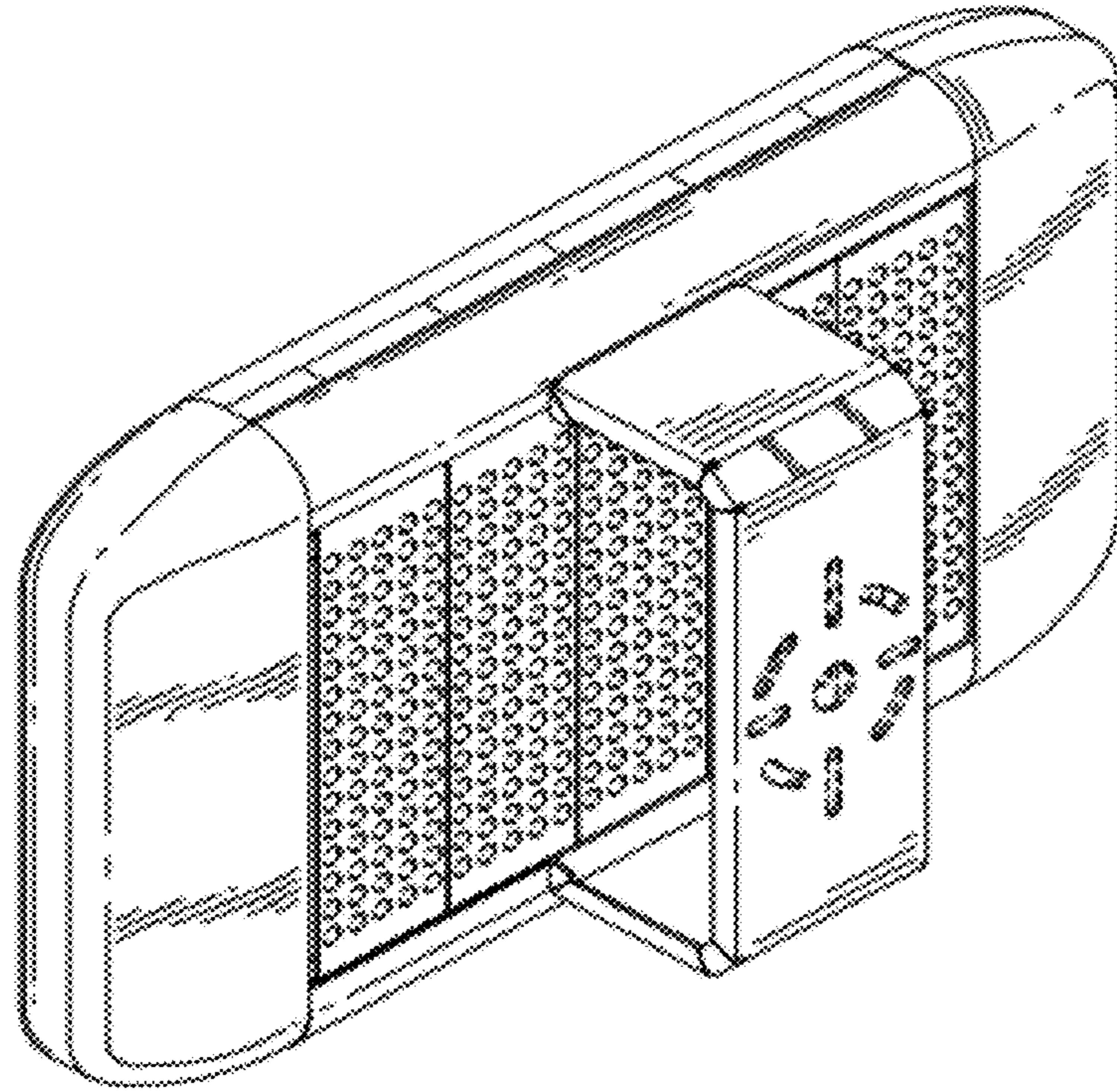


FIG. 8