

US00D666351S

(12) **United States Design Patent**
Tsao

(10) **Patent No.:** **US D666,351 S**

(45) **Date of Patent:** **** Aug. 28, 2012**

(54) **LED GARDEN LIGHT**

(76) Inventor: **Frank Tsao**, Dongguan (CN)

(**) Term: **14 Years**

(21) Appl. No.: **29/390,180**

(22) Filed: **Apr. 21, 2011**

(30) **Foreign Application Priority Data**

Nov. 3, 2010 (CN) 2010 3 0601090

(51) **LOC (9) Cl.** **26-03**

(52) **U.S. Cl.** **D26/92; D26/71**

(58) **Field of Classification Search** D26/61,
D26/63, 65, 67-71, 92; 362/249.01-249.06,
362/294, 373, 431

See application file for complete search history.

(56) **References Cited**

U.S. PATENT DOCUMENTS

D200,118 S * 1/1965 Van Steenhoven D26/71
D302,047 S * 7/1989 Flannery et al. D26/71
D321,950 S * 11/1991 Enthoven D26/92

D418,620 S * 1/2000 Grossman D26/71
D537,552 S * 2/2007 Monroe et al. D26/71
D580,085 S * 11/2008 Svensson D26/71
D629,552 S * 12/2010 Zhang D26/71
D649,694 S * 11/2011 Kong et al. D26/142

* cited by examiner

Primary Examiner — Clare E Heflin

(74) *Attorney, Agent, or Firm* — George D. Liu; Ronda IP Agent Co., Ltd

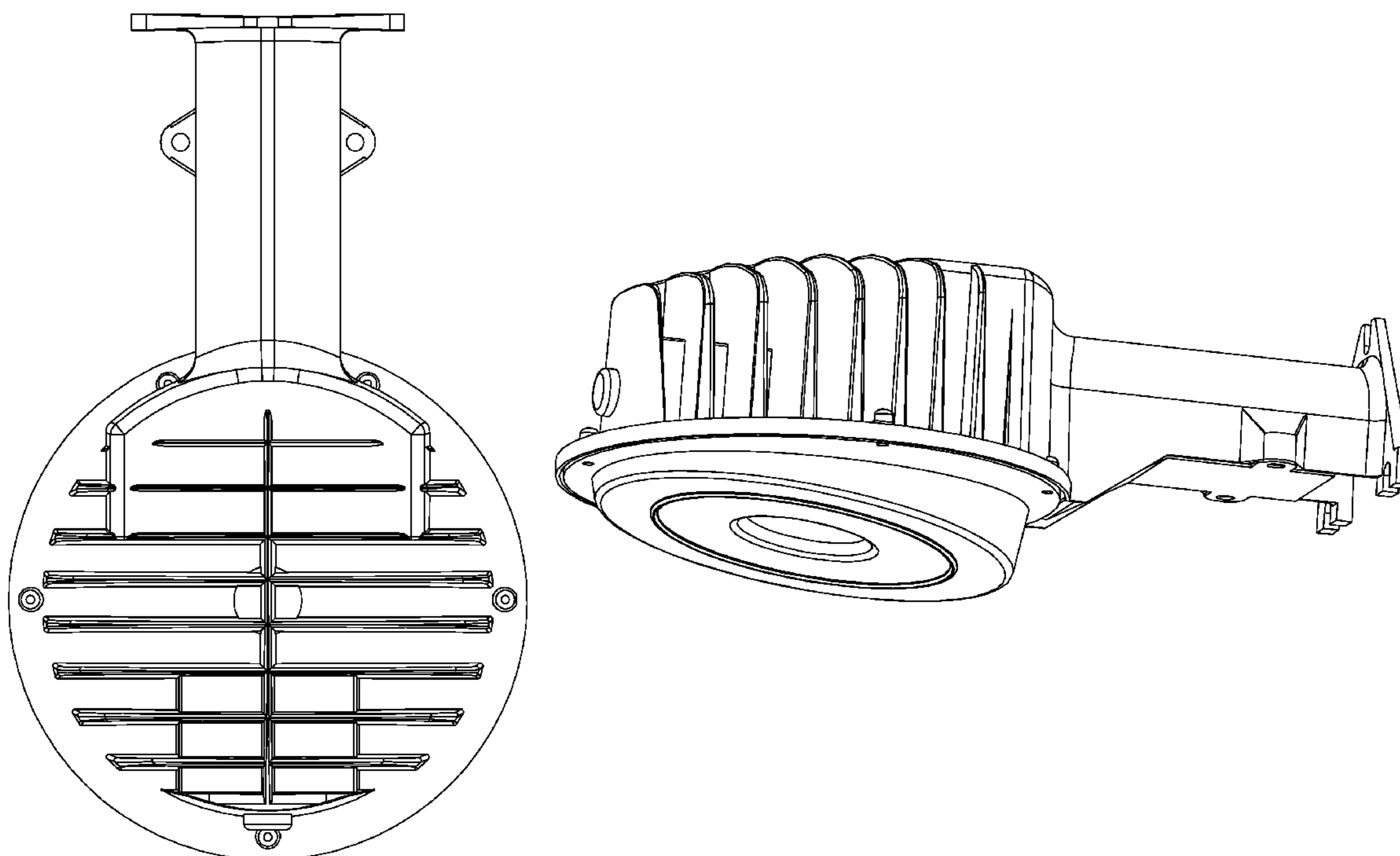
(57) **CLAIM**

The ornamental design for an LED garden light, as shown and described.

DESCRIPTION

FIG. 1 is a front view of the LED garden lamp;
FIG. 2 is a rear view thereof;
FIG. 3 is a left view thereof;
FIG. 4 is a right view thereof;
FIG. 5 is a bottom view thereof;
FIG. 6 is a top view thereof; and,
FIG. 7 is a perspective view thereof.

1 Claim, 3 Drawing Sheets



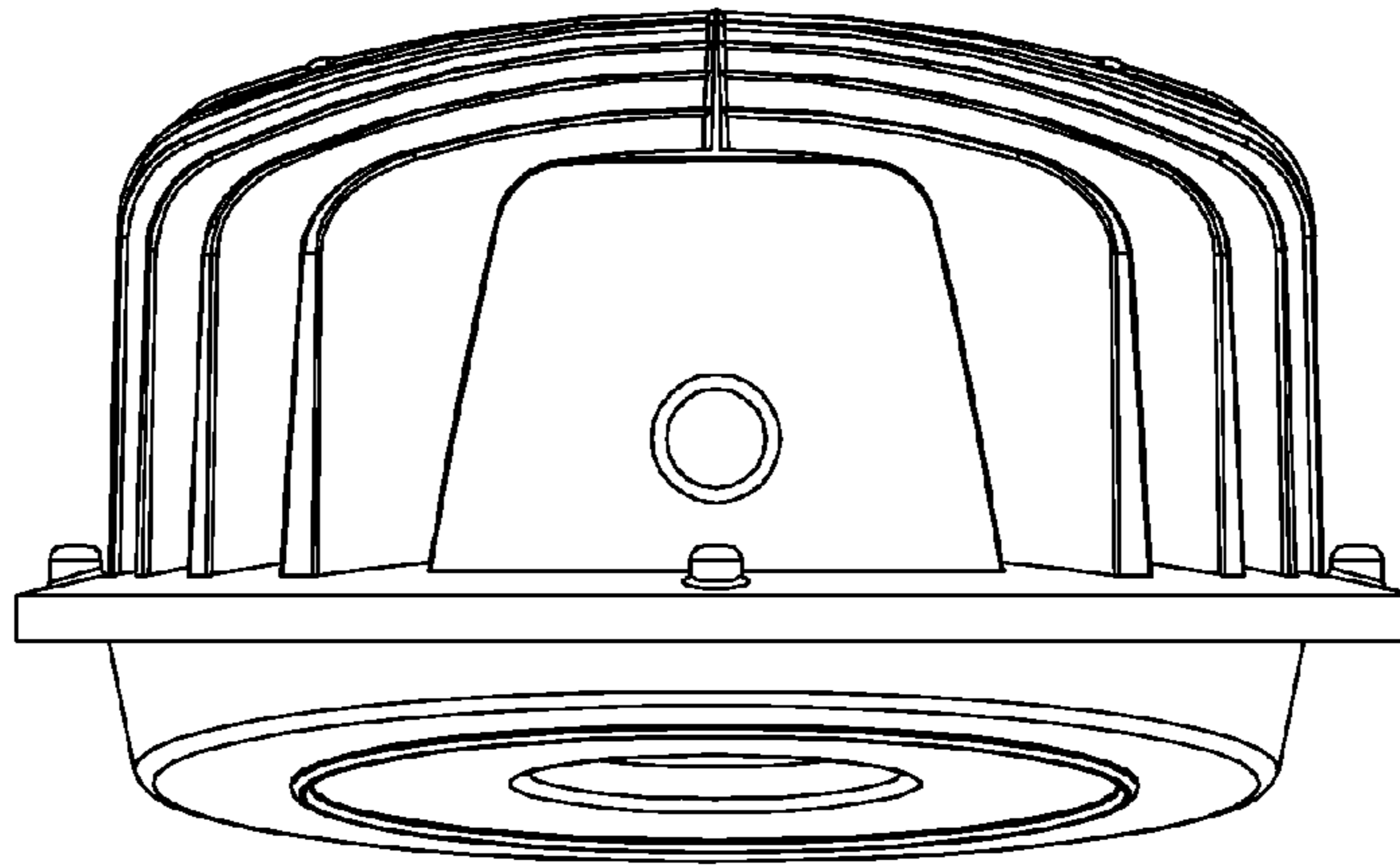


FIG.1

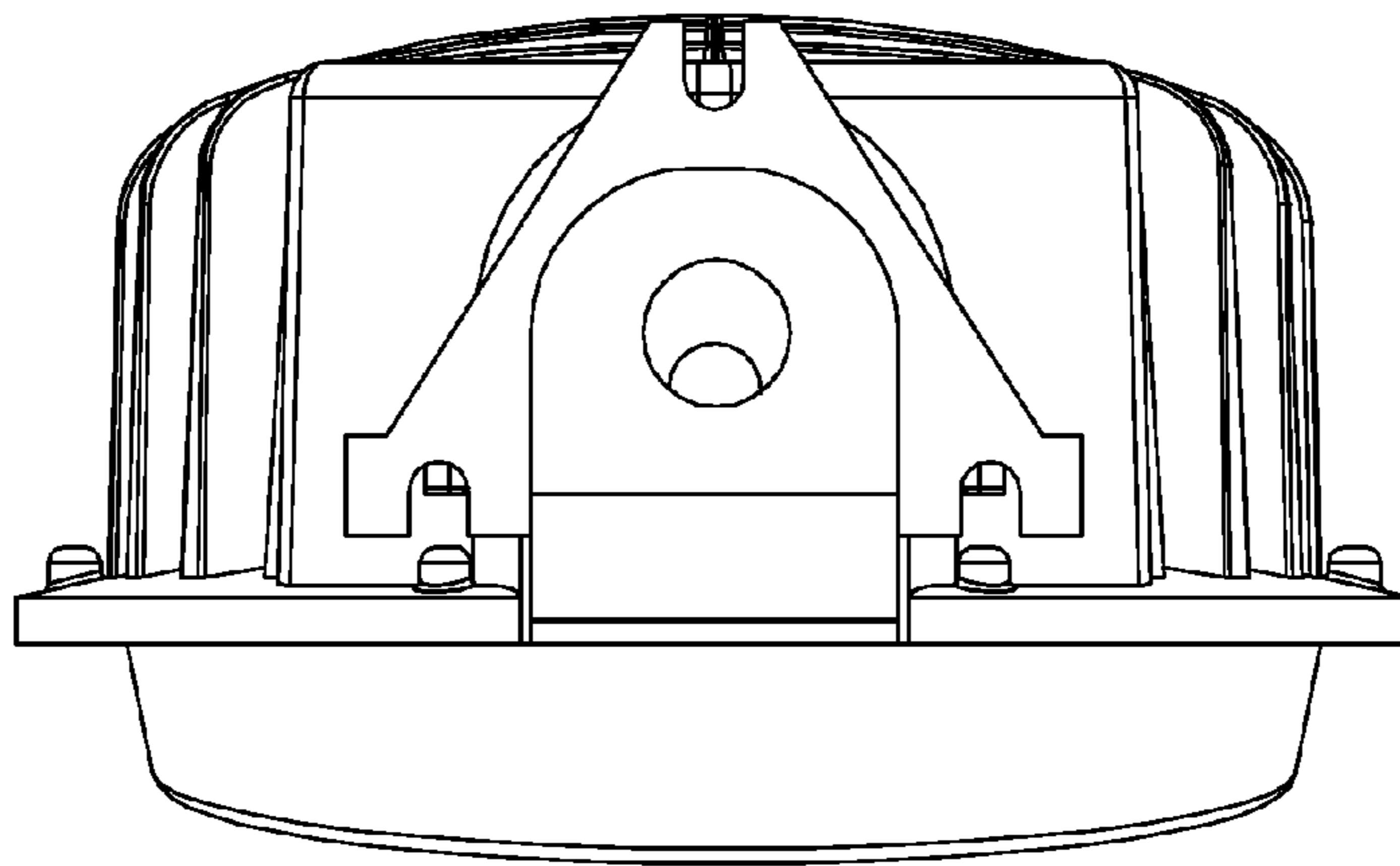


FIG.2

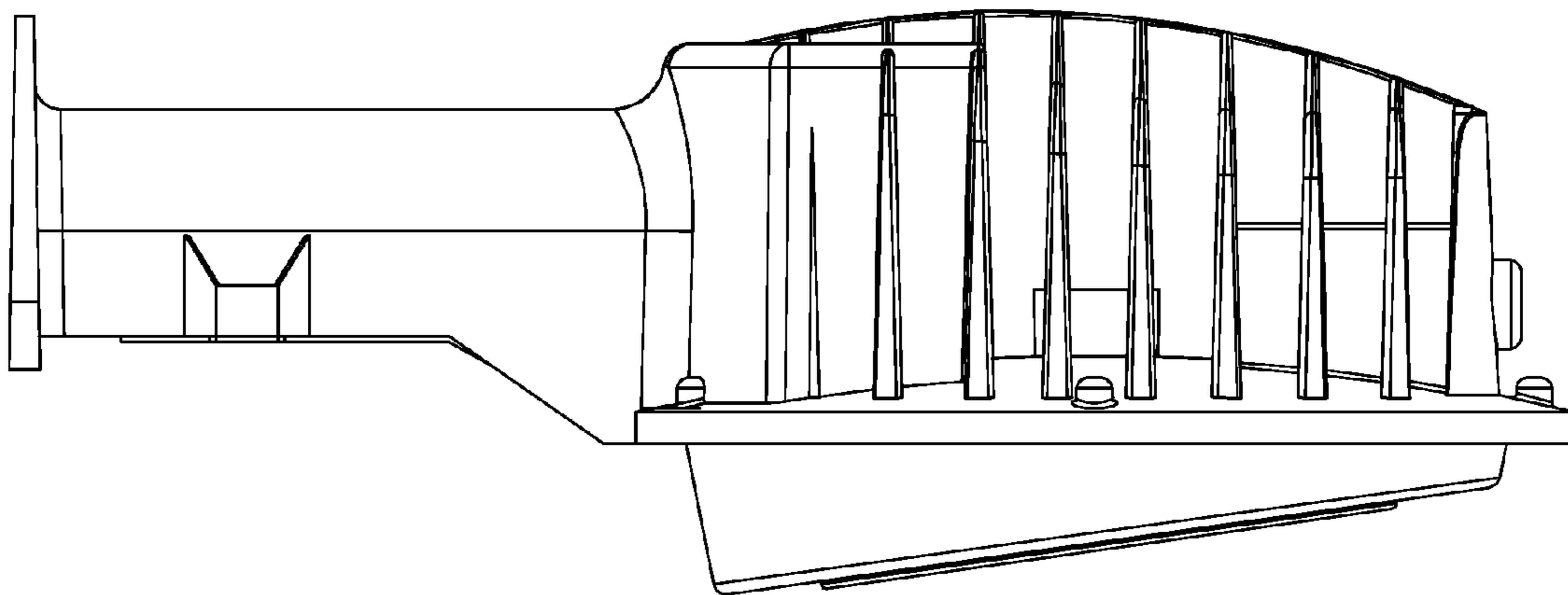


FIG.3

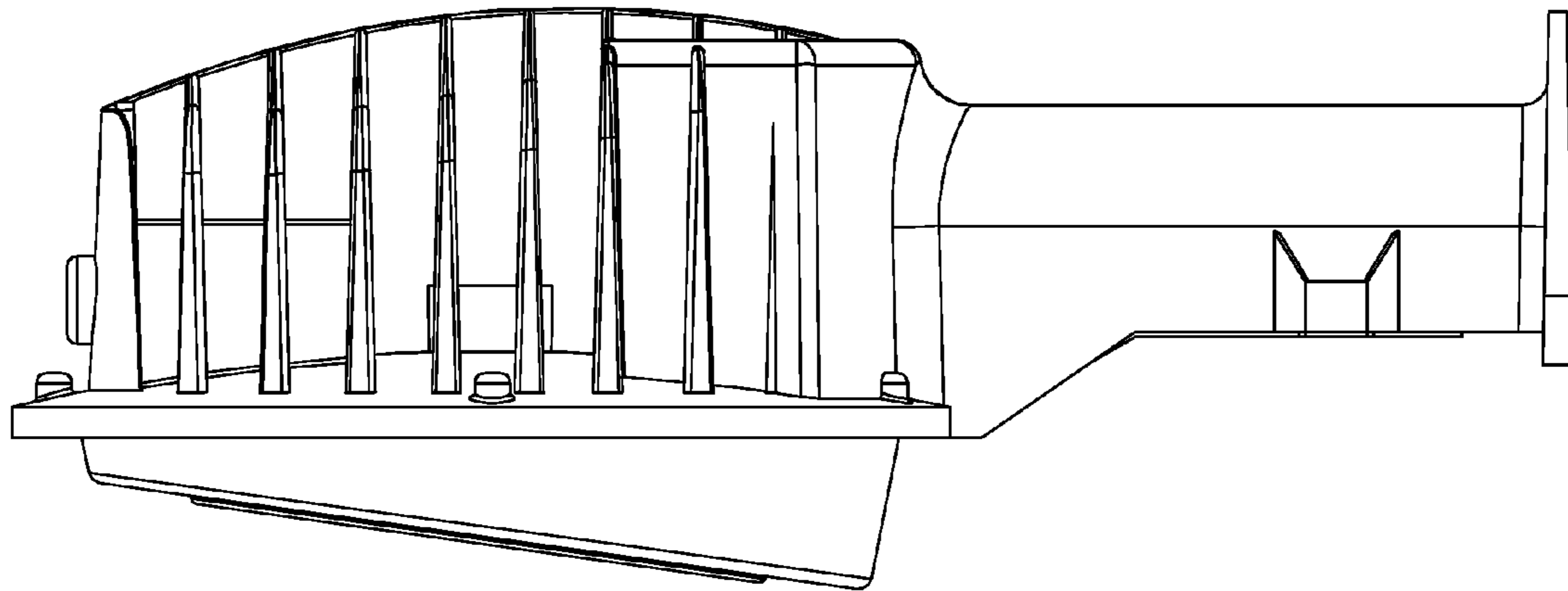


FIG.4

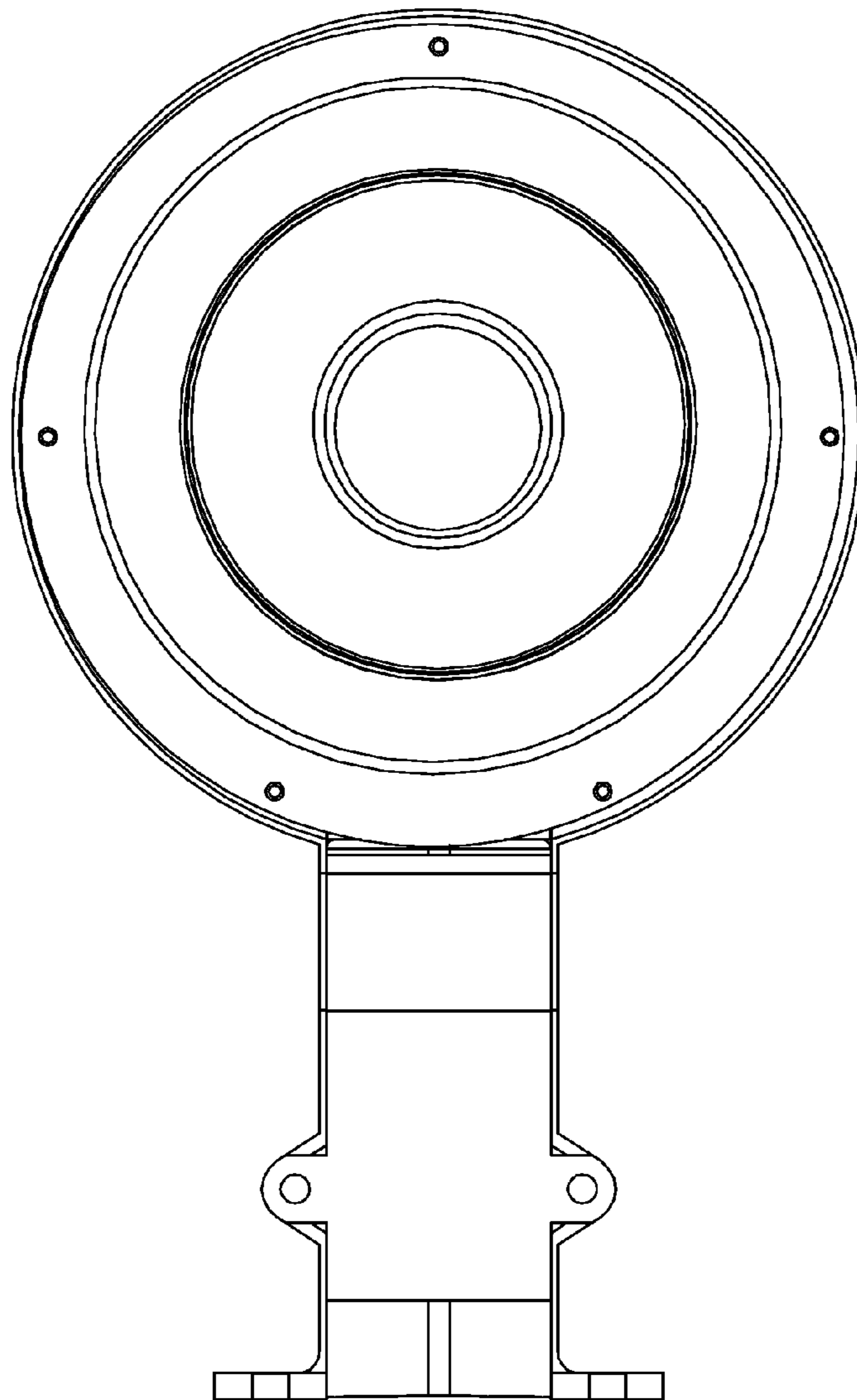


FIG.5

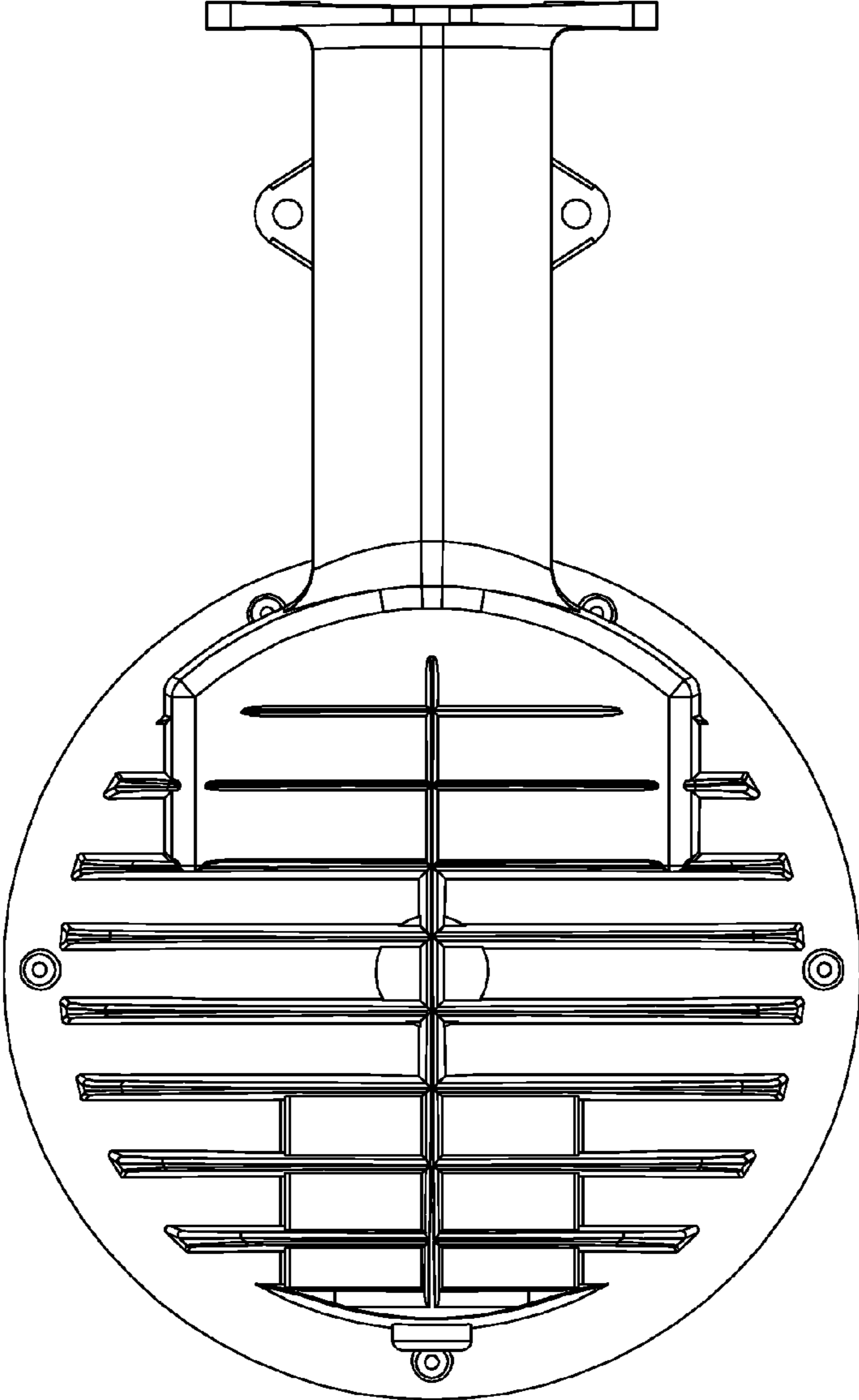


FIG. 6

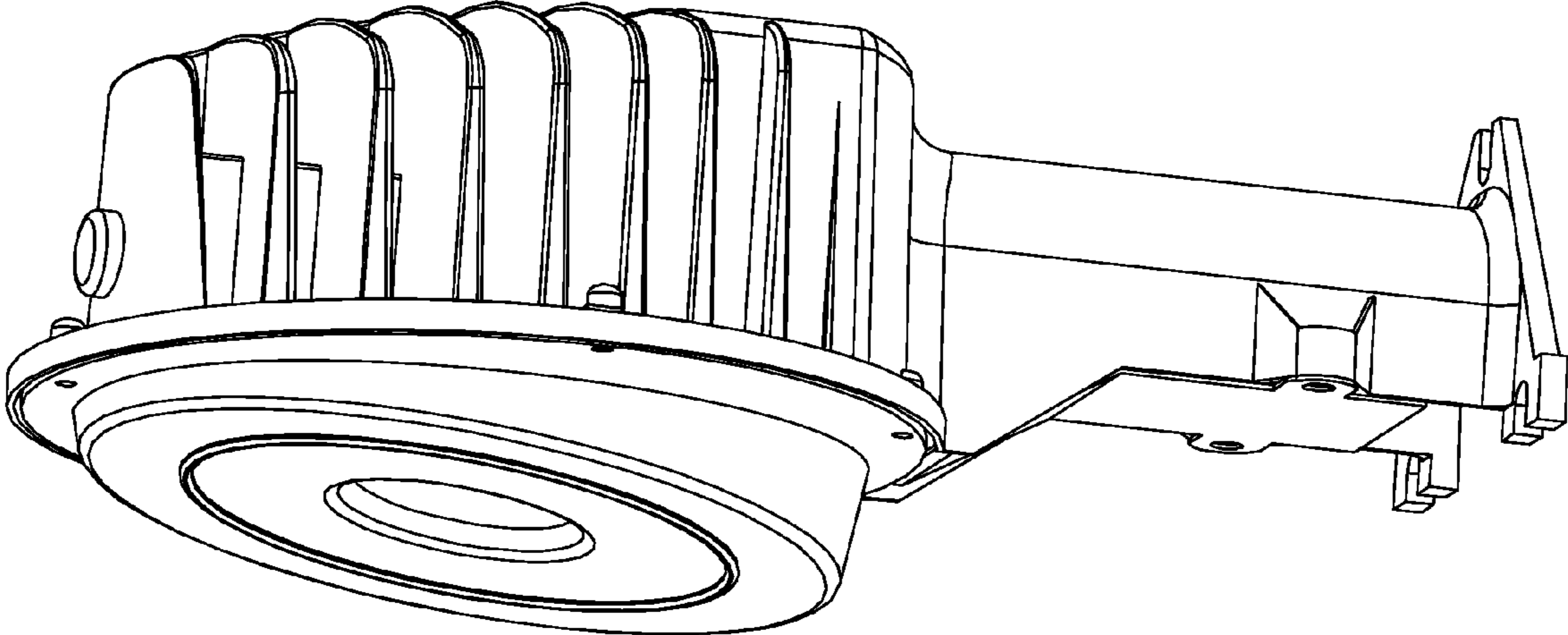


FIG. 7