



US00D666349S

(12) **United States Design Patent**
Sprengers

(10) **Patent No.:** **US D666,349 S**

(45) **Date of Patent:** **** Aug. 28, 2012**

(54) **LUMINAIRE**

(75) Inventor: **David Sprengers**, Antwerp (BE)

(73) Assignee: **Koninklijke Philips Electronics N.V.**,
Eindhoven (NL)

(**) Term: **14 Years**

(21) Appl. No.: **29/393,365**

(22) Filed: **Jun. 3, 2011**

(30) **Foreign Application Priority Data**

Dec. 6, 2010 (EM) 001789603-0009

(51) **LOC (9) Cl.** **26-03**

(52) **U.S. Cl.** **D26/85; D26/63**

(58) **Field of Classification Search** D26/61,
D26/62, 79, 80, 85, 86, 87, 89, 92, 128, 138,
D26/141, 155; 362/147, 404-408, 431, 432
See application file for complete search history.

(56) **References Cited**

U.S. PATENT DOCUMENTS

D291,253 S *	8/1987	Ortega	D26/29
D359,374 S *	6/1995	Weinstock	D26/80
D469,911 S *	2/2003	Lee	D26/85
D563,012 S *	2/2008	Citterio	D26/63
D568,522 S *	5/2008	Engel	D26/74

D636,105 S *	4/2011	Gielen	D26/63
D639,994 S *	6/2011	Wauters	D26/83
D643,964 S *	8/2011	Heyrman	D26/85
D643,968 S *	8/2011	Sprengers	D26/89
D646,416 S *	10/2011	Wauters	D26/63
D646,417 S *	10/2011	Wauters	D26/63
D646,819 S *	10/2011	Heyrman	D26/63
D648,471 S *	11/2011	Wauters	D26/63

OTHER PUBLICATIONS

“Vision” Model# E22013-09 shown on p. 156 of the ET2 Lighting 2007 Catalog #LETCAT0706.*

* cited by examiner

Primary Examiner — Clare E Heflin

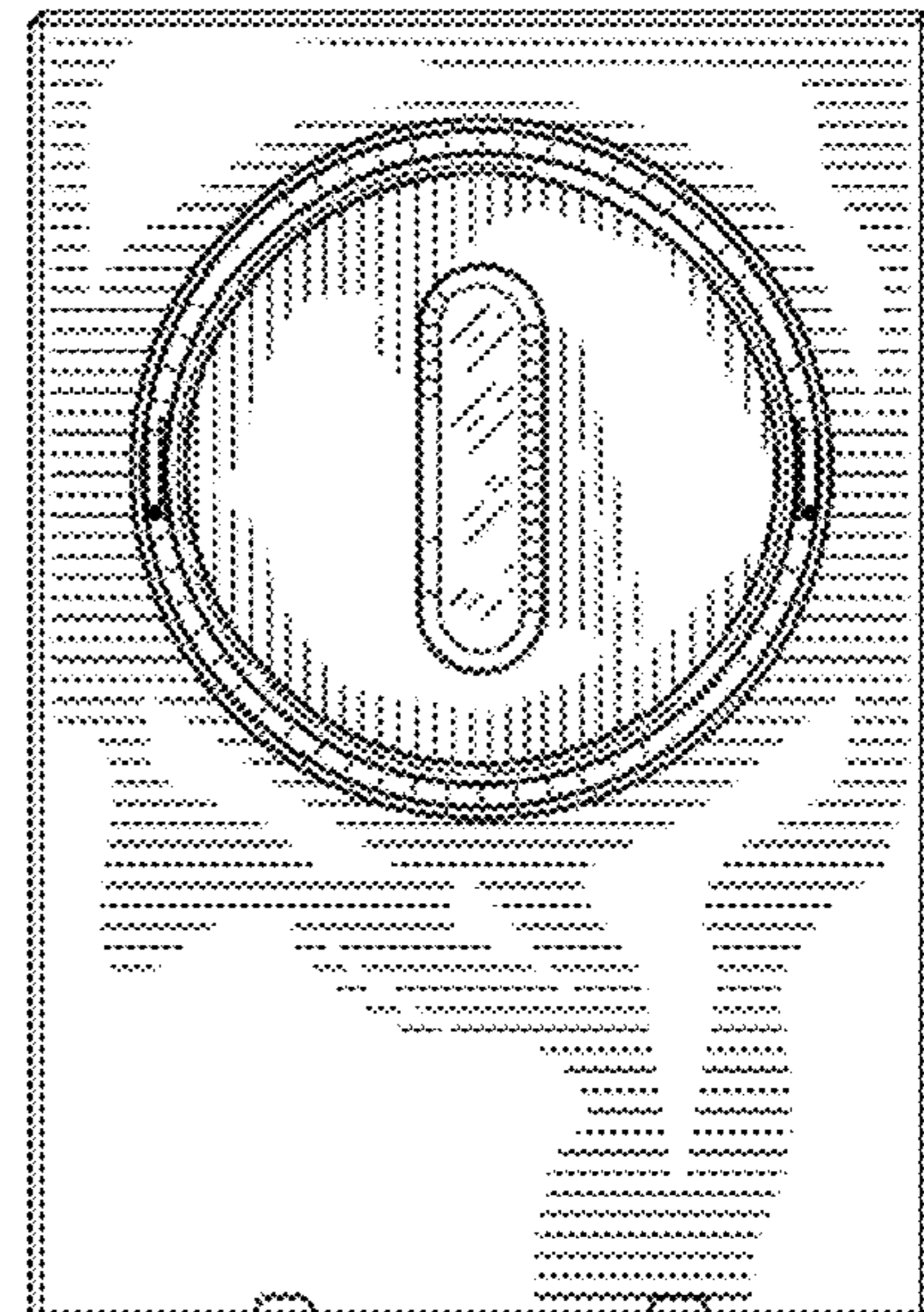
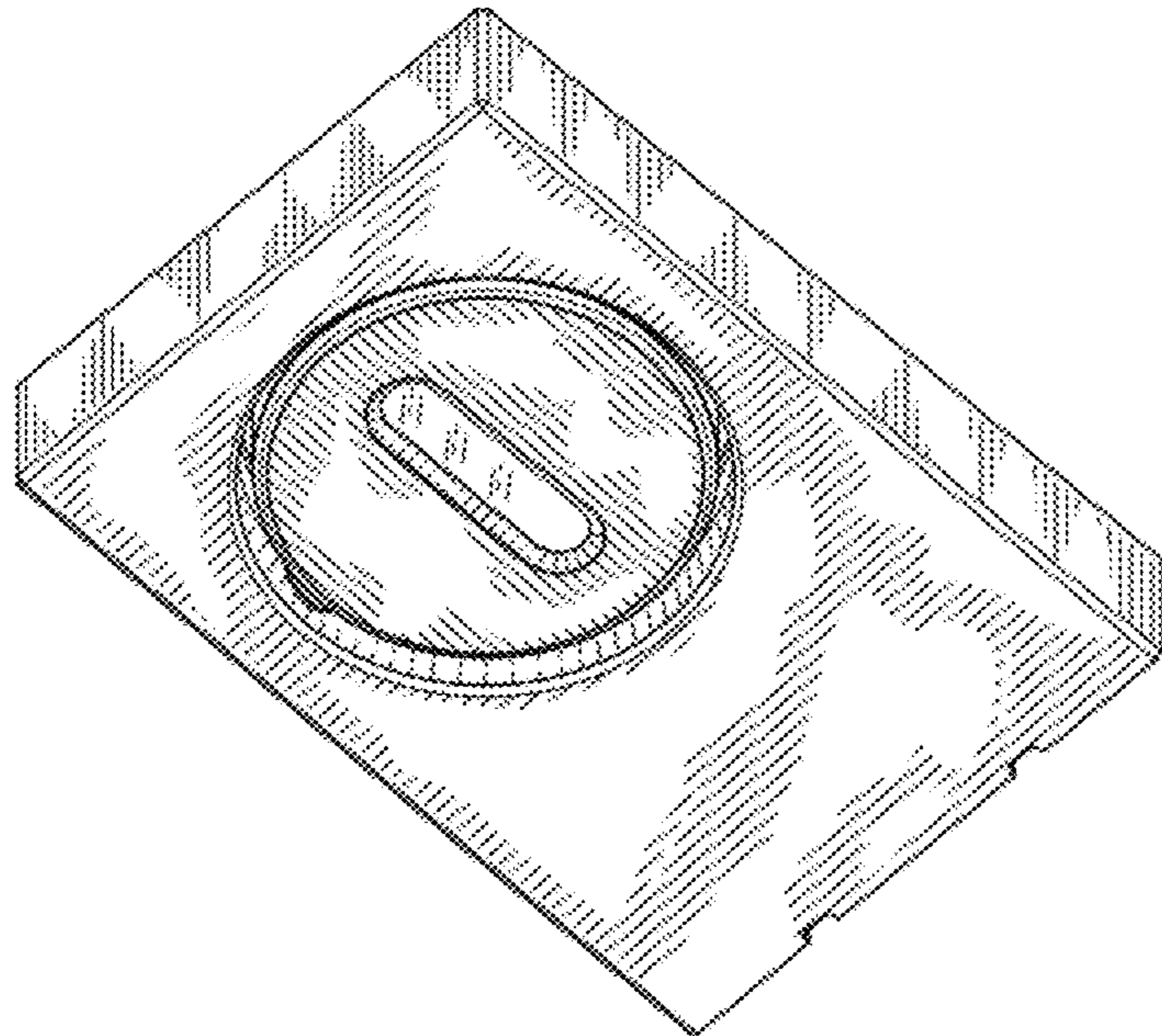
(57) **CLAIM**

The ornamental design for a luminaire, as shown.

DESCRIPTION

FIG. 1 is a perspective view showing my design;
FIG. 2 is a front elevational view thereof;
FIG. 3 is a rear elevational view thereof;
FIG. 4 is a right side elevational view thereof;
FIG. 5 is a left side elevational view thereof;
FIG. 6 is a top plan view thereof; and,
FIG. 7 is a bottom plan view thereof.

1 Claim, 4 Drawing Sheets



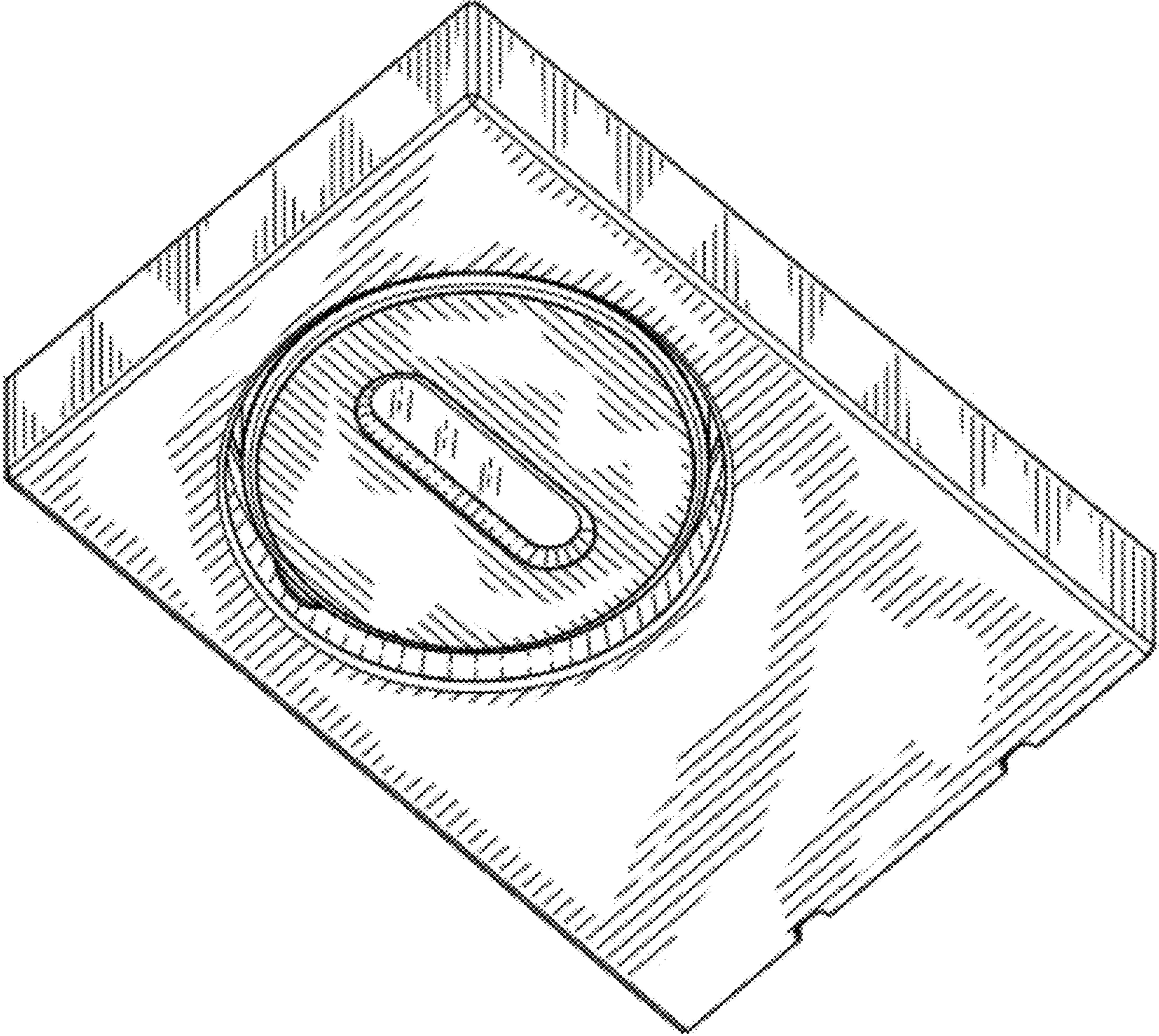


FIG.1

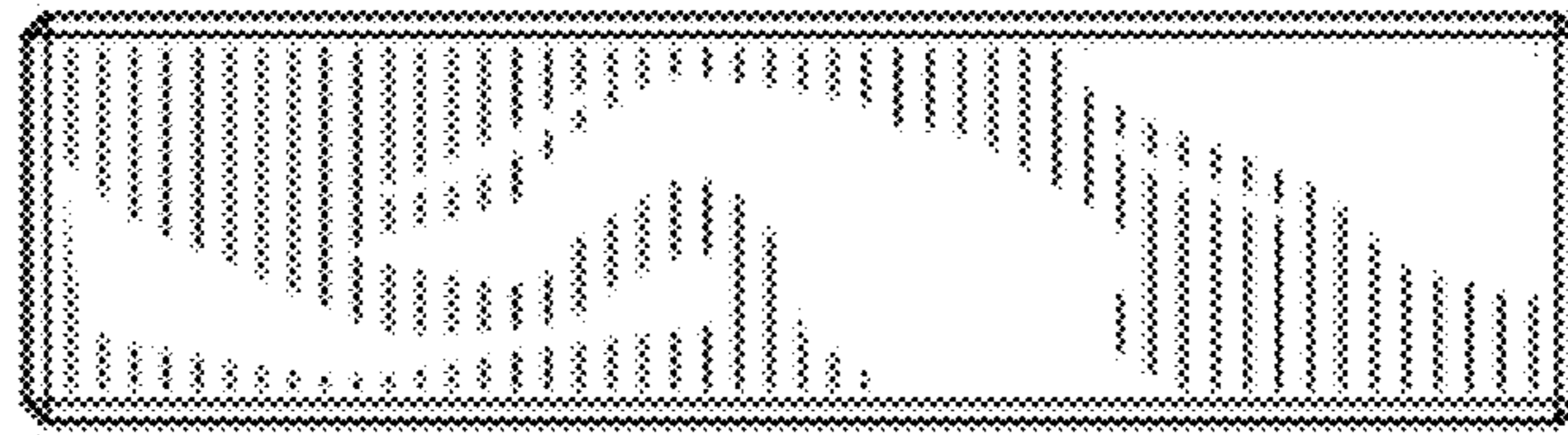


FIG. 2

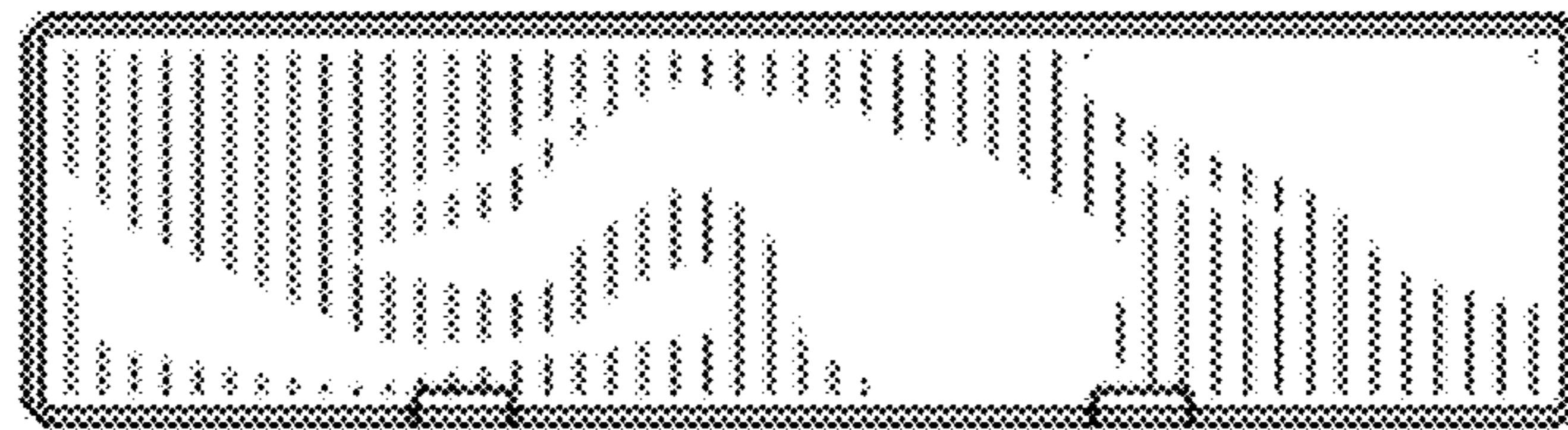


FIG. 3

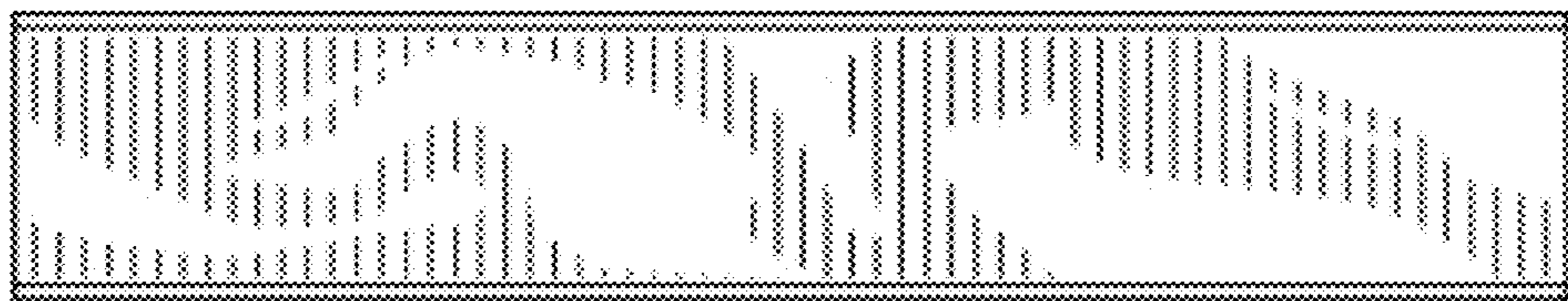


FIG. 4

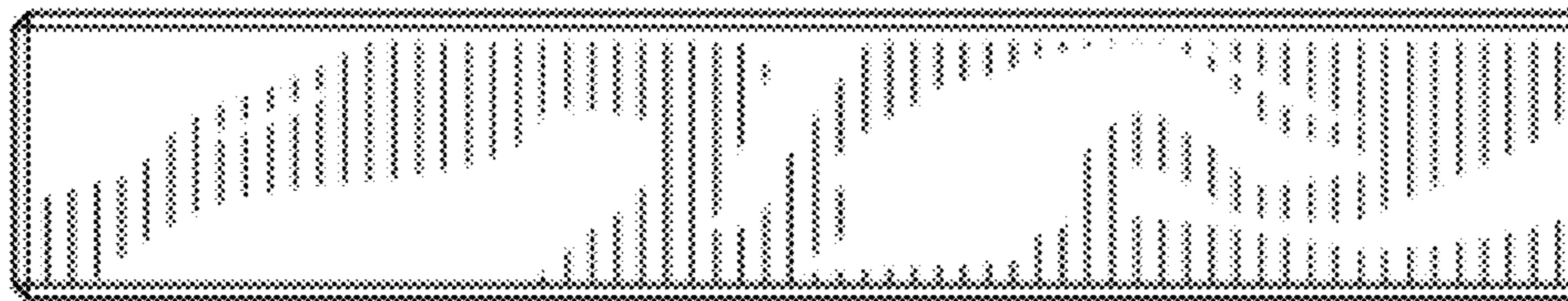


FIG. 5

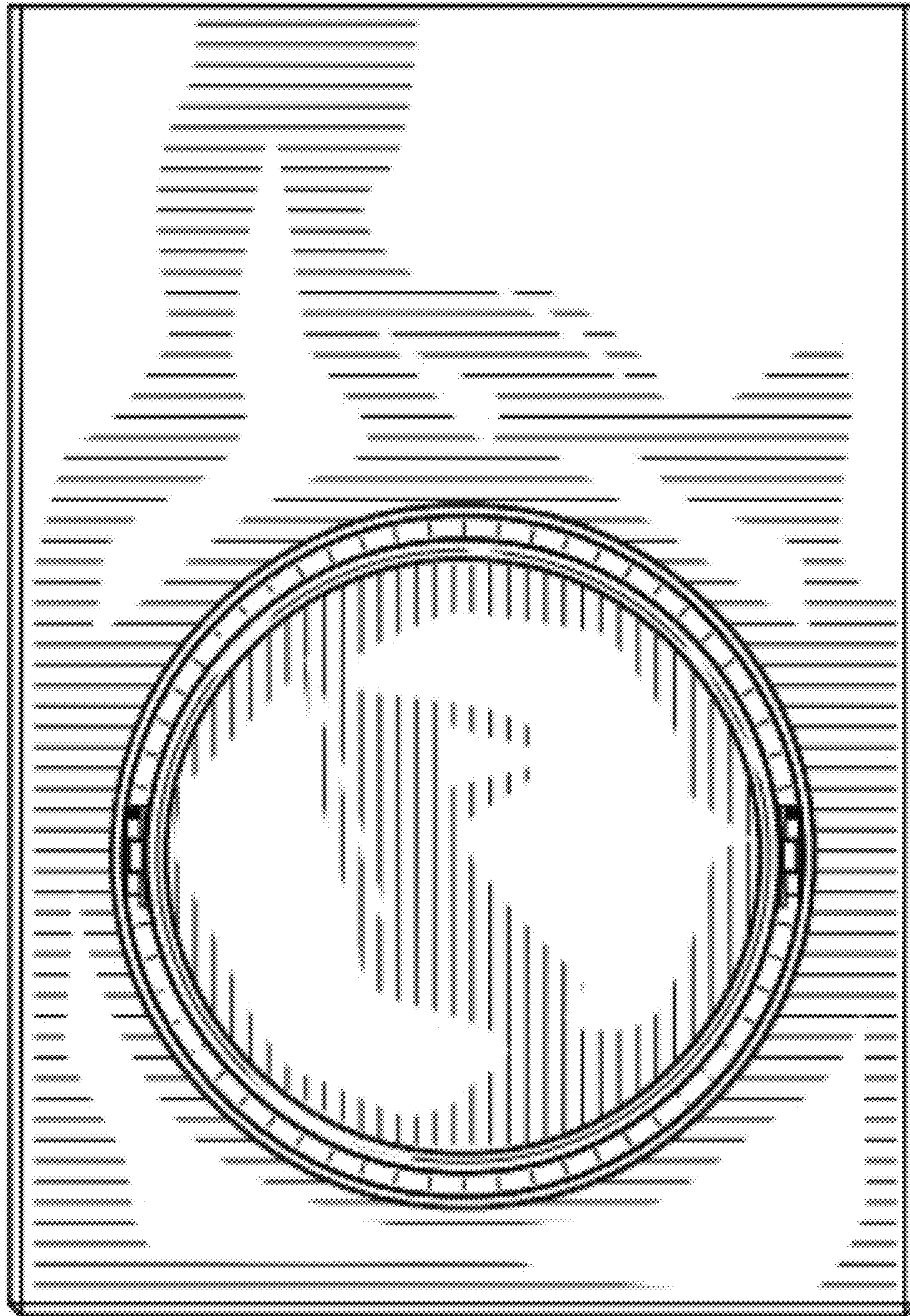


FIG. 6

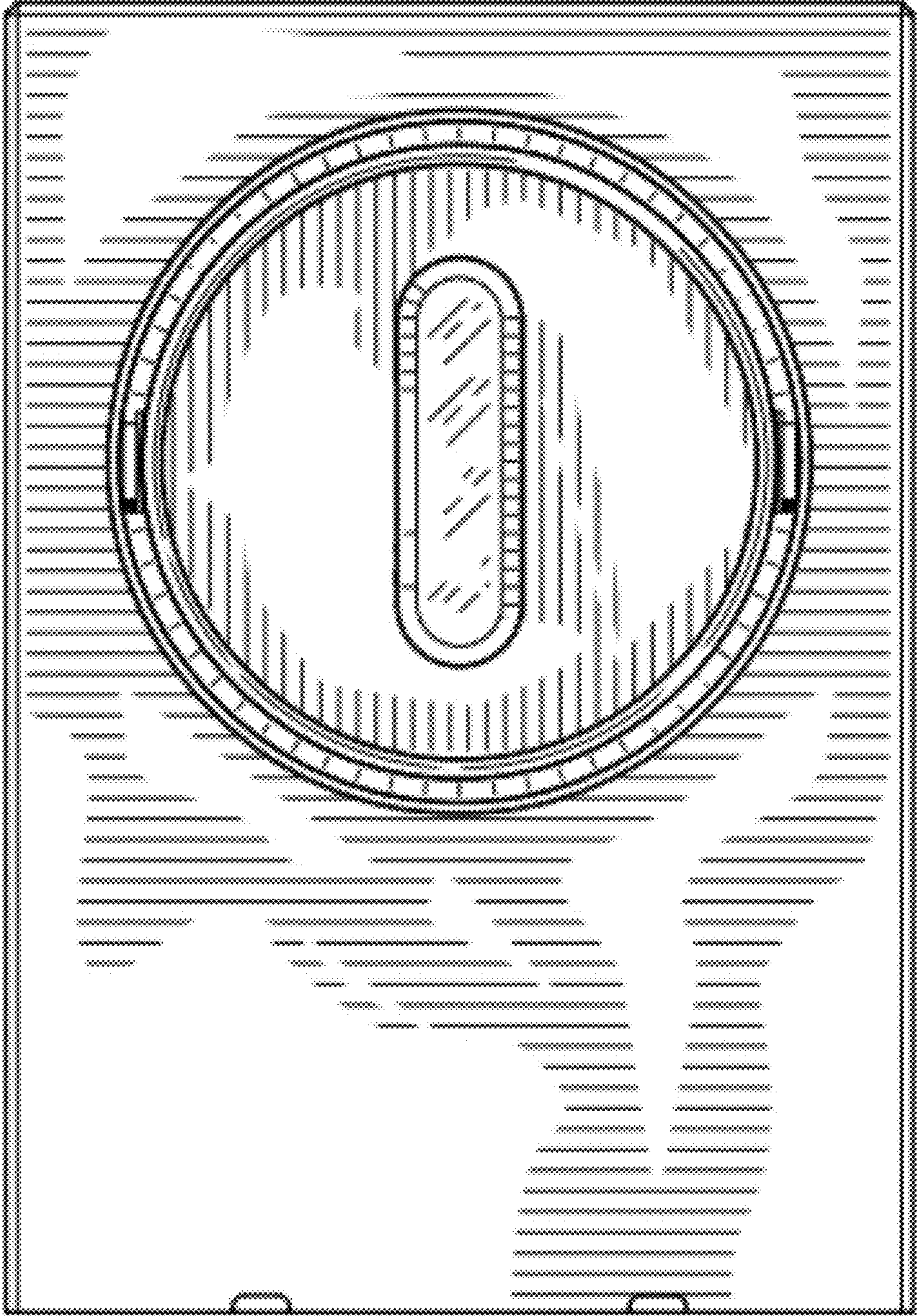


FIG. 7