

US00D666347S

(12) **United States Design Patent**
Kim et al.

(10) **Patent No.:** **US D666,347 S**

(45) **Date of Patent:** **** Aug. 28, 2012**

(54) **HEAD OF STREET LAMP**

(75) Inventors: **Kwang Soo Kim**, Seoul (KR); **Bu Kwan Je**, Seoul (KR); **Ki Man Park**, Seoul (KR); **Young Ho Shin**, Seoul (KR); **Ye Seul Yang**, Seoul (KR); **Ji Hoo Kim**, Seoul (KR)

(73) Assignee: **LG Innotek Co., Ltd.**, Seoul (KR)

(**) Term: **14 Years**

(21) Appl. No.: **29/400,171**

(22) Filed: **Aug. 24, 2011**

(30) **Foreign Application Priority Data**

Feb. 25, 2011 (KR) 30-2011-0007553

(51) **LOC (9) Cl.** **26-03**

(52) **U.S. Cl.** **D26/71**

(58) **Field of Classification Search** D26/67-71,
D26/92; 362/249.01-249.06, 294, 373, 431
See application file for complete search history.

(56) **References Cited**

U.S. PATENT DOCUMENTS

D195,310 S * 5/1963 Zagel D26/70
D195,583 S * 7/1963 Phillips D26/71

7,329,030 B1 * 2/2008 Wang 362/373
D577,455 S * 9/2008 Zheng et al. D26/71
D601,292 S * 9/2009 Yan et al. D26/71
D614,336 S * 4/2010 Zheng et al. D26/71
7,695,163 B2 * 4/2010 Yamada et al. 362/294
D616,592 S * 5/2010 Chen D26/71
D621,988 S * 8/2010 Zheng et al. D26/71
D650,110 S * 12/2011 Zhu D26/71

* cited by examiner

Primary Examiner — Clare E Heflin

(74) *Attorney, Agent, or Firm* — Lowe Hauptman Ham & Berner, LLP

(57) **CLAIM**

The ornamental design for a head of street lamp, as shown and described.

DESCRIPTION

FIG. 1 is a perspective view of a head of street lamp showing my/our new design;
FIG. 2 is a front elevational view thereof;
FIG. 3 is a rear elevational view thereof;
FIG. 4 is a left side elevational view thereof;
FIG. 5 is a right side elevational view thereof;
FIG. 6 is a top plan view thereof;
FIG. 7 is a bottom plan view thereof; and,
FIG. 8 is an alternate perspective view, as seen from the rear.

1 Claim, 7 Drawing Sheets

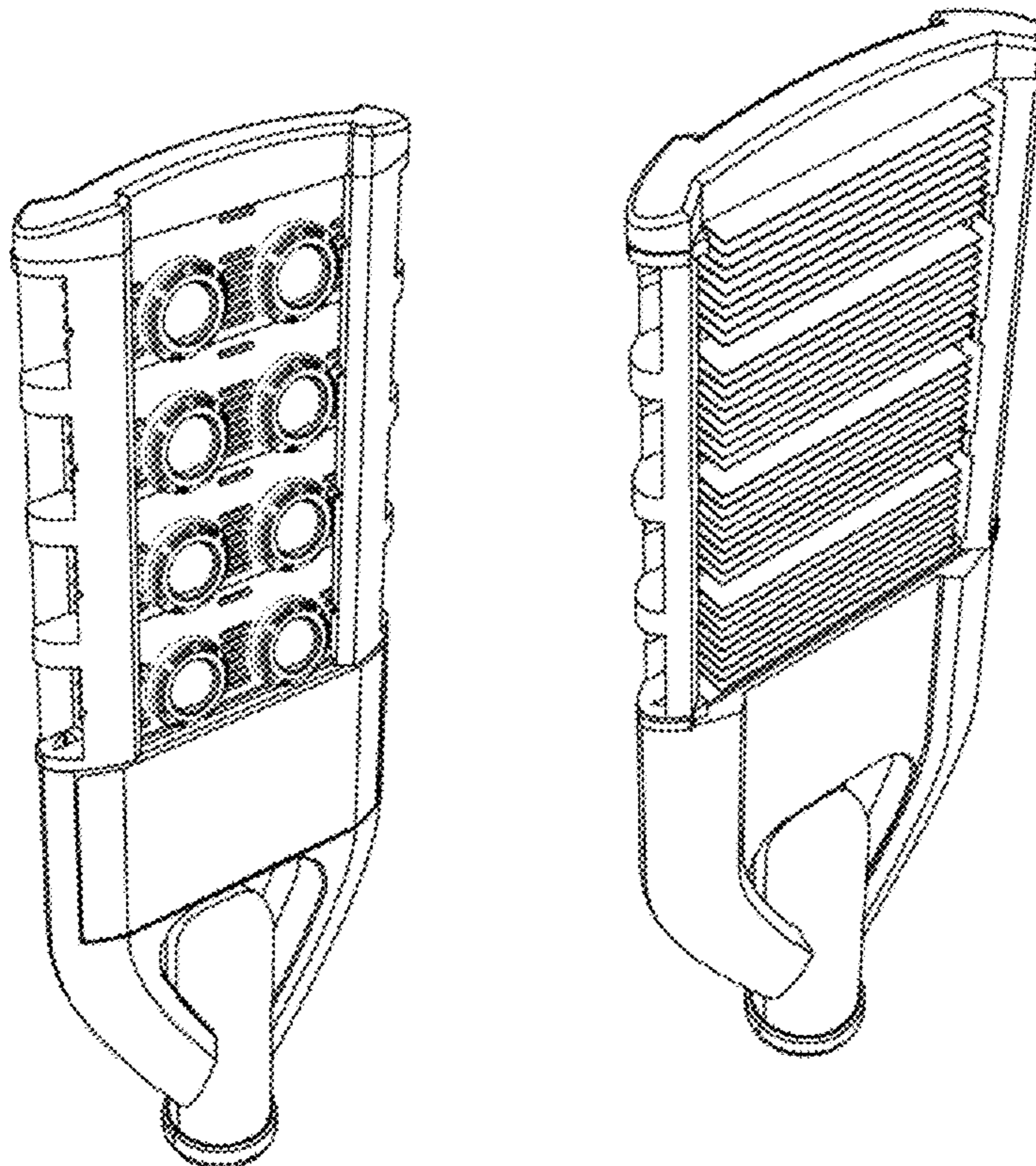


FIG. 1

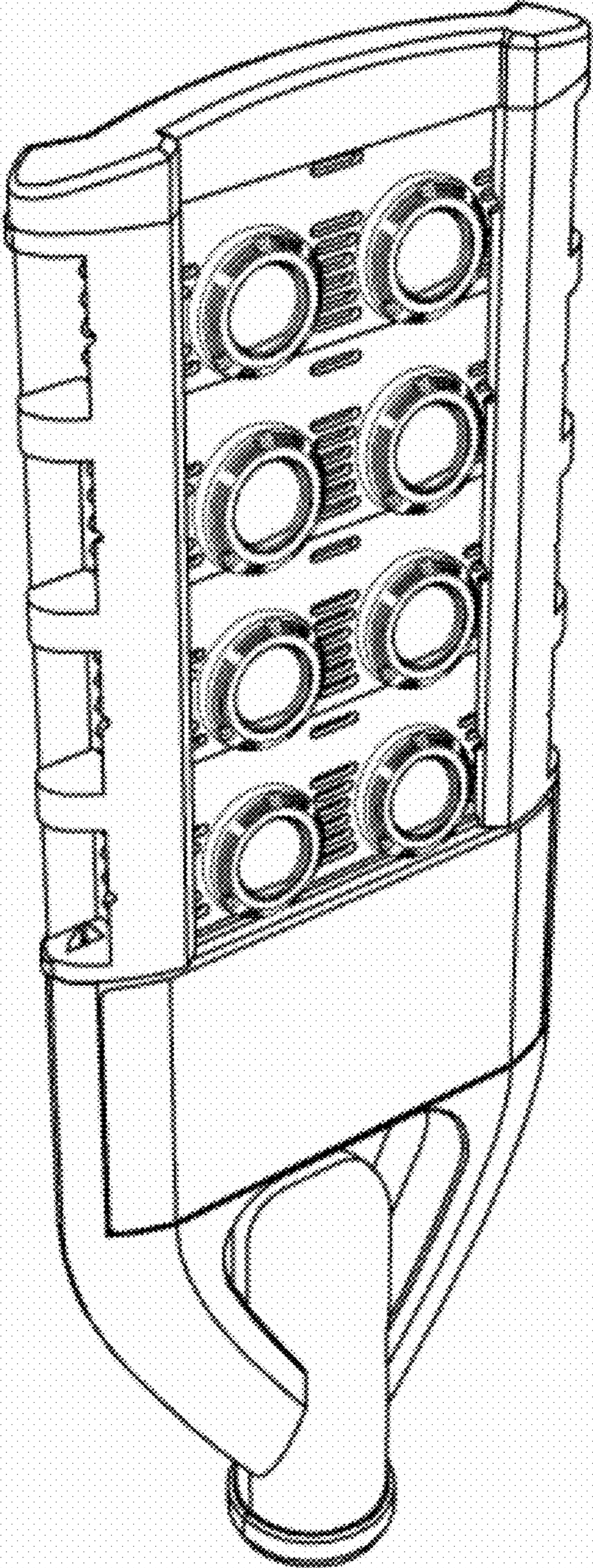


FIG. 2

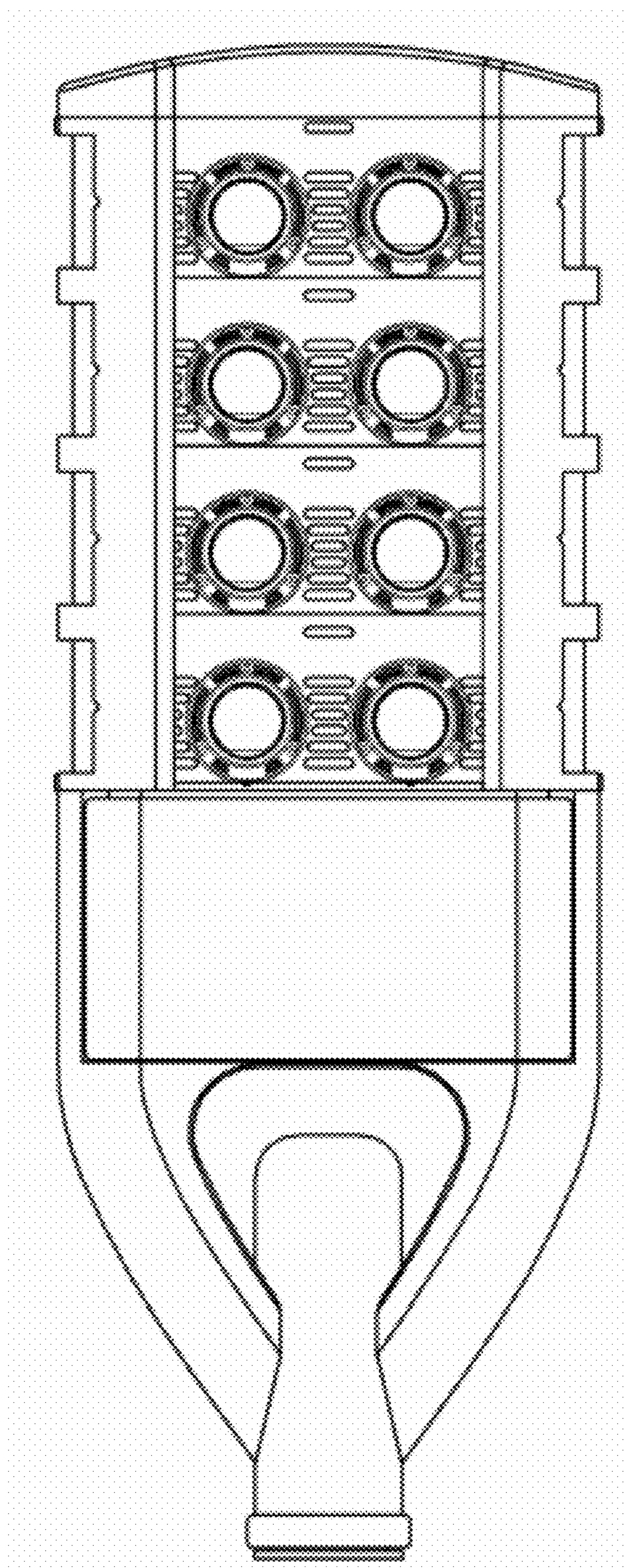


FIG. 3

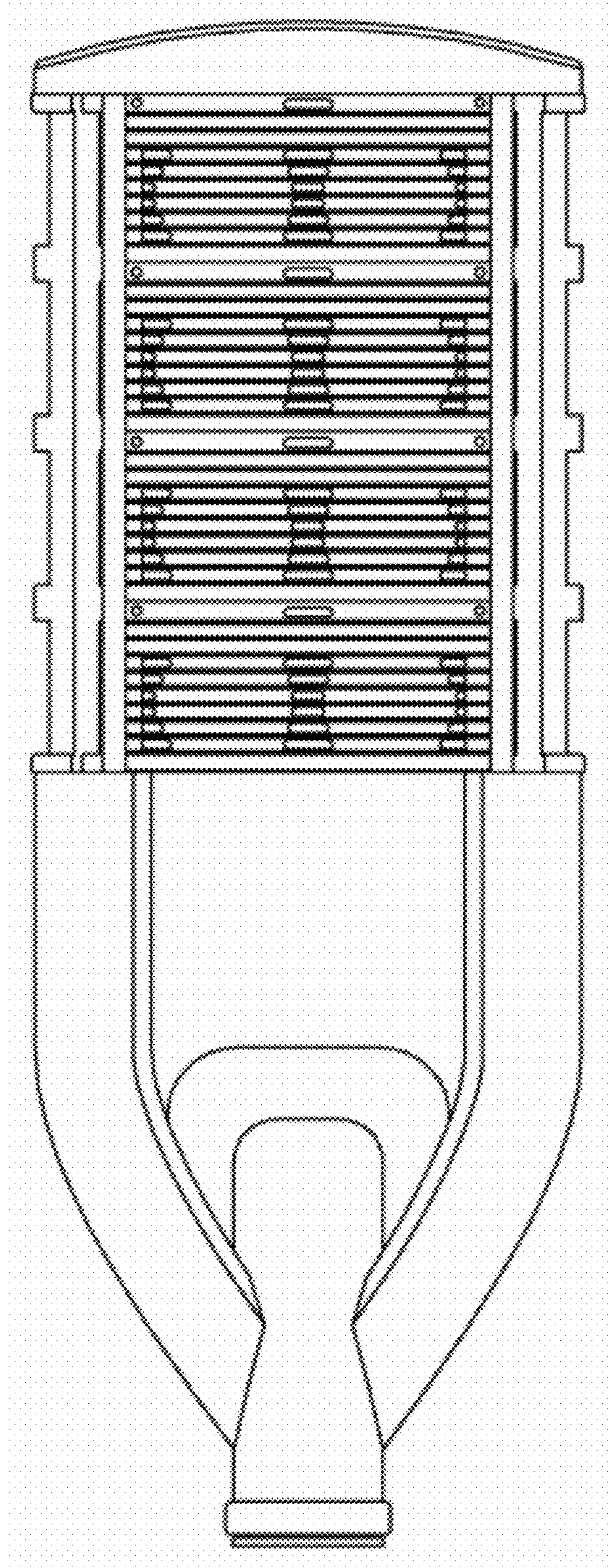


FIG. 4

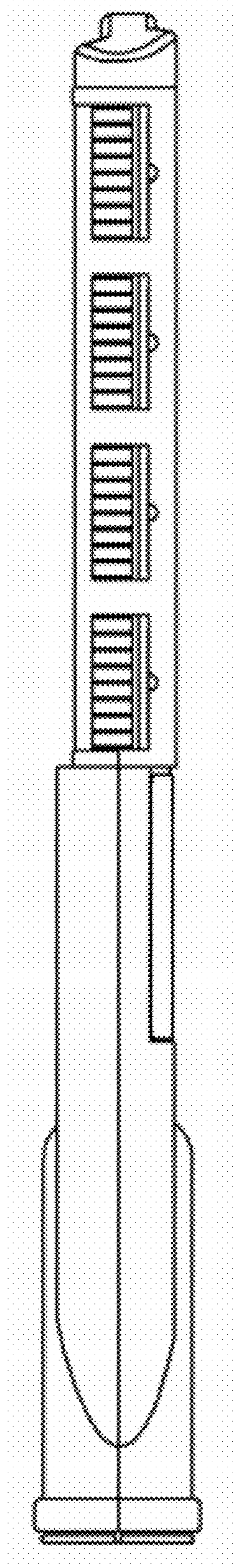


FIG. 5

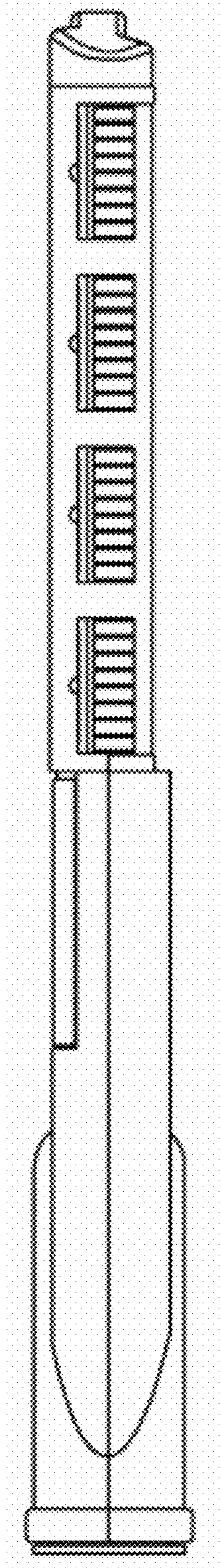


FIG. 6

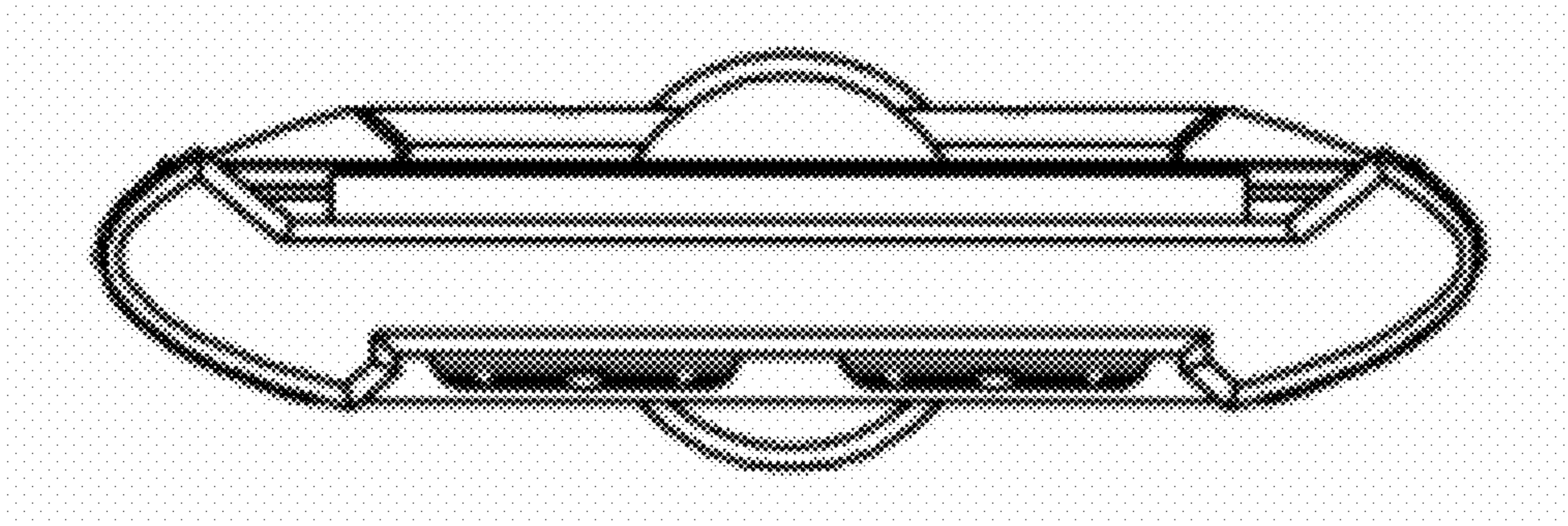


FIG. 7

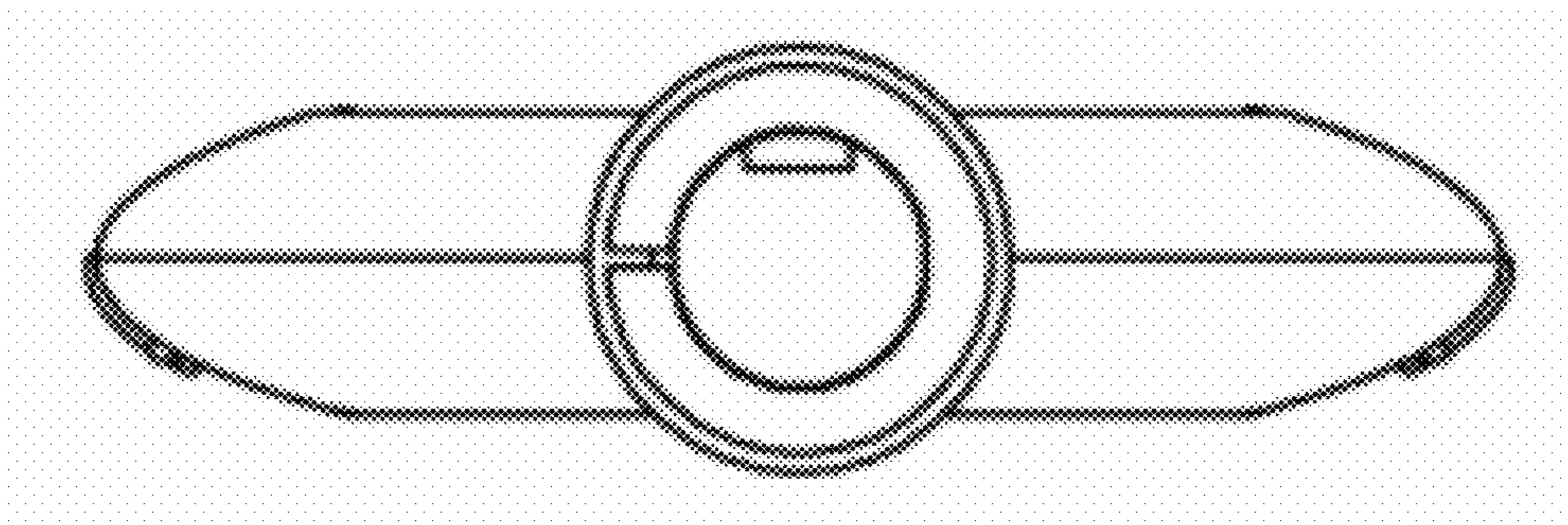


FIG. 8

