



US00D666344S

(12) **United States Design Patent**
Lee

(10) **Patent No.:** **US D666,344 S**

(45) **Date of Patent:** **** Aug. 28, 2012**

(54) **LED FLASHLIGHT**

(75) Inventor: **Ke-chin Lee**, Taipei (CN)

(73) Assignee: **Zhongshan Weiqiang Technology Co., Ltd.**, Zhongshan, Guangdong (CN)

(**) Term: **14 Years**

(21) Appl. No.: **29/396,658**

(22) Filed: **Jul. 5, 2011**

(51) **LOC (9) Cl.** **26-02**

(52) **U.S. Cl.** **D26/49**

(58) **Field of Classification Search** D26/37,
D26/38, 39, 40, 45, 46, 49; 362/157, 158,
362/183, 184, 190, 194–196, 202–208
See application file for complete search history.

(56) **References Cited**

U.S. PATENT DOCUMENTS

D496,481 S * 9/2004 Wiesmeth D26/49
D500,376 S * 12/2004 Cormier et al. D26/37
D504,737 S * 5/2005 Osiecki et al. D26/37

D537,181 S * 2/2007 Chen et al. D26/37
D562,480 S * 2/2008 Spartano et al. D26/46
D620,163 S * 7/2010 Kang et al. D26/49
D628,727 S * 12/2010 Risch et al. D26/49

* cited by examiner

Primary Examiner — Ian Simmons

Assistant Examiner — Carissa C Fitts

(74) *Attorney, Agent, or Firm* — Welsh Flaxman & Gitler LLC

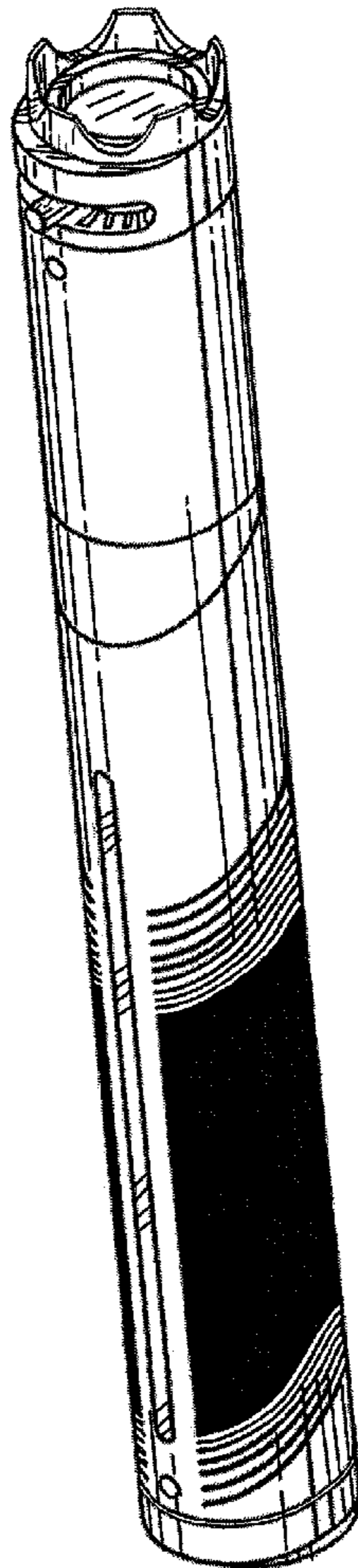
(57) **CLAIM**

The ornamental design for a LED flashlight, as shown and described.

DESCRIPTION

FIG. 1 is a perspective view of the LED flashlight; FIG. 2 is a front elevational view of the LED flashlight; FIG. 3 is a rear elevational view of the LED flashlight; FIG. 4 is a left plan view of the LED flashlight; FIG. 5 is a right plan view of the LED flashlight; FIG. 6 is a top plan view of the LED flashlight; and, FIG. 7 is a bottom plan view of the LED flashlight.

1 Claim, 7 Drawing Sheets



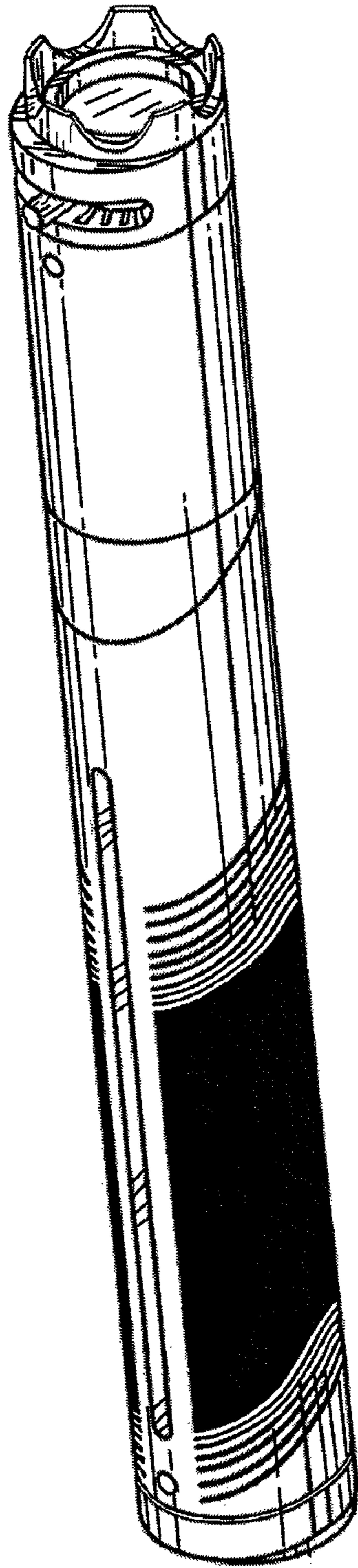


Fig. 1

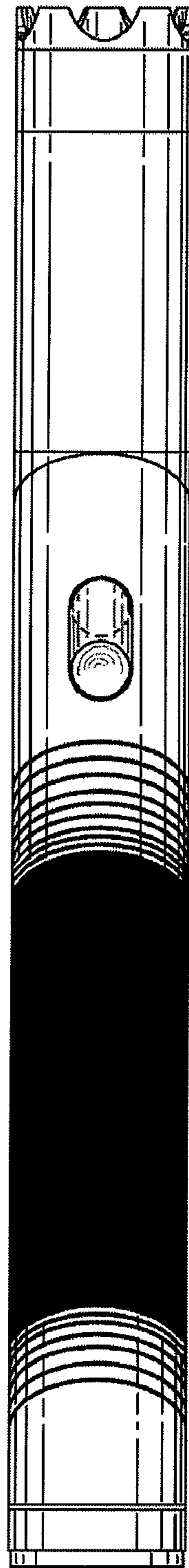


FIG. 2

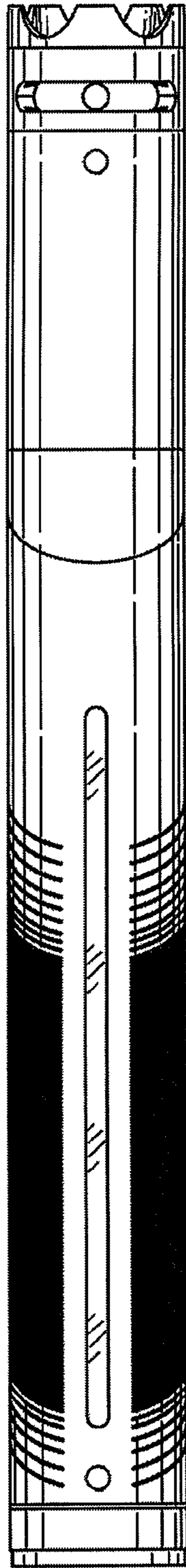


FIG. 3

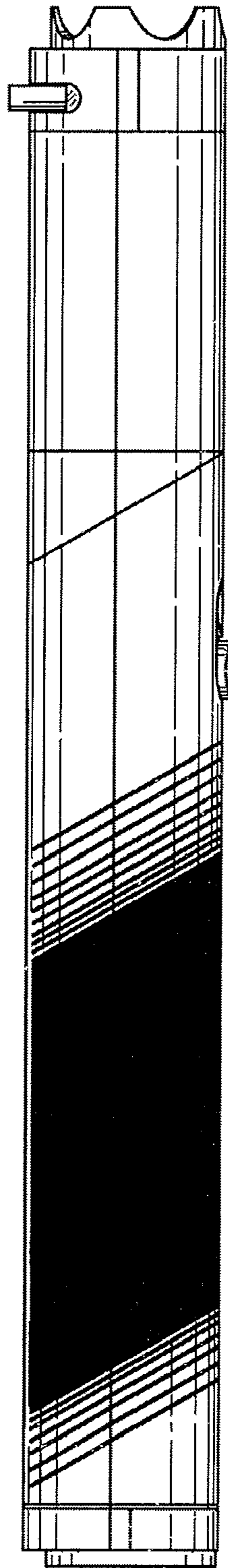


FIG. 4

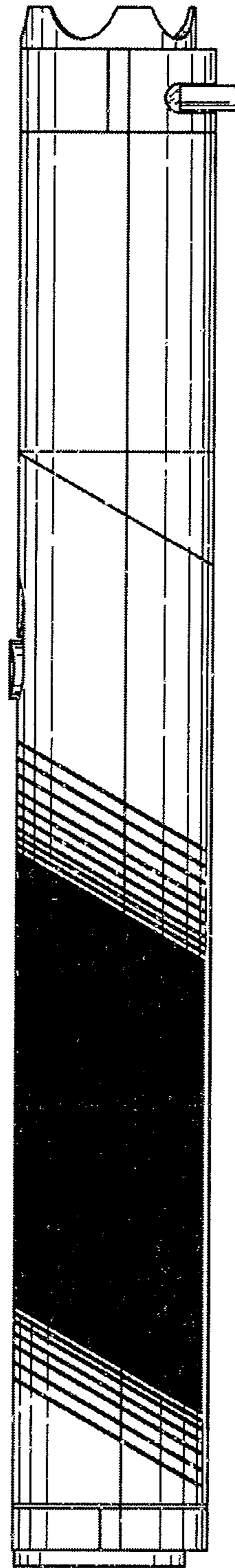


FIG. 5

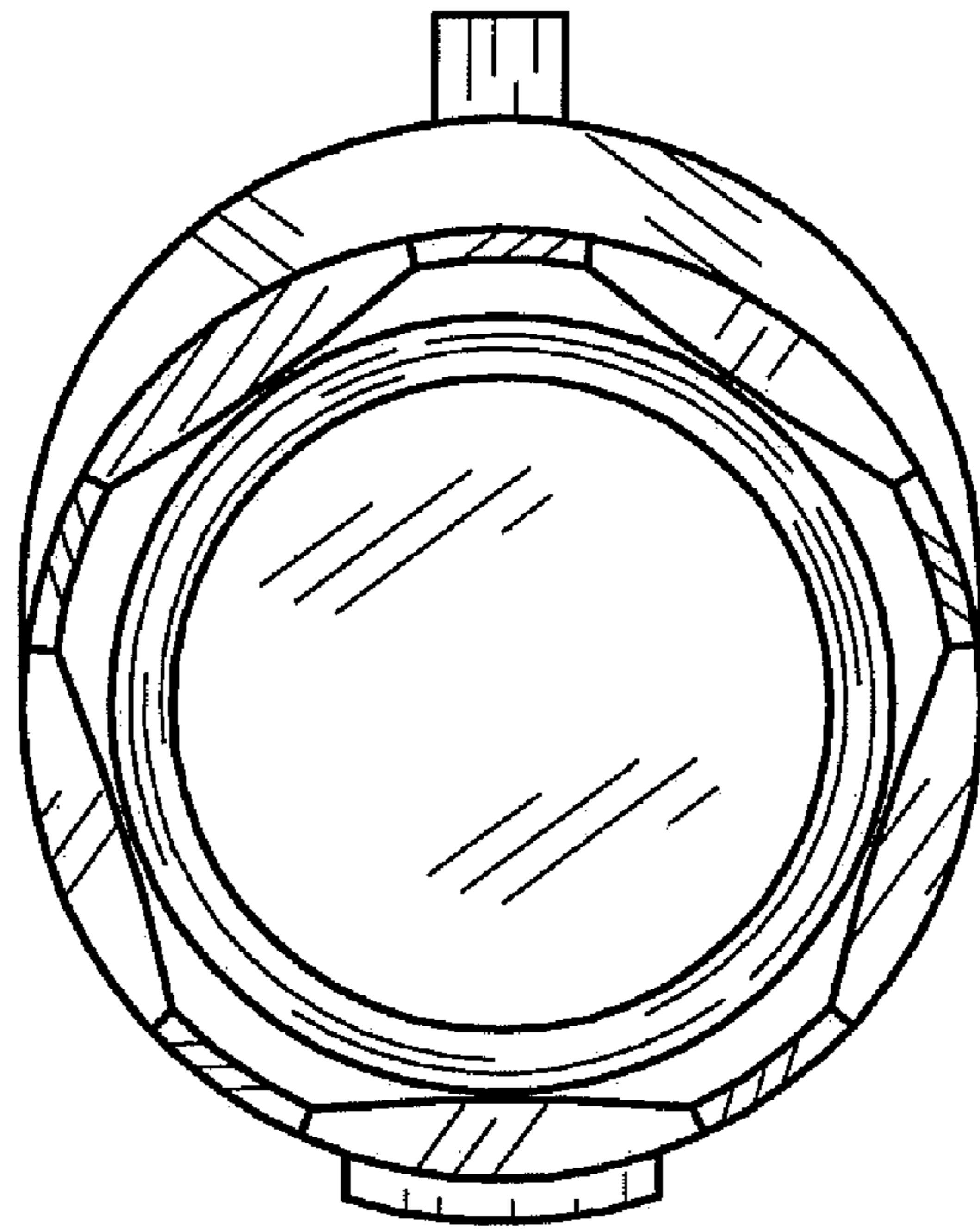


FIG. 6

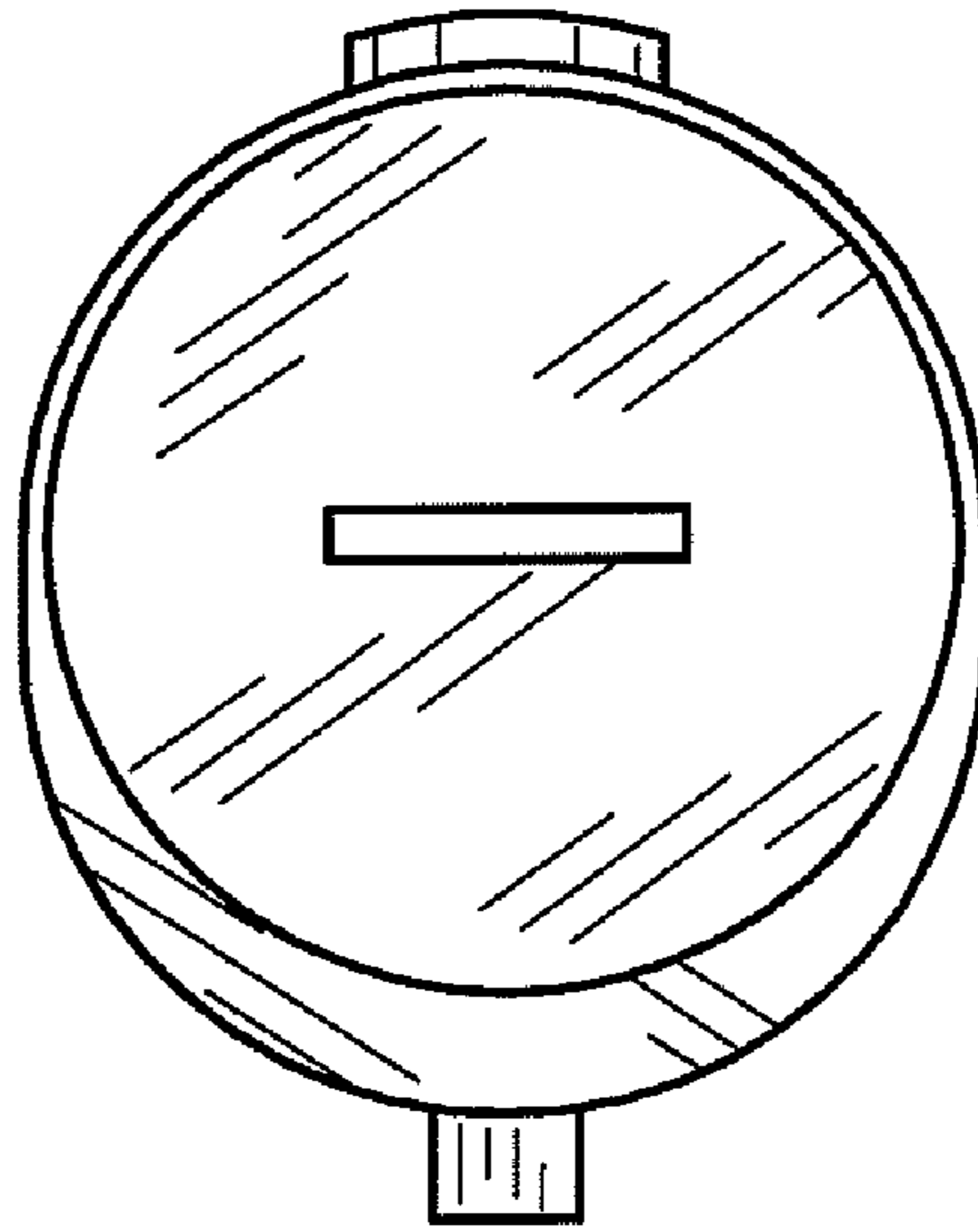


FIG. 7