

US00D666342S

(12) **United States Design Patent**
Wang et al.

(10) **Patent No.:** **US D666,342 S**

(45) **Date of Patent:** **** Aug. 28, 2012**

(54) **LUMINOUS STICK**

(76) Inventors: **Connie Wang**, Irvine, CA (US); **Wei Hung Yu**, Irvine, CA (US)

(**) Term: **14 Years**

(21) Appl. No.: **29/404,244**

(22) Filed: **Oct. 18, 2011**

(51) **LOC (9) Cl.** **26-02**

(52) **U.S. Cl.** **D26/38**

(58) **Field of Classification Search** D26/37,
D26/38, 39, 40, 43, 45, 46, 49, 51; 362/157,
362/158, 183, 185, 194-197, 200-208, 253;
D21/398, 402

See application file for complete search history.

(56) **References Cited**

U.S. PATENT DOCUMENTS

D211,392 S *	6/1968	Grebow	D26/38
D262,466 S *	12/1981	Lieberman et al.	D21/311
D403,093 S *	12/1998	Tseng	D26/38
D542,453 S *	5/2007	Osiecki et al.	D26/60
D553,274 S *	10/2007	Hill et al.	D26/37
D593,237 S *	5/2009	Chernick et al.	D26/37
D605,321 S *	12/2009	Schupp	D26/40

D612,523 S *	3/2010	Peng	D26/37
D622,431 S *	8/2010	Bayat et al.	D26/46
D653,784 S *	2/2012	Kelly et al.	D26/38
2002/0068505 A1 *	6/2002	Williams	446/485
2004/0161289 A1 *	8/2004	Silberman	401/195

* cited by examiner

Primary Examiner — Ian Simmons

Assistant Examiner — Carissa C Fitts

(74) *Attorney, Agent, or Firm* — Bacon & Thomas, PLLC

(57) **CLAIM**

The ornamental design for a luminous stick, as shown and described.

DESCRIPTION

FIG. 1 is a perspective view of a luminous stick showing my design;

FIG. 2 is a front elevational view thereof;

FIG. 3 is a rear elevational view thereof;

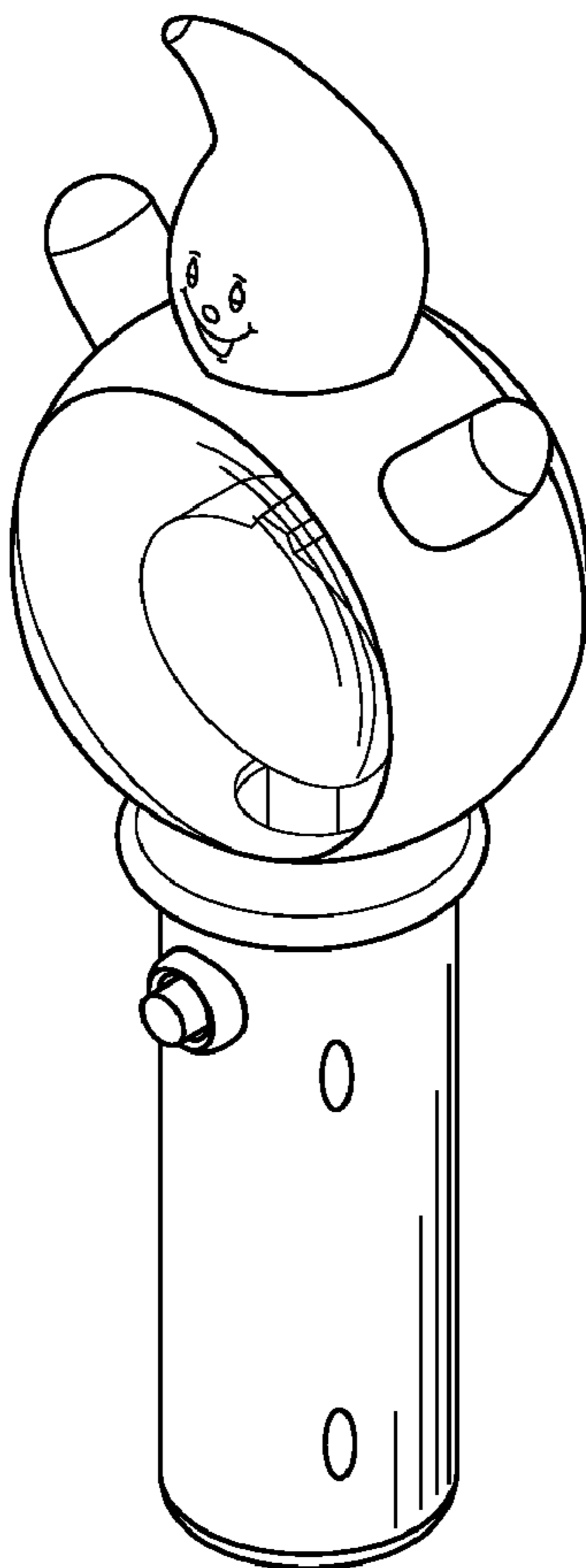
FIG. 4 is a left side elevational view thereof;

FIG. 5 is a right side elevational view thereof;

FIG. 6 is a top plan view thereof; and,

FIG. 7 is a bottom plan view thereof.

1 Claim, 4 Drawing Sheets



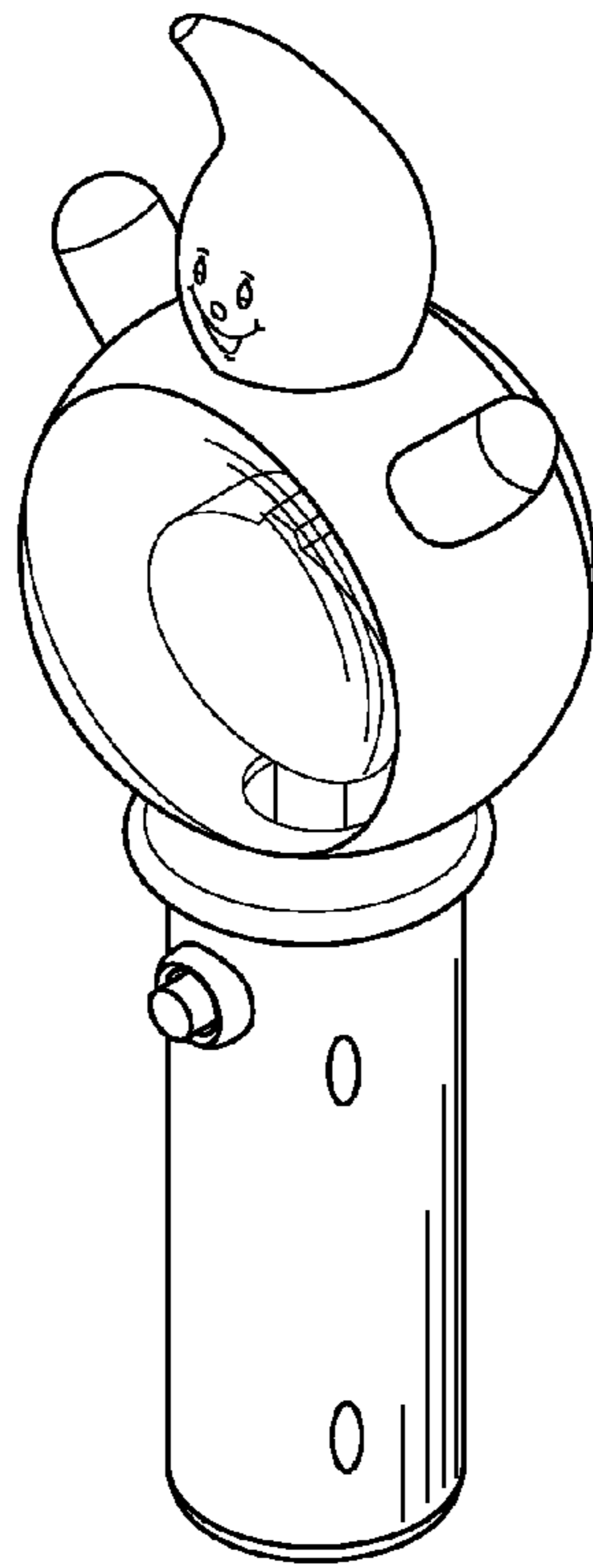


FIG. 1

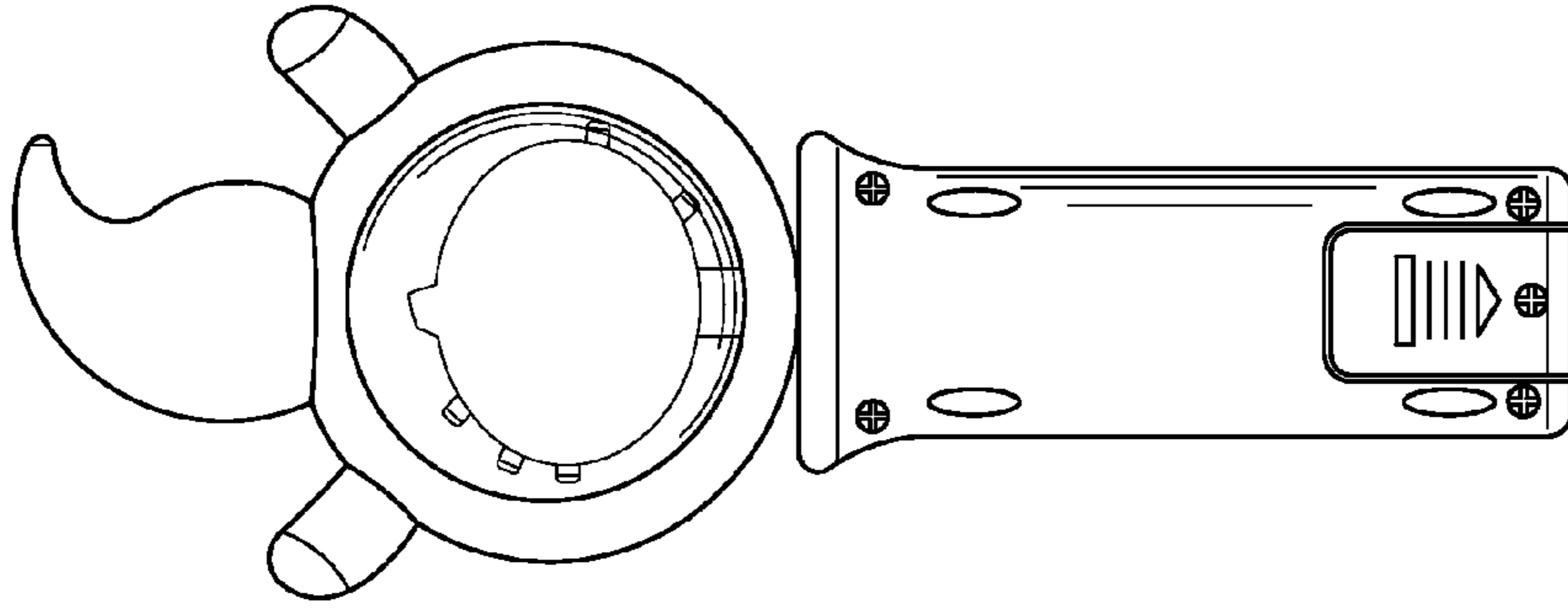


FIG. 3

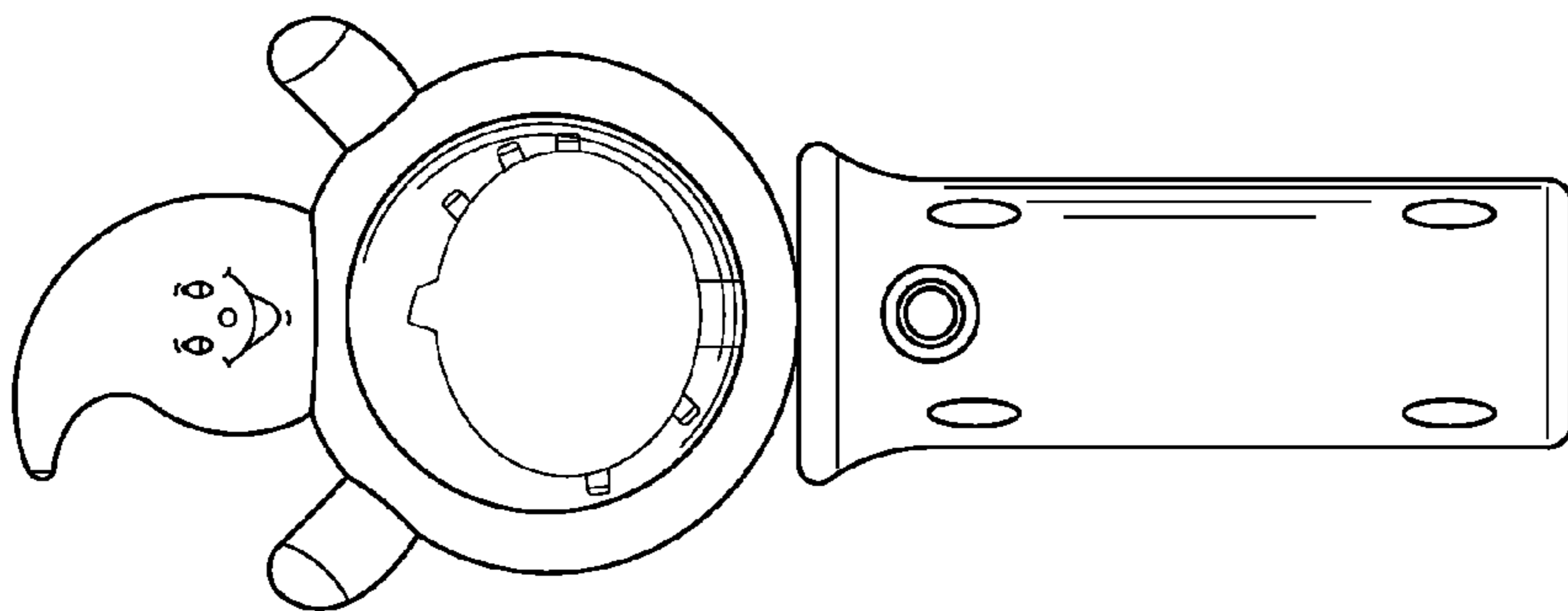


FIG. 2

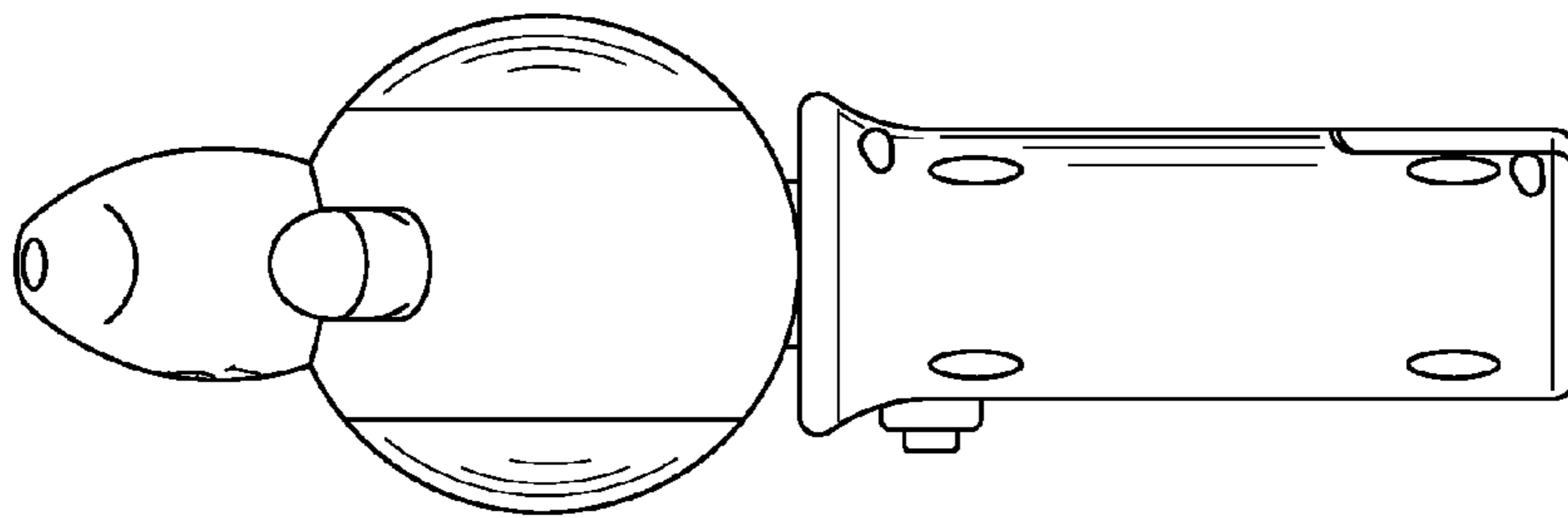


FIG. 5

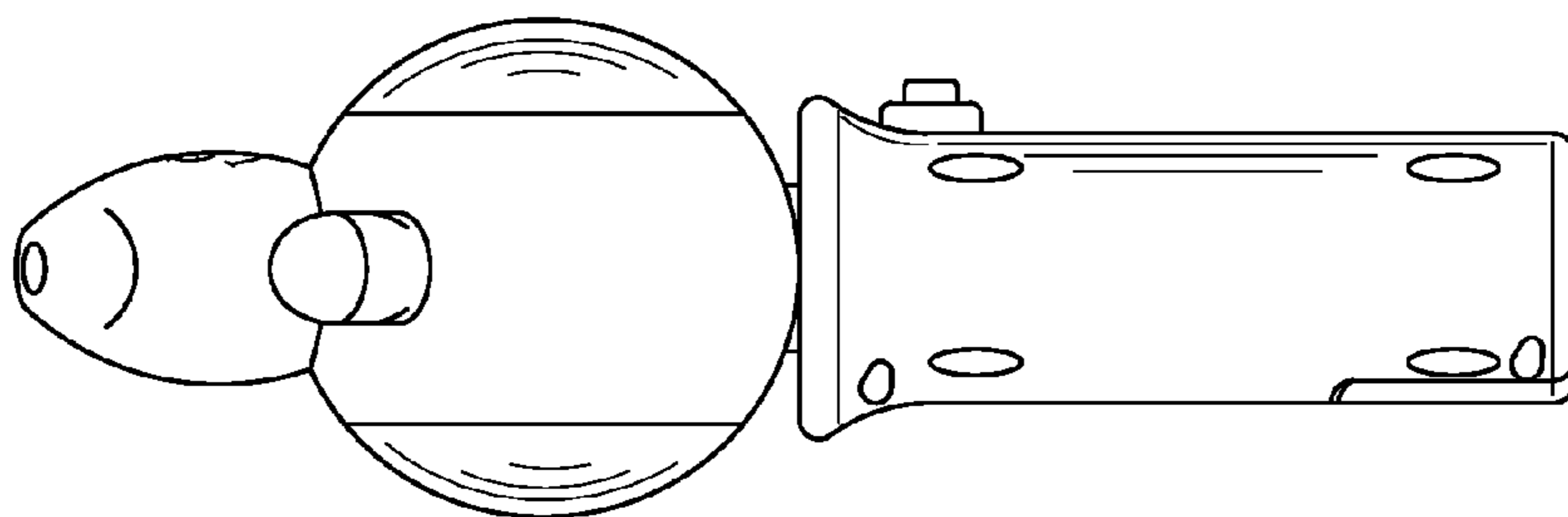


FIG. 4

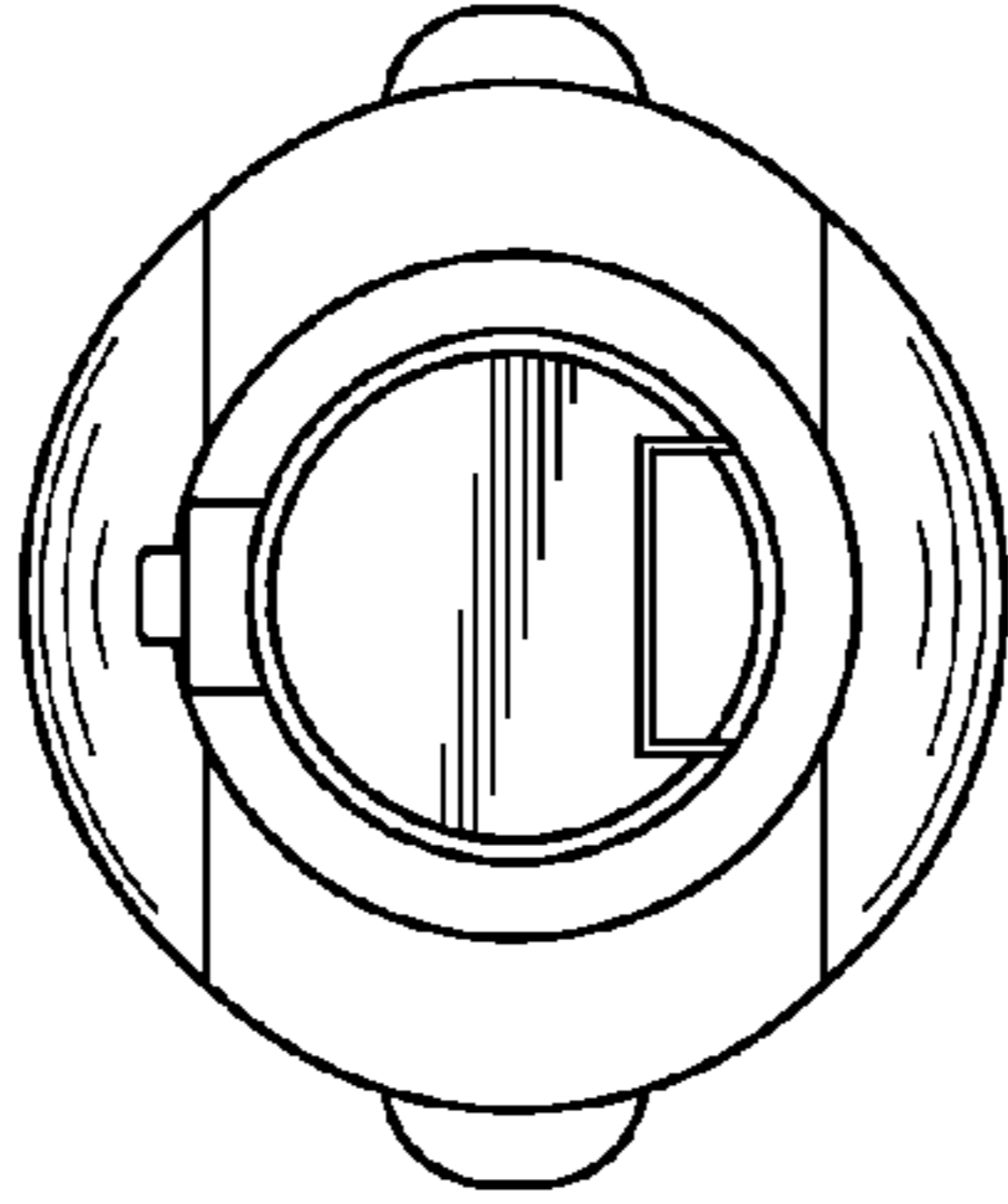


FIG. 7

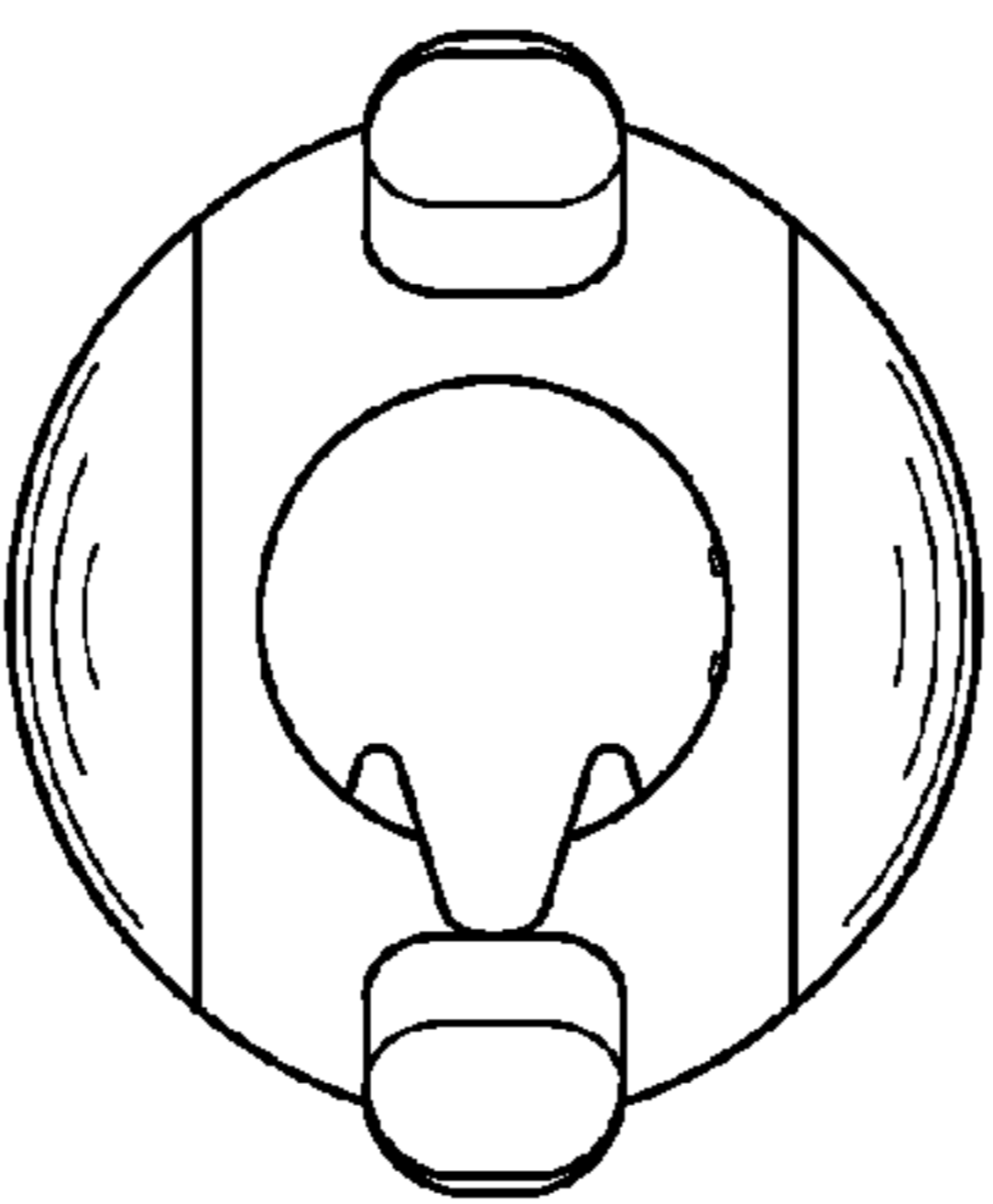


FIG. 6