

US00D666341S

(12) **United States Design Patent**
Herbin et al.

(10) **Patent No.:** **US D666,341 S**

(45) **Date of Patent:** **** Aug. 28, 2012**

(54) **VEHICLE LAMP**

(75) Inventors: **Cyril Herbin**, Potelle (FR); **Christophe Valois**, Hasnon (FR)

(73) Assignee: **Valeo Vision**, Bobigny (FR)

(**) Term: **14 Years**

(21) Appl. No.: **29/346,761**

(22) Filed: **Nov. 5, 2009**

(30) **Foreign Application Priority Data**

May 5, 2009 (WO) DM/071 805

(51) **LOC (9) Cl.** **26-06**

(52) **U.S. Cl.** **D26/28**

(58) **Field of Classification Search** D26/28-36;
362/459-468, 475-487

See application file for complete search history.

(56) **References Cited**

U.S. PATENT DOCUMENTS

D528,231 S *	9/2006	Ikeda	D26/28
D528,686 S *	9/2006	Kato	D26/28
D529,208 S *	9/2006	Ikeda	D26/28
D535,409 S *	1/2007	Yamaguchi	D26/28

D549,857 S *	8/2007	Lin	D26/28
D550,381 S *	9/2007	Lin	D26/28
D573,282 S *	7/2008	Hsu	D26/28

* cited by examiner

Primary Examiner — Marcus Jackson

(74) *Attorney, Agent, or Firm* — Jacox, Meckstroth & Jenkins

(57) **CLAIM**

The ornamental design for a vehicle lamp, as shown and described in FIGS. 1-7, with the phantom or functional features of the design, such as the flanges or hidden portions, forming no part of the design.

DESCRIPTION

FIG. 1 is a view of another embodiment showing an assembled lamp assembly;

FIG. 2 is a front view of the lamp assembly shown in FIG. 1;

FIG. 3 is a rear view of the housing shown in FIG. 1;

FIG. 4 is a right side view of the assembled lamp assembly shown in FIG. 1;

FIG. 5 is a left side view of the assembled lamp assembly shown in FIG. 1;

FIG. 6 is a top view of the assembled lamp assembly shown in FIG. 1; and,

FIG. 7 is a bottom view of the assembled lamp assembly shown in FIG. 1.

1 Claim, 7 Drawing Sheets

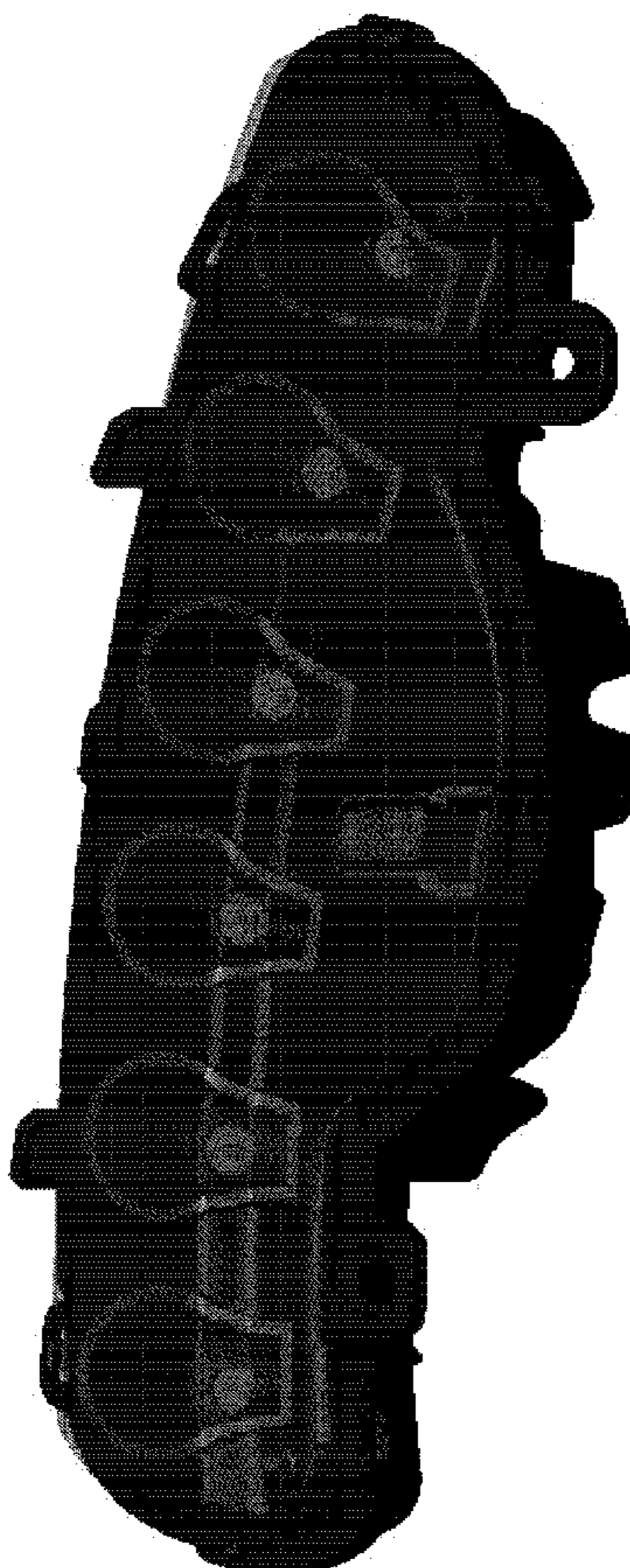


FIG. 1

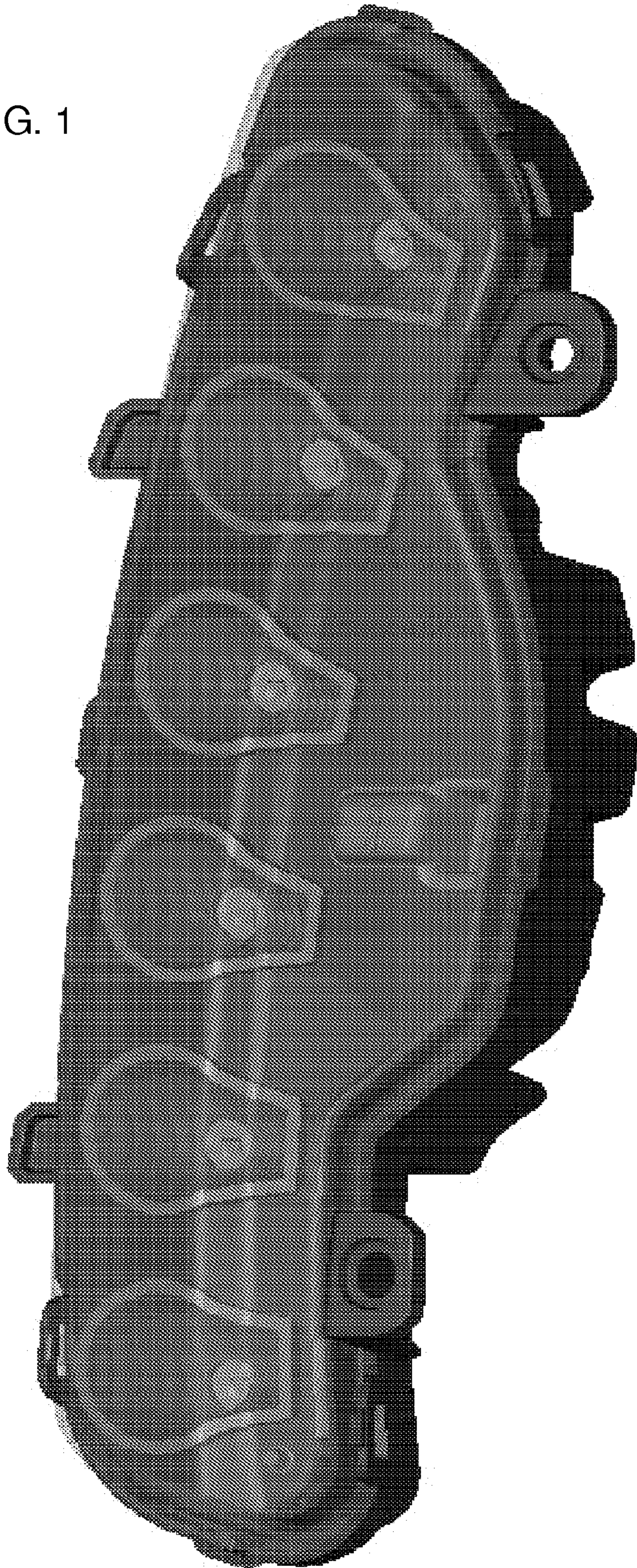
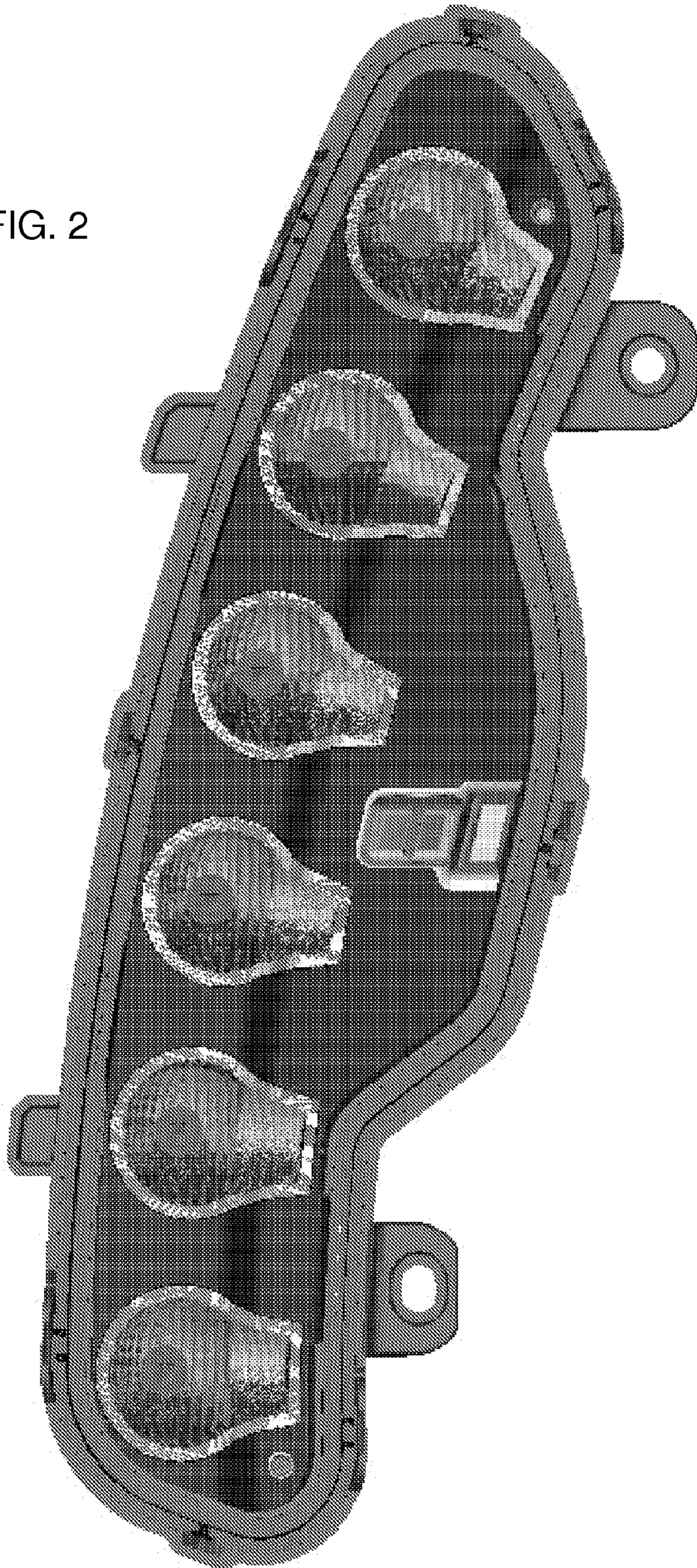


FIG. 2



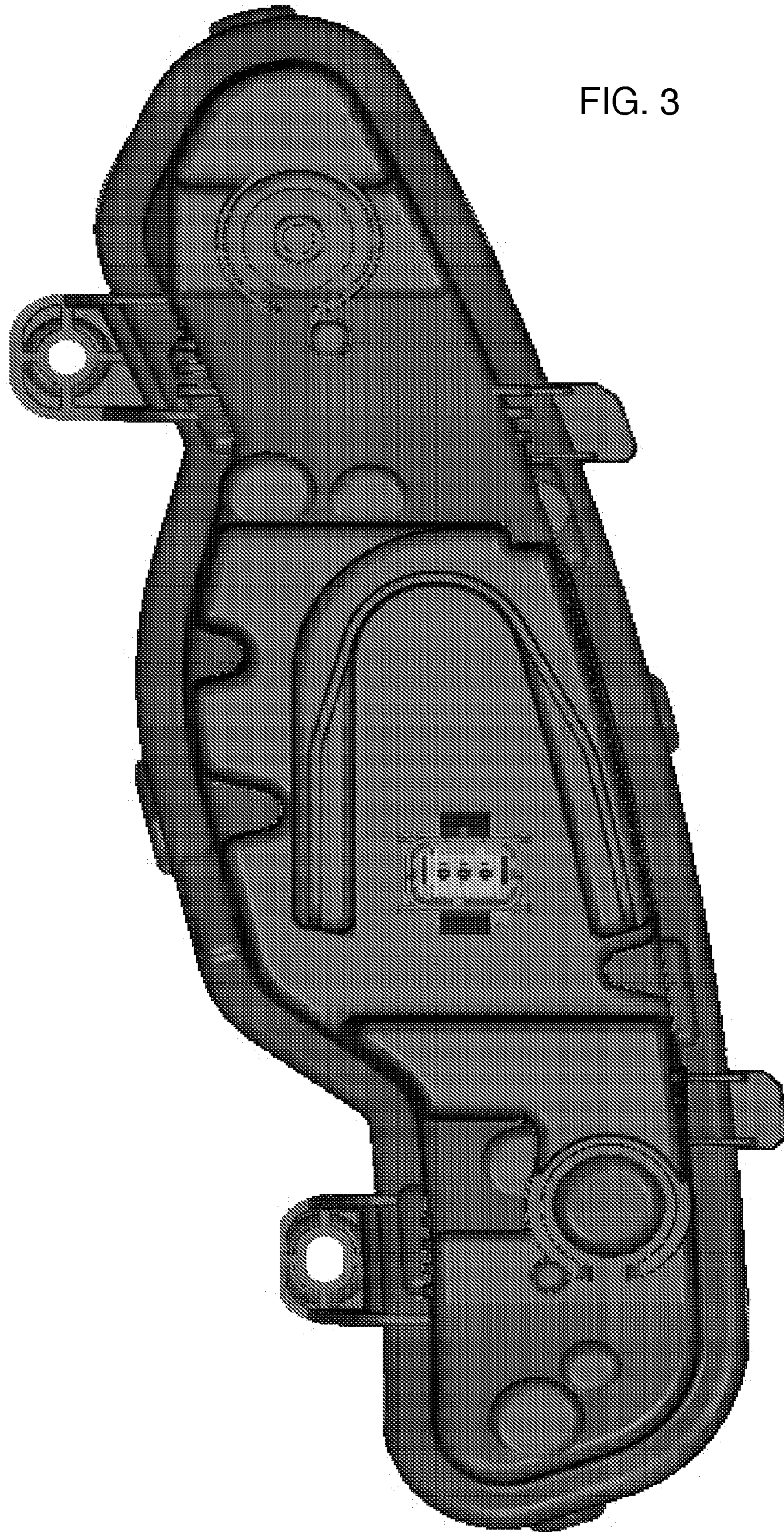
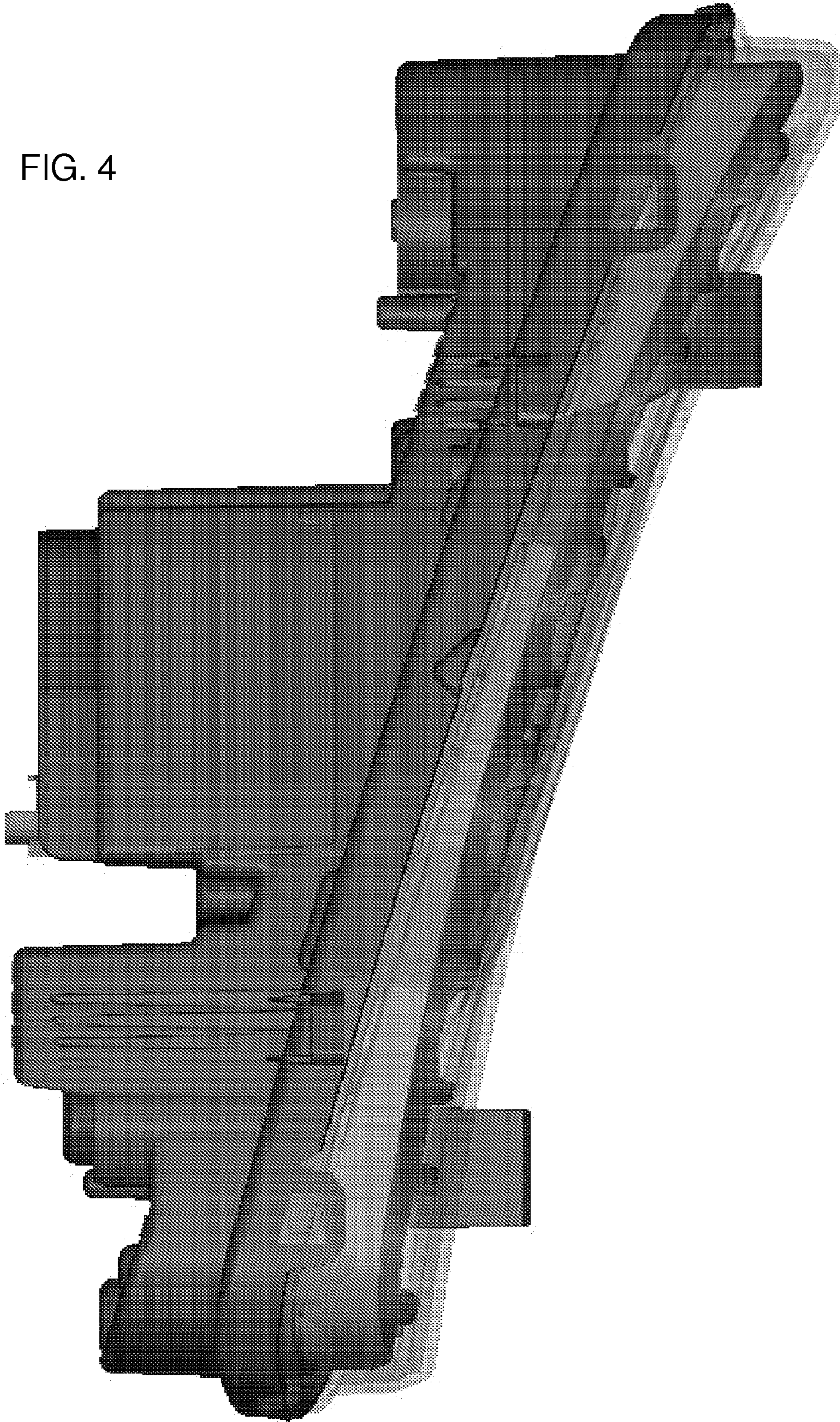


FIG. 3

FIG. 4



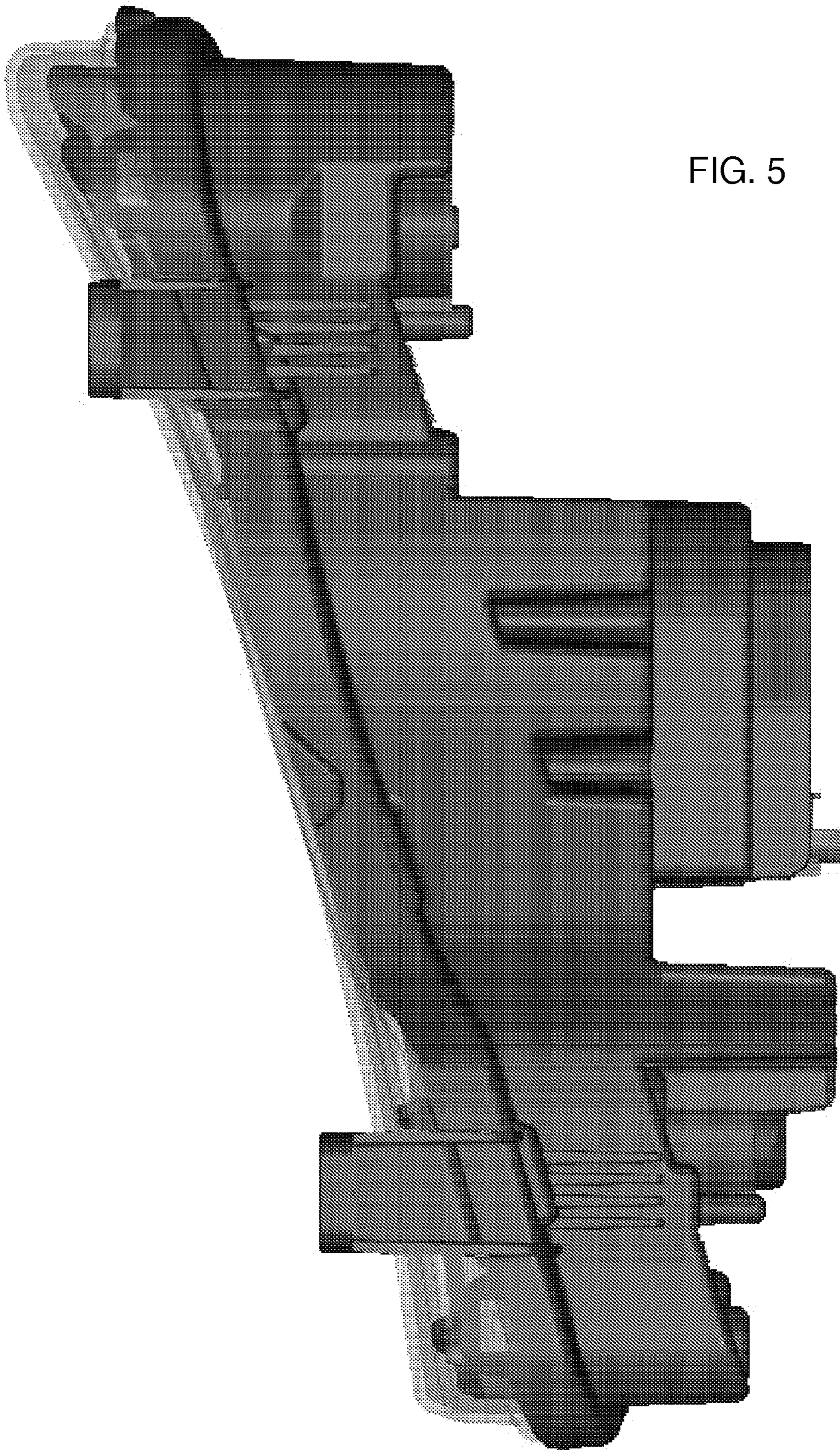


FIG. 5

FIG. 6

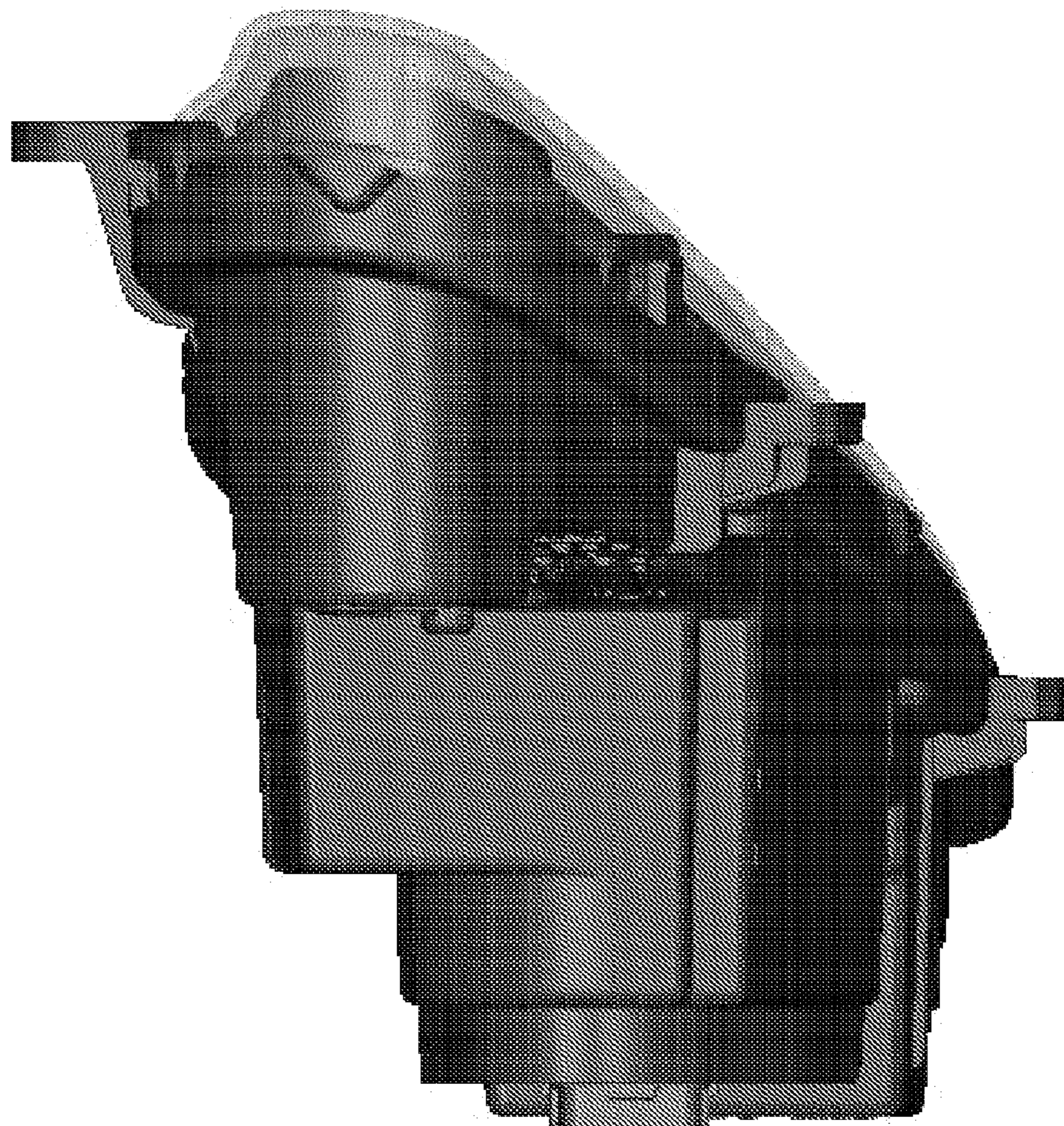


FIG. 7

