

US00D666340S

(12) **United States Design Patent**
Sakamoto et al.

(10) **Patent No.:** **US D666,340 S**
(45) **Date of Patent:** **** Aug. 28, 2012**

- (54) **LED LIGHT BULB**
- (75) Inventors: **Mitsuhide Sakamoto**, Aichi (JP);
Toshiaki Yagi, Aichi (JP); **Junichi Ando**, Aichi (JP)
- (73) Assignee: **S. K. G. Co., Ltd.**, Aichi (JP)
- (**) Term: **14 Years**

- (21) Appl. No.: **29/418,537**
- (22) Filed: **Apr. 18, 2012**

Related U.S. Application Data

- (62) Division of application No. 29/347,972, filed on Aug. 20, 2010, now Pat. No. Des. 662,231.

(30) **Foreign Application Priority Data**

Apr. 23, 2010 (JP) 2010-010265

- (51) **LOC (9) Cl.** **26-04**
- (52) **U.S. Cl.** **D26/2**
- (58) **Field of Classification Search** D26/1-4;
313/313, 315, 316, 317, 318, 493; 315/52,
315/53, 56, 57, 58
See application file for complete search history.

(56) **References Cited**

U.S. PATENT DOCUMENTS

D289,798 S	5/1987	Joosten
4,777,405 A	10/1988	Hermes et al.
4,792,726 A	12/1988	Gandhi
D304,030 S	10/1989	Vakil
D346,456 S	4/1994	Matsumura et al.
D347,076 S	5/1994	DeKleine et al.
D347,077 S	5/1994	DeKleine et al.
5,309,062 A	5/1994	Perkins et al.
5,546,291 A	8/1996	Simes

5,575,459 A	11/1996	Anderson	
D383,224 S	9/1997	Sangen et al.	
D417,296 S	11/1999	Kato et al.	
7,014,337 B2	3/2006	Chen	
D574,091 S	7/2008	Sun	
7,434,964 B1	10/2008	Zheng et al.	
7,492,103 B2	2/2009	Hwang	
7,513,653 B1	4/2009	Liu et al.	
7,585,090 B2	9/2009	Wu	
7,637,636 B2	12/2009	Zheng et al.	
D625,439 S *	10/2010	Lai et al.	D26/2
D629,537 S	12/2010	Hsu et al.	
D630,348 S	1/2011	Duan et al.	
D631,567 S *	1/2011	Lodhie	D26/2
D641,895 S	7/2011	Huang	
D646,808 S *	10/2011	Shi	D26/2
D647,646 S *	10/2011	Tsung	D26/2
8,072,123 B1	12/2011	Han	
8,092,045 B2	1/2012	Xiao et al.	
2004/0114367 A1	6/2004	Li	
2007/0159828 A1	7/2007	Wang	
2008/0013318 A1	1/2008	Sun et al.	
2008/0316755 A1	12/2008	Zheng et al.	
2011/0156584 A1	6/2011	Kim	

* cited by examiner

Primary Examiner — Marcus Jackson

(74) *Attorney, Agent, or Firm* — Rabin & Berdo, P.C.

(57) **CLAIM**

The ornamental design for an LED light bulb, as shown and described.

DESCRIPTION

FIG. 1 is a perspective view of the LED light bulb;
 FIG. 2 is a front view thereof;
 FIG. 3 is a rear view thereof;
 FIG. 4 is a plan view thereof;
 FIG. 5 is a bottom plan view thereof;
 FIG. 6 is a right side view thereof; and,
 FIG. 7 is a left side view thereof.

1 Claim, 3 Drawing Sheets

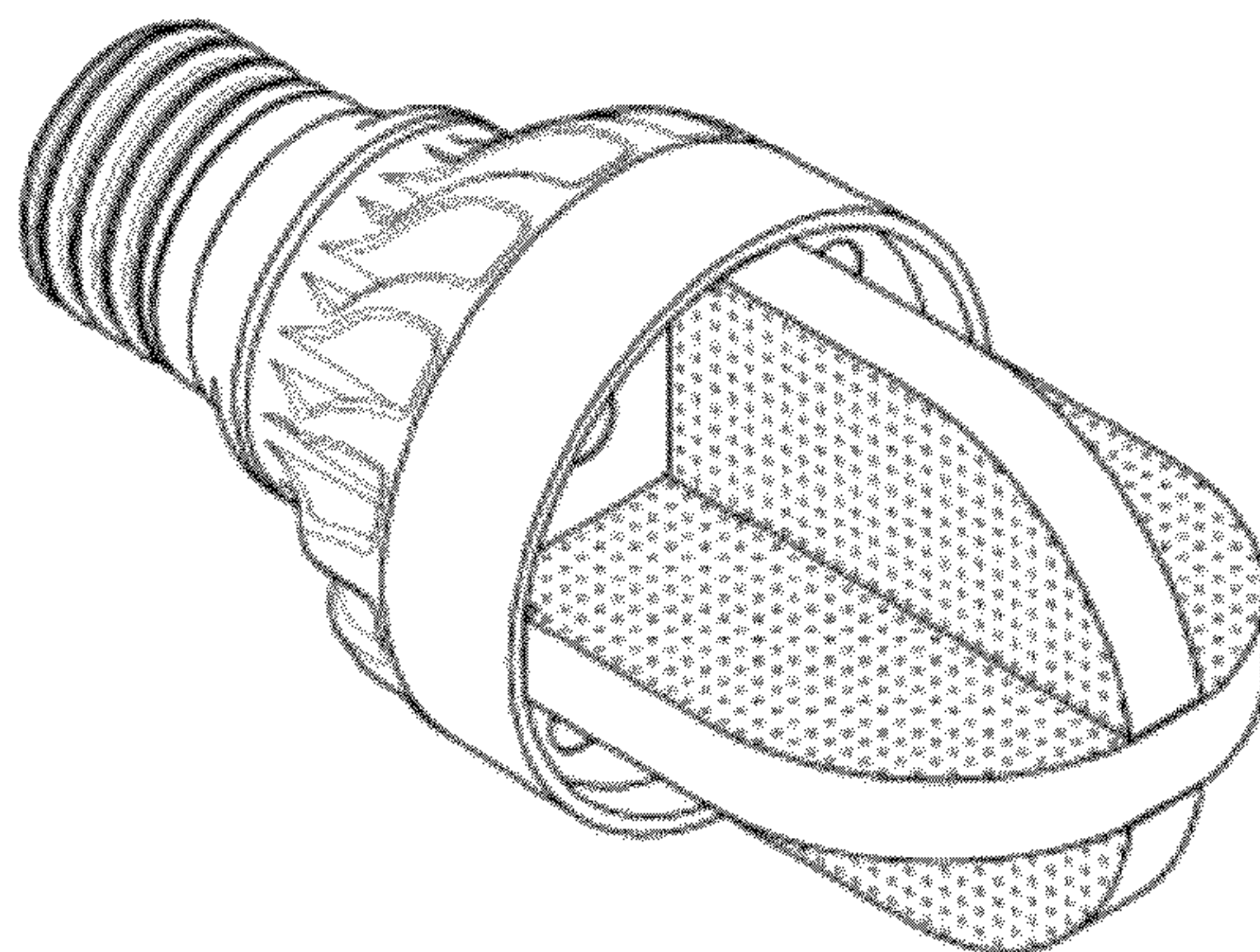


FIGURE 1

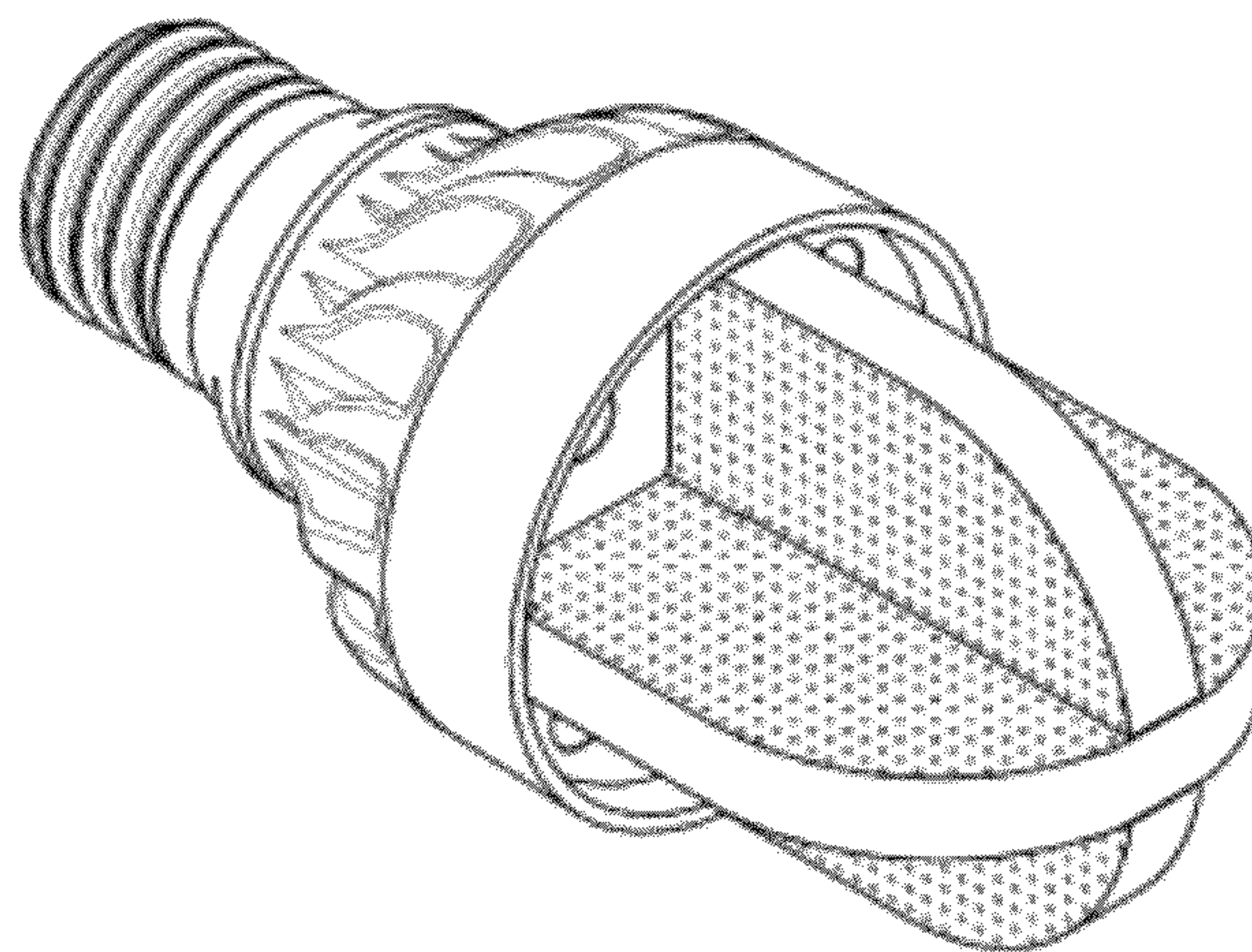


FIGURE 2

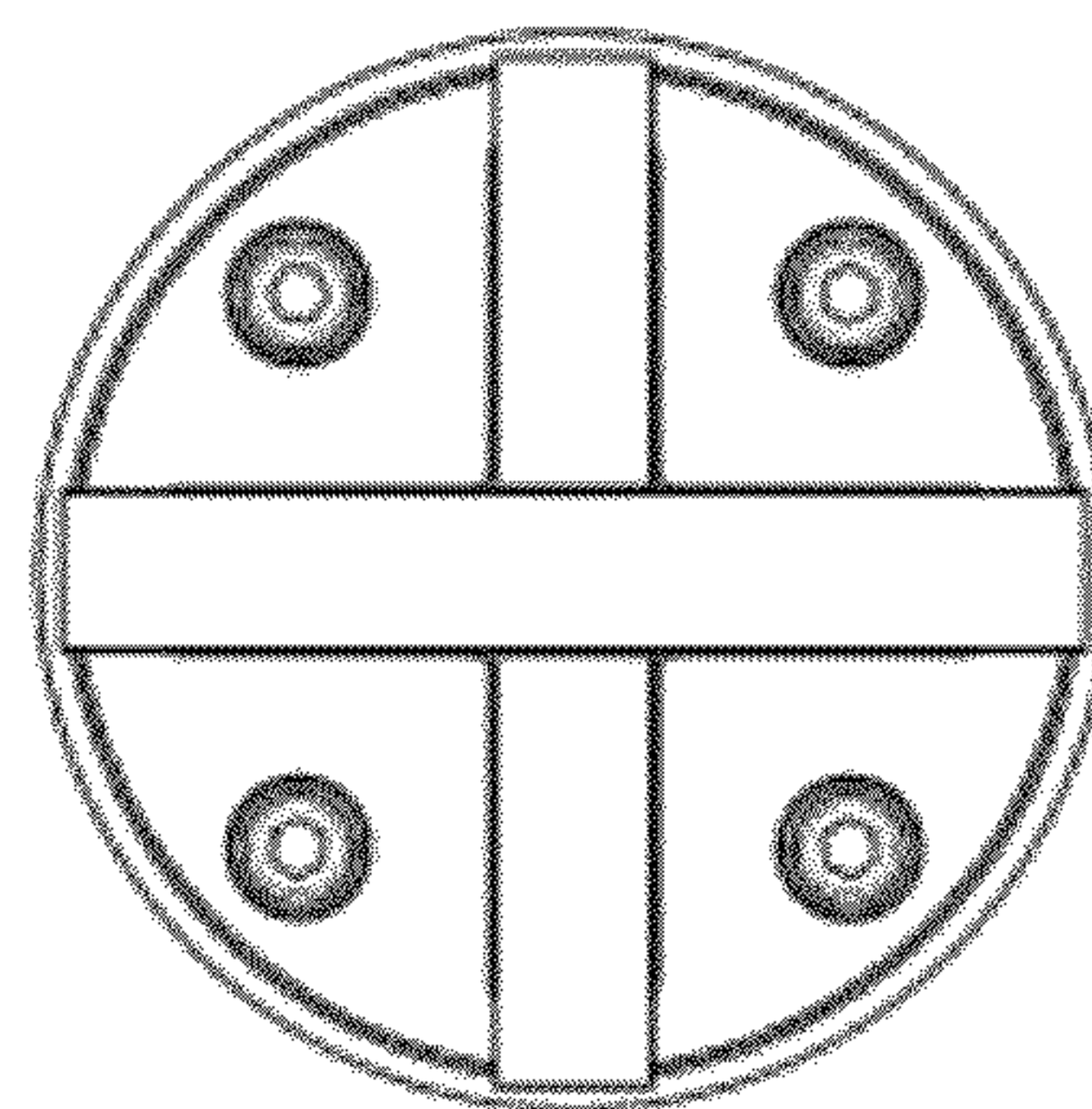


FIGURE 3

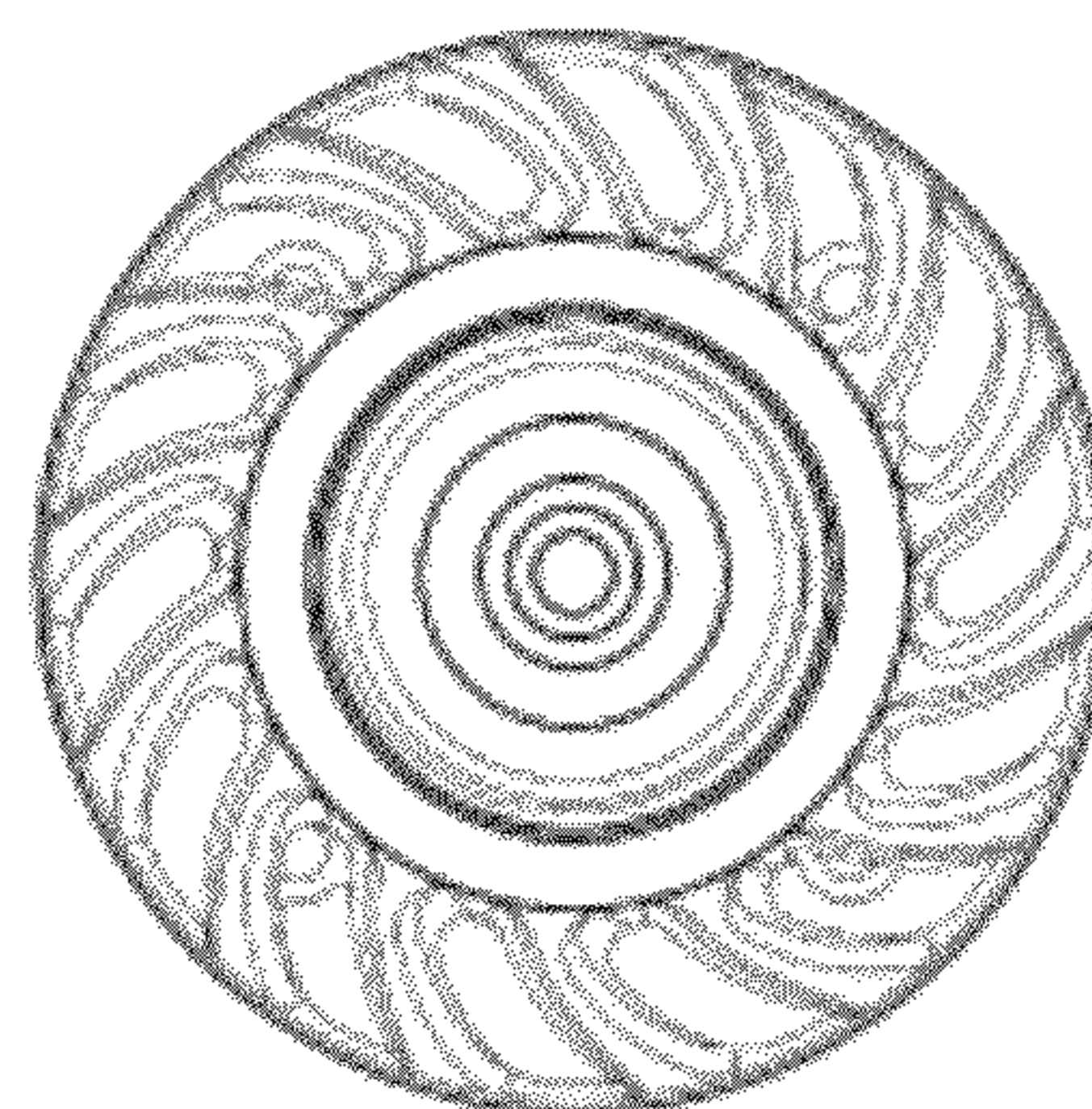


FIGURE 4

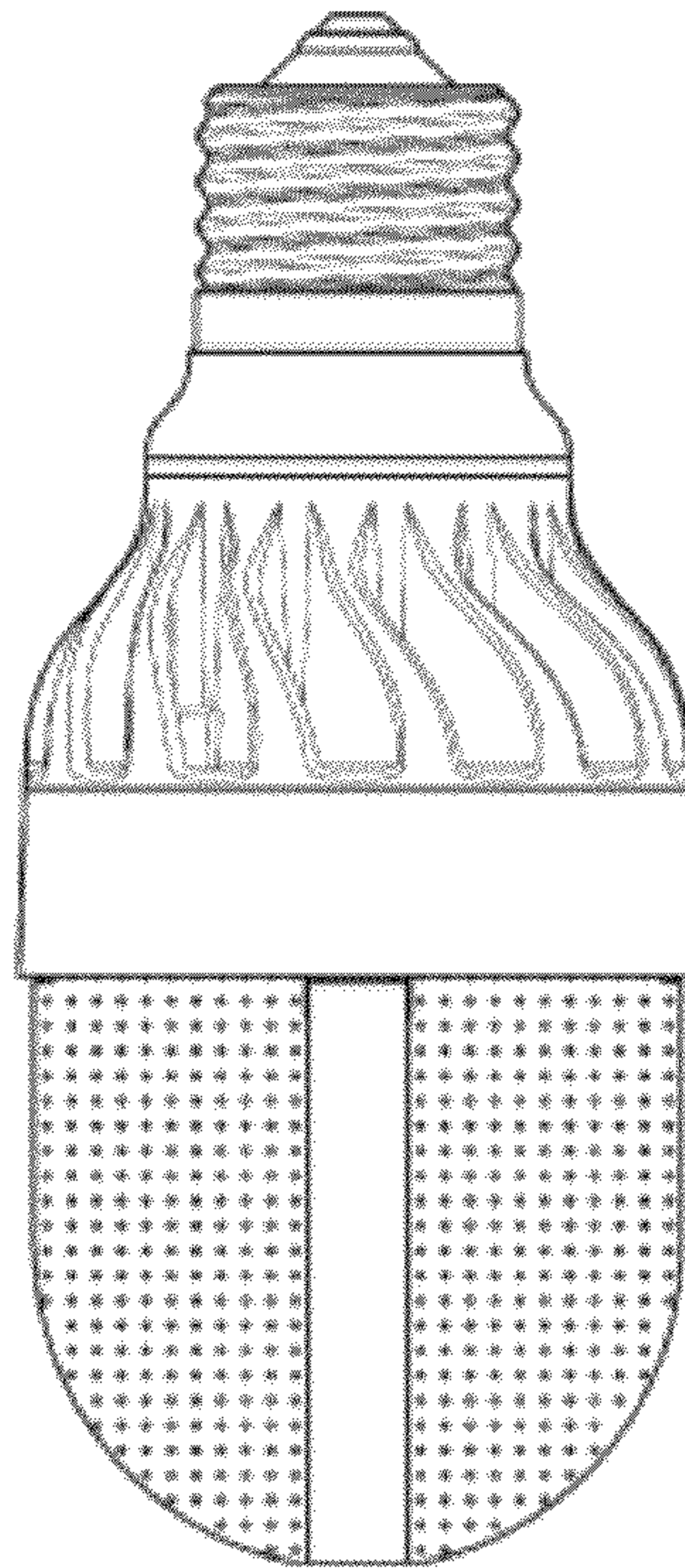


FIGURE 5

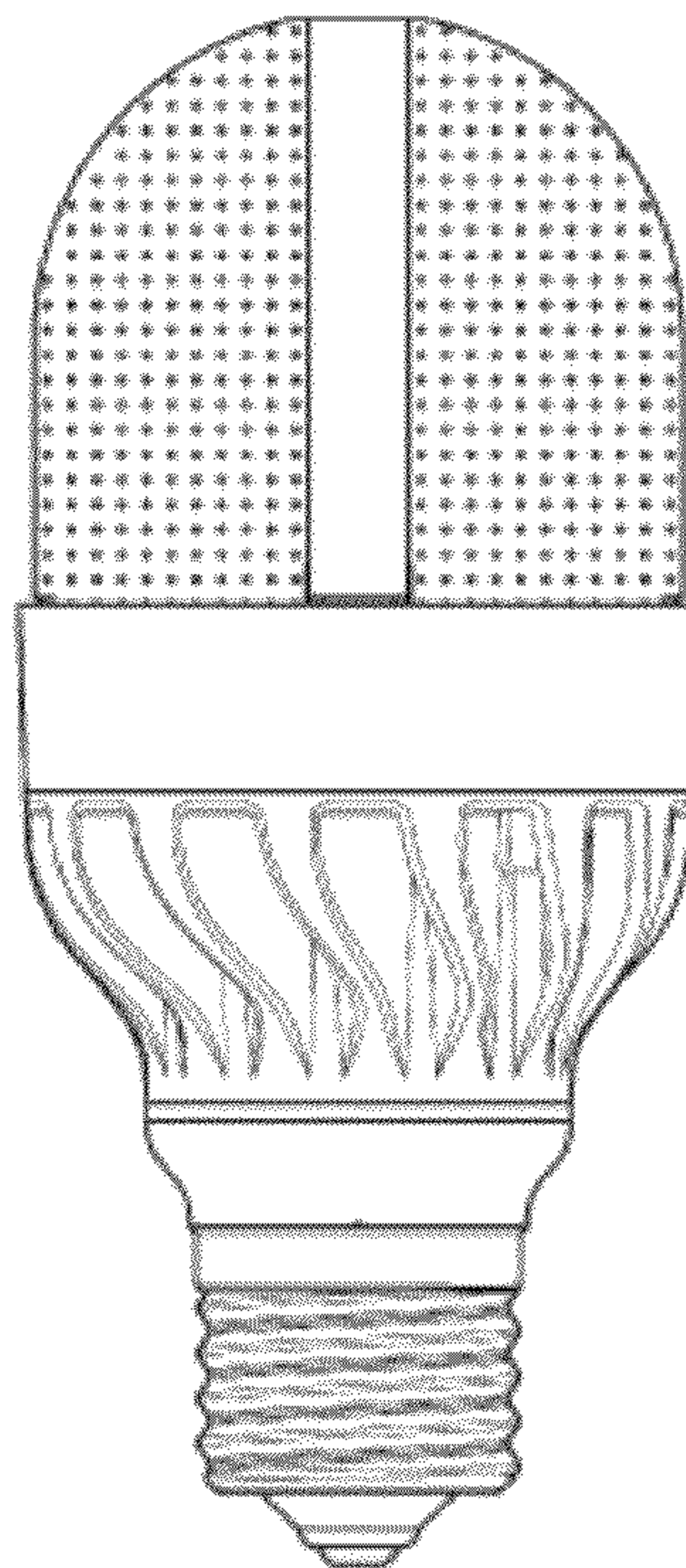


FIGURE 6

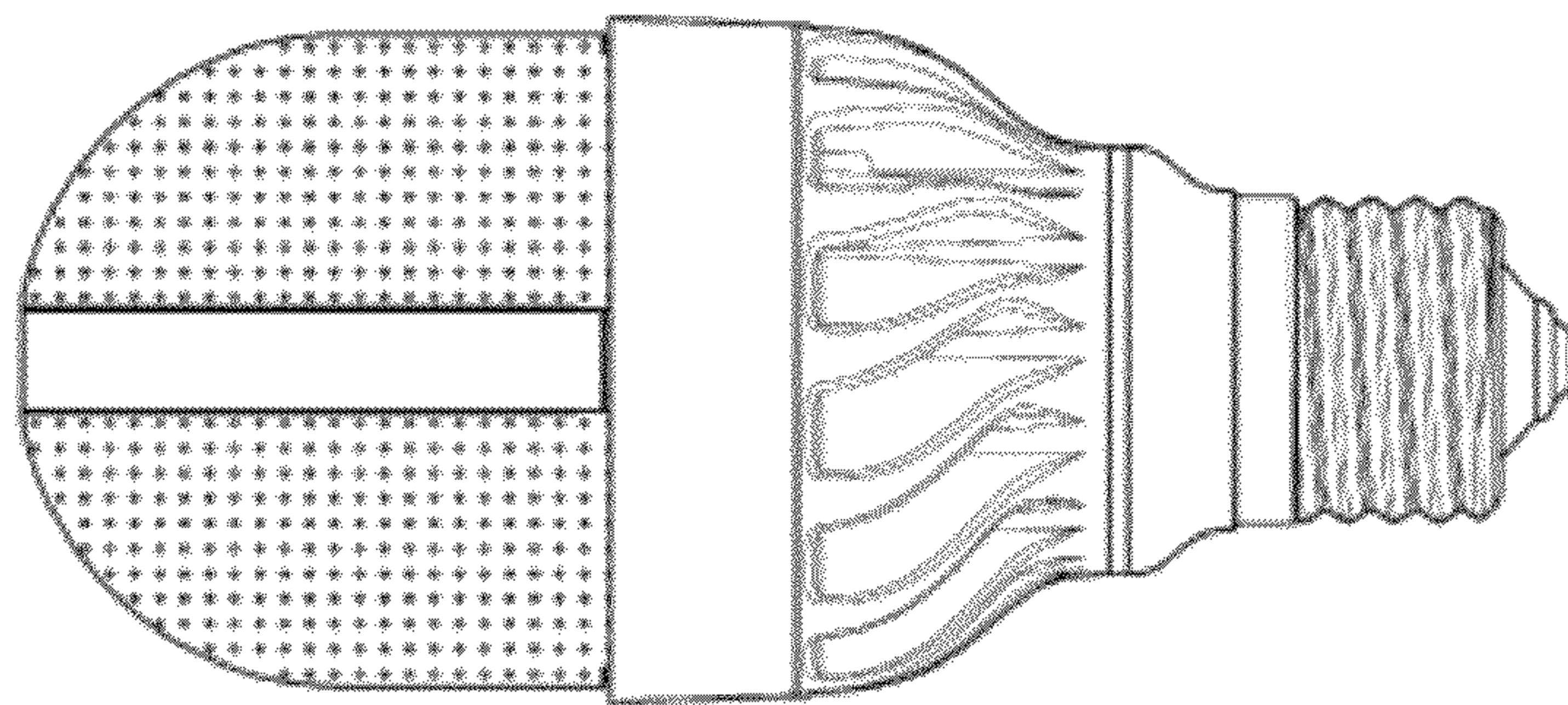


FIGURE 7

