



US00D666339S

(12) **United States Design Patent**
Le et al.

(10) **Patent No.:** **US D666,339 S**
(45) **Date of Patent:** **** Aug. 28, 2012**

(54) **LED LAMP**

(75) Inventors: **Long Larry Le**, Morrisville, NC (US);
James Michael Lay, Cary, NC (US);
Randolph Cary Demuynck, Wake
Forest, NC (US)

2004/0159846 A1 8/2004 Doxsee
2005/0174780 A1 8/2005 Park
2005/0242711 A1 11/2005 Bloomfield
2007/0139938 A1 6/2007 Petroski
2007/0206375 A1 9/2007 Lys
(Continued)

(73) Assignee: **Cree, Inc.**, Durham, NC (US)

(**) Term: **14 Years**

(21) Appl. No.: **29/409,378**

(22) Filed: **Dec. 22, 2011**

Related U.S. Application Data

(62) Division of application No. 29/381,405, filed on Dec. 19, 2010, now Pat. No. Des. 653,366.

(51) **LOC (9) Cl.** **26-04**

(52) **U.S. Cl.** **D26/2**

(58) **Field of Classification Search** D26/1-4;
313/313, 315, 316, 317, 318, 493; 315/52,
315/53, 56, 57, 58

See application file for complete search history.

(56) **References Cited**

U.S. PATENT DOCUMENTS

6,350,041	B1	2/2002	Tarsa	
7,213,940	B1	5/2007	Van De Ven	
D546,980	S	7/2007	Lo	
D553,267	S	10/2007	Yuen	
7,614,759	B2	11/2009	Negley	
7,618,157	B1	11/2009	Galvez	
7,663,315	B1	2/2010	Hulse	
7,686,478	B1	3/2010	Hulse	
D629,928	S	12/2010	Chen	
D653,365	S *	1/2012	Yuan et al.	D26/2
D653,366	S *	1/2012	Le et al.	D26/2
D654,193	S *	2/2012	Tong et al.	D26/2
2002/0047516	A1	4/2002	Iwasa	
2003/0021113	A1	1/2003	Begemann	
2003/0038291	A1	2/2003	Cao	

FOREIGN PATENT DOCUMENTS

CN 101338887 A 1/2009
(Continued)

OTHER PUBLICATIONS

International Search Report and Written Opinion for PCT Application No. PCT/US2010/003146 mailed Jun. 7, 2011.

(Continued)

Primary Examiner — Marcus Jackson

(74) *Attorney, Agent, or Firm* — Koppel, Patrick, Heybl & Philpott

(57) **CLAIM**

The ornamental design for an LED lamp, as shown and described herein.

DESCRIPTION

FIG. 1 is a perspective view of one embodiment of an LED lamp according to another embodiment of the present invention.

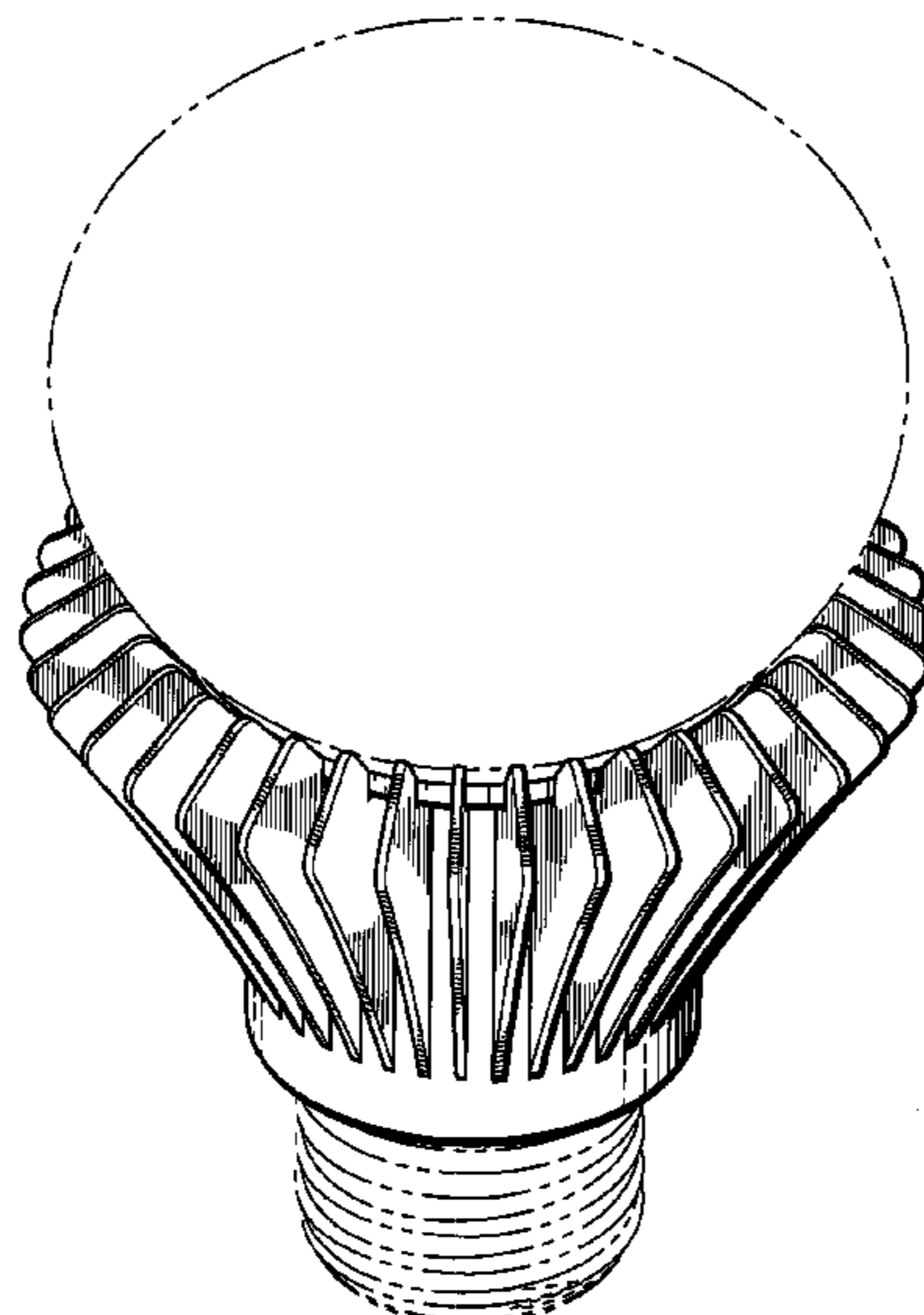
FIG. 2 is a front elevation view of the LED lamp shown in FIG. 1, with the rear and side views being substantially identical in ornamental appearance.

FIG. 3 is a top plan view of the LED lamp shown in FIG. 1; and,

FIG. 4 is a bottom plan view of the LED lamp shown in FIG. 1.

The broken lines shown in FIGS. 1-4 depict environmental subject matter only and form no part of the claimed design.

1 Claim, 3 Drawing Sheets



U.S. PATENT DOCUMENTS

2007/0223219	A1	9/2007	Medendorp
2007/0263405	A1	11/2007	Ng
2007/0297183	A1	12/2007	Coushaine
2008/0080165	A1	4/2008	Kim
2008/0128735	A1	6/2008	Yoo
2009/0059559	A1	3/2009	Pabst
2009/0101930	A1	4/2009	Li
2009/0103293	A1	4/2009	Harbers
2009/0103296	A1	4/2009	Harbers
2009/0316383	A1	12/2009	Son
2009/0322197	A1	12/2009	Helbing
2010/0025700	A1	2/2010	Jung
2010/0155763	A1	6/2010	Donofrio
2010/0201284	A1	8/2010	Kraus

FOREIGN PATENT DOCUMENTS

DE	102006061164		6/2008
DE	10 2007 037862	A1	10/2008
EP	0876085	A2	11/1998
GB	2366610	A	3/2002
JP	11213730	A	6/1999
JP	2005-093097	A	4/2005
JP	2005-286267	A	10/2005
JP	2005021635		11/2005
JP	200640850	A	9/2006
JP	2009-016058	A	1/2009
JP	2009016058	A	1/2009
KR	100980588	B1	9/2010
TW	D134005		3/2010
TW	D141681		7/2011
WO	WO 2000/017569	A1	3/2000
WO	WO 2001/040702	A1	6/2001
WO	WO 2004100213	A2	5/2004
WO	WO 2007130358	A2	11/2007
WO	WO 2008/018002	A2	2/2008
WO	WO 2008134056	A1	4/2008
WO	WO 2008/052318	A1	5/2008
WO	WO 2008/117211	A1	10/2008
WO	WO 2008/146229	A2	12/2008
WO	WO 2009024952	A2	2/2009
WO	WO 2009/091562	A2	7/2009
WO	WO 2009093163	A2	7/2009
WO	WO 2009107052	A1	9/2009
WO	WO 2009/119038	A2	10/2009
WO	WO 2009128004	A1	10/2009
WO	WO 2009158422	A1	12/2009
WO	WO 2010/012999	A2	2/2010
WO	WO 2010/119618	A1	10/2010
WO	WO 2010128419	A1	11/2010

OTHER PUBLICATIONS

International Search Report and Written Opinion for counterpart PCT/US2011/000403 mailed Aug. 23, 2011.

International Search Report and Written Opinion for PCT/US2011/000404 mailed Aug. 25, 2011.

International Search Report and Written Opinion for PCT/US2011/000398 mailed Aug. 30, 2011.

International Search Report and Written Opinion for PCT/US2011/000406 mailed Sep. 15, 2011.

International Search Report and Written Opinion for PCT Application No. PCT/US2011/000391 mailed Oct. 6, 2011.

International Search Report and Written Opinion for PCT Patent Application No. PCT/US2011/000405 mailed Nov. 2, 2011.

International Search Report and Written Opinion for PCT Application No. PCT/US2011/000402 mailed Sep. 30, 2011.

International Search Report and Written Opinion for PCT/US2011/000407 mailed Nov. 16, 2011.

Office Action of the IPO for Taiwan Patent Application No. TW 100300962 issued Nov. 21, 2011.

Office Action of the IPO for Taiwan Patent Application No. TW 100300961 issued Nov. 16, 2011.

Office Action of the IPO for Taiwan Patent Application No. TW 100300960 issued Nov. 15, 2011.

Office Action of the IPO for Taiwan Patent Application No. TW 100302770 issued Jan. 13, 2012.

International Search Report and Written Opinion for PCT Application No. PCT/US2011/000397 mailed May 24, 2011.

Decision for Final Rejection for Japanese Patent Application No. 2001-542133 mailed Jun. 28, 2011.

International Search Report and Written Opinion for PCT Application No. PCT/US2011/000399 mailed Jul. 12, 2011.

Decision to Refuse a European Patent Application for EP 09 152 962.8 dated Jul. 6, 2011.

International Search Report and Written Opinion for PCT/US2011/000400 mailed May 2, 2011.

Cree XLamp® XP-G LED, Product Info and Data Sheet, 14 Pages.

Cree XLamp® XP-E LED, Product Info and Data Sheet, 20 Pages.

International Search Report and Written Opinion, PCT/US2009/063804, Mailed on Feb. 26, 2010.

U.S. Appl. No. 12/566,195, Van De Ven; filed Sep. 24, 2009.

U.S. Appl. No. 12/704,730, Van De Ven, filed Feb. 12, 2010.

C.Crane Geobulb®-II LED Light Bulb, Item #2SW, Description, p. 1-2.

C.Crane Geobulb®-II LED Light Bulb, Item #2SW, Specs, p. 1-2.

Cree LR4, 4" Recessed Architectural Downlight, Product Info p. 1-2.

Cree LR6, 6" Recessed Downlight Module, Product Info, p. 1-2.

U.S. Appl. No. 12/901,405, filed Oct. 8, 2010, Tong.

U.S. Appl. No. 61/339,515, filed Mar. 3, 2010, Tong.

U.S. Appl. No. 12/848,825, filed Aug. 2, 2010, Tong.

U.S. Appl. No. 12/975,820, Van De Ven.

U.S. Appl. No. 13/029,063, filed Feb. 16, 2011, Hussell.

U.S. Appl. No. 61/424,670, filed Dec. 19, 2010, Zongjie Yuan.

U.S. Appl. No. 11/656,759, filed Jan. 22, 2007 Chitnis.

U.S. Appl. No. 11/899,790, filed Sep. 7, 2007 Chitnis.

U.S. Appl. No. 11/473,089, filed Jun. 21, 2006 Tarsa.

U.S. Appl. No. 61/435,759, filed Jan. 24, 2011 Le.

U.S. Appl. No. 61/339,516, filed Mar. 3, 2010 Tong.

* cited by examiner

FIG. 1

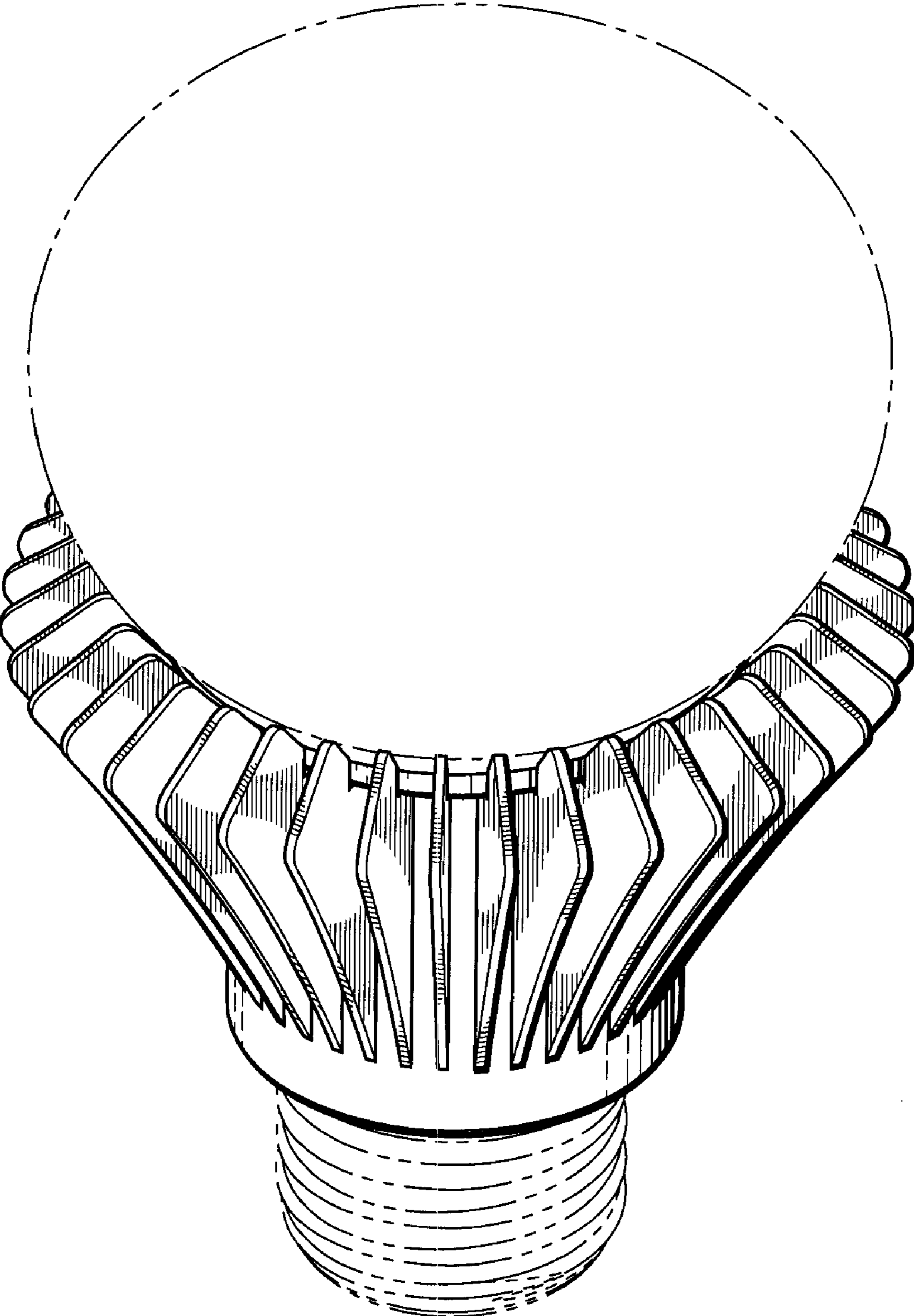
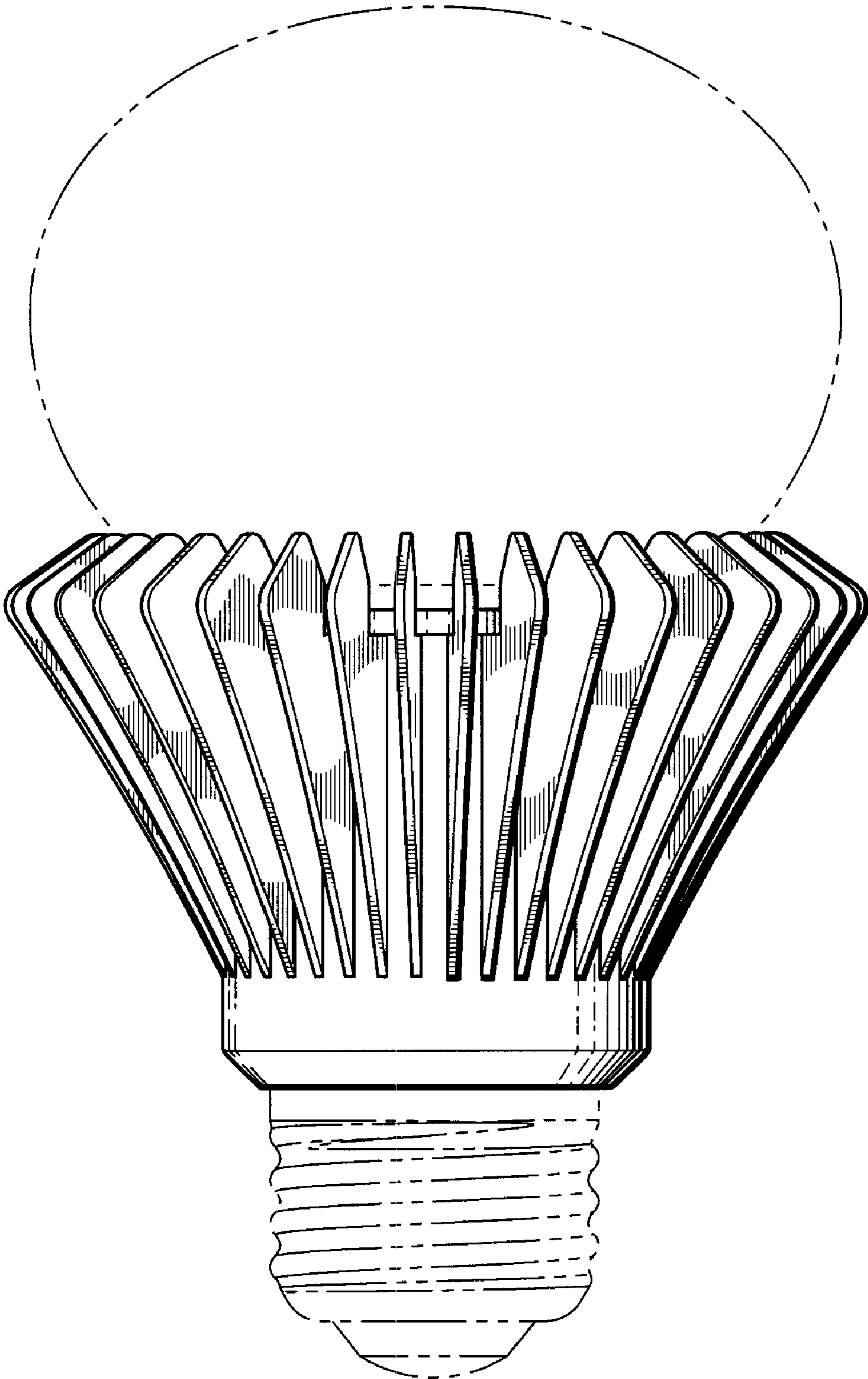


FIG. 2



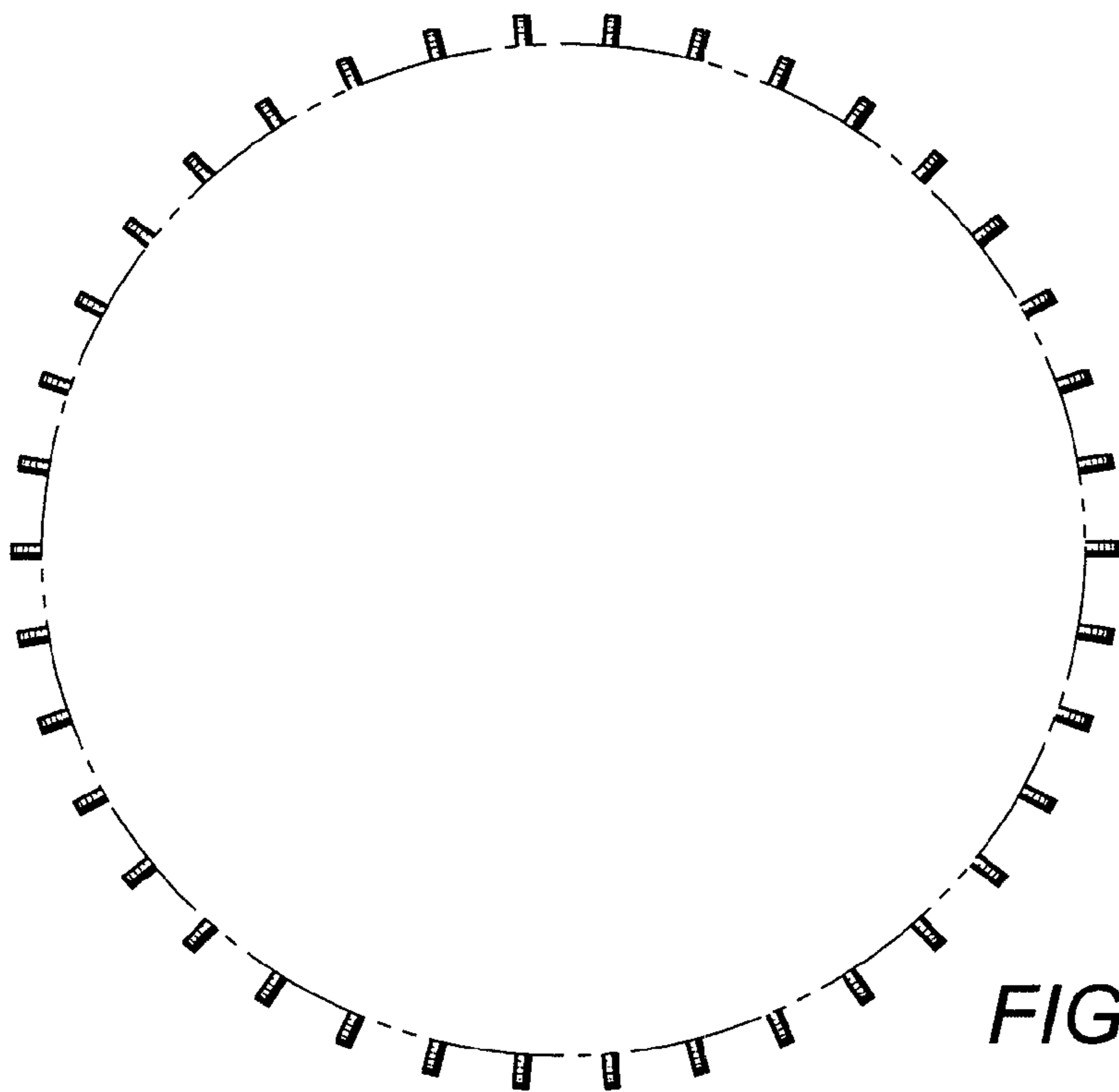


FIG. 3

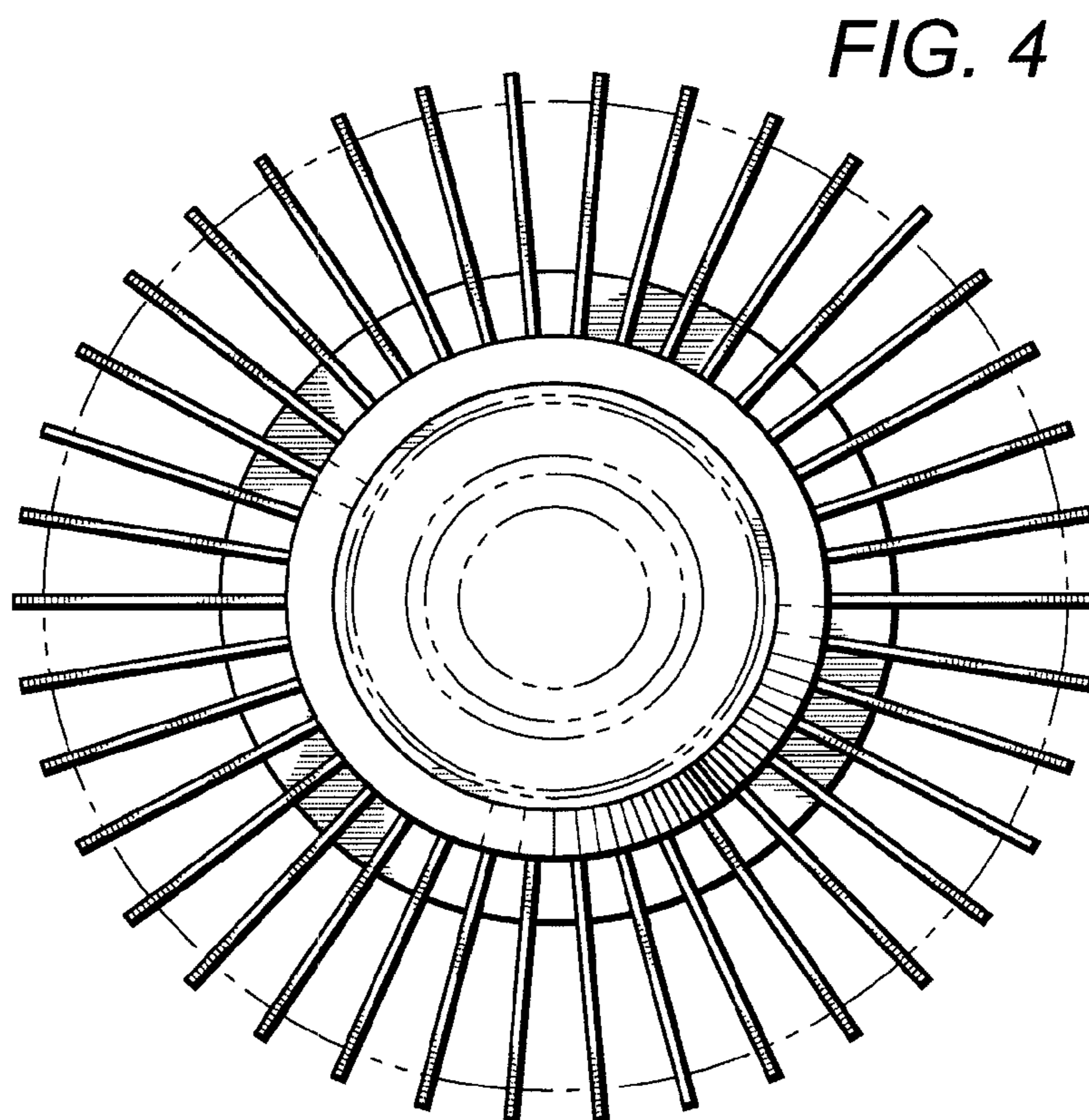


FIG. 4