



US00D666337S

(12) **United States Design Patent**
Song

(10) **Patent No.:** **US D666,337 S**

(45) **Date of Patent:** **** Aug. 28, 2012**

(54) **LIGHT BULB**

(56) **References Cited**

(75) Inventor: **Jin-Young Song**, Hong Kong (HK)

U.S. PATENT DOCUMENTS

(73) Assignee: **Koninklijke Philips Electronics N.V.**,
Eindhoven (NL)

D433,166	S	*	10/2000	Noll	D26/2
D435,306	S	*	12/2000	McBride	D26/2
D498,007	S	*	11/2004	Bobel	D26/2
D634,453	S	*	3/2011	Kim et al.	D26/2
D646,802	S	*	10/2011	Guohui	D26/2
D647,226	S	*	10/2011	Huang et al.	D26/2
D647,646	S	*	10/2011	Tsung	D26/2

(**) Term: **14 Years**

* cited by examiner

(21) Appl. No.: **29/404,043**

Primary Examiner — Marcus Jackson

(22) Filed: **Oct. 14, 2011**

(57) **CLAIM**
The ornamental design for a light bulb, as shown.

(30) **Foreign Application Priority Data**

DESCRIPTION

Apr. 14, 2011 (EM) 001851080-0002

(51) **LOC (9) Cl.** **26-04**

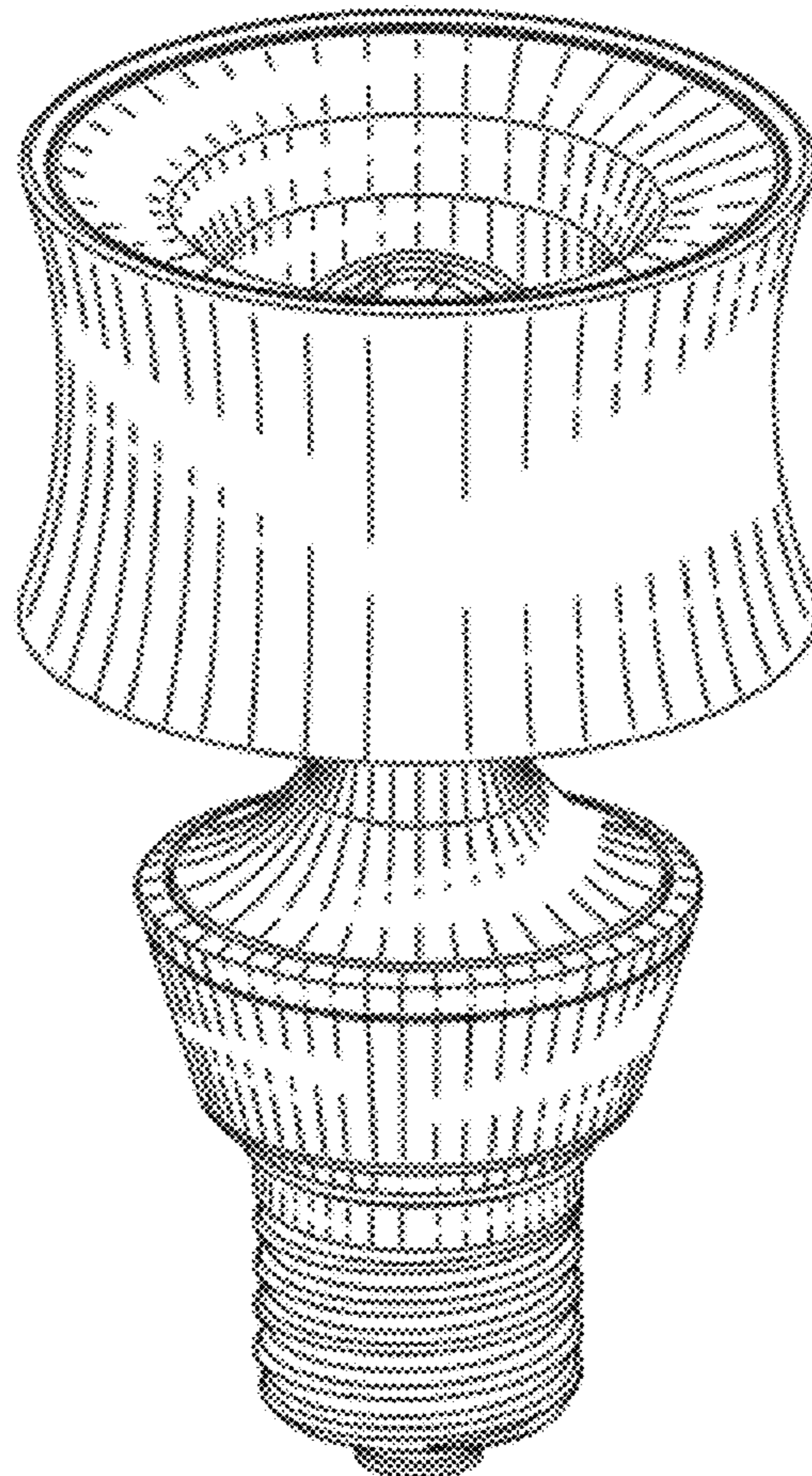
(52) **U.S. Cl.** **D26/2**

(58) **Field of Classification Search** D26/1-4;
313/313, 315, 316, 317, 318, 493; 315/52,
315/53, 56, 57, 58

FIG. 1 is a perspective view showing my design;
FIG. 2 is a front elevational view thereof;
FIG. 3 is a rear elevational view thereof;
FIG. 4 is a right side elevational view thereof;
FIG. 5 is a left side elevational view thereof;
FIG. 6 is a top plan view thereof; and,
FIG. 7 is a bottom plan view thereof.

See application file for complete search history.

1 Claim, 3 Drawing Sheets



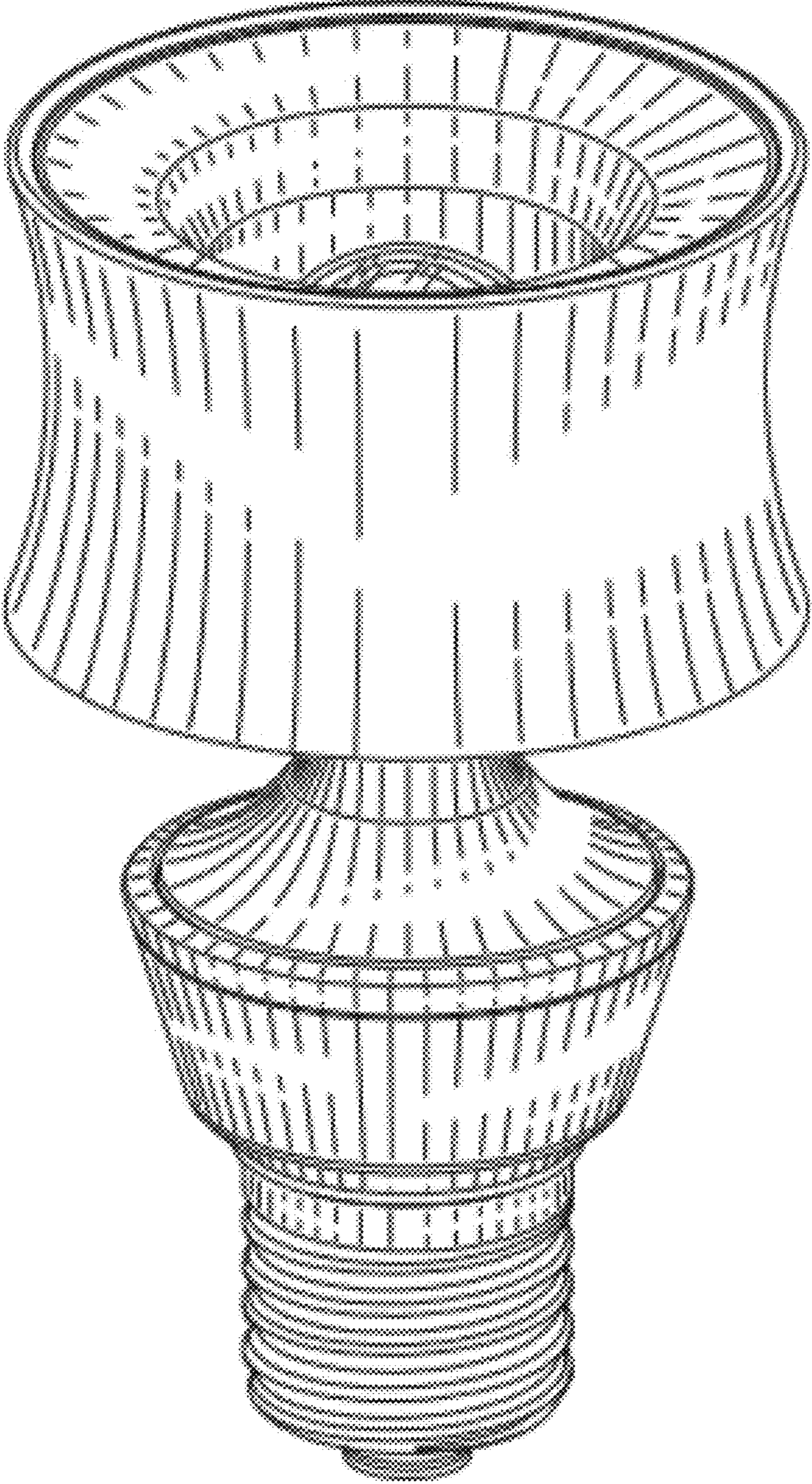


FIG. 1

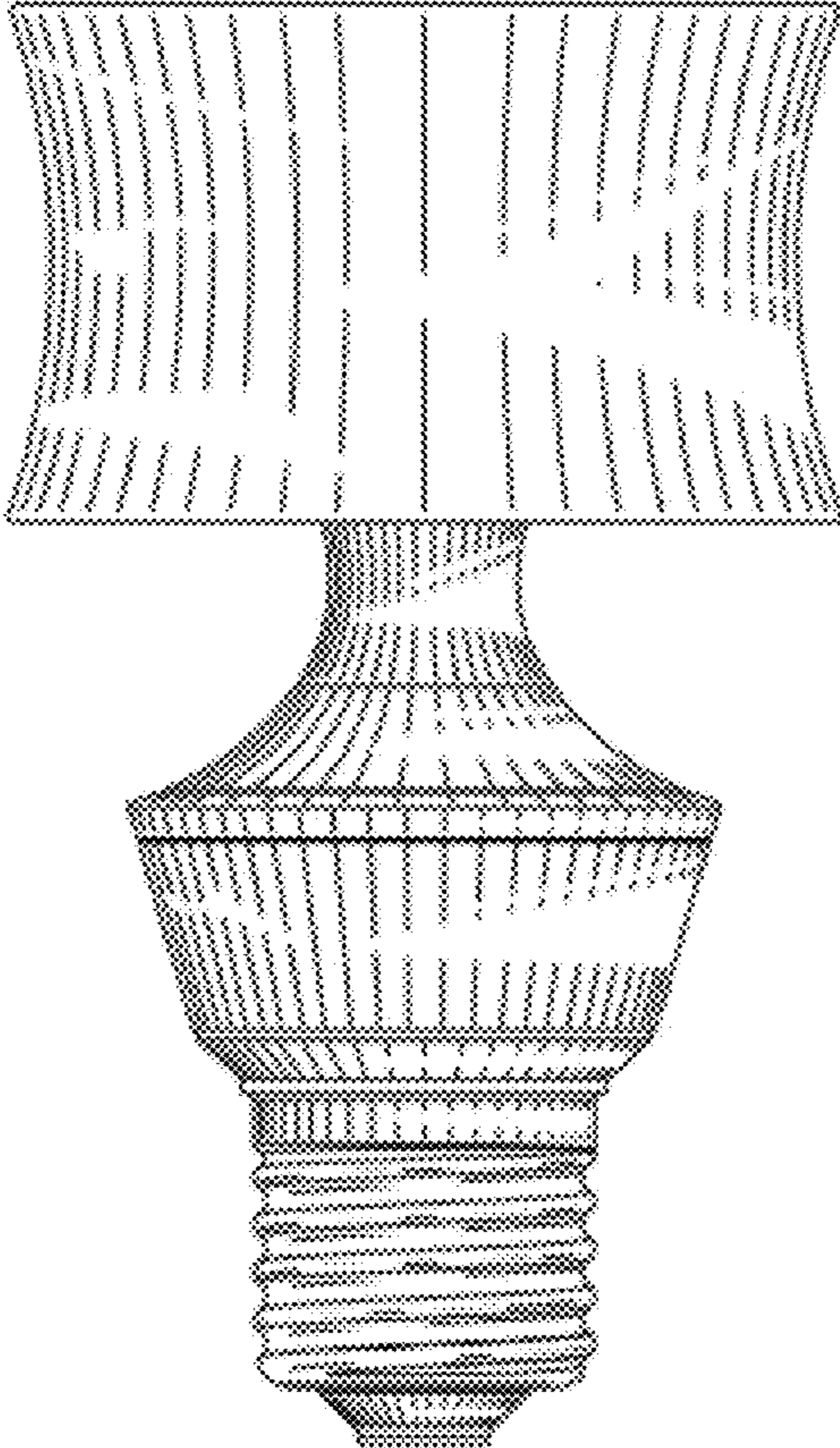


FIG. 2

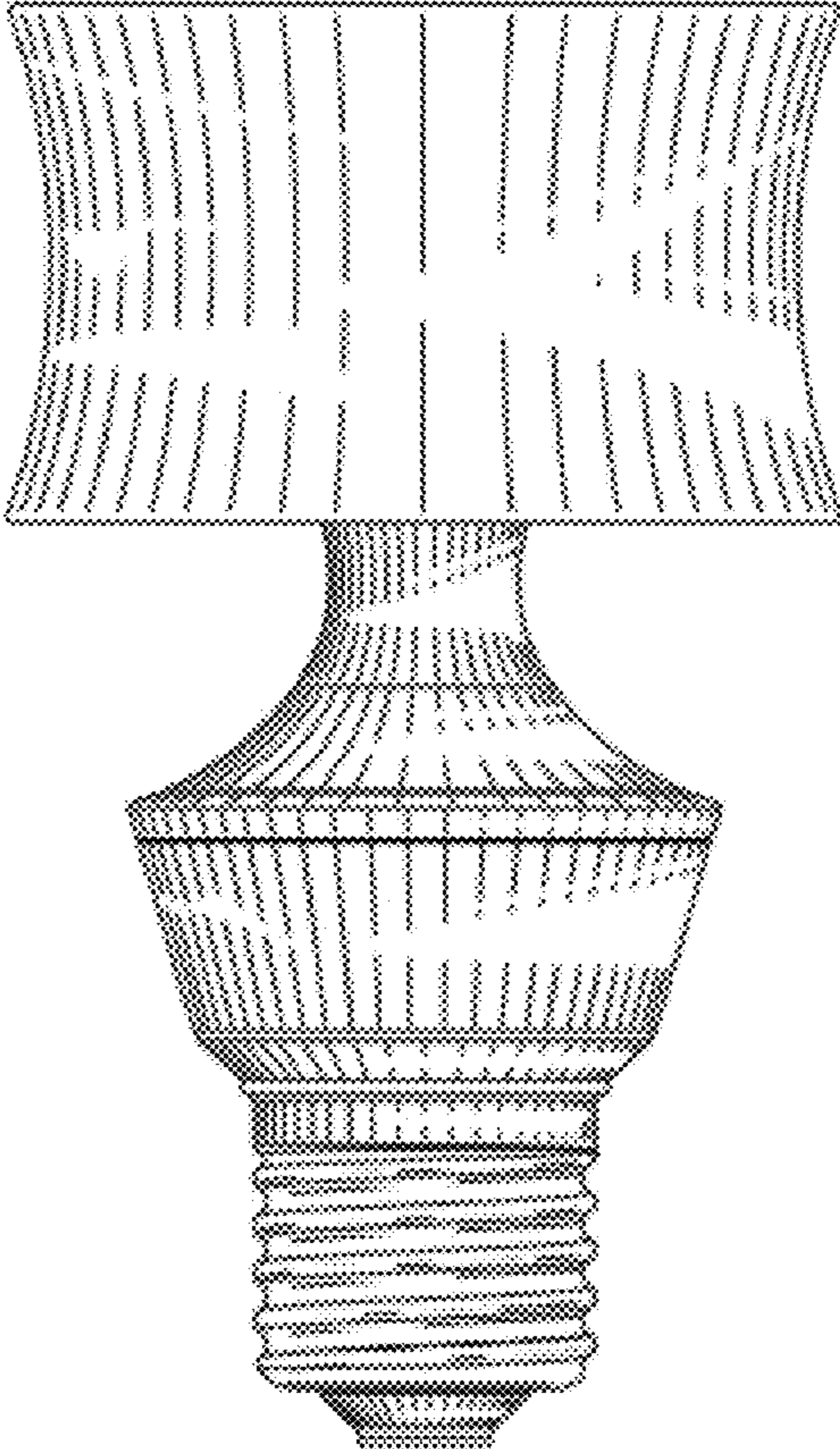


FIG. 3

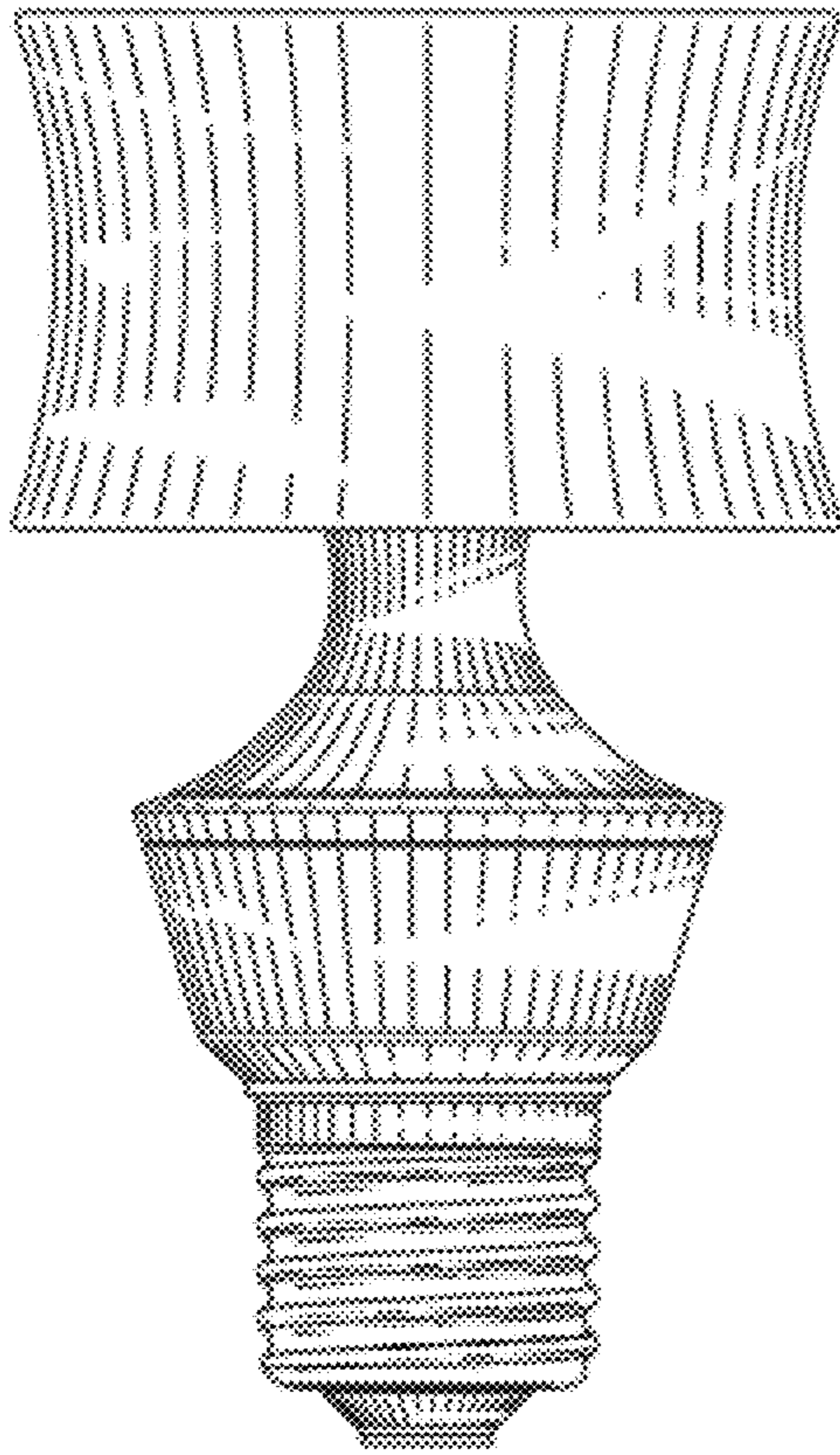


FIG. 4

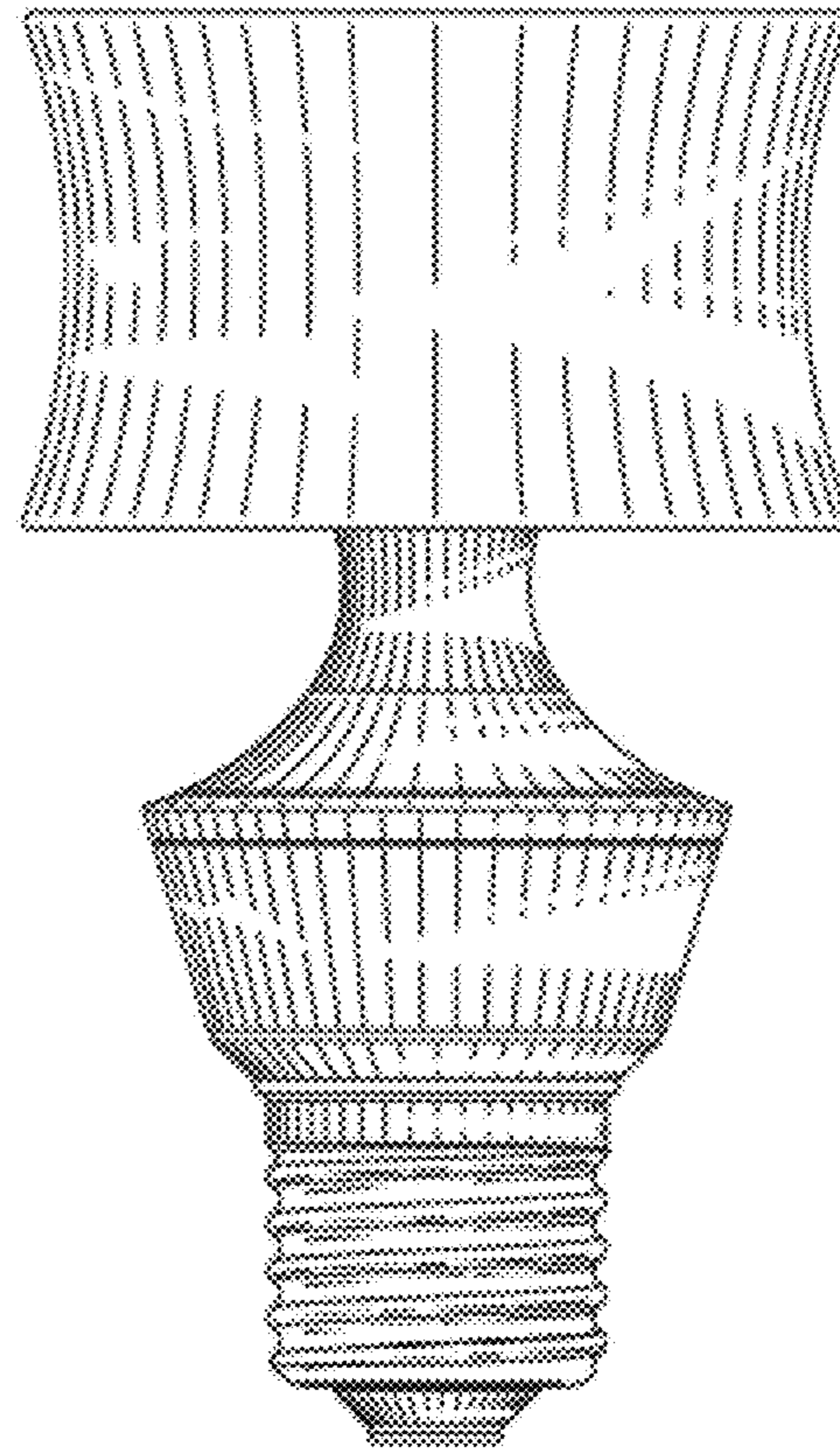


FIG. 5

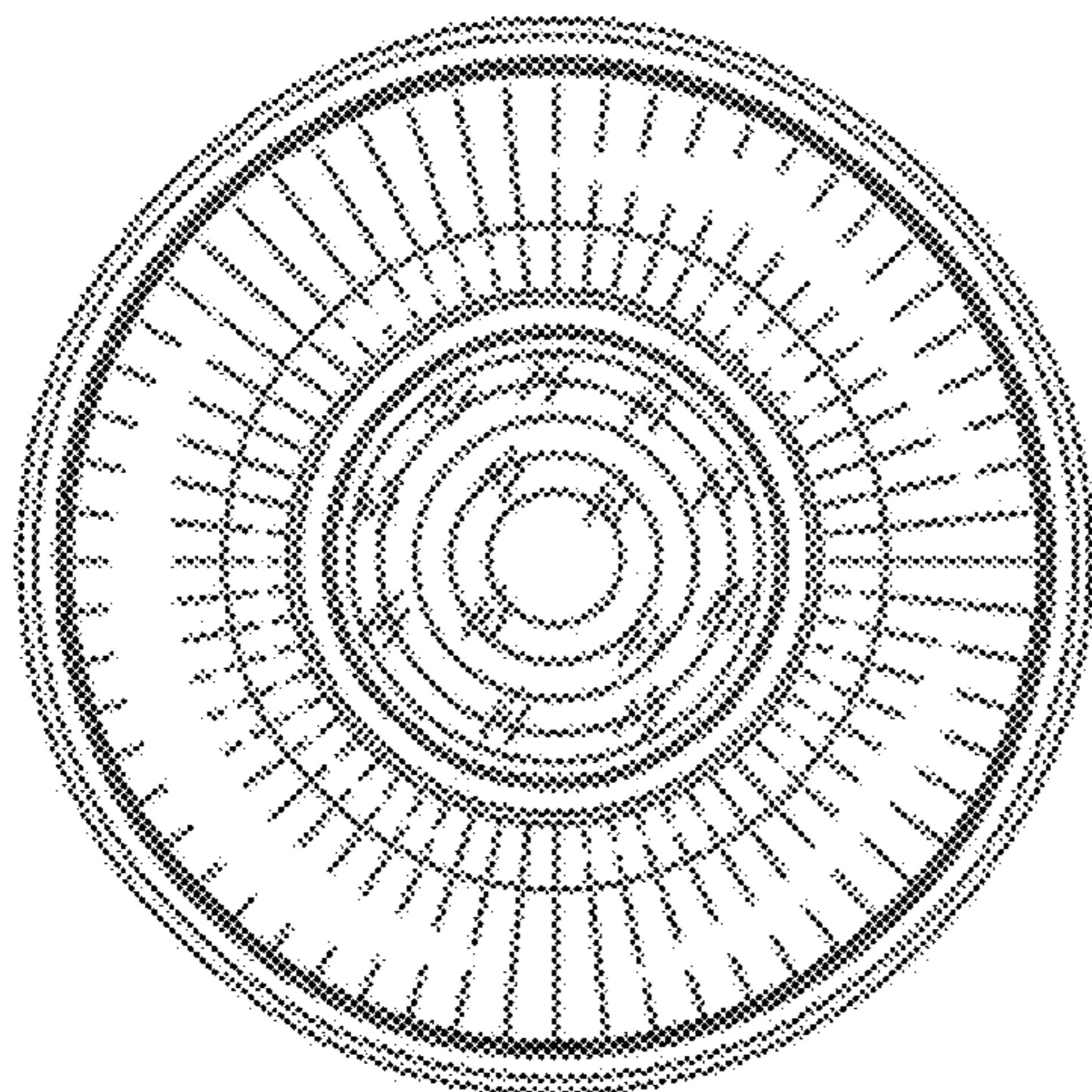


FIG. 6

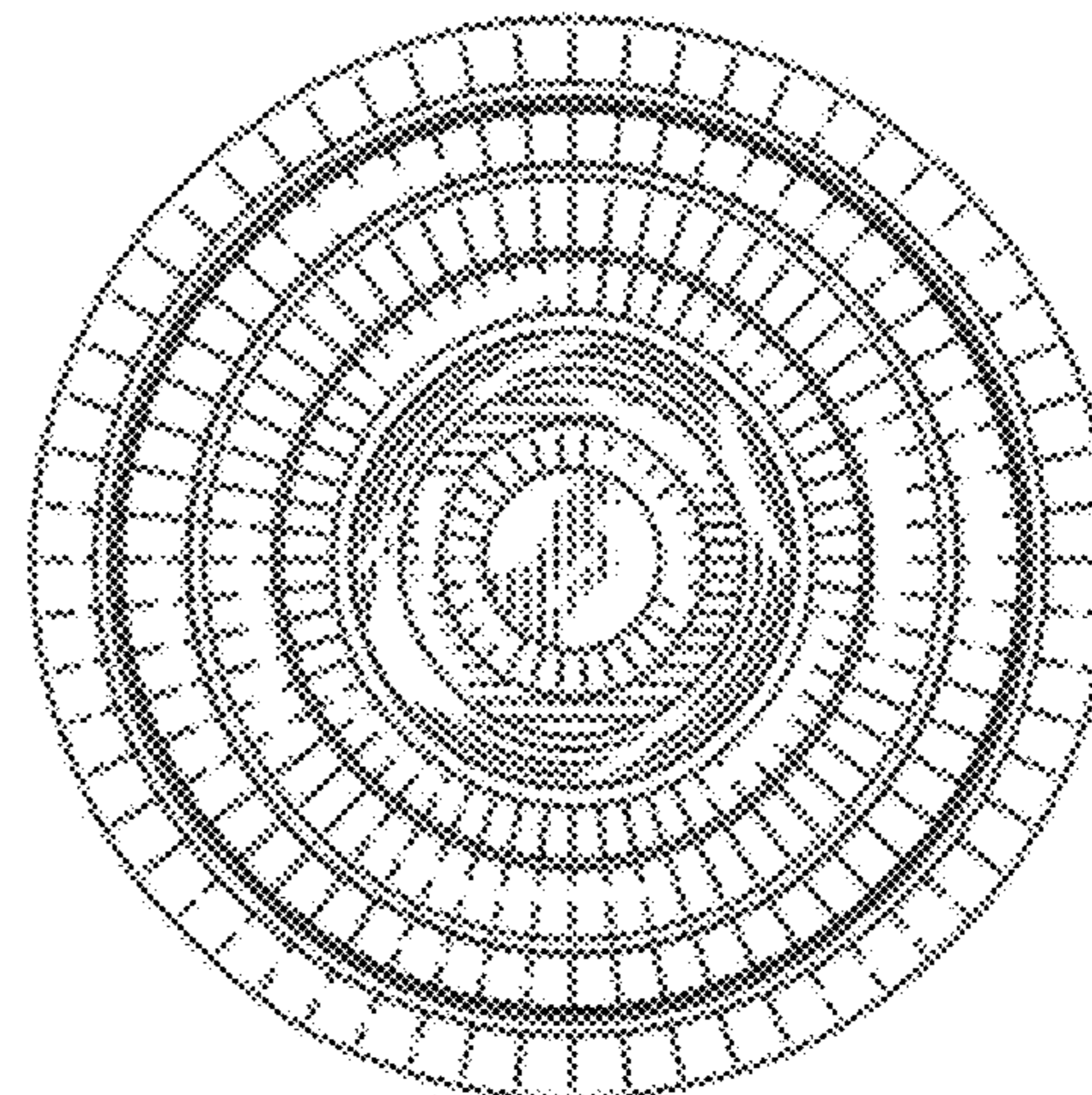


FIG. 7