

US00D666336S

(12) **United States Design Patent**
Song

(10) **Patent No.:** **US D666,336 S**

(45) **Date of Patent:** **** Aug. 28, 2012**

(54) **LIGHT BULB**

(75) Inventor: **Jin-Young Song**, Hong Kong (HK)

(73) Assignee: **Koninklijke Philips Electronics N.V.**,
Eindhoven (NL)

(**) Term: **14 Years**

(21) Appl. No.: **29/404,042**

(22) Filed: **Oct. 14, 2011**

(30) **Foreign Application Priority Data**

Apr. 14, 2011 (EM) 001851080-0001

(51) **LOC (9) Cl.** **26-04**

(52) **U.S. Cl.** **D26/2**

(58) **Field of Classification Search** D26/1-4;
313/313, 315, 316, 317, 318, 493; 315/52,
315/53, 56, 57, 58

See application file for complete search history.

(56) **References Cited**

U.S. PATENT DOCUMENTS

D433,166 S *	10/2000	Noll	D26/2
D435,306 S *	12/2000	McBride	D26/2
D498,007 S *	11/2004	Bobel	D26/2
D534,664 S *	1/2007	Geens	D26/2
D634,453 S *	3/2011	Kim et al.	D26/2
D646,802 S *	10/2011	Guohui	D26/2
D647,226 S *	10/2011	Huang et al.	D26/2
D647,646 S *	10/2011	Tsung	D26/2

* cited by examiner

Primary Examiner — Marcus Jackson

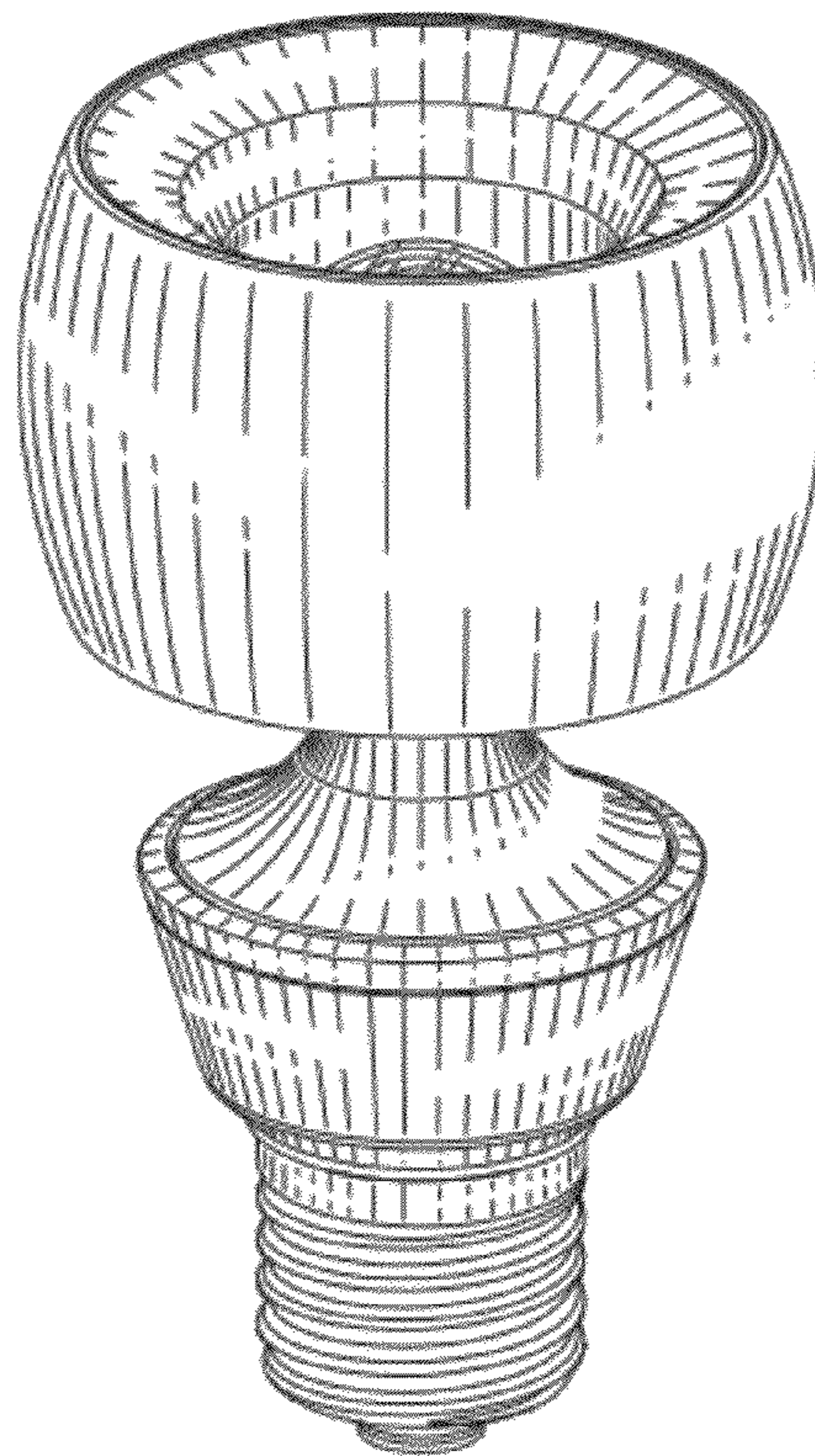
(57) **CLAIM**

The ornamental design for a light bulb, as shown.

DESCRIPTION

FIG. 1 is a perspective view showing my design;
FIG. 2 is a front elevational view thereof;
FIG. 3 is a rear elevational view thereof;
FIG. 4 is a right side elevational view thereof;
FIG. 5 is a left side elevational view thereof;
FIG. 6 is a top plan view thereof; and,
FIG. 7 is a bottom plan view thereof.

1 Claim, 3 Drawing Sheets



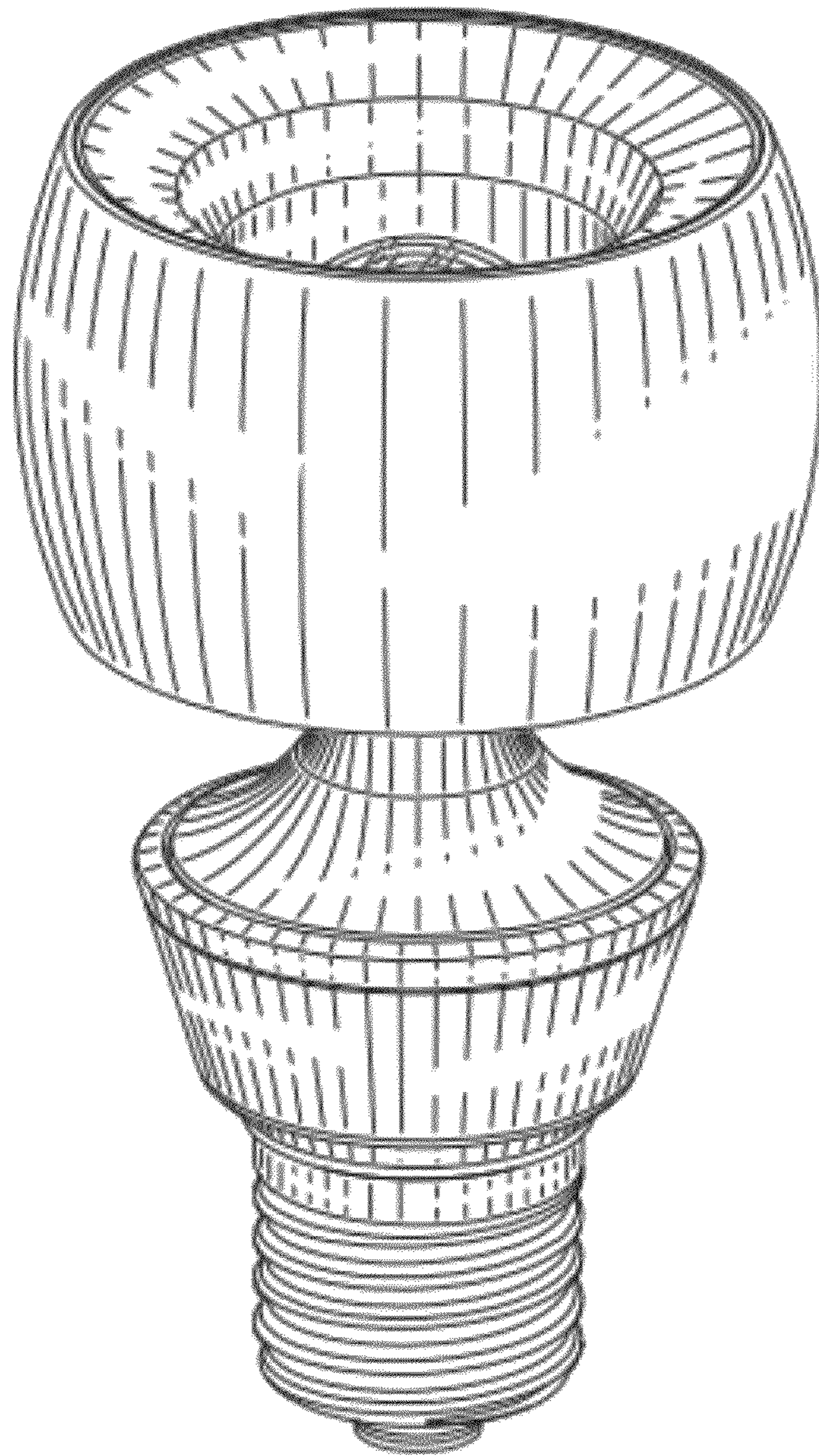


FIG.1

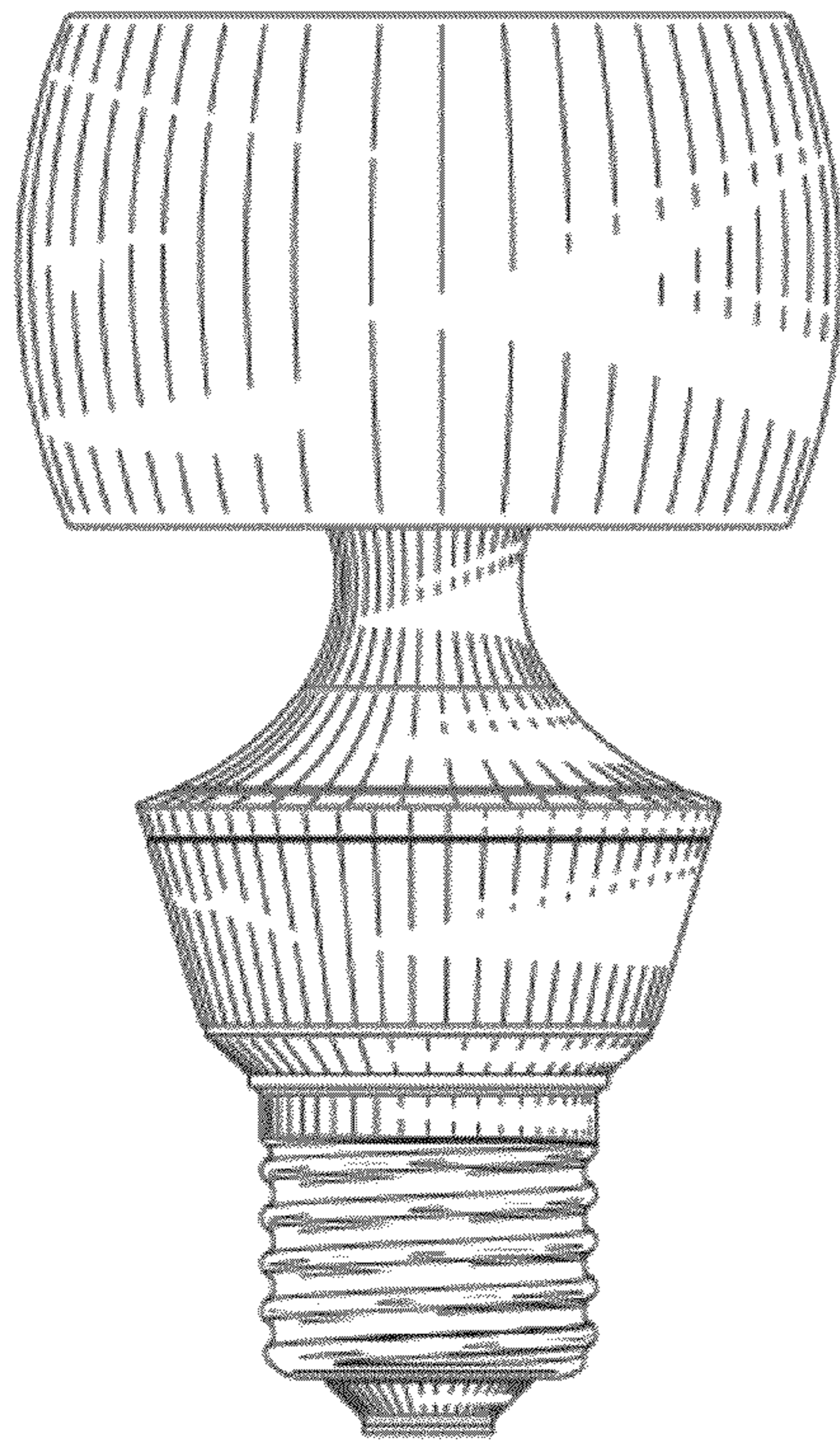


FIG. 2

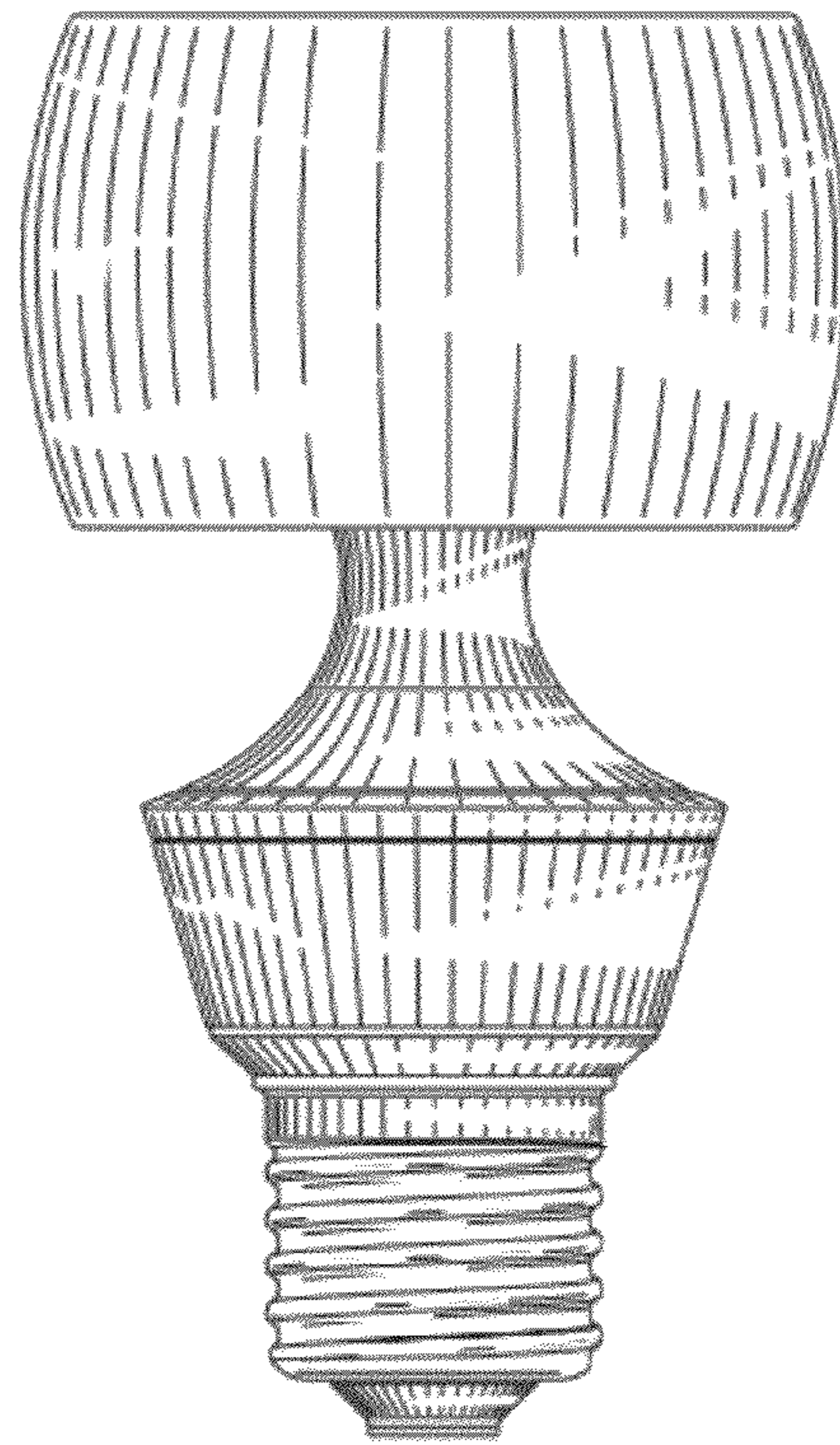


FIG. 3

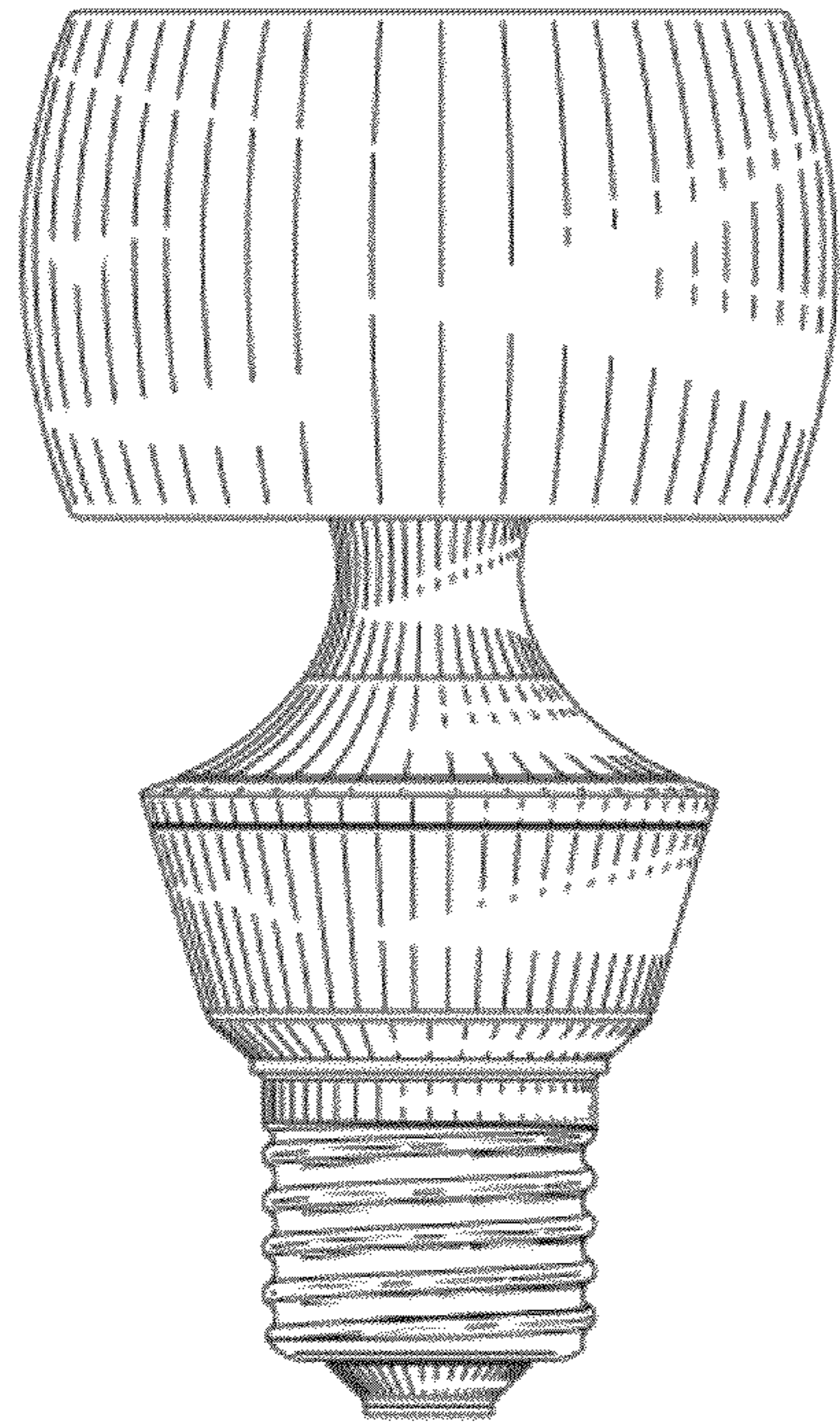


FIG. 4

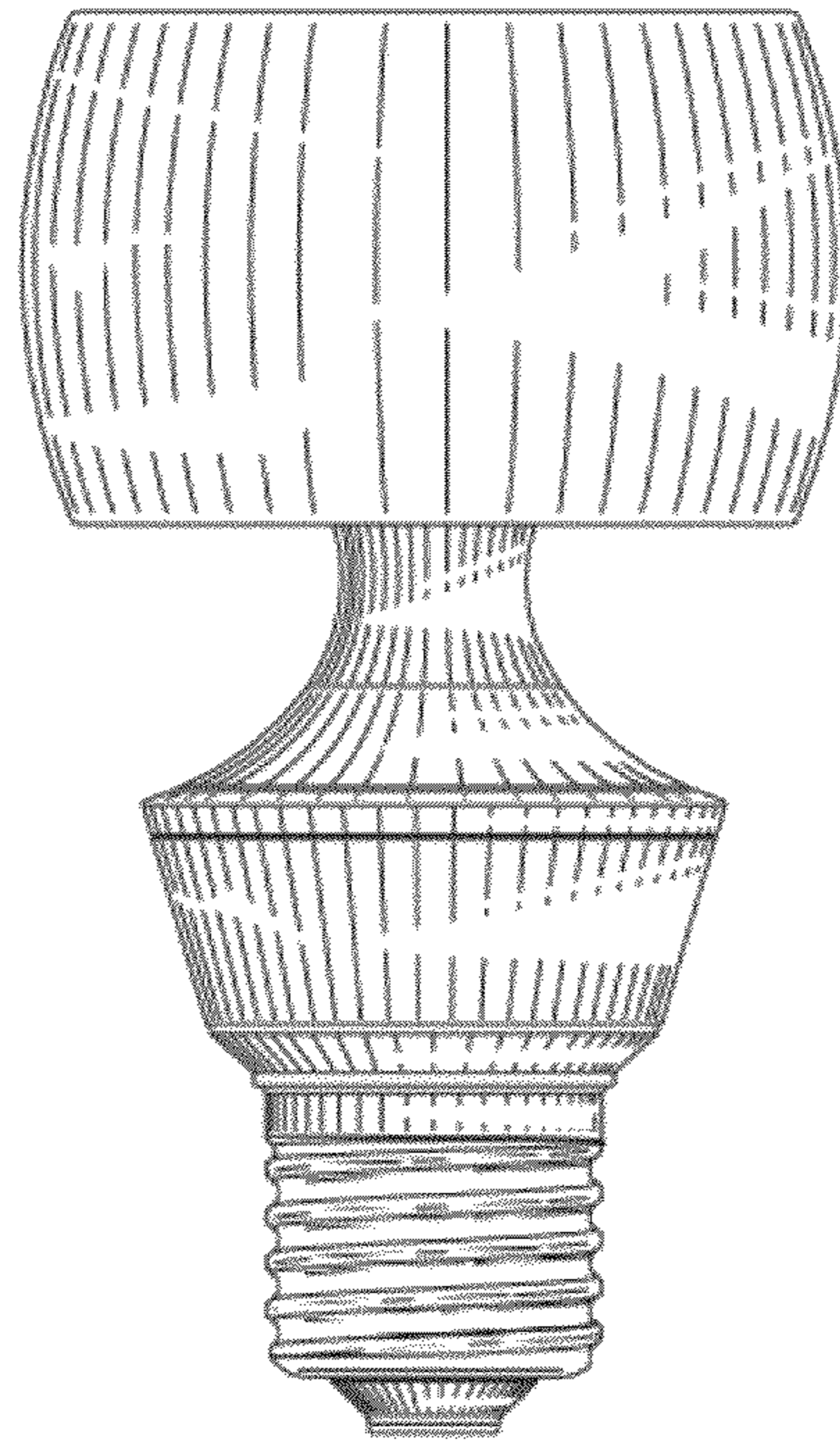


FIG. 5

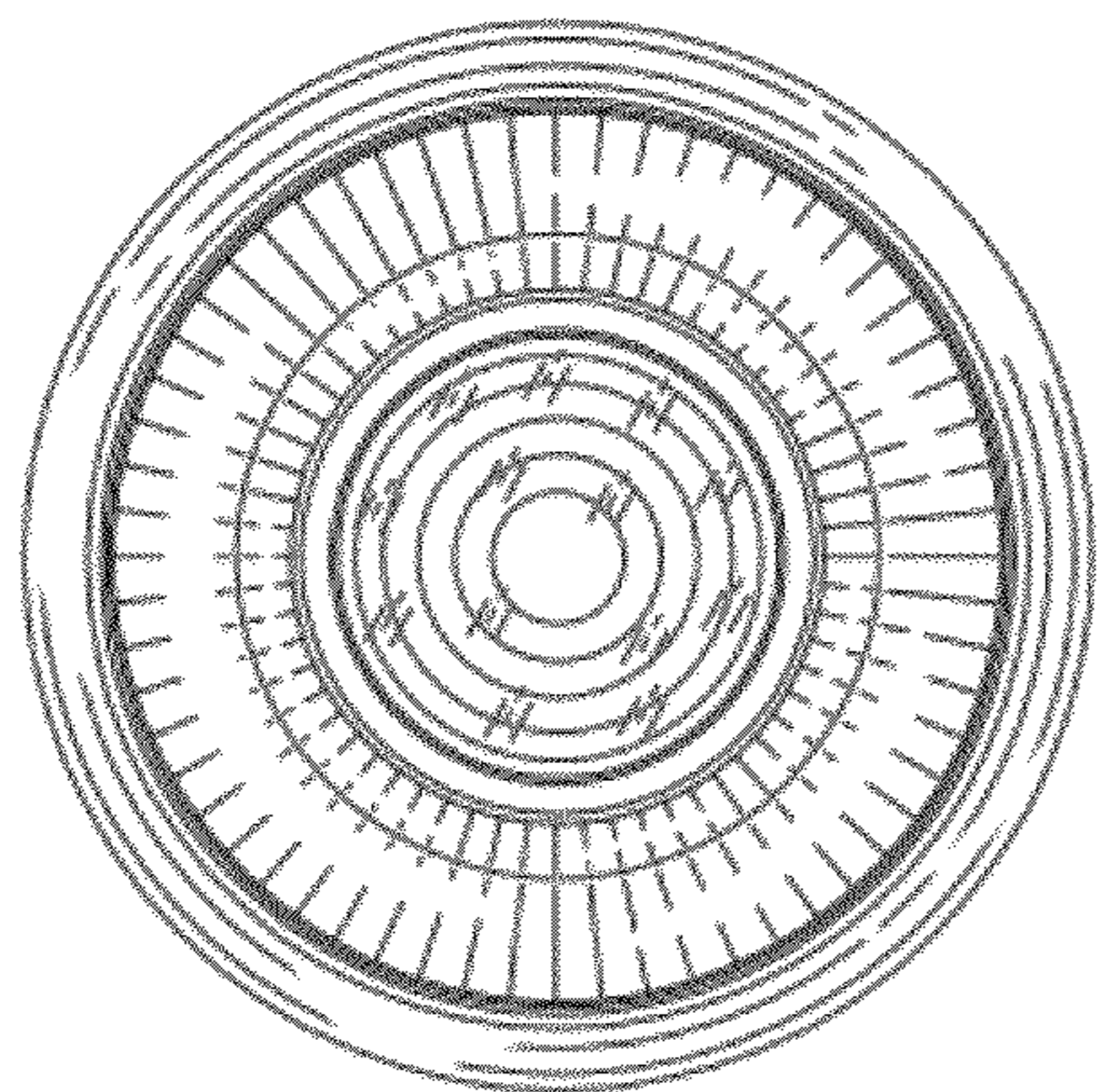


FIG. 6

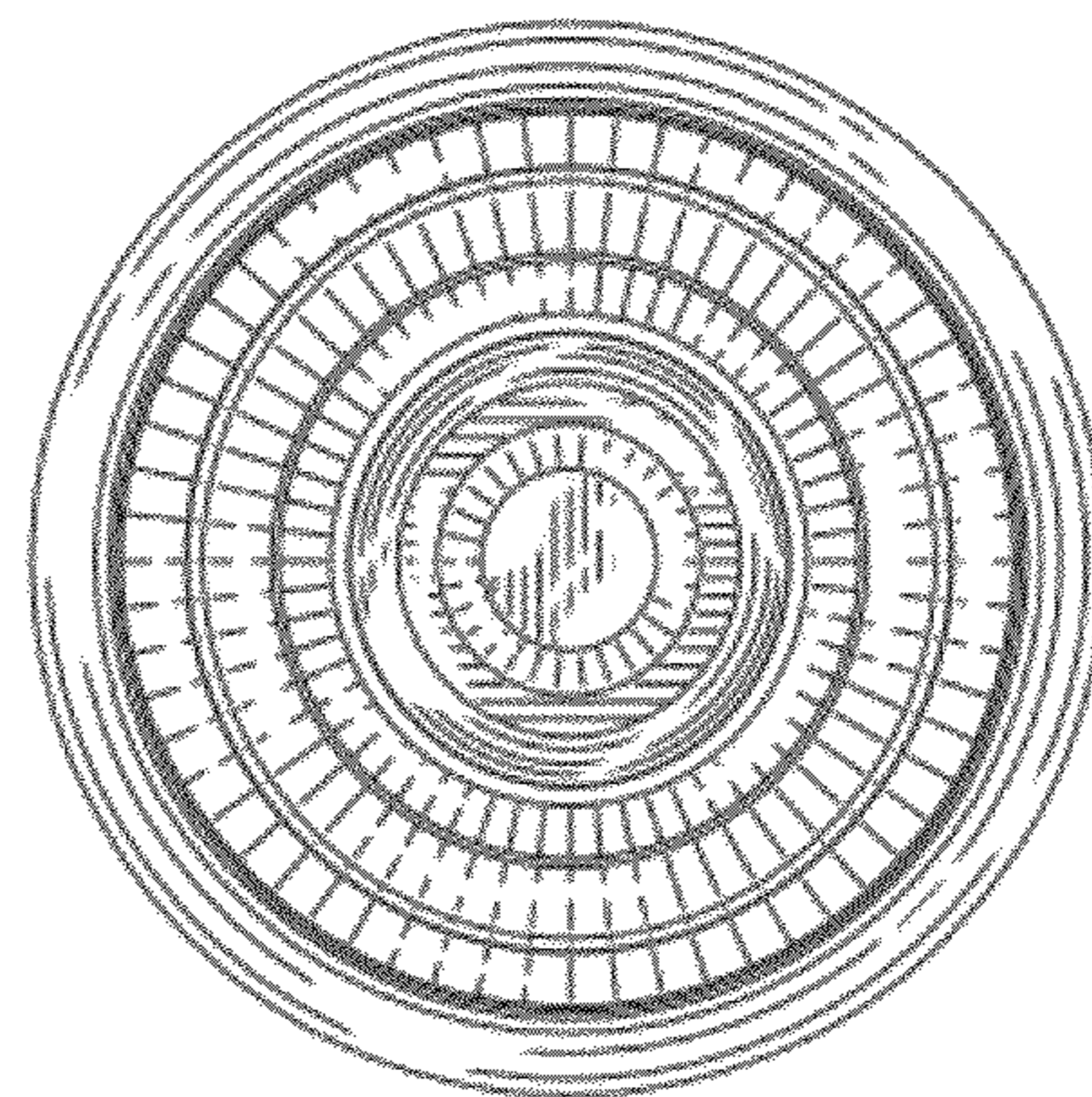


FIG. 7