

US00D666335S

(12) **United States Design Patent**  
**Kim et al.**

(10) **Patent No.:** **US D666,335 S**

(45) **Date of Patent:** **\*\* Aug. 28, 2012**

(54) **LED LAMP MODULE**

(75) Inventors: **Kwang Soo Kim**, Seoul (KR); **Bu Kwan Je**, Seoul (KR); **Ki Man Park**, Seoul (KR); **Young Ho Shin**, Seoul (KR); **Ye Seul Yang**, Seoul (KR); **Ji Hoo Kim**, Seoul (KR)

(73) Assignee: **LG Innotek Co., Ltd.**, Seoul (KR)

(\*\*) Term: **14 Years**

(21) Appl. No.: **29/400,190**

(22) Filed: **Aug. 24, 2011**

(30) **Foreign Application Priority Data**

Feb. 25, 2011 (KR) ..... 30-2011-0007576

(51) **LOC (9) Cl.** ..... **26-04**

(52) **U.S. Cl.** ..... **D26/2**

(58) **Field of Classification Search** ..... D26/1-4;  
313/313, 315, 316, 317, 318, 493; 315/52,  
315/53, 56, 57, 58

See application file for complete search history.

(56) **References Cited**

U.S. PATENT DOCUMENTS

D626,666 S \* 11/2010 Yamamoto et al. .... D26/2  
D627,493 S \* 11/2010 Yamamoto et al. .... D26/2

D628,312 S \* 11/2010 Yamamoto et al. .... D26/2  
D628,318 S \* 11/2010 Yamamoto et al. .... D26/2  
D628,722 S \* 12/2010 Yamamoto et al. .... D26/2

\* cited by examiner

*Primary Examiner* — Marcus Jackson

(74) *Attorney, Agent, or Firm* — Lowe Hauptman Ham & Berner, LLP

(57) **CLAIM**

The ornamental design for a LED lamp module, as shown and described.

**DESCRIPTION**

FIG. 1 is a perspective view of a LED lamp module showing my/our new design;  
FIG. 2 is a front elevational view thereof, the rear side being a mirror image;  
FIG. 3 is a left side elevational view thereof;  
FIG. 4 is a right side elevational view thereof;  
FIG. 5 is a top plan view thereof;  
FIG. 6 is a bottom plan view thereof;  
FIG. 7 is an alternate perspective view, as seen from the bottom; and,  
FIG. 8 is a reference view similar to FIG. 1, showing the LED lamp module in use with the light emitting part hatched with diagonal lines.

**1 Claim, 5 Drawing Sheets**

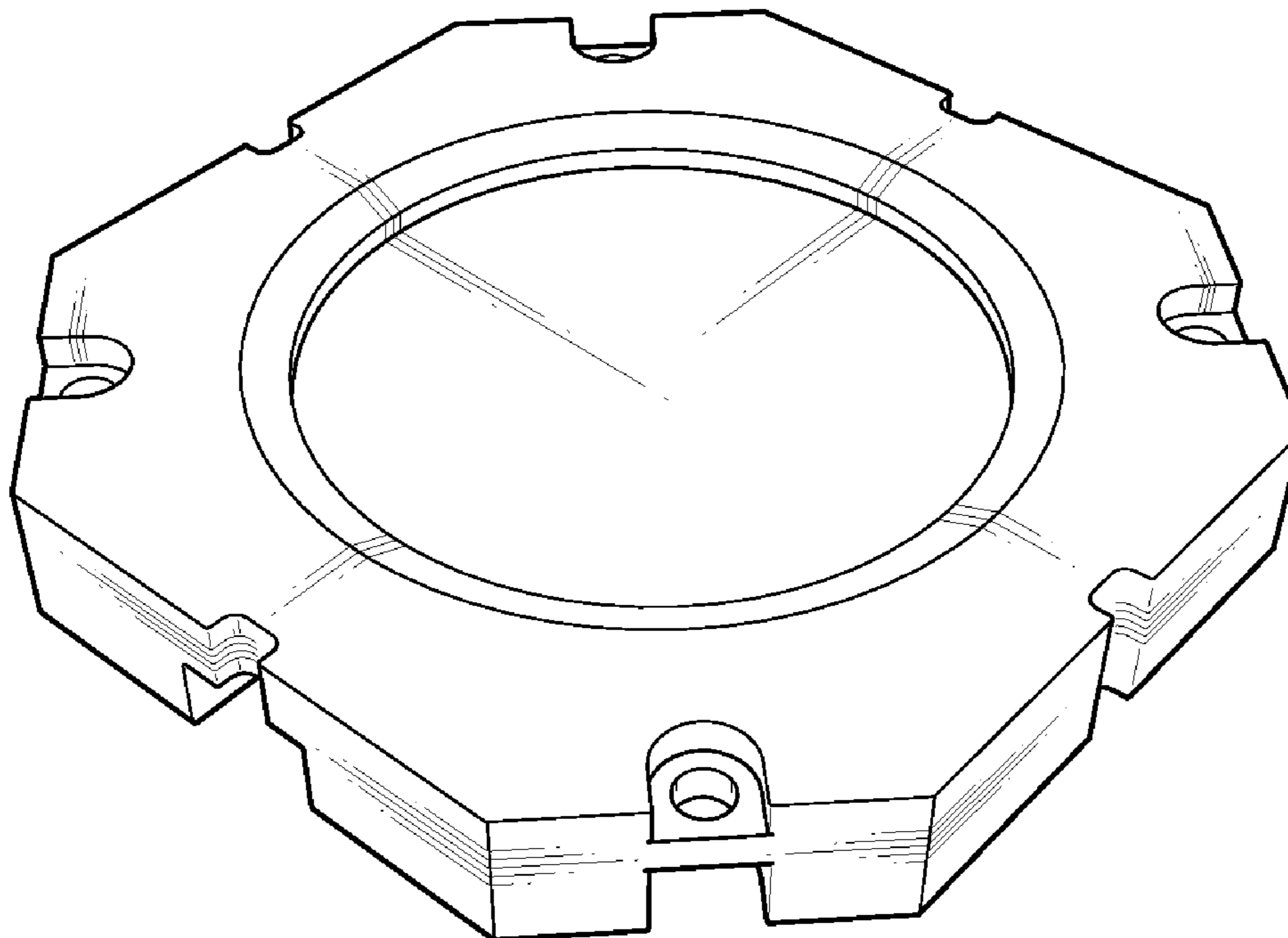


FIG. 1

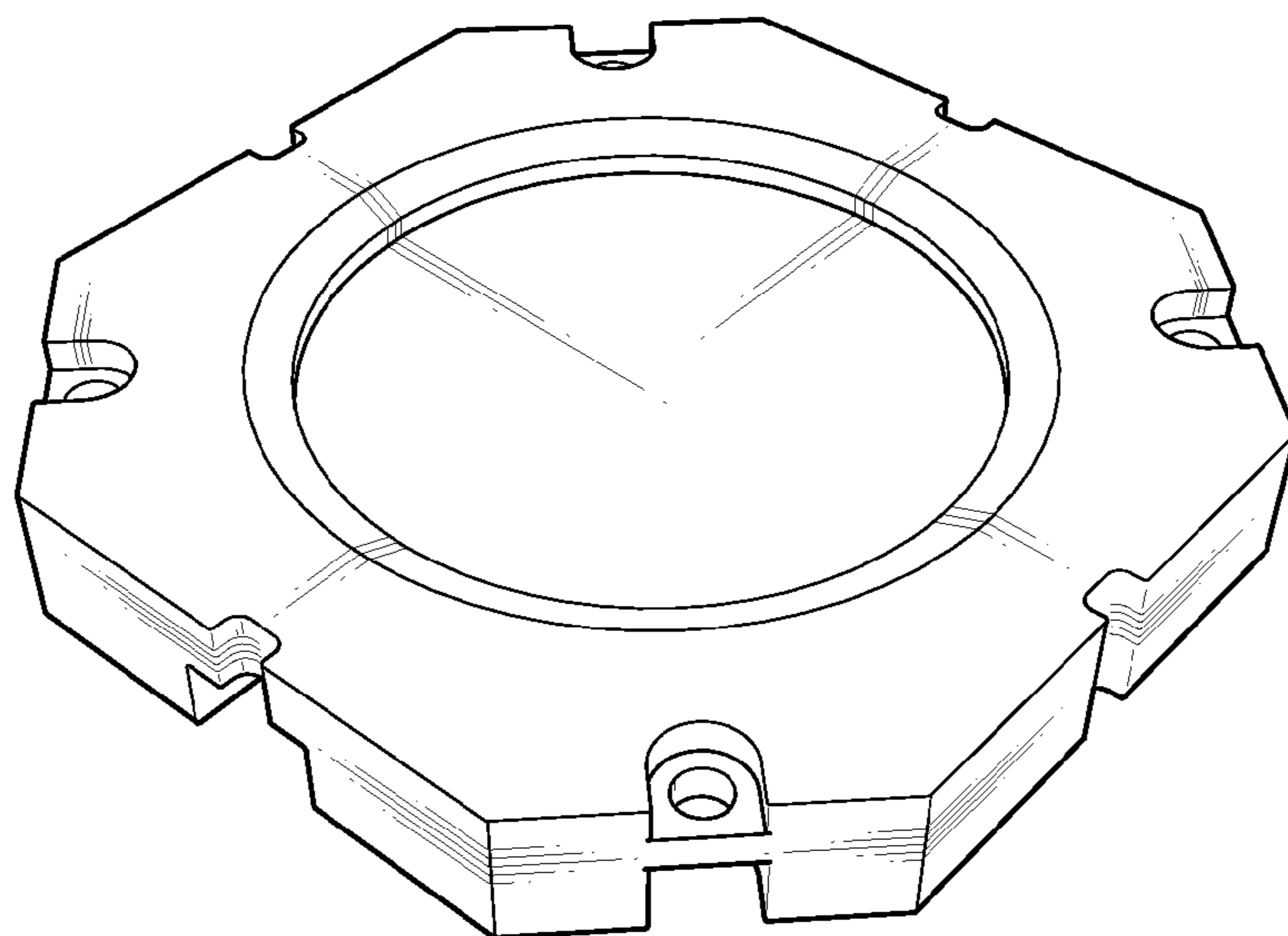


FIG. 2

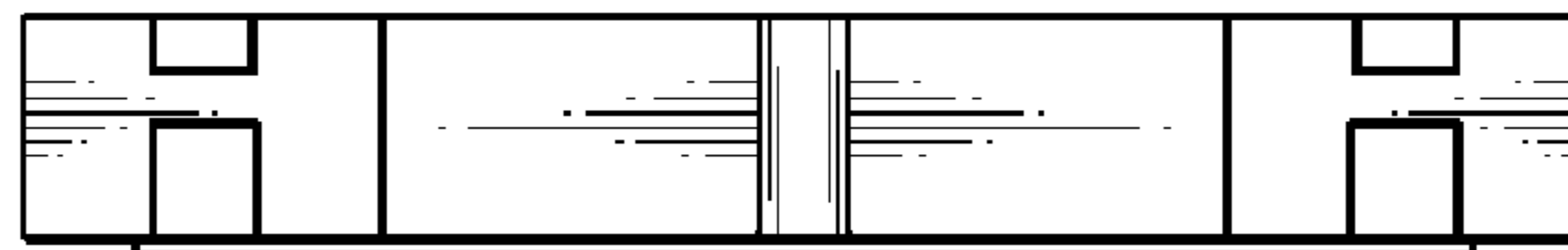


FIG. 3

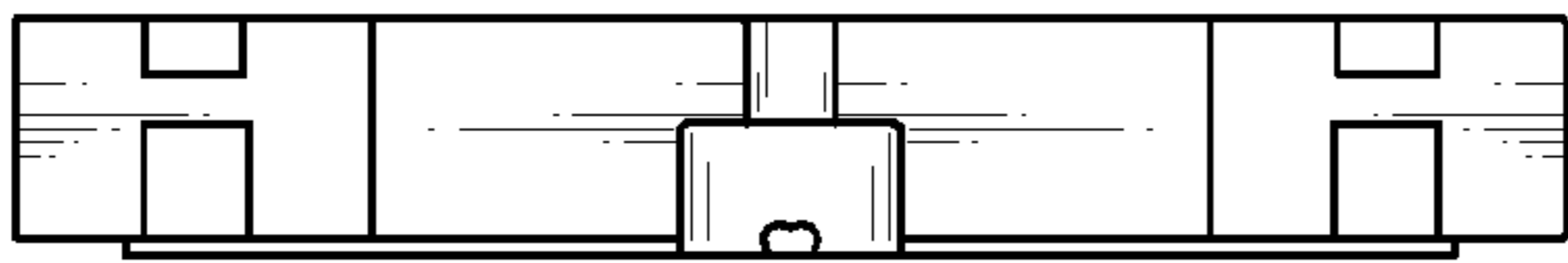


FIG. 4

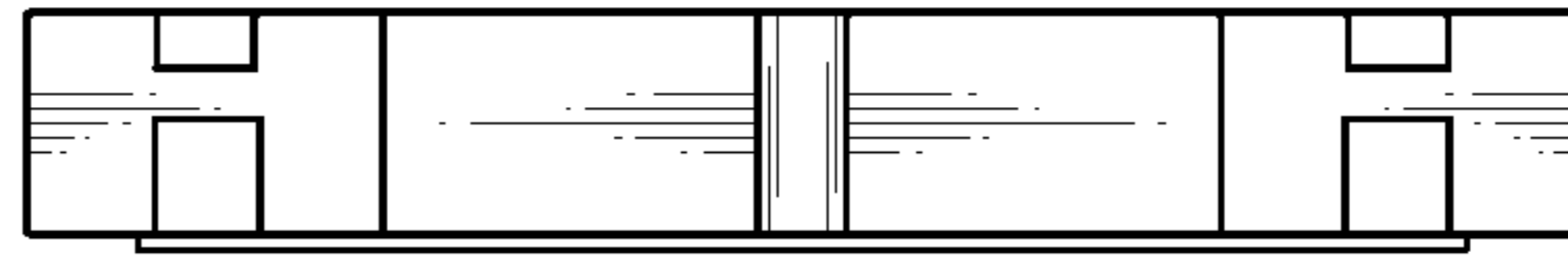


FIG. 5

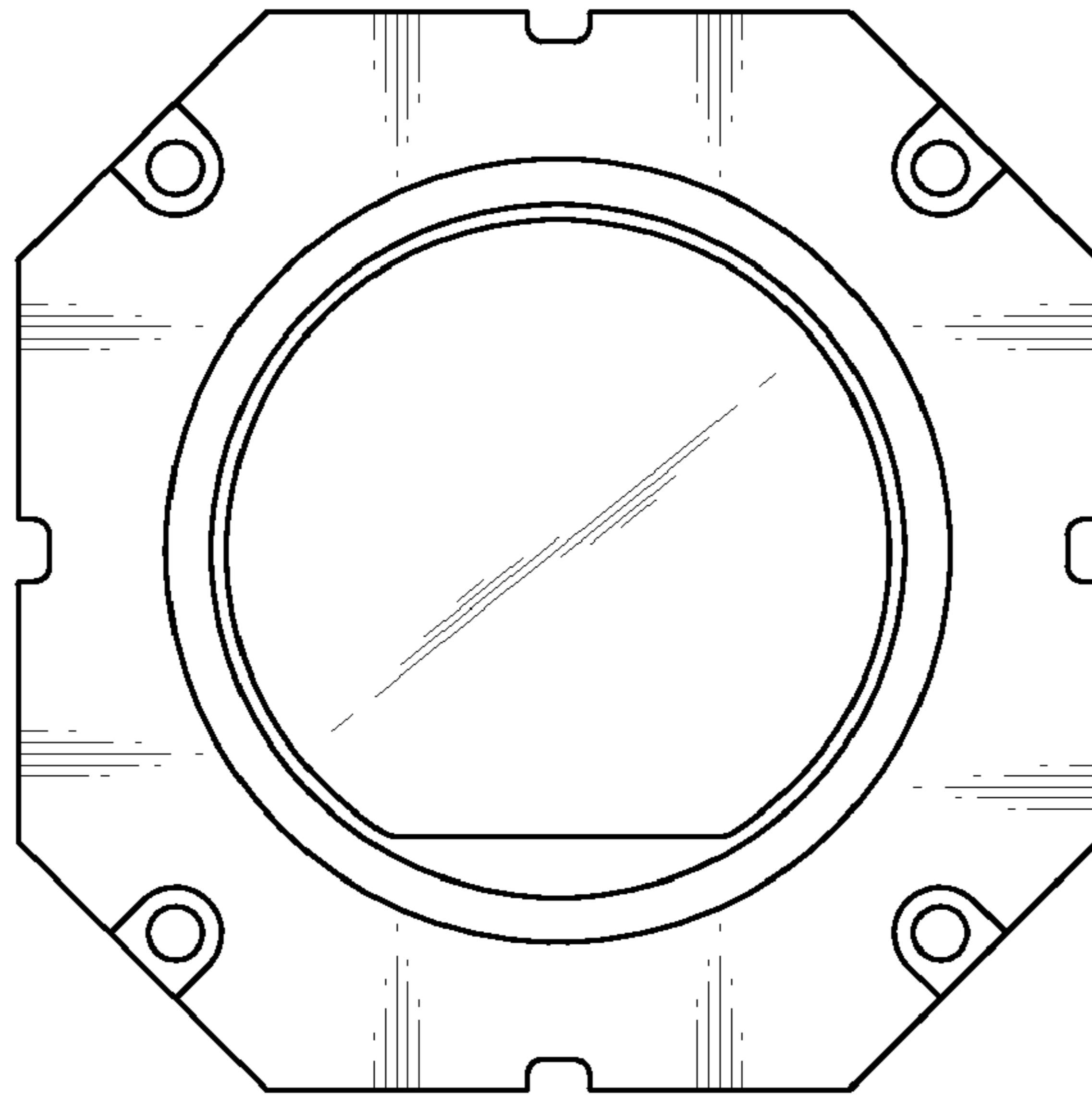


FIG. 6

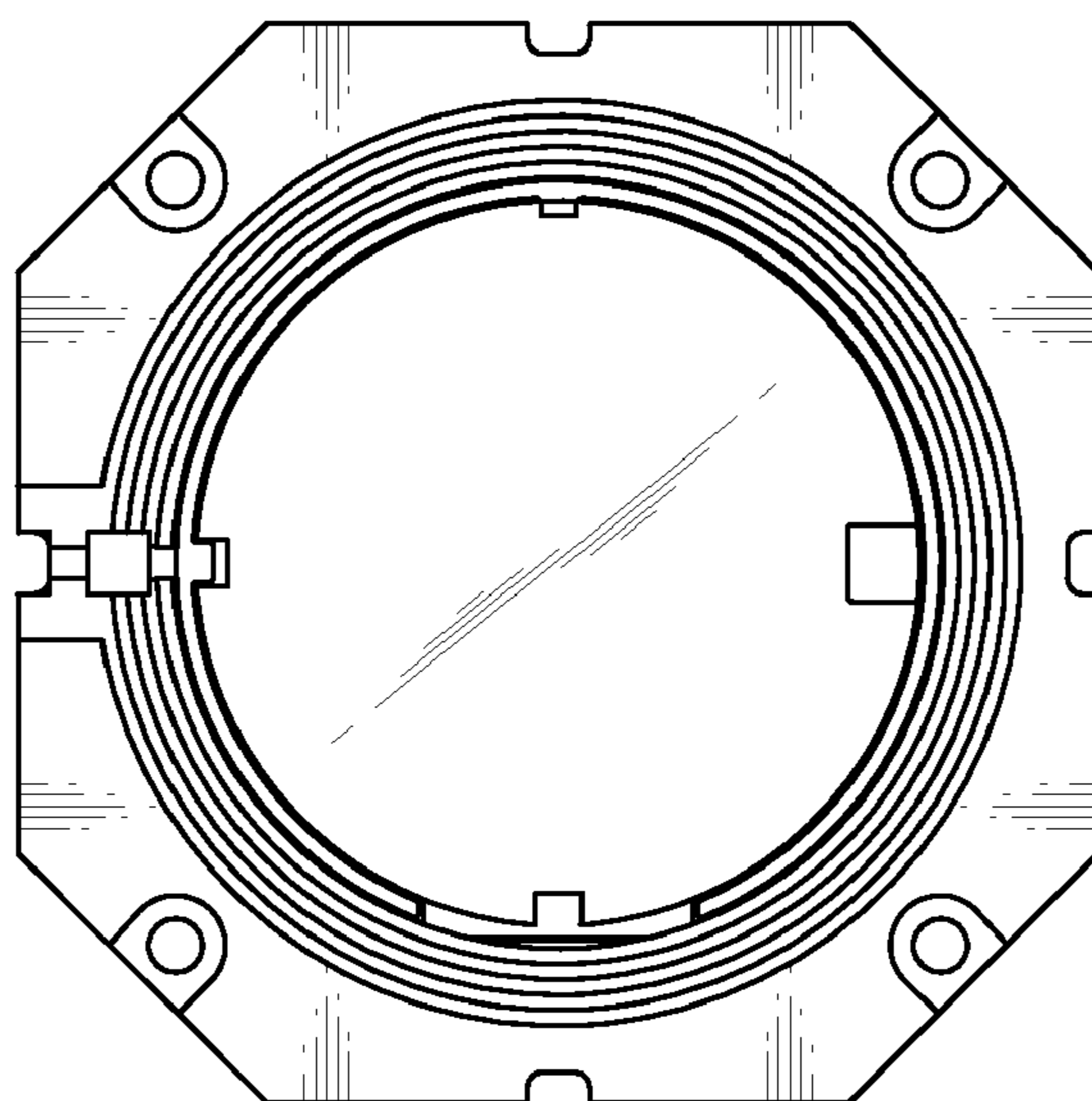


FIG. 7

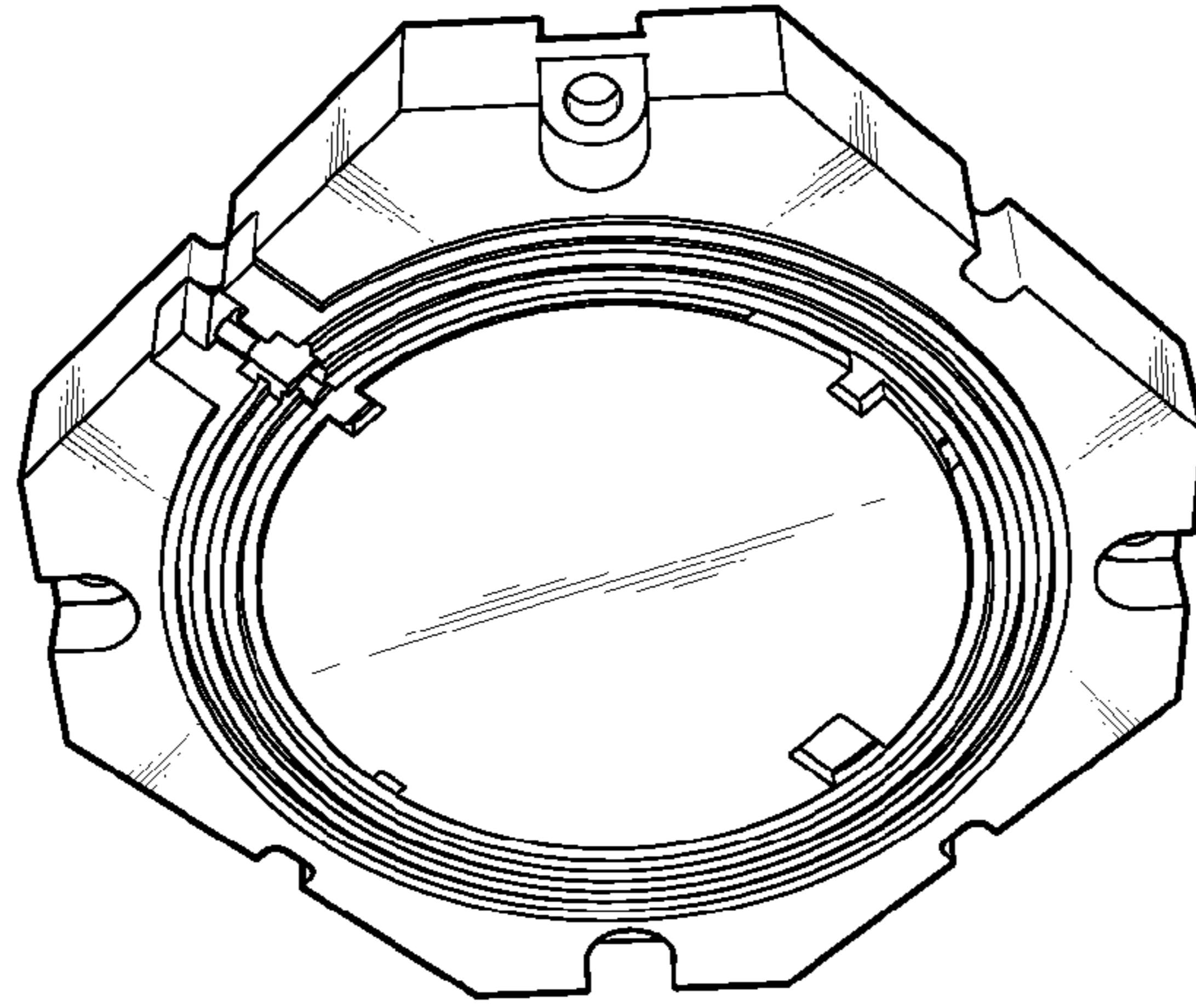


FIG. 8

