

US00D666331S

(12) **United States Design Patent**
Chen

(10) **Patent No.:** **US D666,331 S**

(45) **Date of Patent:** **** Aug. 28, 2012**

(54) **LED LAMP**

(75) **Inventor:** **Wei Rur Chen**, New Taipei (TW)

(73) **Assignee:** **Color Stars, Inc** (TW)

(**) **Term:** **14 Years**

(21) **Appl. No.:** **29/374,932**

(22) **Filed:** **Oct. 26, 2011**

(51) **LOC (9) Cl.** **26-04**

(52) **U.S. Cl.** **D26/2**

(58) **Field of Classification Search** D26/1-4;
313/313, 315, 316, 317, 318, 493; 315/52,
315/53, 56, 57, 58

See application file for complete search history.

(56) **References Cited**

U.S. PATENT DOCUMENTS

D610,274 S * 2/2010 Cho D26/2
D610,722 S * 2/2010 Bi D26/2
D623,777 S * 9/2010 Moon et al. D26/2

D631,569 S * 1/2011 Bobel D26/2
D631,571 S * 1/2011 Bobel D26/2
D649,664 S * 11/2011 Beregszaszi et al. D26/2
D650,496 S * 12/2011 Beregszaszi et al. D26/2
D656,252 S * 3/2012 Engl et al. D26/2

* cited by examiner

Primary Examiner — Marcus Jackson

(57) **CLAIM**

The ornamental design for an LED lamp, as shown and described.

DESCRIPTION

FIG. 1 is a perspective view of an “LED lamp” showing my design;

FIG. 2 is a front plan view thereof;

FIG. 3 is a rear plan view thereof;

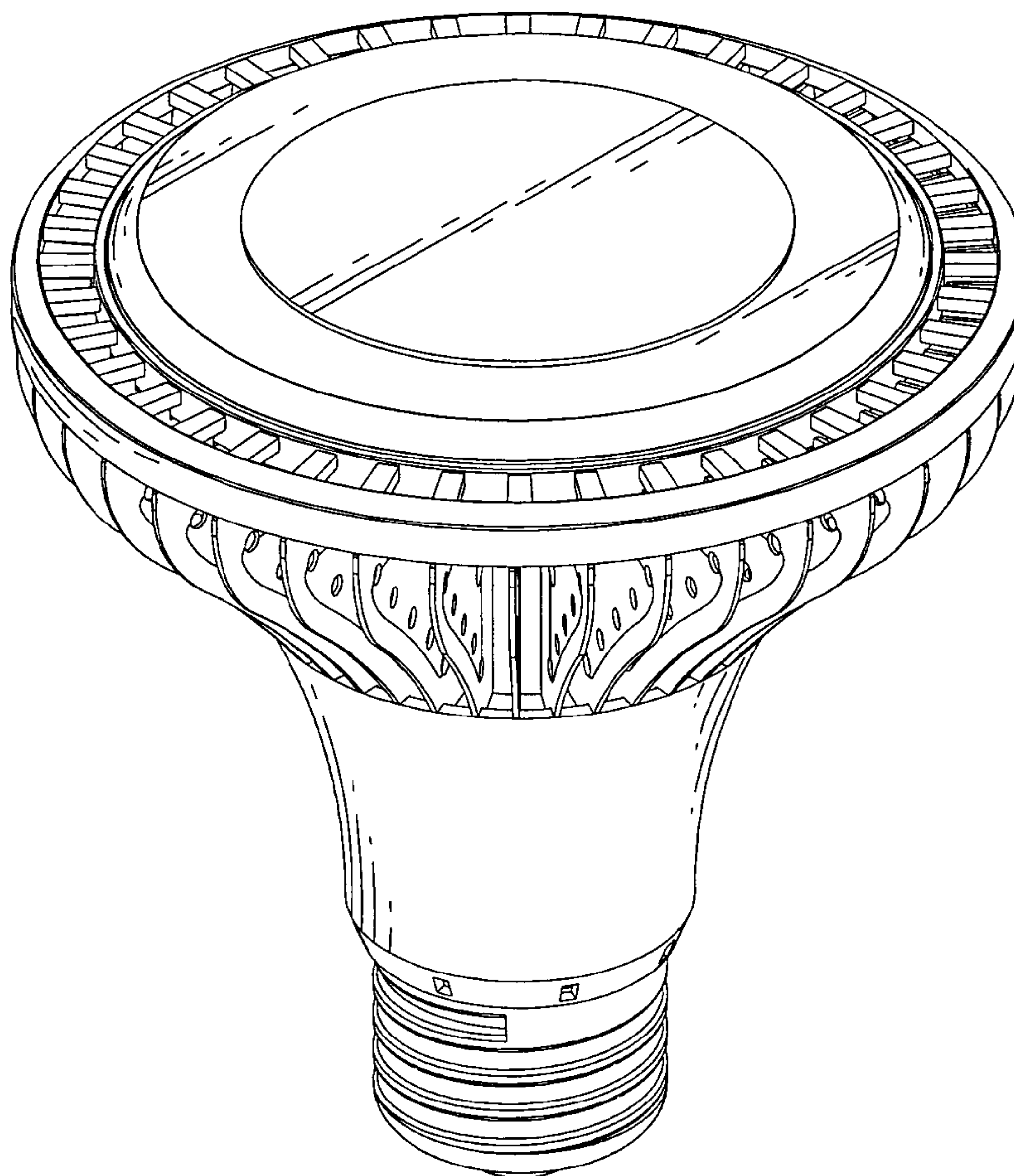
FIG. 4 is a left plan view thereof;

FIG. 5 is a right plan view thereof;

FIG. 6 is a top plan view thereof; and,

FIG. 7 is a bottom plan view thereof.

1 Claim, 4 Drawing Sheets



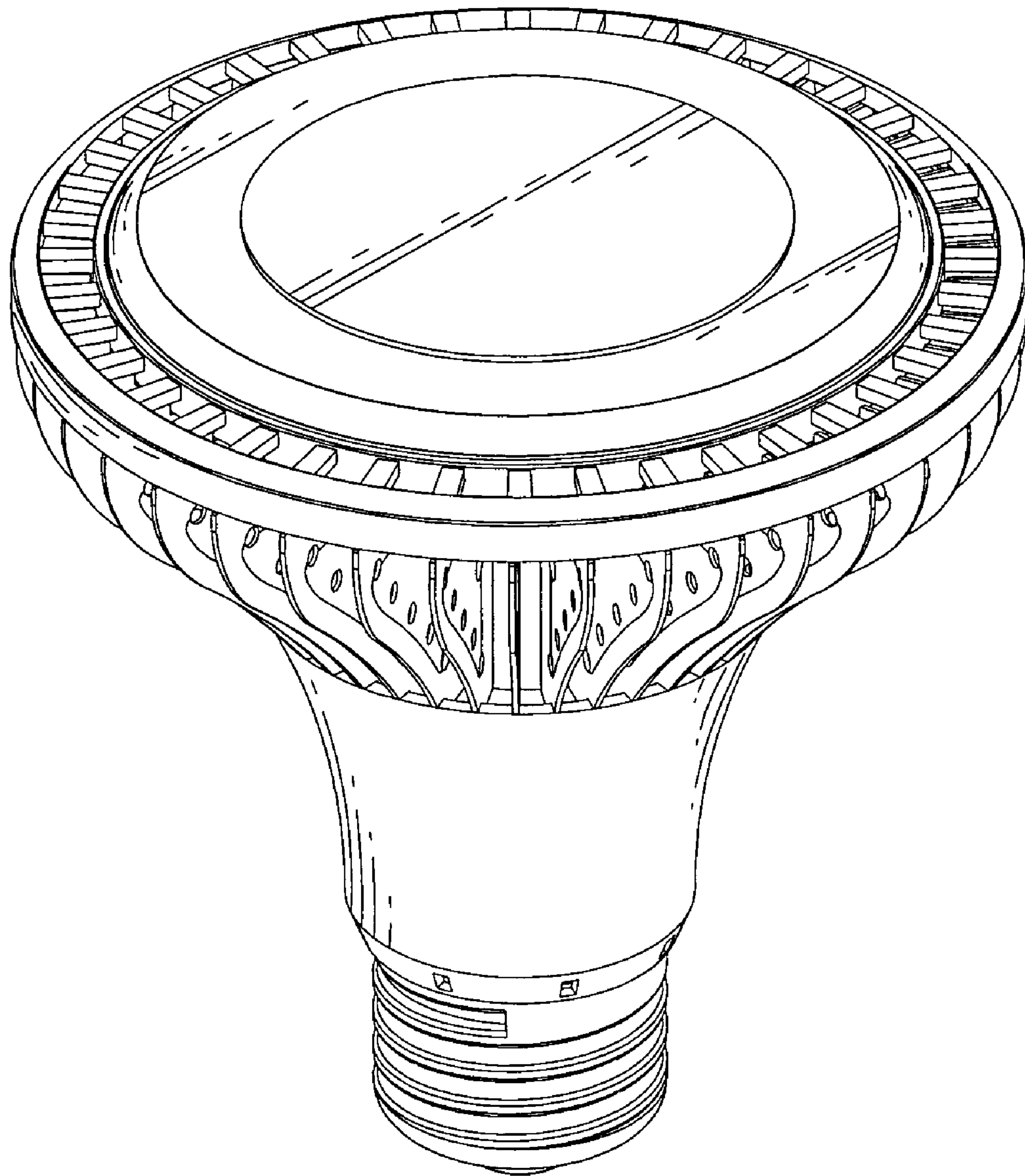


FIG. 1

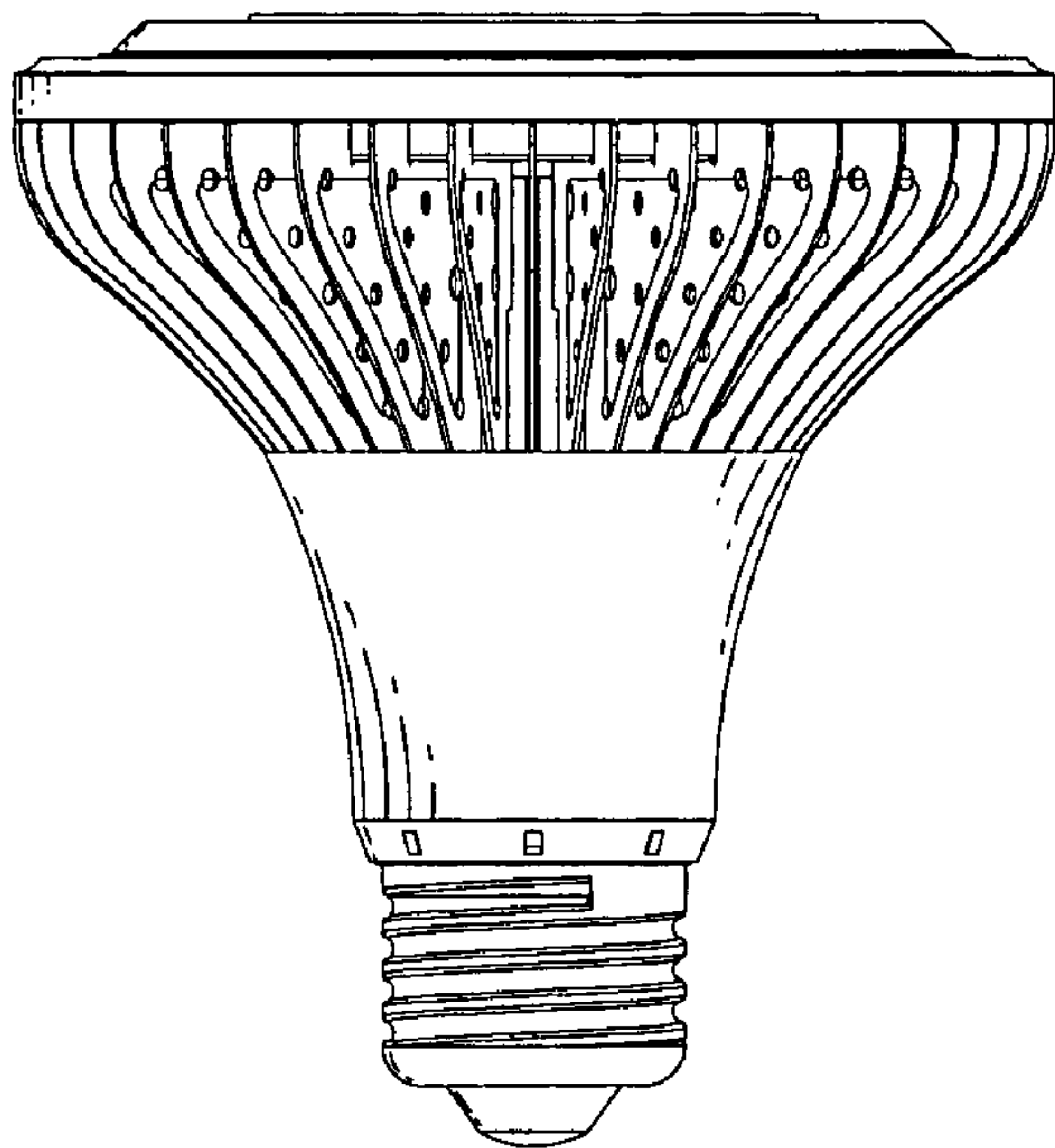


FIG. 2

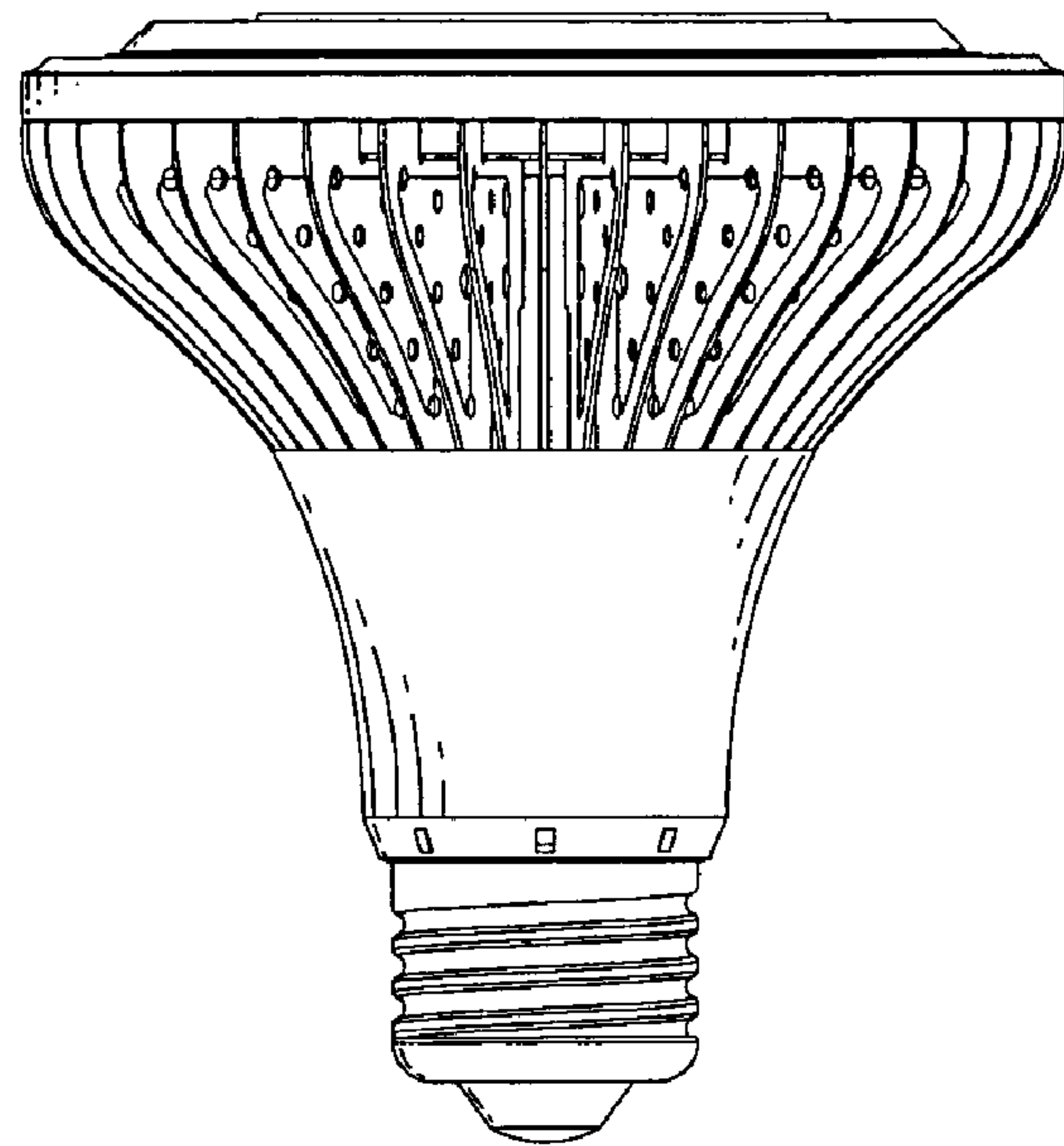


FIG. 3

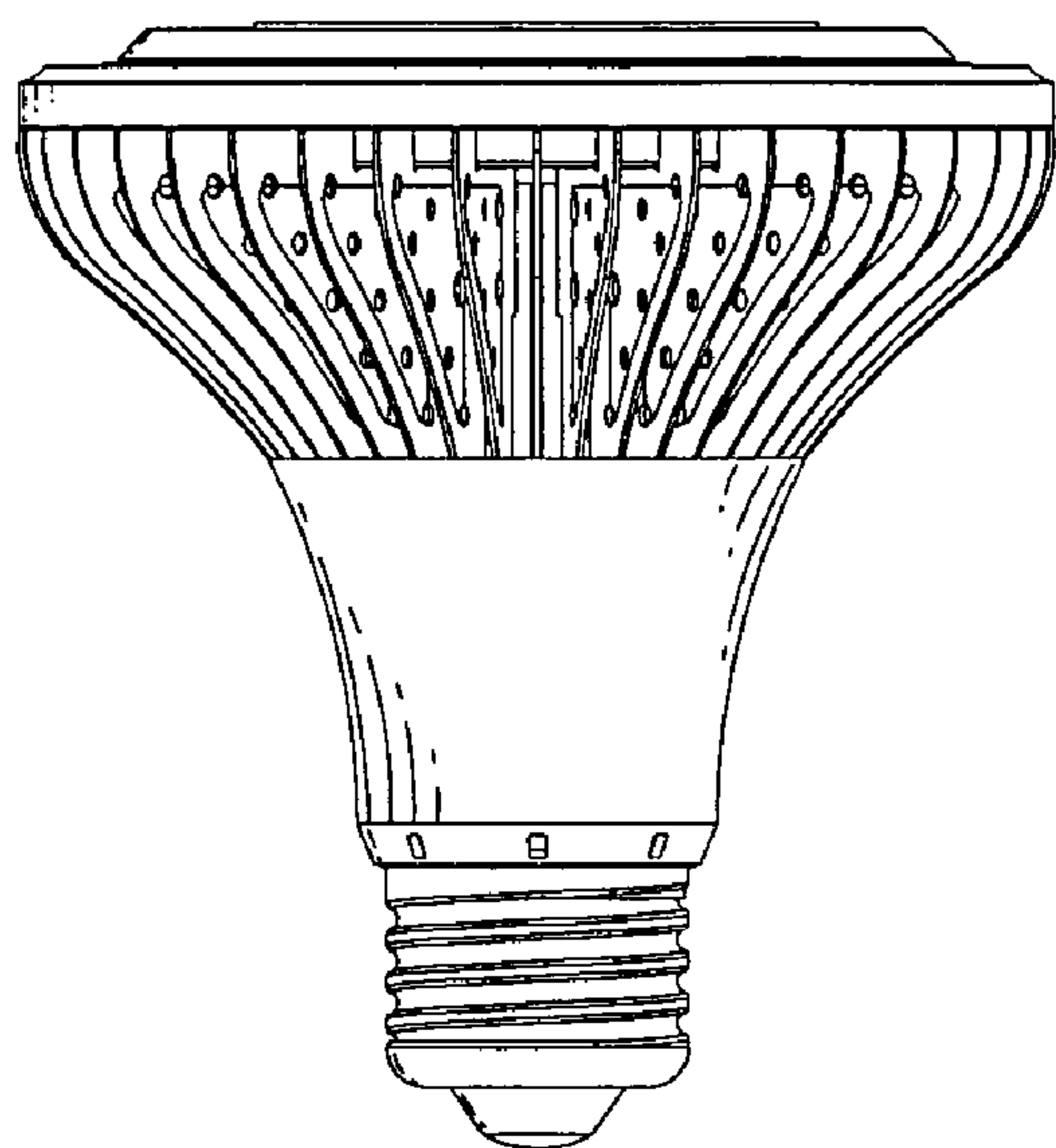


FIG. 4

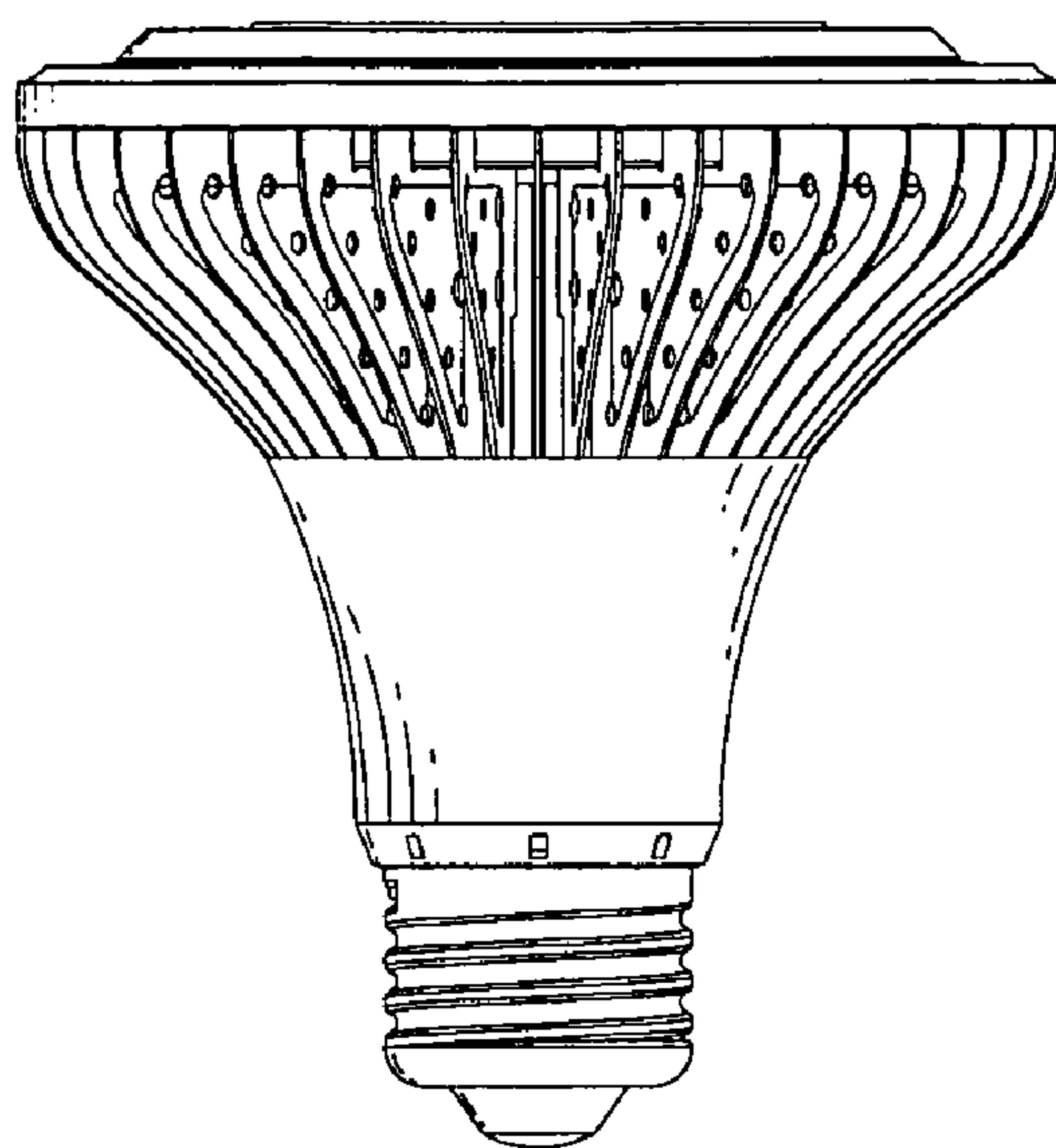


FIG. 5

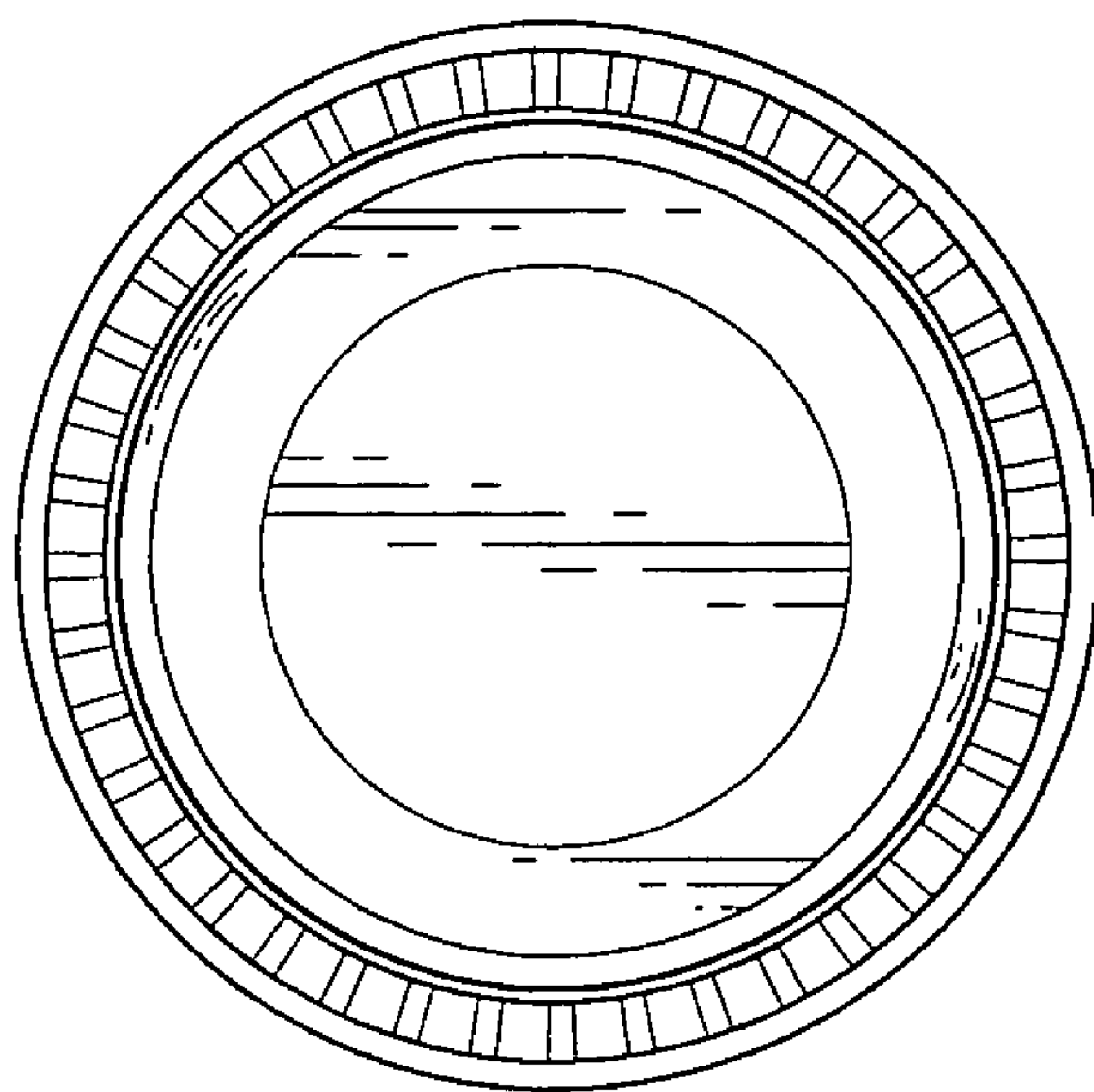


FIG. 6

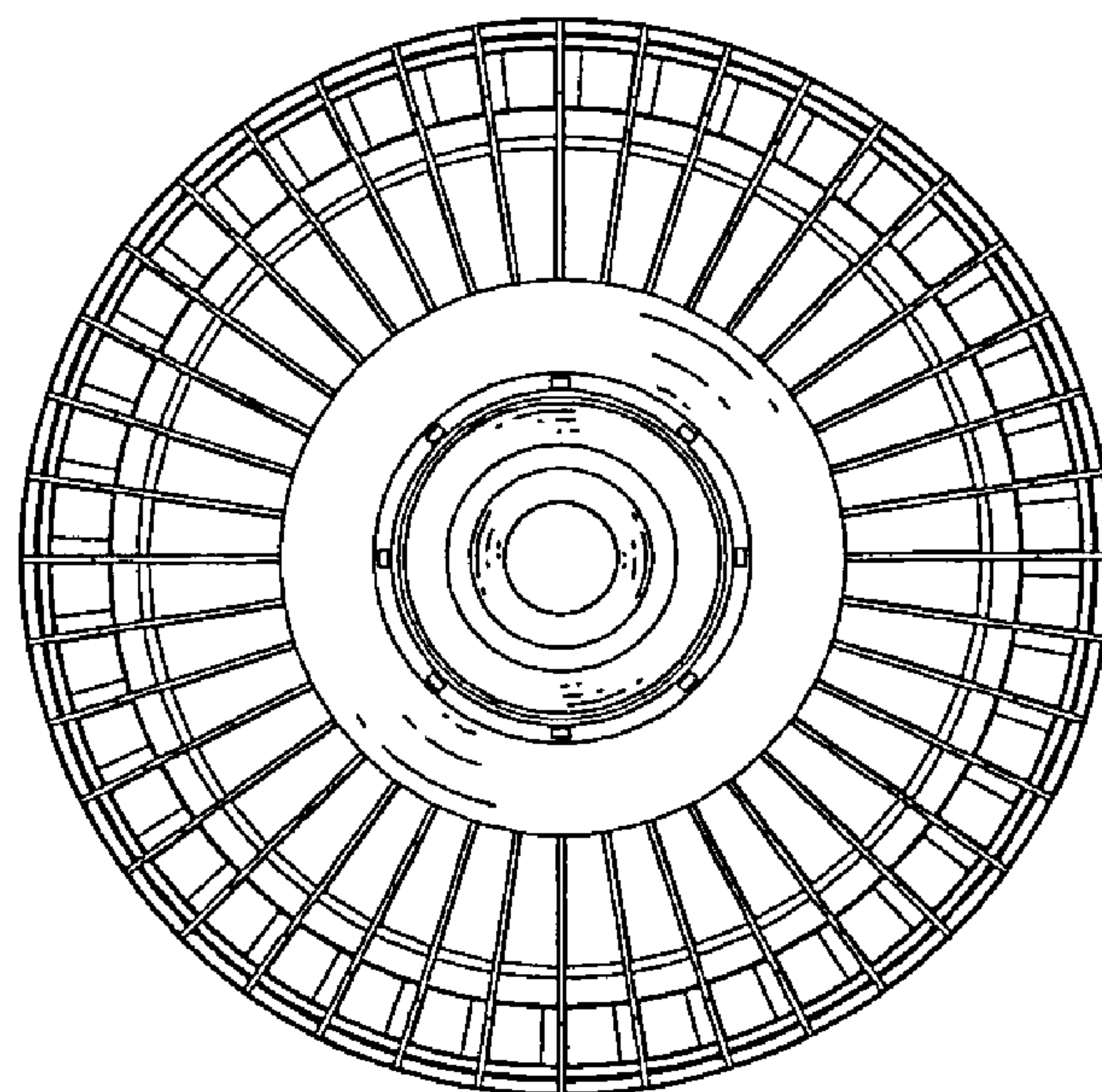


FIG. 7