

US00D666330S

(12) **United States Design Patent**
Stamper

(10) **Patent No.:** **US D666,330 S**

(45) **Date of Patent:** **** Aug. 28, 2012**

(54) **TREE GUARD RAIL**

(75) Inventor: **Anne Stamper**, New York, NY (US)

(73) Assignee: **Curb Allure LLC**, New York, NY (US)

(**) Term: **14 Years**

(21) Appl. No.: **29/417,315**

(22) Filed: **Apr. 2, 2012**

Related U.S. Application Data

(63) Continuation of application No. 13/079,803, filed on Apr. 4, 2011.

(51) **LOC (9) Cl.** **25-01**

(52) **U.S. Cl.** **D25/122; D25/38.1; D25/164; D8/1**

(58) **Field of Classification Search** **D25/38.1, D25/164, 122; 47/32.4, 32.5, 32.7; 256/59, 256/DIG. 6; D8/1**

See application file for complete search history.

(56) **References Cited**

U.S. PATENT DOCUMENTS

D292,474	S	*	10/1987	Young	D8/1
5,323,566	A	*	6/1994	Mills	47/30
D403,929	S	*	1/1999	Evans	D8/1
D518,184	S	*	3/2006	Fitts	D25/38.1
D544,966	S	*	6/2007	Seiling et al.	D25/122
D548,368	S	*	8/2007	Hale et al.	D25/121

* cited by examiner

Primary Examiner — Doris Clark

(74) *Attorney, Agent, or Firm* — Michael Mauriel; Mauriel Kapouytian & Treffert LLP

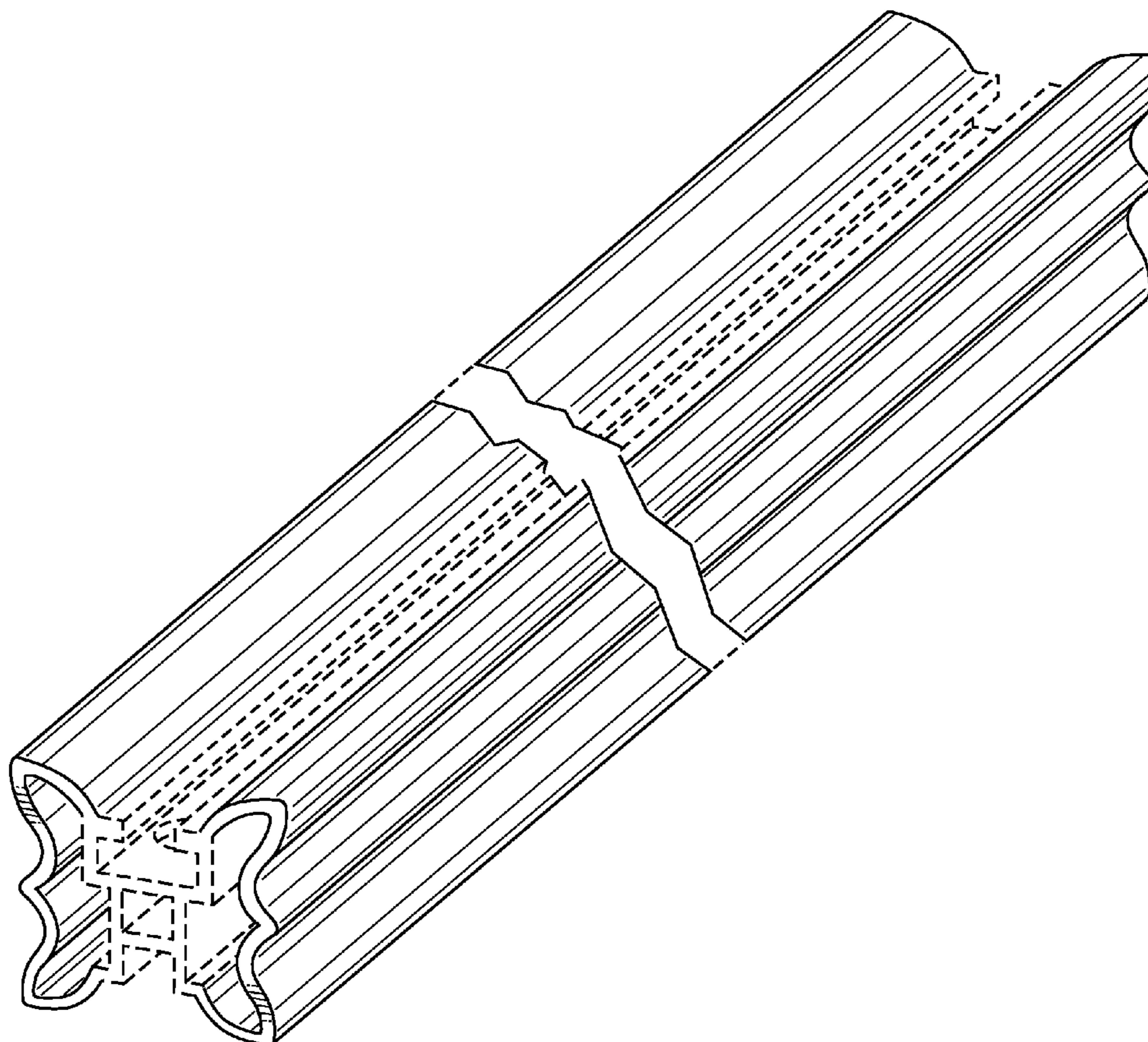
(57) **CLAIM**

The ornamental design for a tree guard rail, as shown and described.

DESCRIPTION

FIG. 1 is a perspective view of a tree guard rail. FIG. 2 is a front view of the embodiment of FIG. 1. FIG. 3 is a top view of the embodiment of FIG. 1. FIG. 4 is a side view of the embodiment of FIG. 1; and, FIG. 5 shows the embodiment of FIG. 1 in the context of use with a portion of a tree guard. The broken lines are for illustrative purposes only and form no part of the claimed design.

1 Claim, 3 Drawing Sheets



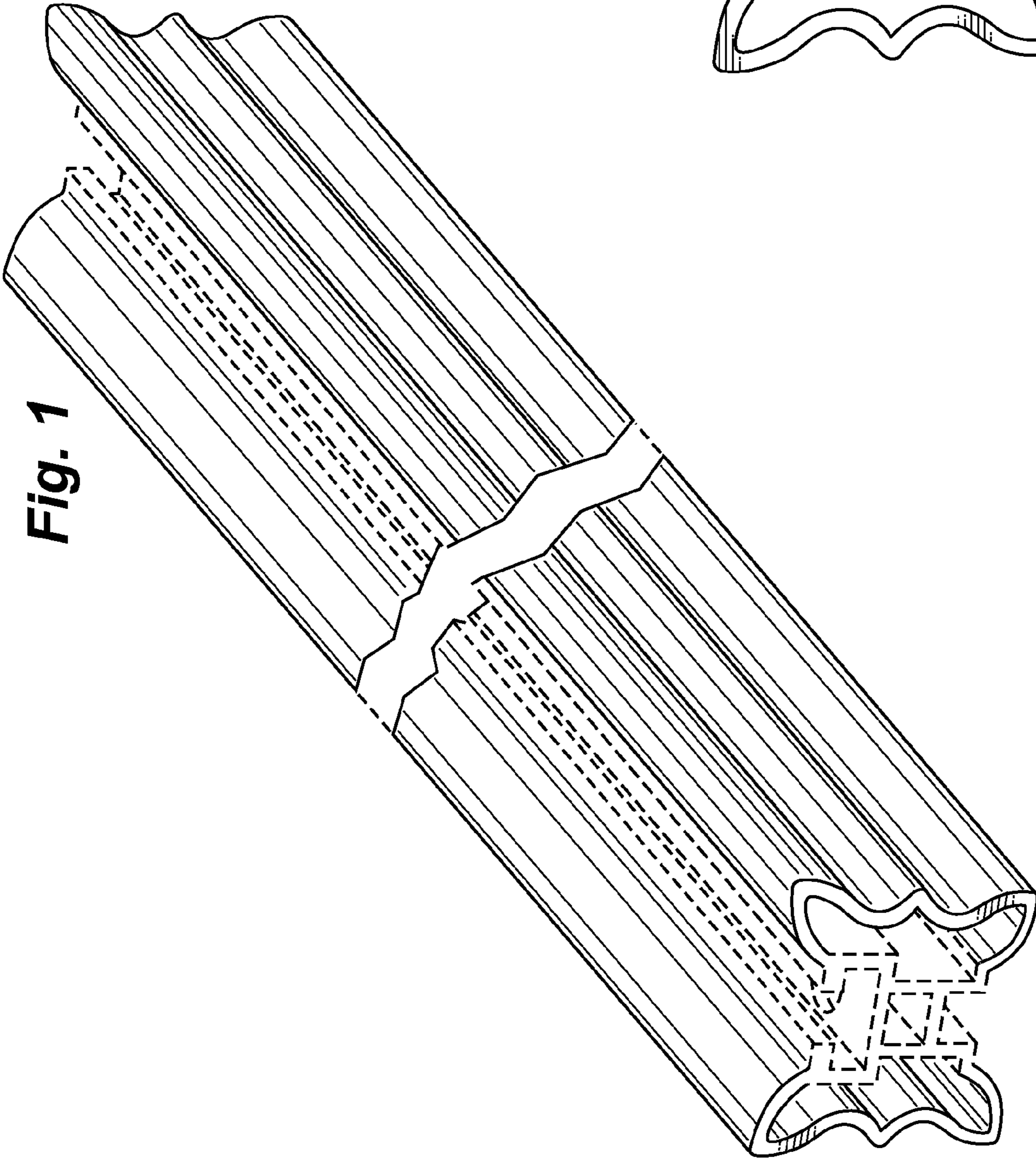


Fig. 1

Fig. 2

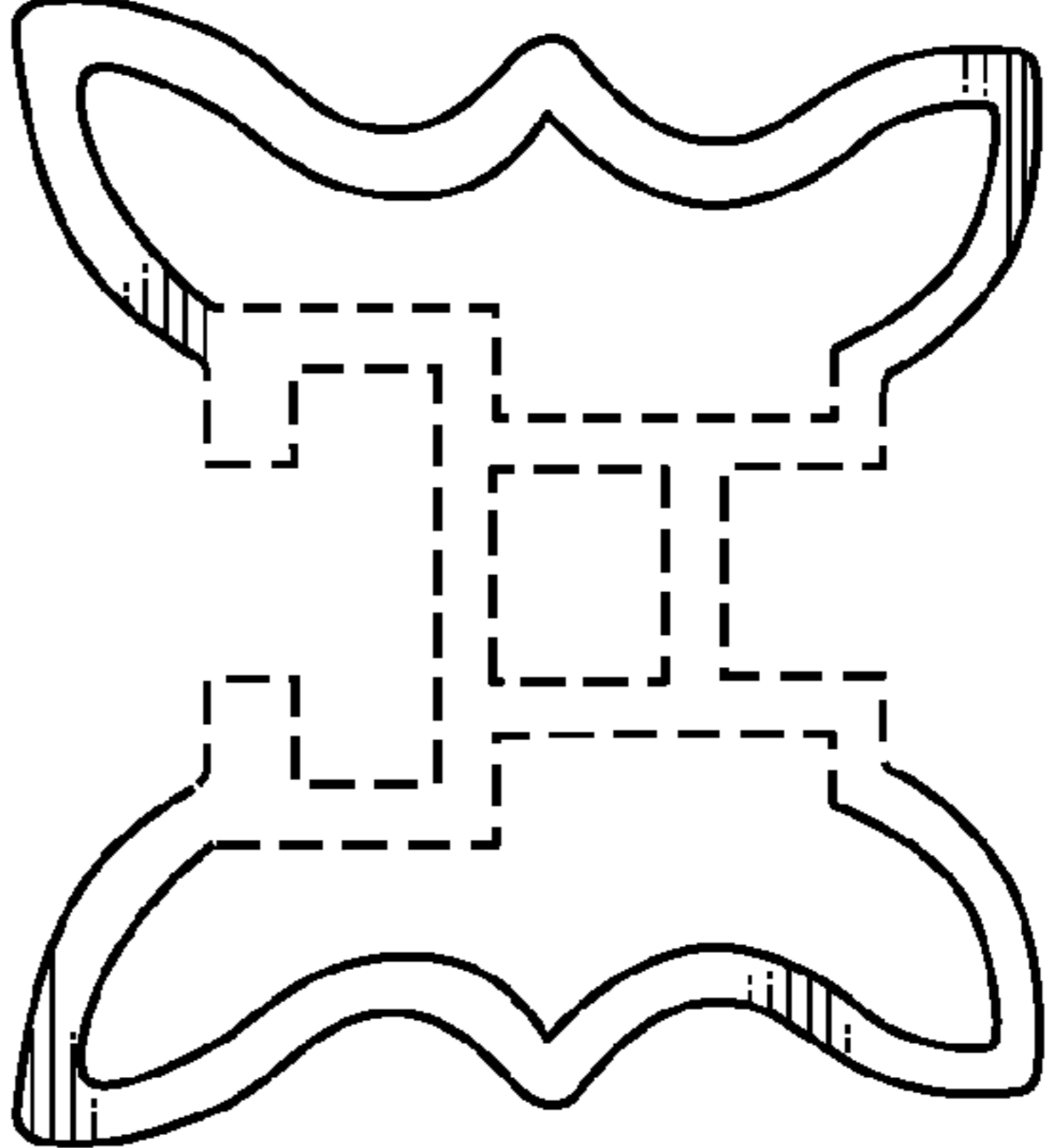


Fig. 3

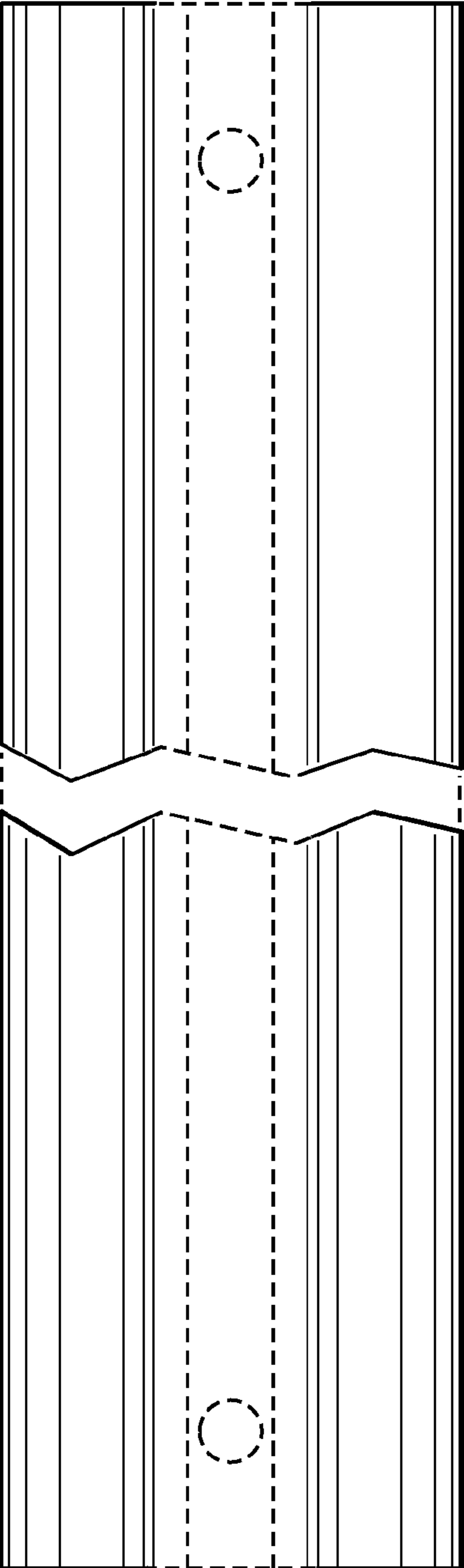


Fig. 4

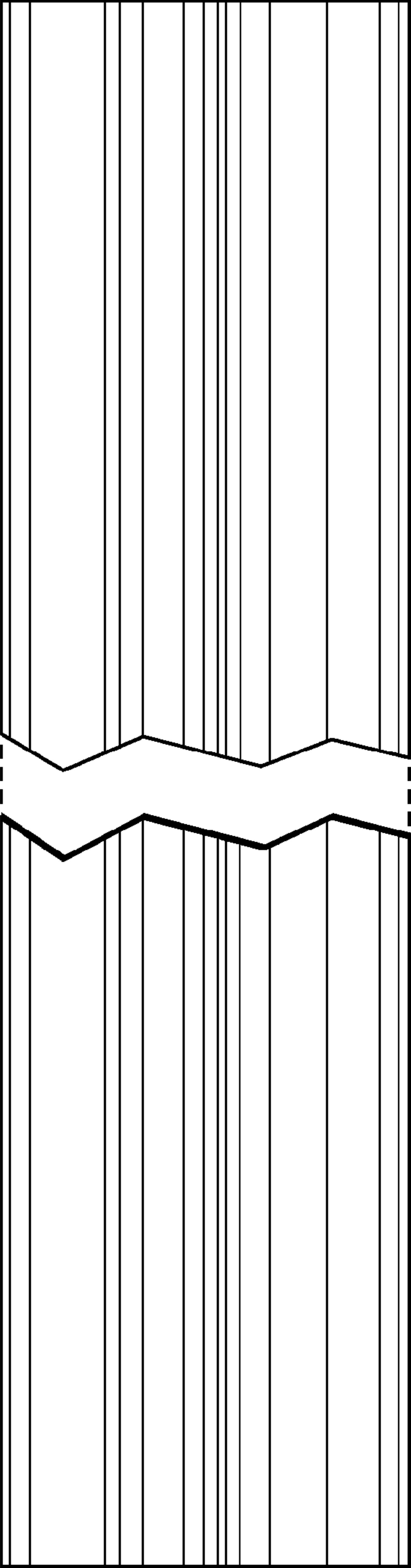


Fig. 5

