

US00D666323S

(12) **United States Design Patent**  
**Morton**

(10) **Patent No.:** **US D666,323 S**

(45) **Date of Patent:** **\*\* Aug. 28, 2012**

(54) **WINDOW SASH FRAME REINFORCEMENT EXTRUSION**

(75) Inventor: **Jonathan G. Morton**, Carlisle, OH (US)

(73) Assignee: **Deceuninck North America, LLC**,  
Monroe, OH (US)

(\*\*) Term: **14 Years**

(21) Appl. No.: **29/374,567**

(22) Filed: **Sep. 1, 2011**

(51) **LOC (9) Cl.** ..... **25-01**

(52) **U.S. Cl.** ..... **D25/119**

(58) **Field of Classification Search** ..... D25/119,  
D25/121, 122; 49/DIG. 2, 181, 504, 395;  
52/204.5, 656.6, 204.1, 204.55, 214, 309.2  
See application file for complete search history.

(56) **References Cited**

U.S. PATENT DOCUMENTS

3,815,285 A \* 6/1974 Kuyper ..... 49/501  
5,570,548 A \* 11/1996 Hopper ..... 52/204.5  
D412,756 S \* 8/1999 McGee et al. .... D25/121

D448,862 S \* 10/2001 Kieffer ..... D25/121  
D463,043 S \* 9/2002 Edger ..... D25/119  
D501,564 S \* 2/2005 Kuramochi ..... D25/122  
D504,959 S \* 5/2005 Cole ..... D25/119  
D536,101 S \* 1/2007 Schrader ..... D25/119  
7,571,568 B2 \* 8/2009 Ito et al. .... 49/181  
7,779,577 B2 \* 8/2010 Zayac ..... 49/395  
2004/0231255 A1 \* 11/2004 Silverman ..... 52/204.6  
2009/0146436 A1 \* 6/2009 Lindgren et al. .... 292/198

\* cited by examiner

*Primary Examiner* — Doris Clark

(74) *Attorney, Agent, or Firm* — Jacox, Meckstroth & Jenkins

(57) **CLAIM**

The ornamental design for a window sash frame reinforcement extrusion, as shown and described.

**DESCRIPTION**

FIG. 1 is a perspective view of a window sash frame reinforcement extrusion, showing my new design, with a middle portion broken away to disclose indefinite length; and, FIG. 2 is an end view thereof, the opposite end view being the same.

**1 Claim, 1 Drawing Sheet**

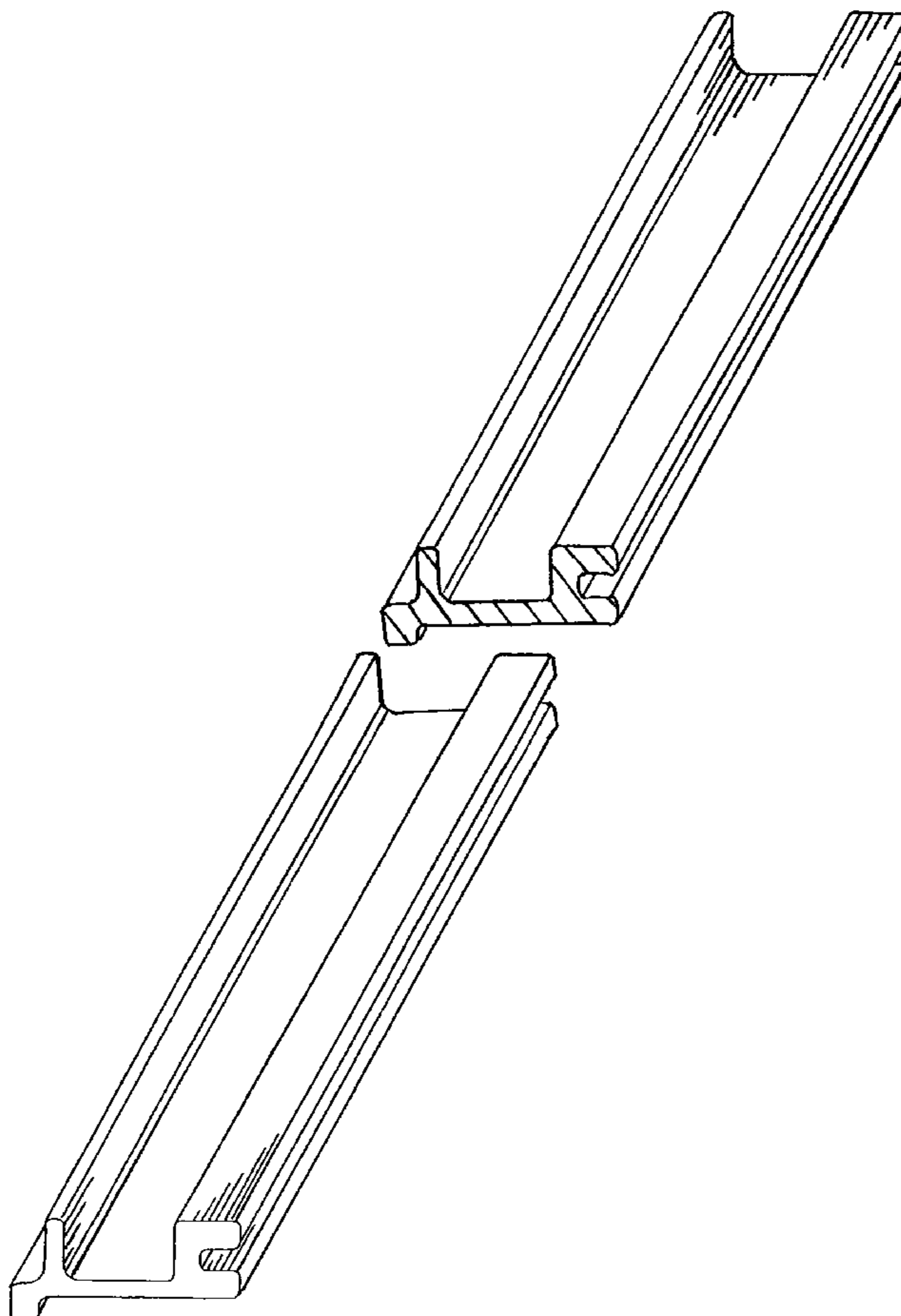


FIG. 1

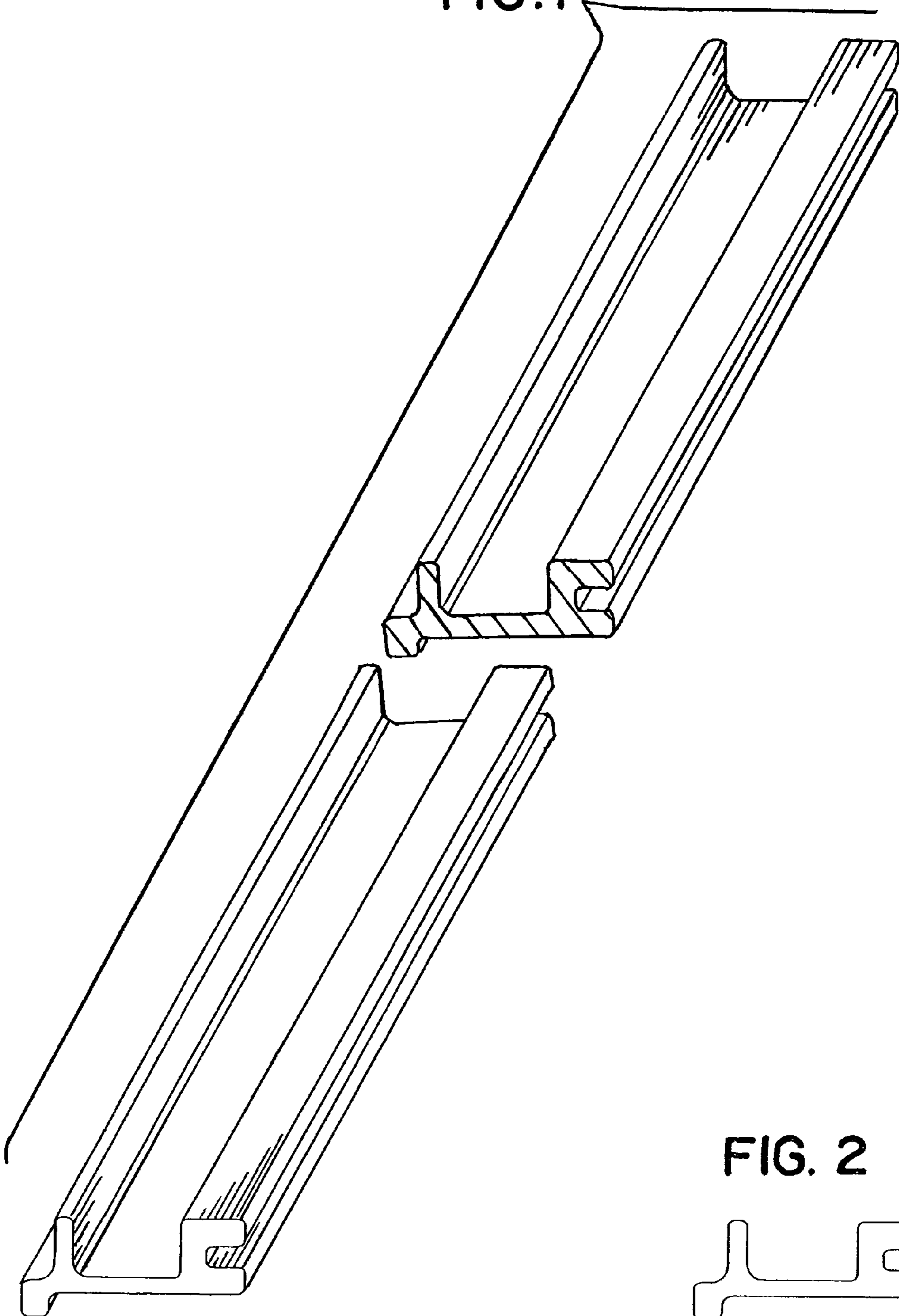


FIG. 2

