

US00D666307S

(12) **United States Design Patent**  
**Lundh**

(10) **Patent No.:** **US D666,307 S**

(45) **Date of Patent:** **\*\* Aug. 28, 2012**

(54) **CHILD SAFETY GATE**

(76) Inventor: **Joran Lundh**, Hong Kong (CN)

(\*\*) Term: **14 Years**

(21) Appl. No.: **29/404,183**

(22) Filed: **Oct. 17, 2011**

(51) **LOC (9) Cl.** ..... **25-01**

(52) **U.S. Cl.** ..... **D25/48.1**

(58) **Field of Classification Search** ..... D25/38.1-39,  
D25/48.5; 256/73, 24-25; 49/34-35, 38;  
D6/332

See application file for complete search history.

(56) **References Cited**

**U.S. PATENT DOCUMENTS**

D242,100 S \* 11/1976 Casey ..... D25/38.1

D620,129 S \* 7/2010 Lundh ..... D25/48.5

D621,957 S \* 8/2010 Lundh et al. .... D25/48.5

\* cited by examiner

*Primary Examiner* — Robert Delehanty

(74) *Attorney, Agent, or Firm* — Polster, Lieder, Woodruff & Lucchesi, L.C.

(57) **CLAIM**

The ornamental design for child safety gate, as shown and described.

**DESCRIPTION**

FIG. 1 is a perspective view of a child safety gate of the present design;

FIG. 2 is a bottom perspective view of the child safety gate;

FIG. 3 is a left side elevational view of the child safety gate;

FIG. 4 is a right side elevational view of the child safety gate;

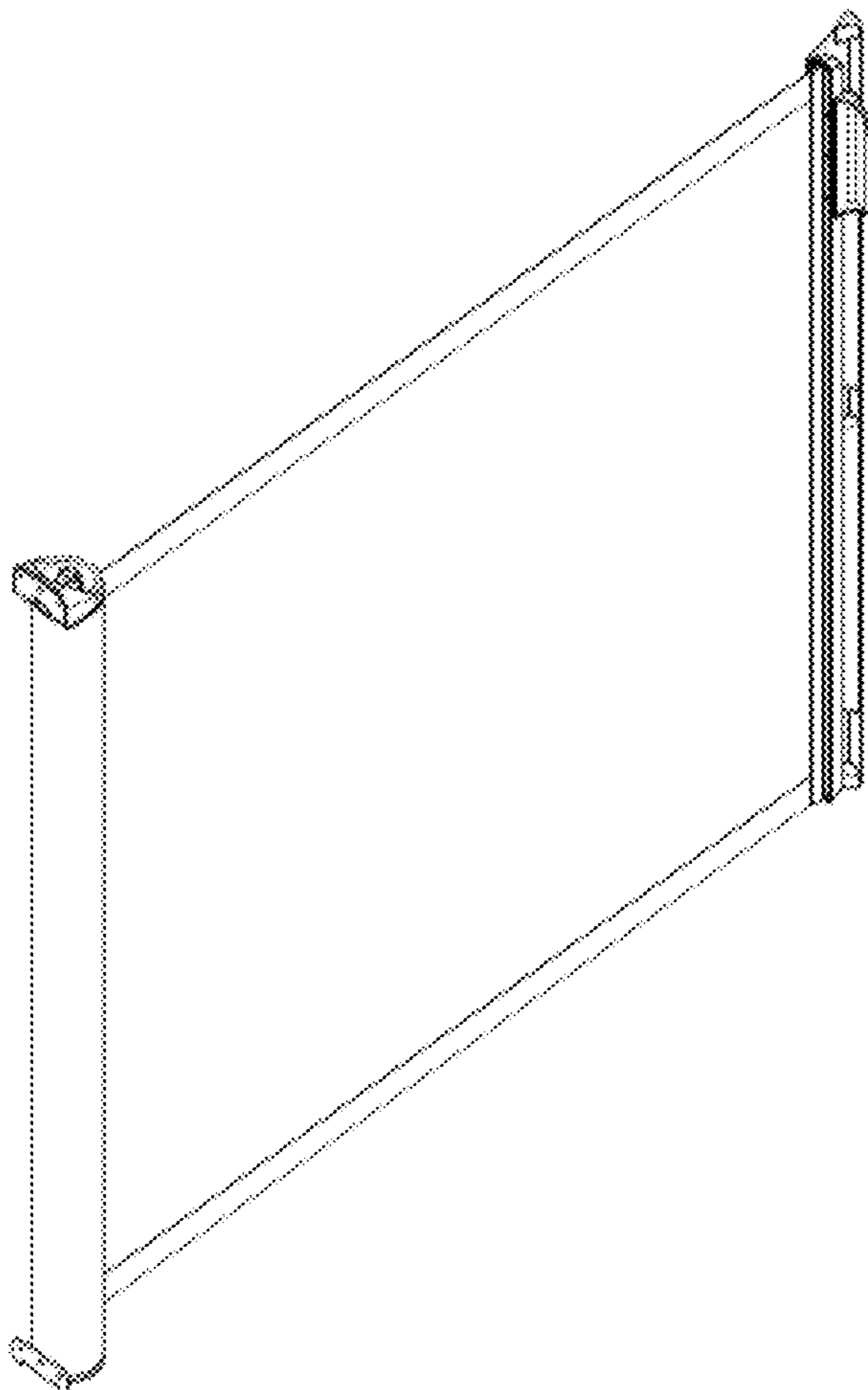
FIG. 5 is a front elevational view of the child safety gate;

FIG. 6 is a rear elevational view of the child safety gate;

FIG. 7 is a top plan view of the child safety gate; and,

FIG. 8 is a bottom plan view of the child safety gate.

**1 Claim, 5 Drawing Sheets**



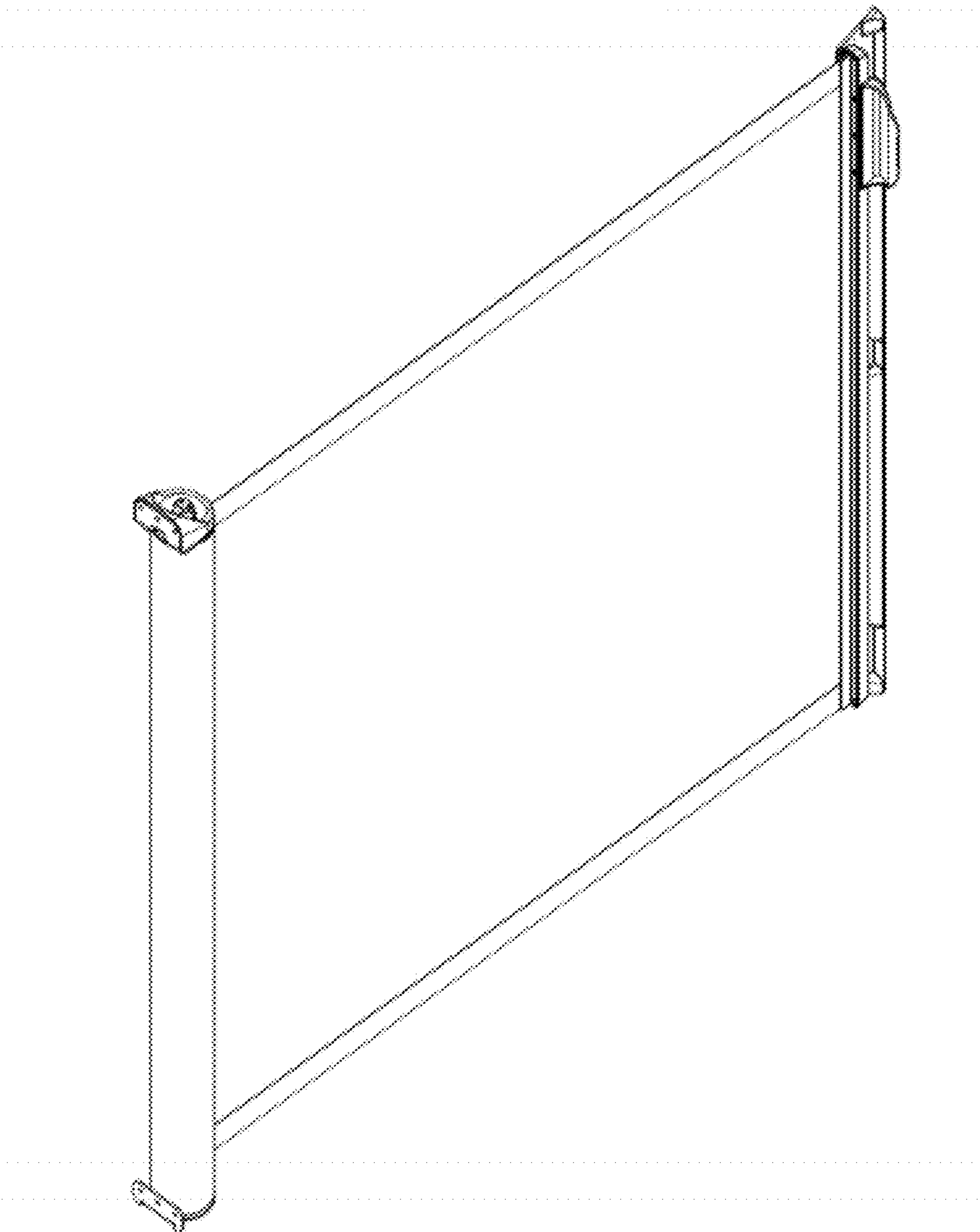


FIG. 1

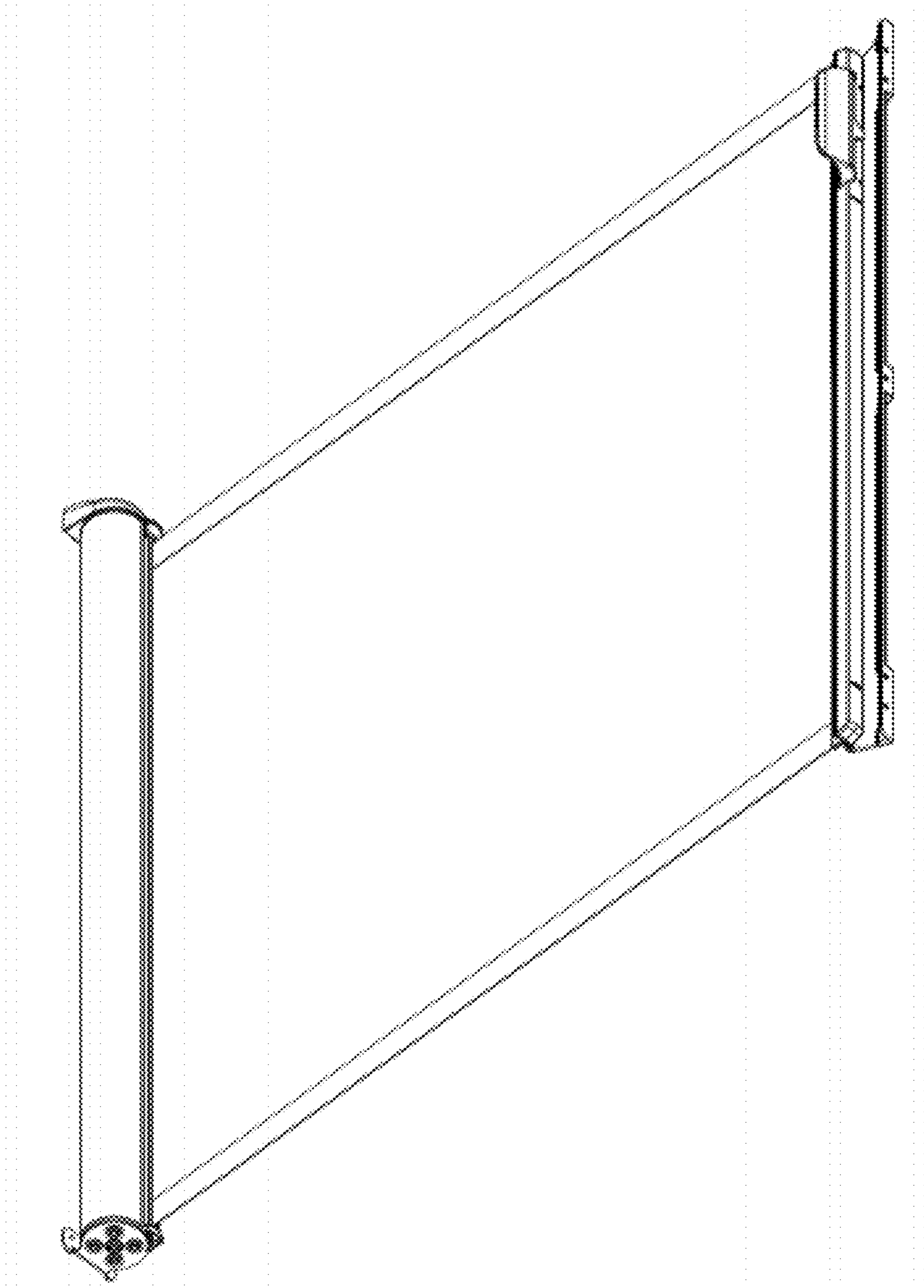


FIG. 2

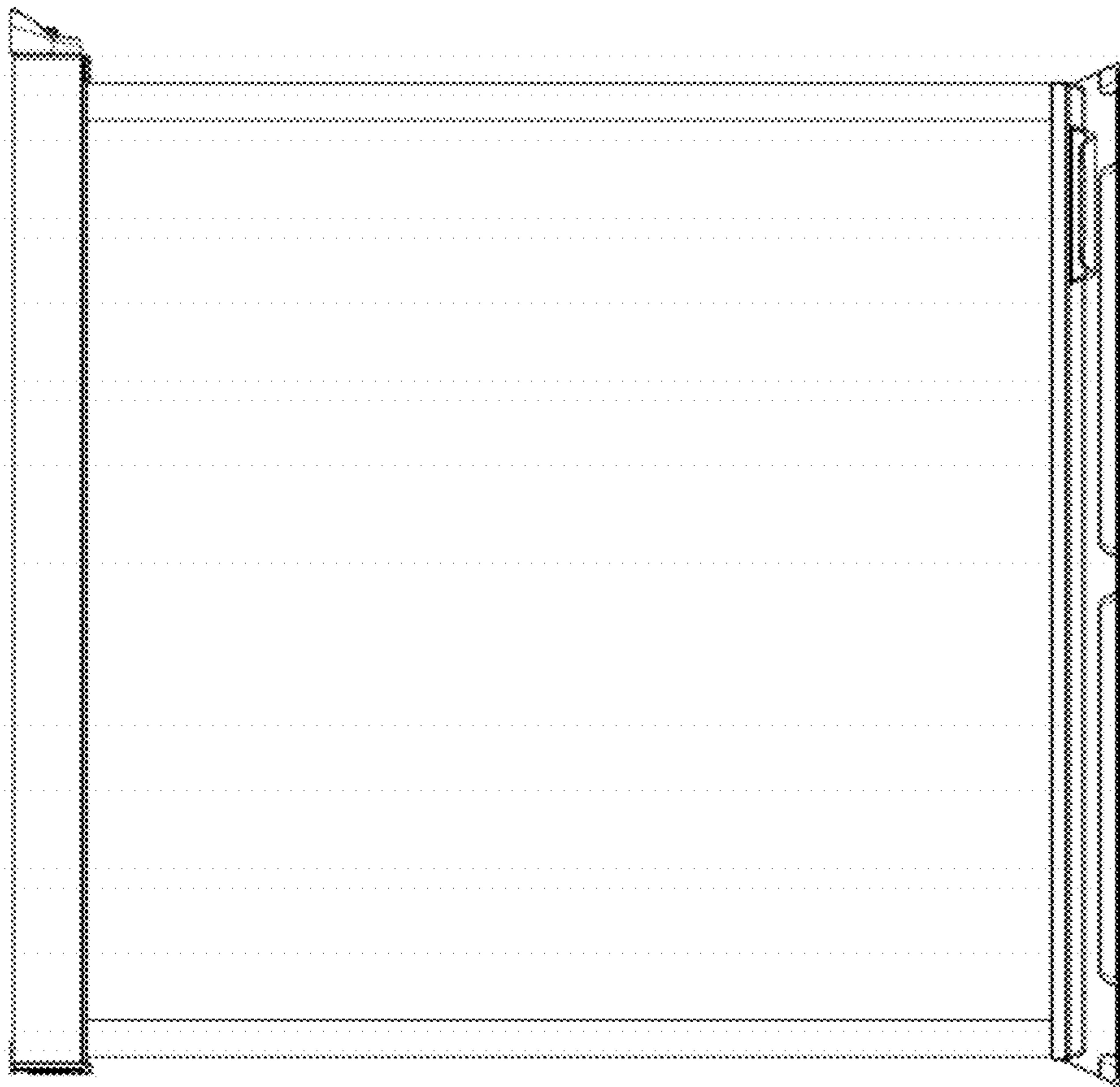


FIG. 3

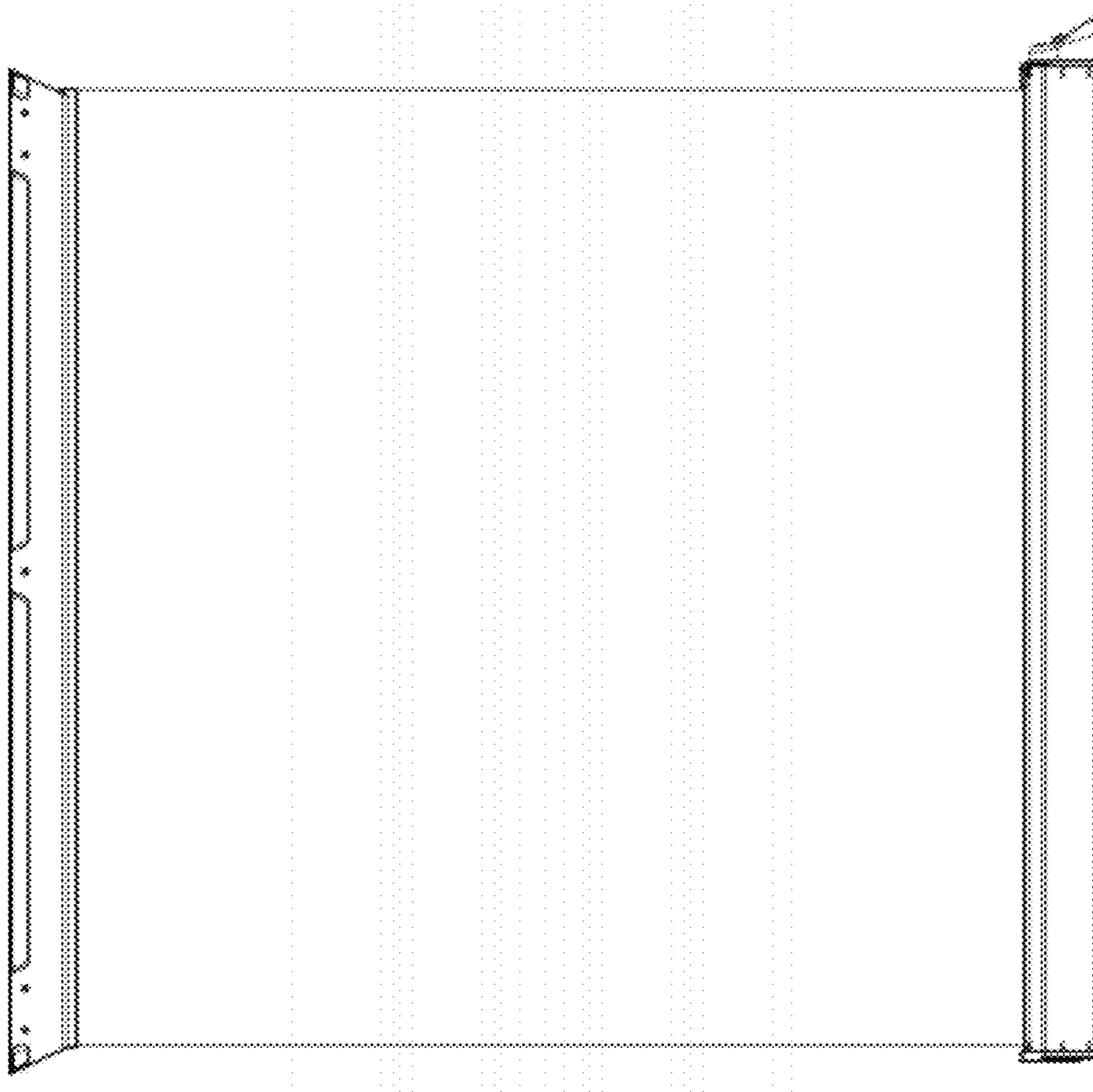


FIG. 4



FIG. 5

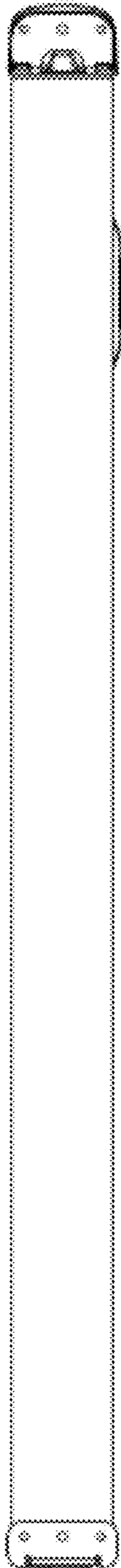


FIG. 6

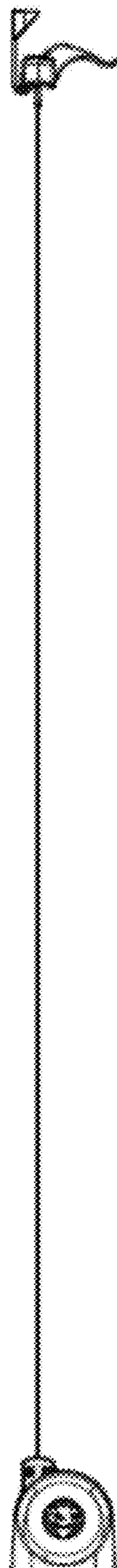


FIG. 7

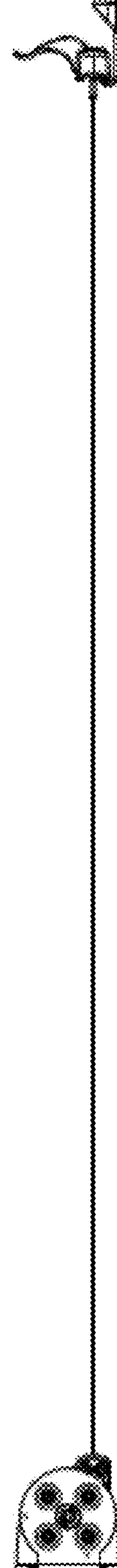


FIG. 8