



US00D666306S

(12) **United States Design Patent**  
**Belue et al.**

(10) **Patent No.:** **US D666,306 S**

(45) **Date of Patent:** **\*\* \*Aug. 28, 2012**

(54) **MANHOLE COVER**

(75) Inventors: **Garth E Belue**, Katy, TX (US); **Thomas D Chapman**, Houston, TX (US)

(73) Assignee: **Pelican Worldwide, Inc.**, Houston, TX (US)

(\*) Notice: This patent is subject to a terminal disclaimer.

(\*\*) Term: **14 Years**

(21) Appl. No.: **29/402,300**

(22) Filed: **Sep. 22, 2011**

(51) **LOC (9) Cl.** ..... **25-01**

(52) **U.S. Cl.** ..... **D25/36**

(58) **Field of Classification Search** ..... D25/1-33;  
D9/435, 454; D21/443; D23/260; 404/25-26;  
49/33, 49; 52/19, 20

See application file for complete search history.

(56) **References Cited**

**U.S. PATENT DOCUMENTS**

147,438	A *	2/1874	Sharts	.....	404/25
D30,633	S *	4/1899	Greger	.....	D25/36
D30,697	S *	5/1899	Greger	.....	D25/36
D30,805	S *	5/1899	Greger	.....	D25/36
D30,806	S *	5/1899	Greger	.....	D25/36
D30,807	S *	5/1899	Greger	.....	D25/36
D30,809	S *	5/1899	Greger	.....	D25/36
D30,810	S *	5/1899	Greger	.....	D25/36
D30,812	S *	5/1899	Greger	.....	D25/36
1,508,285	A *	9/1924	Leech	.....	220/210
2,156,166	A *	4/1939	Smith	.....	220/243
2,346,361	A *	4/1944	Cupido	.....	52/21
3,012,375	A *	12/1961	Wasserman	.....	52/22
D210,826	S *	4/1968	Kalser et al.	.....	D23/260
D232,703	S *	9/1974	Konzi	.....	D9/424
4,222,366	A *	9/1980	Acker	.....	126/565

4,709,723	A *	12/1987	Sidaway et al.	.....	137/584
D301,156	S *	5/1989	Bullard	.....	D21/405
5,484,159	A *	1/1996	Dean et al.	.....	473/588
5,852,901	A *	12/1998	Meyers	.....	52/20
D414,823	S *	10/1999	Gardner	.....	D21/443
D428,658	S *	7/2000	Glab et al.	.....	D25/36
D428,999	S *	8/2000	Glab et al.	.....	D25/36

(Continued)

*Primary Examiner* — Eric Goodman

(74) *Attorney, Agent, or Firm* — The Compton Law Firm, P.C.; Scott D. Compton

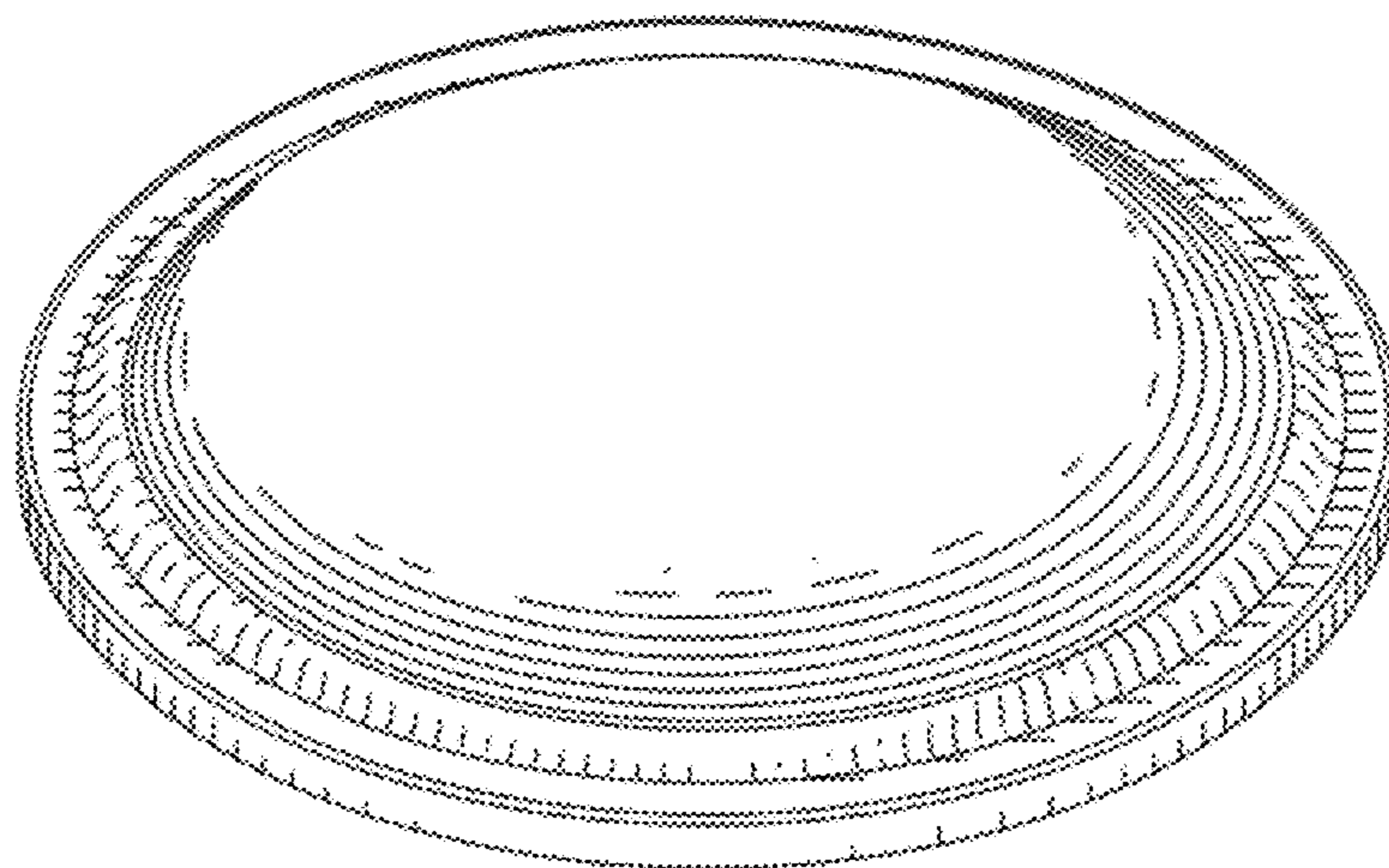
(57) **CLAIM**

The ornamental design for a manhole cover, as shown and described.

**DESCRIPTION**

FIG. 1 is a top perspective view of a manhole cover showing our new design;  
 FIG. 2 is a top view of the same;  
 FIG. 3 is a bottom view of the same;  
 FIG. 4 is a front view of the same;  
 FIG. 5 is a back view of the same;  
 FIG. 6 is a right side view of the same;  
 FIG. 7 is a left side view of the same;  
 FIG. 8 is a front sectional view of the same;  
 FIG. 9 is a top perspective view of the same;  
 FIG. 10 is a bottom perspective view of the same;  
 FIG. 11 is a front sectional view of the same;  
 FIG. 12 is a bottom perspective view of the same; and,  
 FIG. 13 is top perspective environmental view of the same.  
 The broken lines of the various views, namely the handle, eye bolt brackets, and hinge bracket of FIGS. 9, 10, 12 and 13, the channel wall of FIGS. 11 and 12, and the tank container of FIG. 13 are included for the purpose of illustrating environmental structure that forms no part of the claimed design.

**1 Claim, 7 Drawing Sheets**



# US D666,306 S

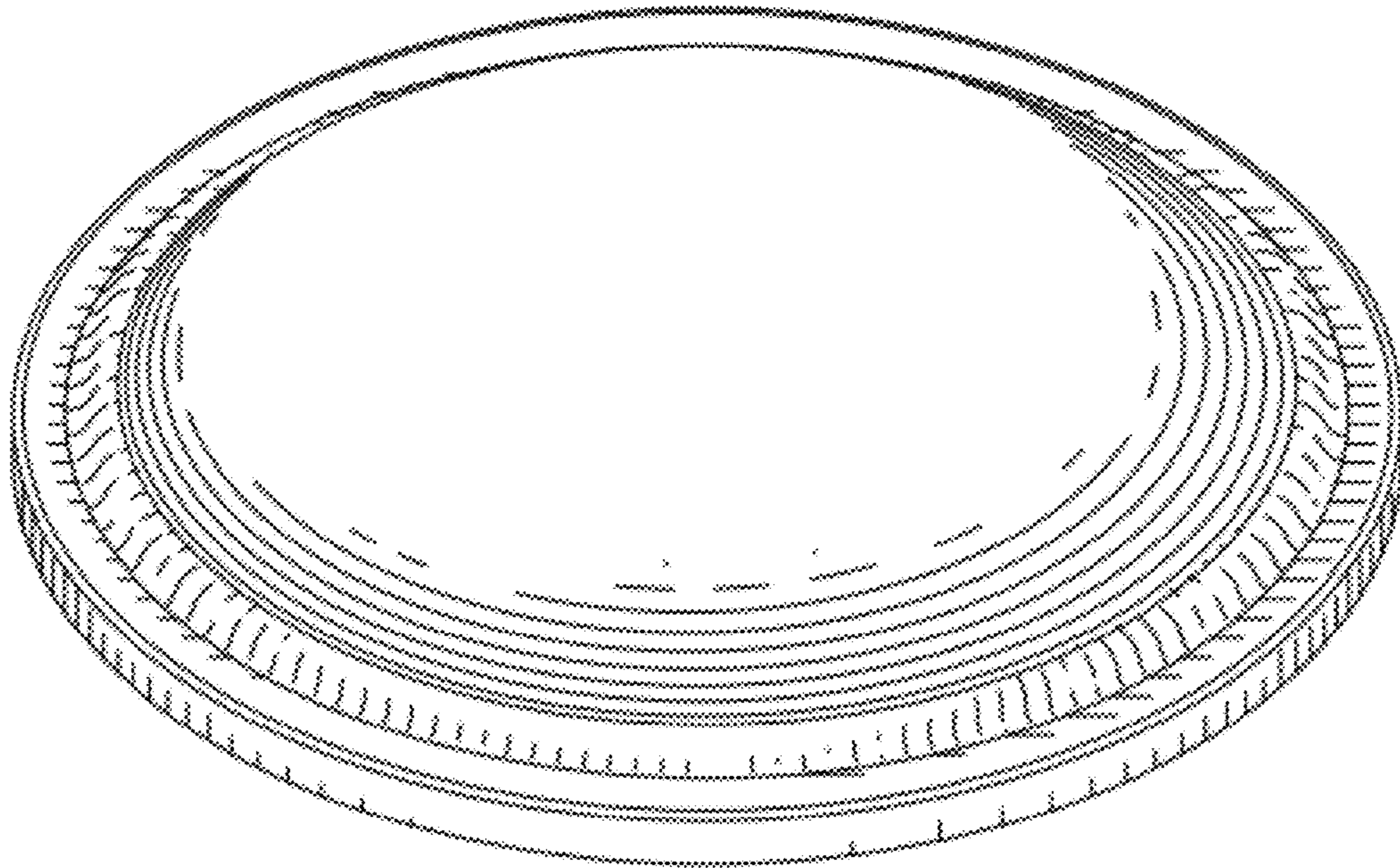
Page 2

---

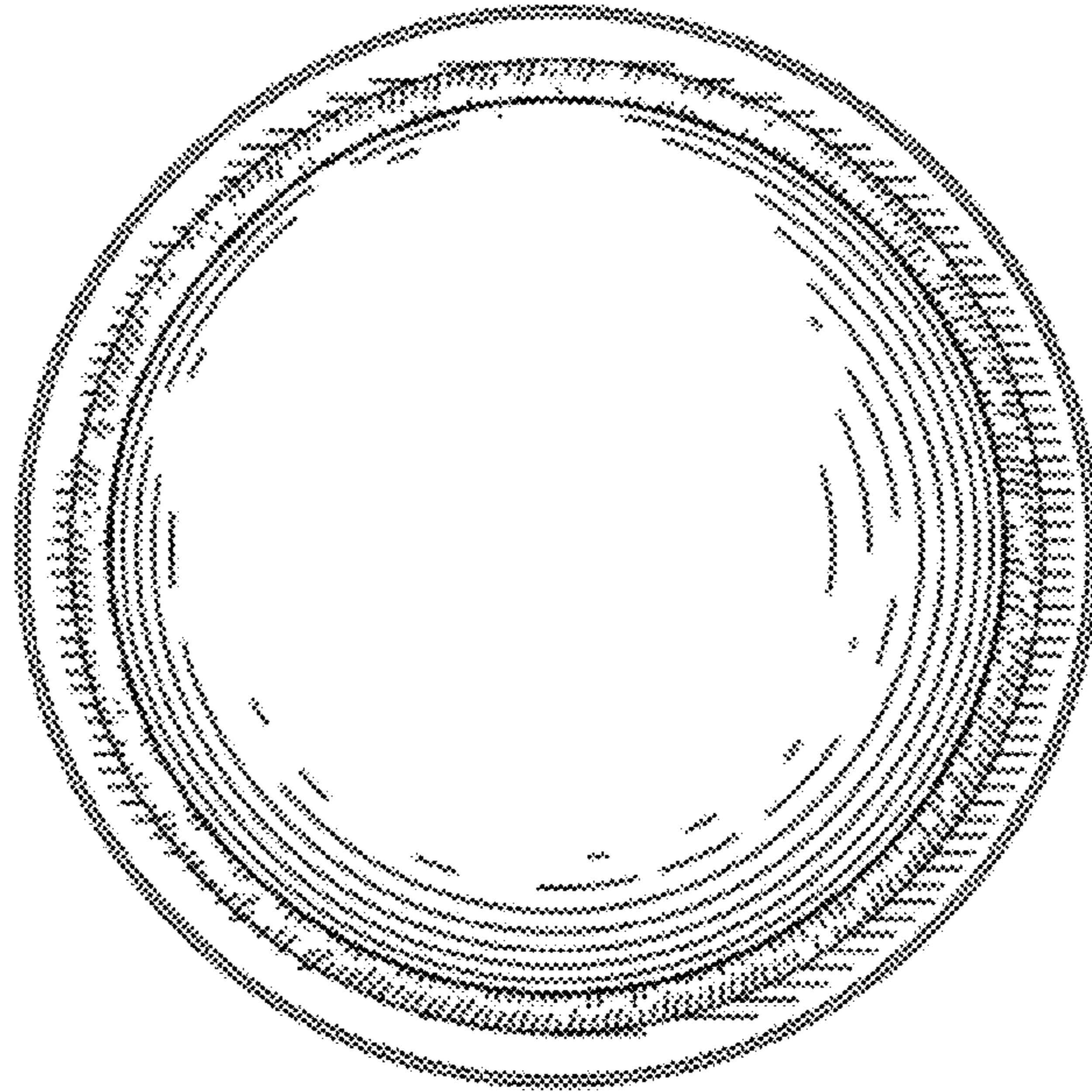
## U.S. PATENT DOCUMENTS

D485,889	S *	1/2004	DuBois	.....	D23/260
6,994,489	B1 *	2/2006	Corr	.....	404/25
D521,380	S *	5/2006	Jackson et al.	.....	D9/435
D527,428	S *	8/2006	Cooper	.....	D21/443
7,096,826	B2 *	8/2006	Markham	.....	119/707
7,104,722	B2 *	9/2006	LaCroix	.....	404/25
D563,785	S *	3/2008	Maki et al.	.....	D9/454
D569,527	S *	5/2008	Rosene et al.	.....	D25/2
D582,050	S *	12/2008	McKinzie	.....	D25/2
D597,838	S *	8/2009	Stuart	.....	D9/454
D630,944	S *	1/2011	Kawamura	.....	D9/454
D632,959	S *	2/2011	Peters	.....	D9/454
2002/0100225	A1 *	8/2002	Sisk	.....	52/20
2002/0190068	A1 *	12/2002	Sisk et al.	.....	220/263
2005/0244226	A1 *	11/2005	Lacroix	.....	404/25
2008/0050175	A1 *	2/2008	Brady et al.	.....	404/25

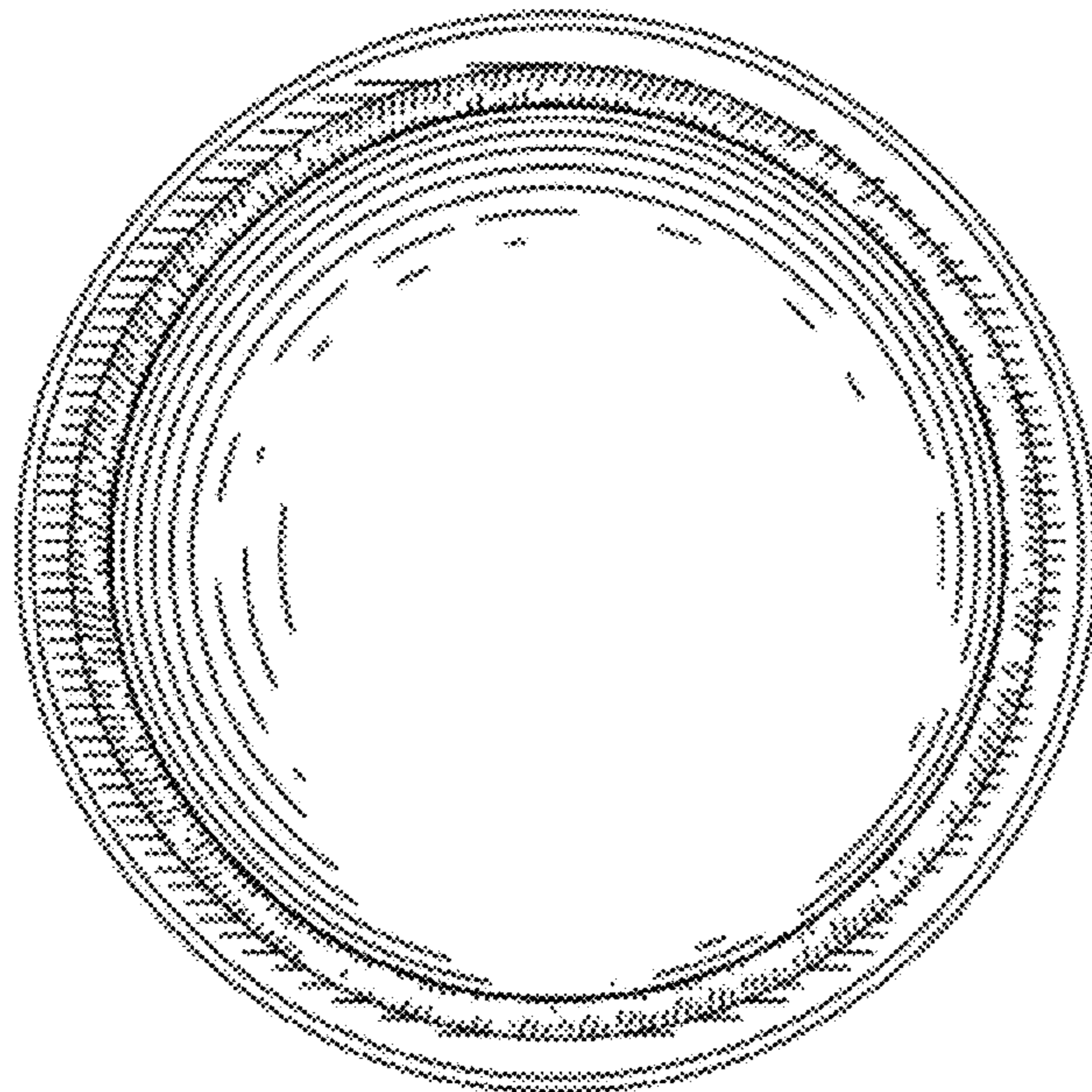
\* cited by examiner



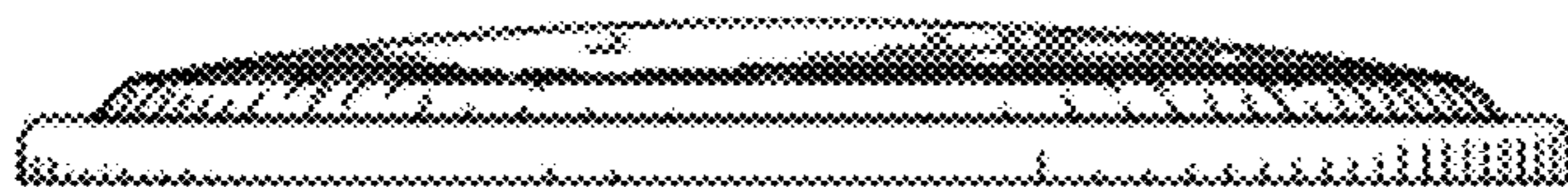
**FIG. 1**



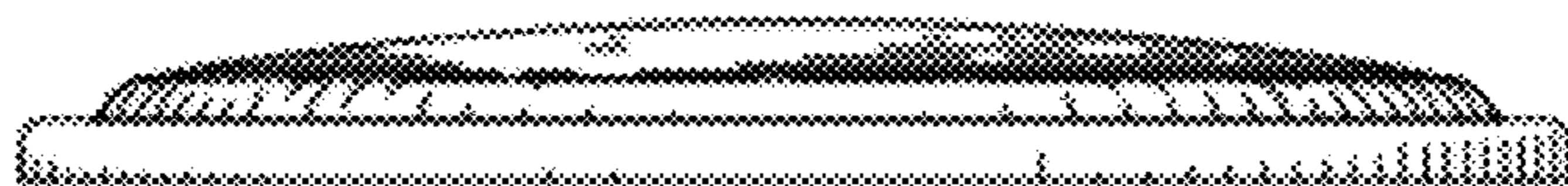
**FIG. 2**



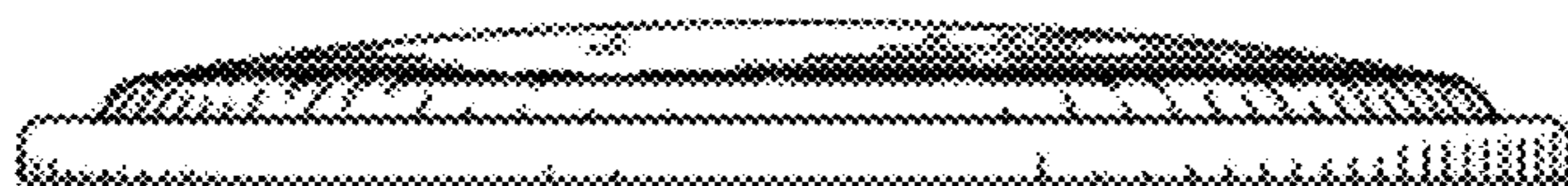
**FIG. 3**



**FIG. 4**



**FIG. 5**



**FIG. 6**



**FIG. 7**

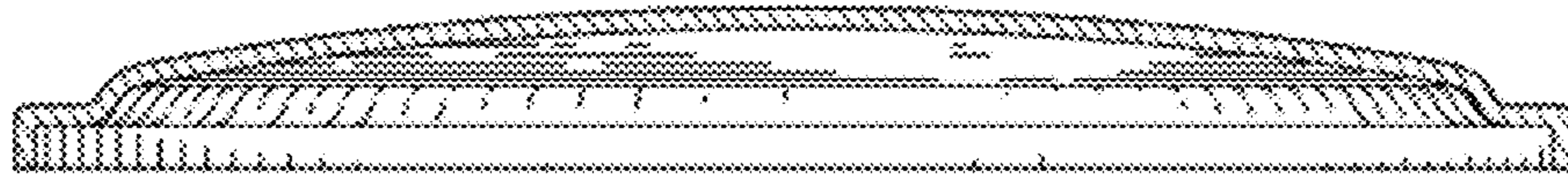


FIG. 8

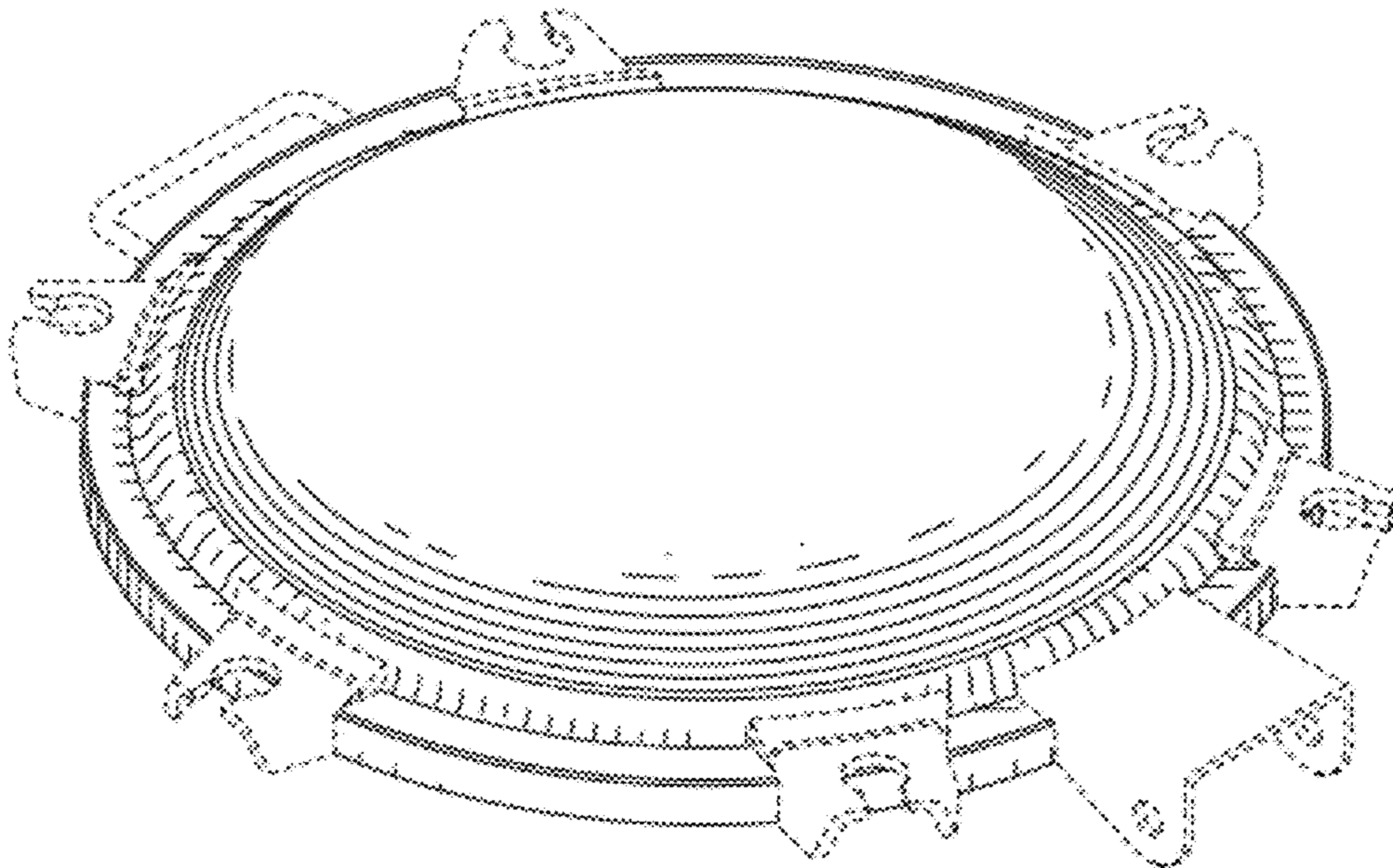


FIG. 9

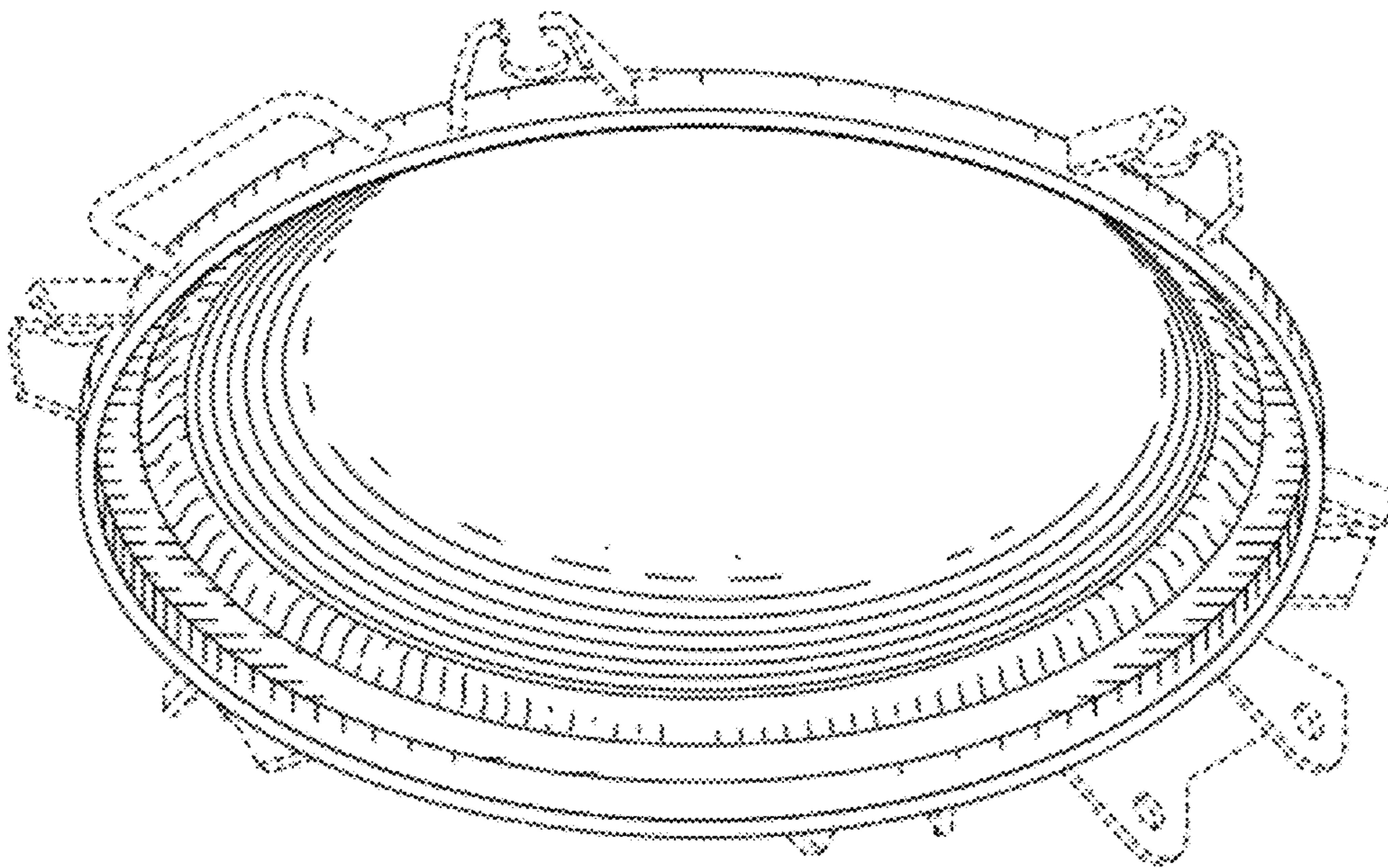


FIG. 10

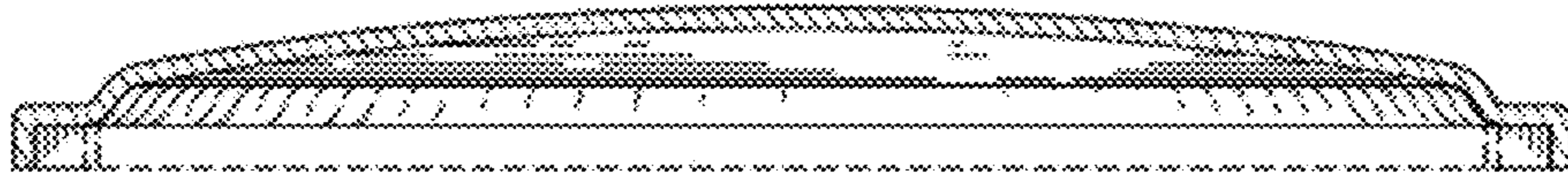


FIG. 11

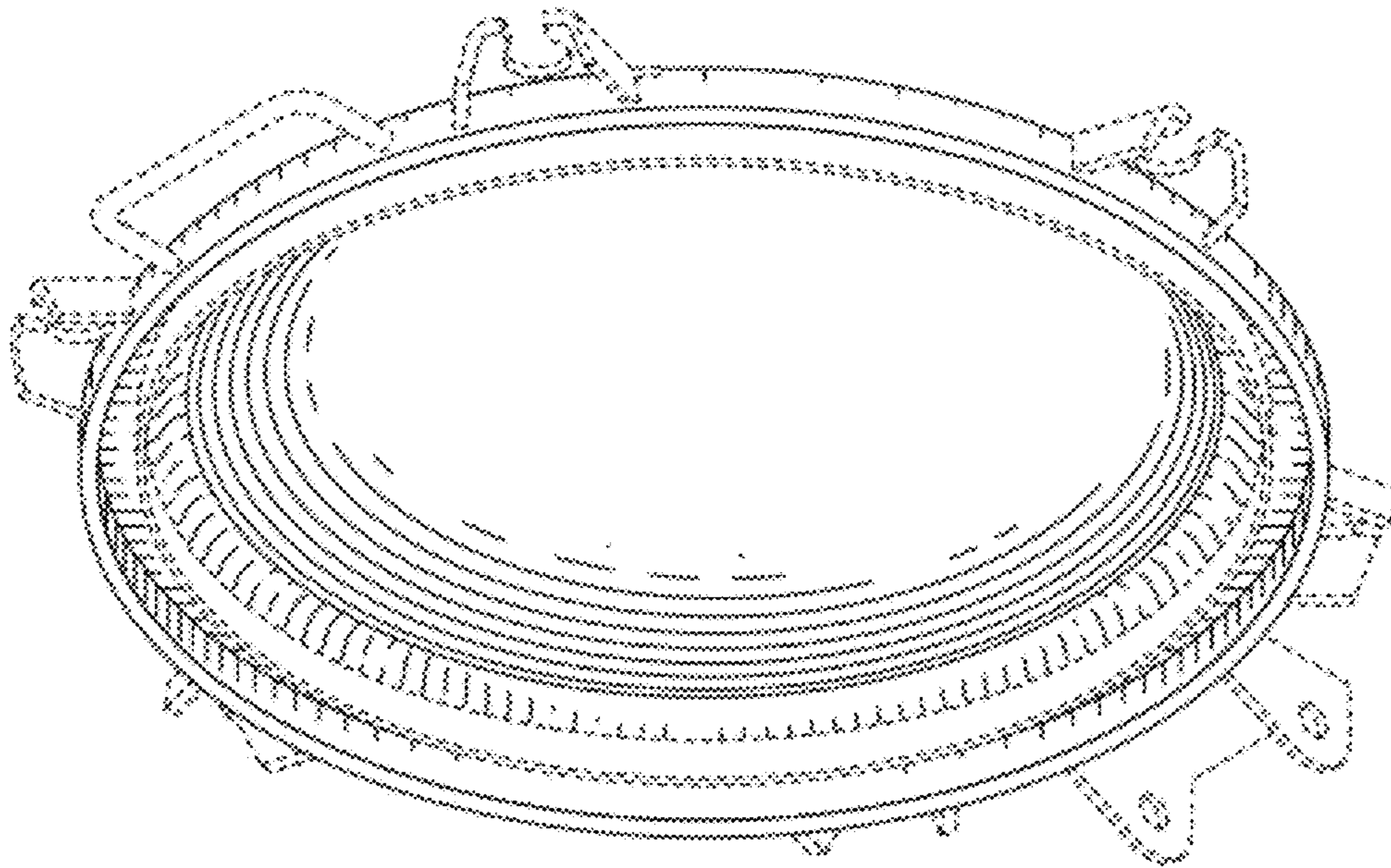


FIG. 12



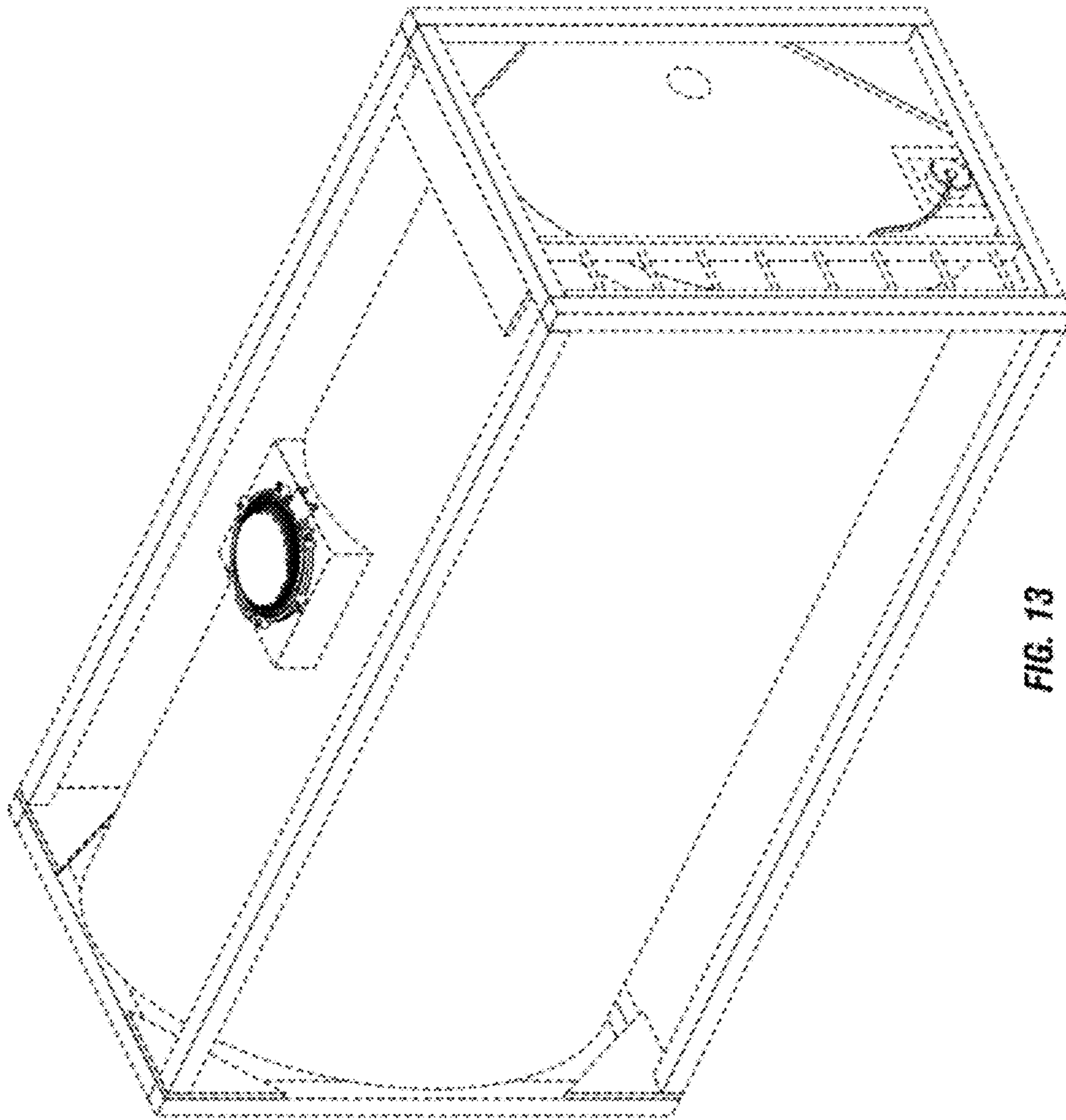


FIG. 13