



US00D666301S

(12) **United States Design Patent**
Joseph

(10) **Patent No.:** **US D666,301 S**

(45) **Date of Patent:** **** Aug. 28, 2012**

(54) **BACK BRACE**

(75) Inventor: **Mark Joseph**, Aspen, CO (US)

(73) Assignee: **EXOS Corporation**, Arden Hills, MN (US)

(**) Term: **14 Years**

(21) Appl. No.: **29/408,207**

(22) Filed: **Dec. 8, 2011**

(51) **LOC (9) Cl.** **24-01**

(52) **U.S. Cl.** **D24/190**

(58) **Field of Classification Search** D24/188–191, D24/200, 206; D29/100, 101.2, 101.3, 113, D29/121.1, 121.2; D2/853, 856, 860, 610, D2/624, 627, 829; 602/1, 2, 5, 6, 14, 18, 602/19, 20, 26, 36, 75, 76, 901; 128/876, 128/878–881, 892, DIG. 15, DIG. 23; 2/462, 2/916

See application file for complete search history.

(56) **References Cited**

U.S. PATENT DOCUMENTS

D19,360	S *	10/1889	Sanders	D2/627
D35,545	S *	12/1901	Schaefer	D2/627
2,181,689	A	11/1939	Bell		
2,554,337	A	5/1951	Lampert		
5,934,599	A	8/1999	Hammerslag		
6,202,953	B1	3/2001	Hammerslag		
6,289,558	B1	9/2001	Hammerslag		
6,322,529	B1	11/2001	Chung		
D492,787	S	7/2004	Weaver, II et al.		
7,001,348	B2 *	2/2006	Garth et al.	602/5
D518,895	S	4/2006	Weaver, II et al.		
7,083,585	B2 *	8/2006	Latham	602/19
7,449,006	B2 *	11/2008	Wolanske	602/19
7,591,050	B2	9/2009	Hammerslag		
7,727,172	B2 *	6/2010	Wang	602/19
D626,244	S	10/2010	Sagnip et al.		
D628,300	S	11/2010	Caden		

D628,696	S	12/2010	Robertson		
D629,115	S	12/2010	Robertson		
D633,622	S	3/2011	Chiang		
D635,682	S	4/2011	Chiang		
D636,494	S *	4/2011	Garth et al.	D24/190
D638,948	S	5/2011	Janzon		
D641,482	S	7/2011	Robertson et al.		
D641,483	S	7/2011	Robertson et al.		
D649,648	S	11/2011	Cavalieri et al.		
8,057,417	B2 *	11/2011	Imai	602/19
D650,485	S	12/2011	Jaccard		
D652,937	S	1/2012	Robertson et al.		
D654,180	S	2/2012	Weaver, II		

(Continued)

Primary Examiner — Susan E Krakower

(74) *Attorney, Agent, or Firm* — Patterson Thuent Christensen Pedersen, P.A.

(57) **CLAIM**

I claim the ornamental design for back brace, as shown and described.

DESCRIPTION

FIG. 1 is a perspective view of a back brace according to the invention;

FIG. 2 is a top plan view of the back brace depicted in FIG. 1.

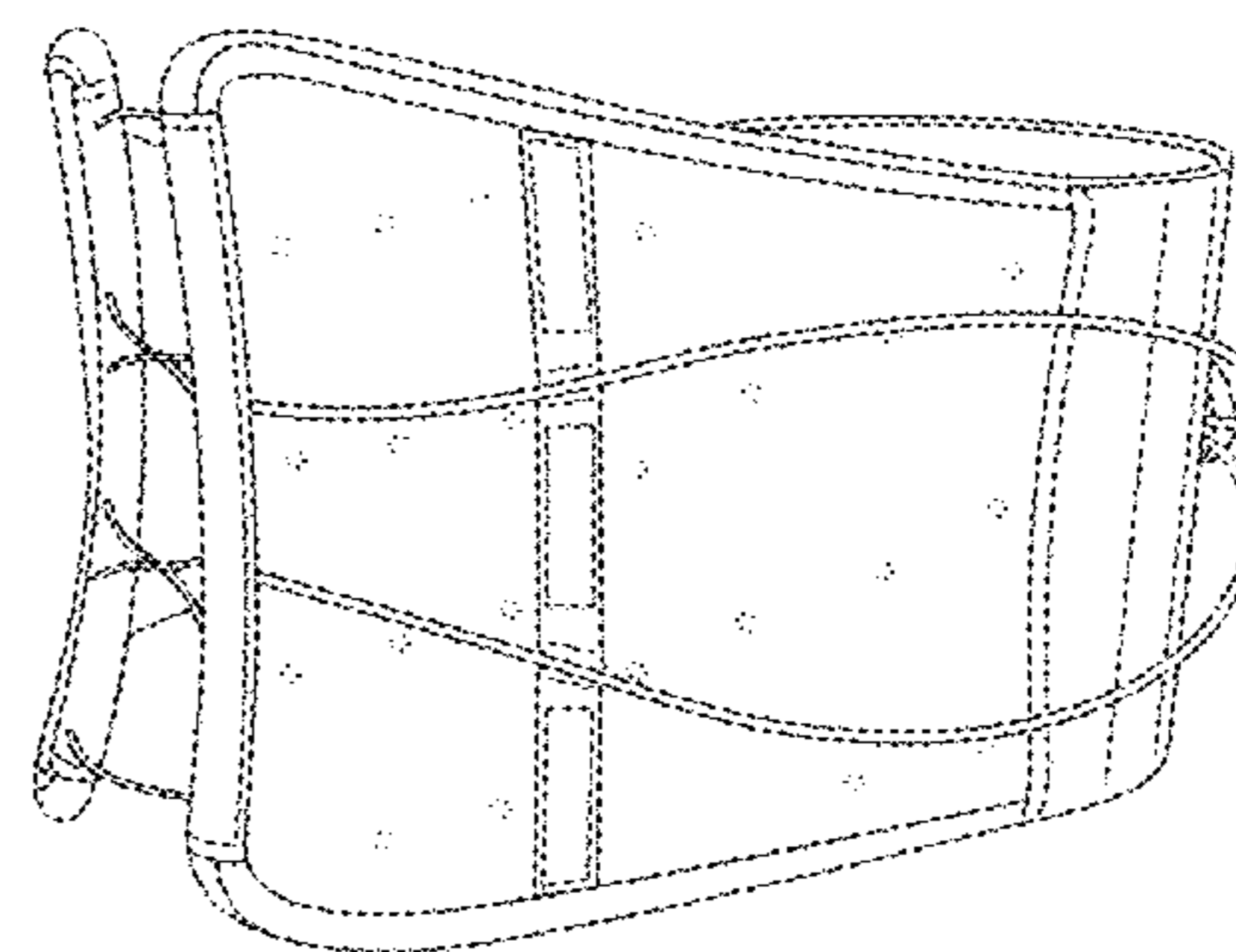
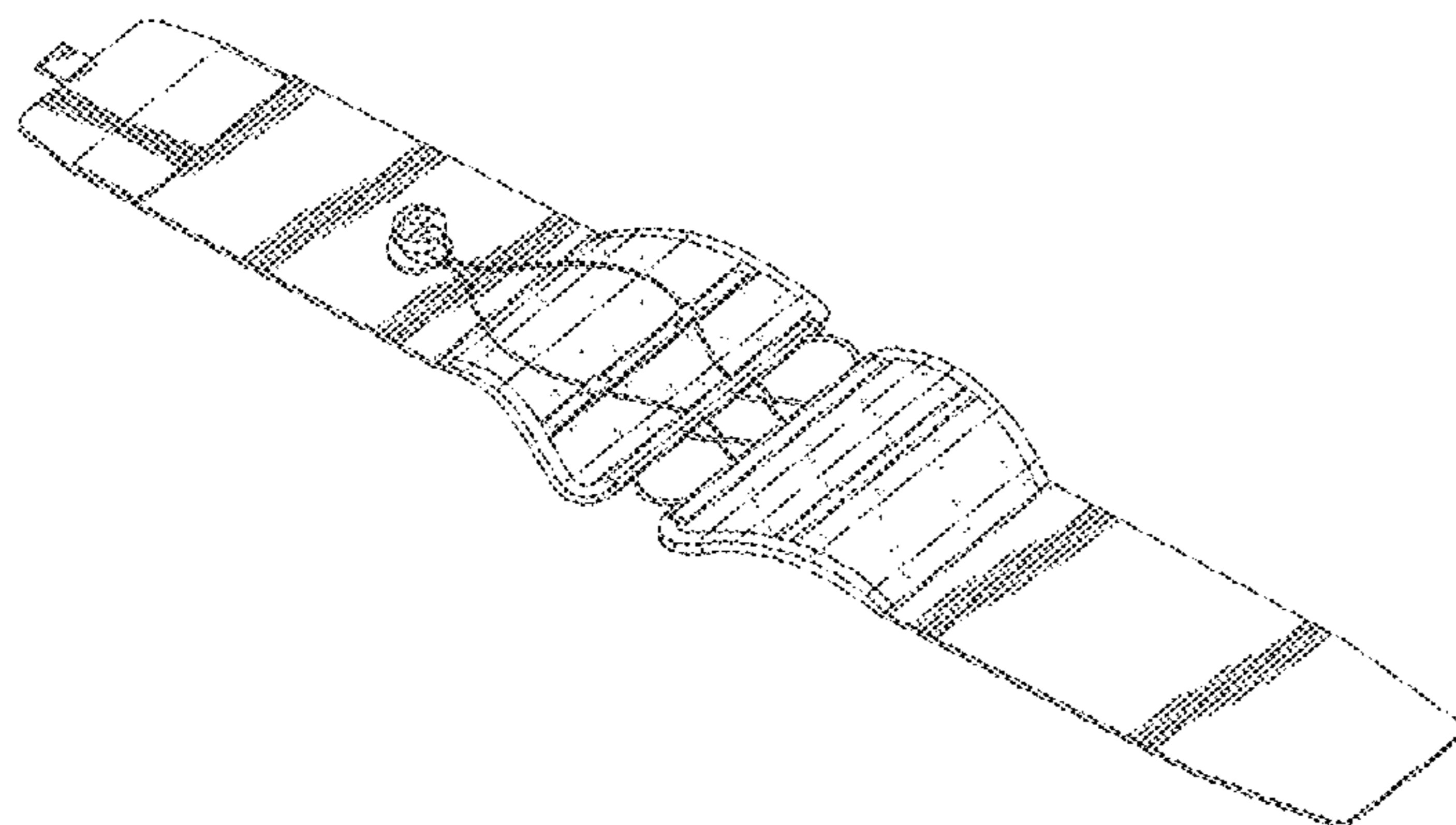
FIG. 3 is a bottom plan view of the back brace depicted in FIG. 1.

FIG. 4 is a side elevation view of the back brace depicted in FIG. 1, the view from the opposite side being a mirror image thereof; and,

FIG. 5 is a perspective view of an assembled back brace depicted in FIG. 1.

It is understood that the dashed lines on the surface of the back brace indicate stitch lines which form part of the claimed design, while the short broken lines of the circular elements show portions of the back brace which form no part of the claimed design.

1 Claim, 4 Drawing Sheets



US D666,301 S

Page 2

U.S. PATENT DOCUMENTS

D657,062 S 4/2012 Chiang
D657,063 S 4/2012 Chiang
2002/0068890 A1* 6/2002 Schwenn et al. 602/19
2002/0095750 A1 7/2002 Hammerslag
2002/0148461 A1* 10/2002 Heinz et al. 128/96.1
2003/0204938 A1 11/2003 Hammerslag
2006/0156517 A1 7/2006 Hammerslag et al.
2007/0179417 A1* 8/2007 Schwenn et al. 602/19
2008/0060167 A1 3/2008 Hammerslag et al.
2008/0060168 A1 3/2008 Hammerslag et al.
2008/0066272 A1 3/2008 Hammerslag et al.

2008/0066345 A1 3/2008 Hammerslag et al.
2008/0066346 A1 3/2008 Hammerslag et al.
2008/0083135 A1 4/2008 Hammerslag et al.
2008/0319362 A1 12/2008 Joseph
2009/0082707 A1* 3/2009 Rumsey 602/19
2009/0192425 A1* 7/2009 Garth et al. 602/19
2010/0168630 A1* 7/2010 Cropper et al. 602/19
2010/0268140 A1* 10/2010 Berlese 602/19
2010/0268141 A1* 10/2010 Bannister 602/19
2010/0299959 A1 12/2010 Hammerslag et al.
2011/0213284 A1* 9/2011 Garth et al. 602/19

* cited by examiner

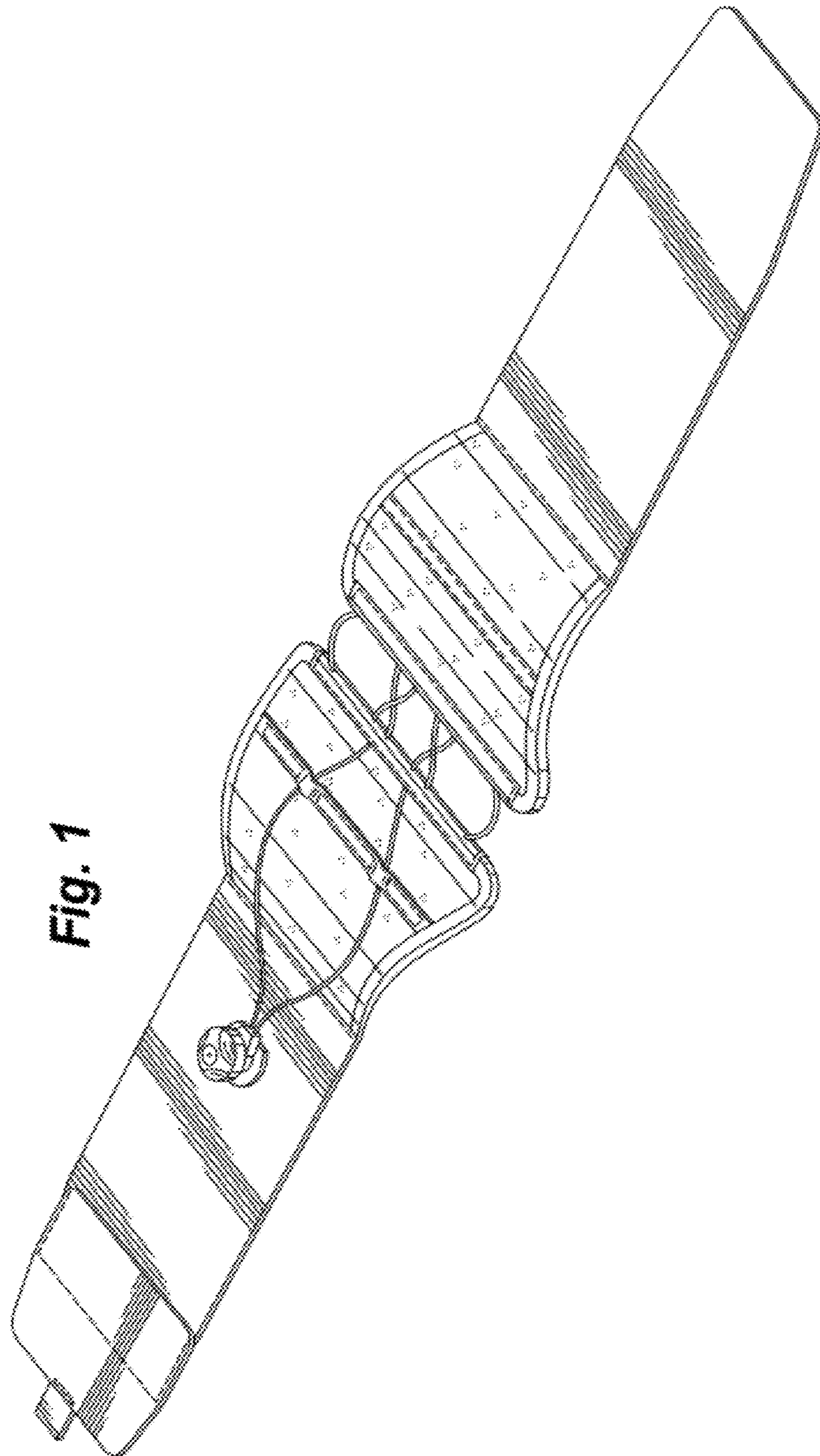


Fig. 1

Fig. 2

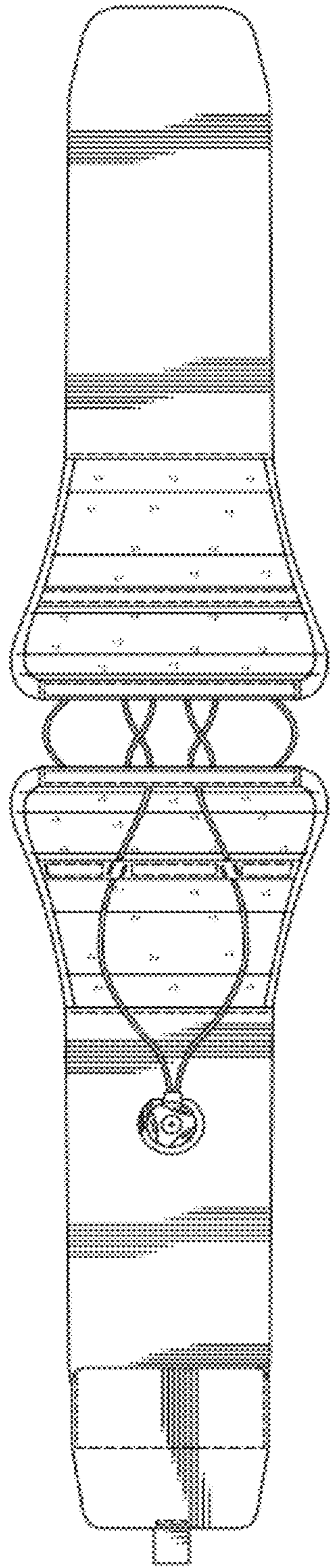


Fig. 3

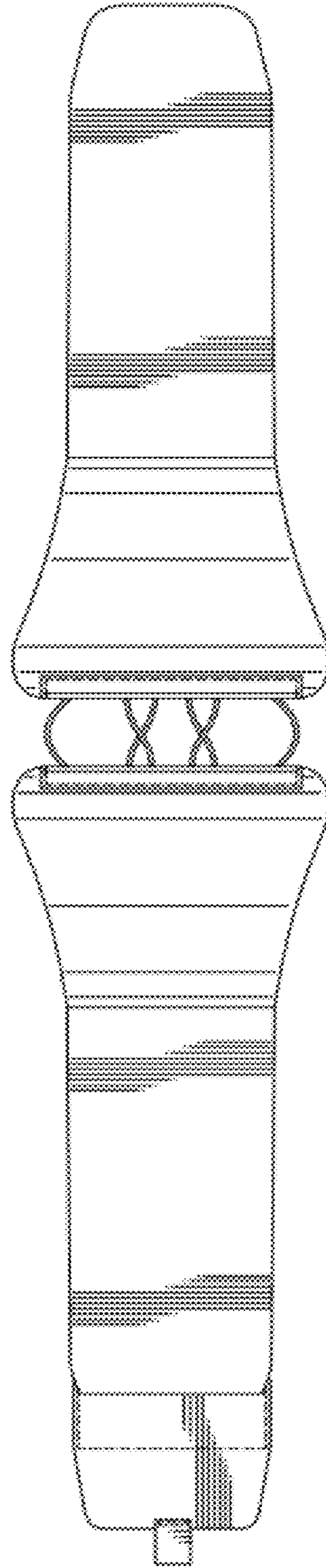


Fig. 4



Fig. 5

