

US00D666300S

(12) **United States Design Patent**  
**Suzuki**

(10) **Patent No.:** **US D666,300 S**

(45) **Date of Patent:** **\*\* Aug. 28, 2012**

(54) **SUPPORT INSTRUMENT FOR A MEDICAL MONITOR**

(75) Inventor: **Shogo Suzuki**, Kawasaki (JP)

(73) Assignees: **Kabushiki Kaisha Toshiba**, Minato-ku, Tokyo (JP); **Toshiba Medical Systems Corporation**, Otawara-shi, Tochigi-ken (JP)

(\*\*) Term: **14 Years**

(21) Appl. No.: **29/406,043**

(22) Filed: **Nov. 9, 2011**

(30) **Foreign Application Priority Data**

May 25, 2011 (JP) ..... 2011-011694

(51) **LOC (9) Cl.** ..... **24-01**

(52) **U.S. Cl.** ..... **D24/186**

(58) **Field of Classification Search** ..... D24/176-177, D24/184-185, 232, 234, 128; D10/75, 81; 211/70.6; 439/607-610, 638, 650, 676; 248/281.11; 378/194; D6/513, 474, 574; D8/373; D14/239, D14/375, 451-452

See application file for complete search history.

(56) **References Cited**

**U.S. PATENT DOCUMENTS**

D246,534 S *	11/1977	Buckley	.....	D24/177
D265,287 S *	7/1982	Ziaylek, Jr.	.....	D8/373
D270,689 S *	9/1983	Boscacci	.....	D6/513
D309,562 S *	7/1990	Boscacci et al.	.....	D8/373
D314,483 S *	2/1991	Zimprich et al.	.....	D6/513
D331,967 S *	12/1992	Flower	.....	D24/107
D354,350 S *	1/1995	Pryor et al.	.....	D24/128
D388,646 S *	1/1998	Canton Gongora et al.	...	D6/574
D390,967 S *	2/1998	Beuster et al.	.....	D24/234
D390,968 S *	2/1998	Kummerfeld	.....	D24/232
D430,165 S *	8/2000	Lee	.....	D14/451
D437,639 S *	2/2001	Breda et al.	.....	D24/128

D480,237 S *	10/2003	de Carolis	.....	D6/474
D528,216 S *	9/2006	Korner	.....	D24/232
D536,793 S *	2/2007	Assad et al.	.....	D24/185
D574,083 S *	7/2008	Tassakos et al.	.....	D24/172
D589,036 S *	3/2009	Unsworth	.....	D14/239
D598,025 S *	8/2009	Lau et al.	.....	D14/452
D598,917 S *	8/2009	Luber	.....	D14/375
D603,967 S *	11/2009	Berry et al.	.....	D24/184
D609,334 S *	2/2010	Cameron et al.	.....	D24/128
D621,820 S *	8/2010	Liang	.....	D14/239
D631,970 S *	2/2011	Held	.....	D24/185
2006/0157627 A1 *	7/2006	Hung	.....	248/276.1

**FOREIGN PATENT DOCUMENTS**

CN	ZL200630005235.6	12/2006
JP	1337342	8/2008

\* cited by examiner

*Primary Examiner* — T. Chase Nelson

*Assistant Examiner* — Mark Cavanna

(74) *Attorney, Agent, or Firm* — Banner & Witcoff, Ltd.

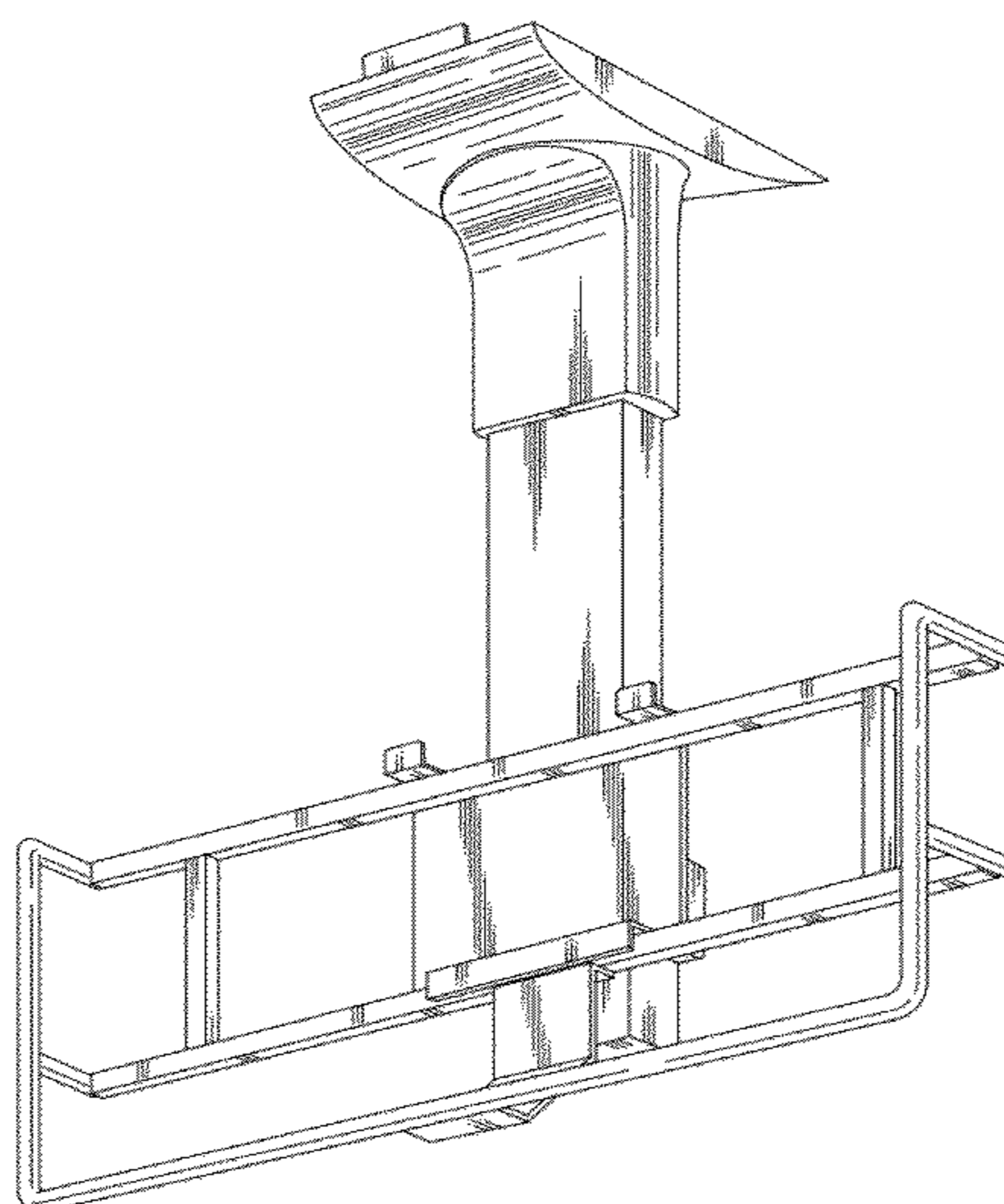
(57) **CLAIM**

The ornamental design for a support instrument for a medical monitor, as shown and described.

**DESCRIPTION**

FIG. 1 is a perspective view of a support instrument for a medical monitor, showing my new design; FIG. 2 is a front elevational view thereof; FIG. 3 is a rear elevational view thereof; FIG. 4 is a top plan view thereof; FIG. 5 is a bottom plan view thereof; FIG. 6 is a left side elevational view thereof; FIG. 7 is a right side elevational view thereof; and, FIG. 8 is an enlarged end view thereof, taken along the line 8-8 in FIG. 2, with its internal mechanisms omitted. The broken lines showing in FIG. 8 of the thickness and interior surface of the support instrument for a medical monitor are for environmental purposes only and form no part of the claimed design.

**1 Claim, 6 Drawing Sheets**



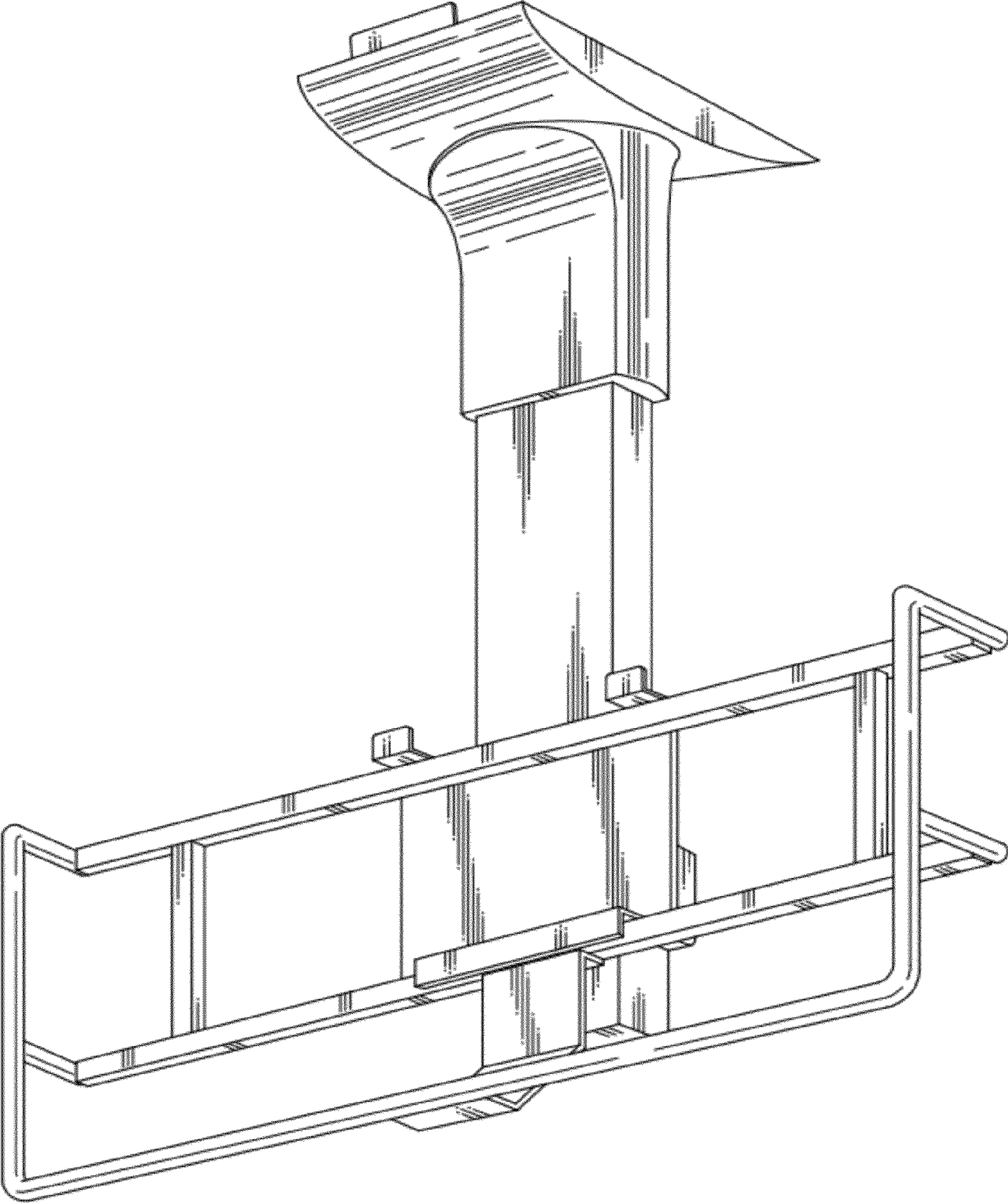


FIG. 1

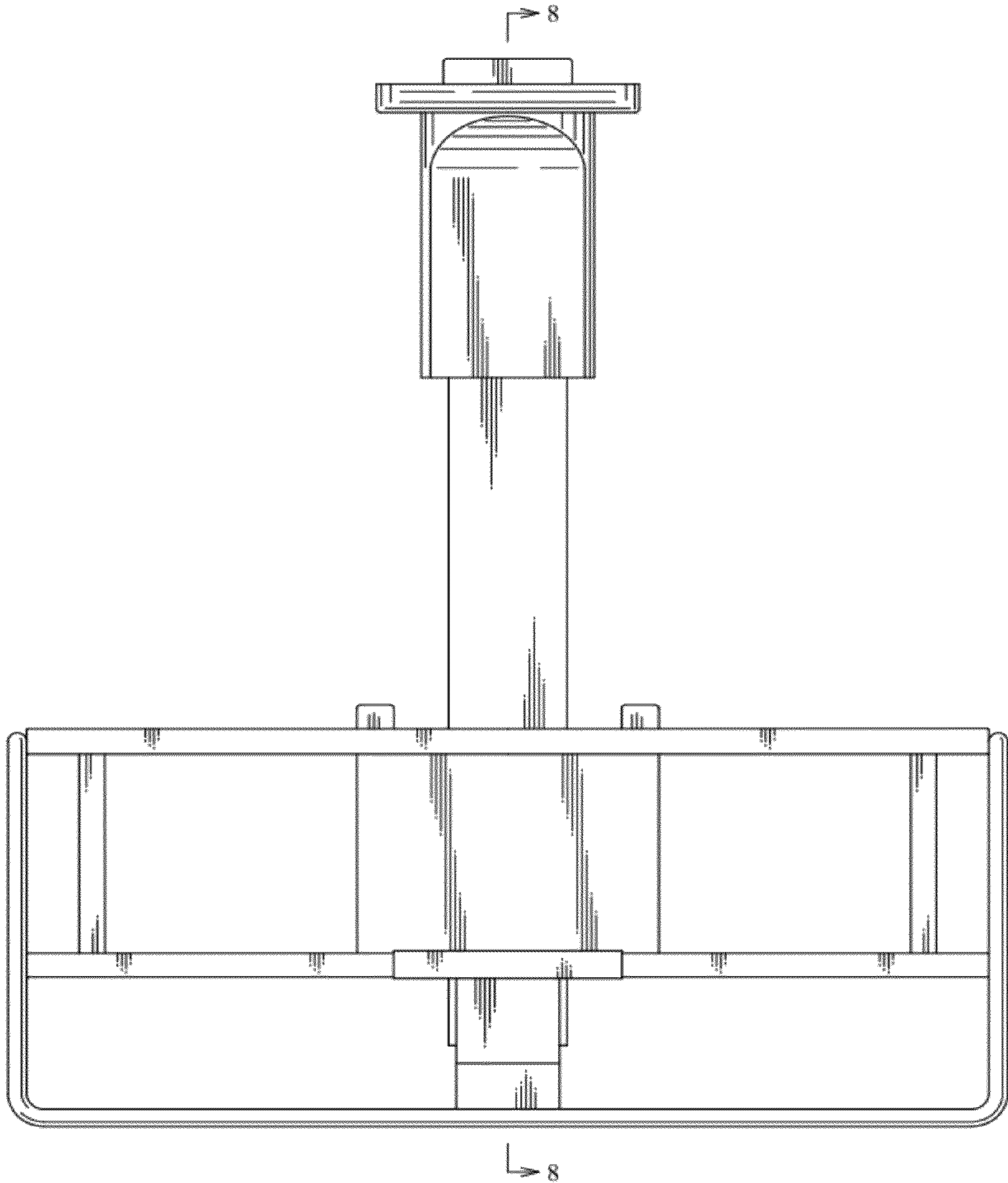


FIG. 2

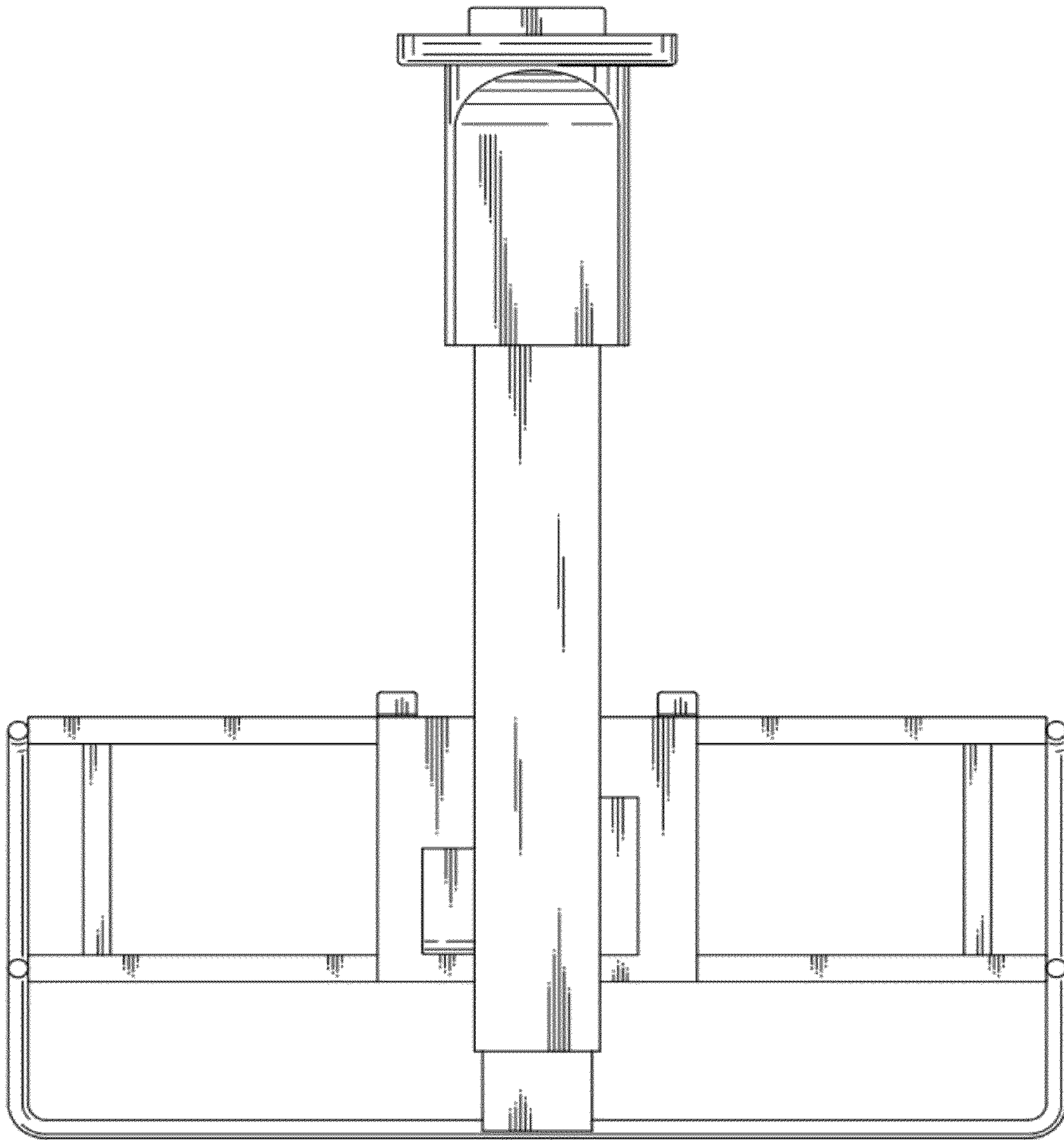


FIG. 3

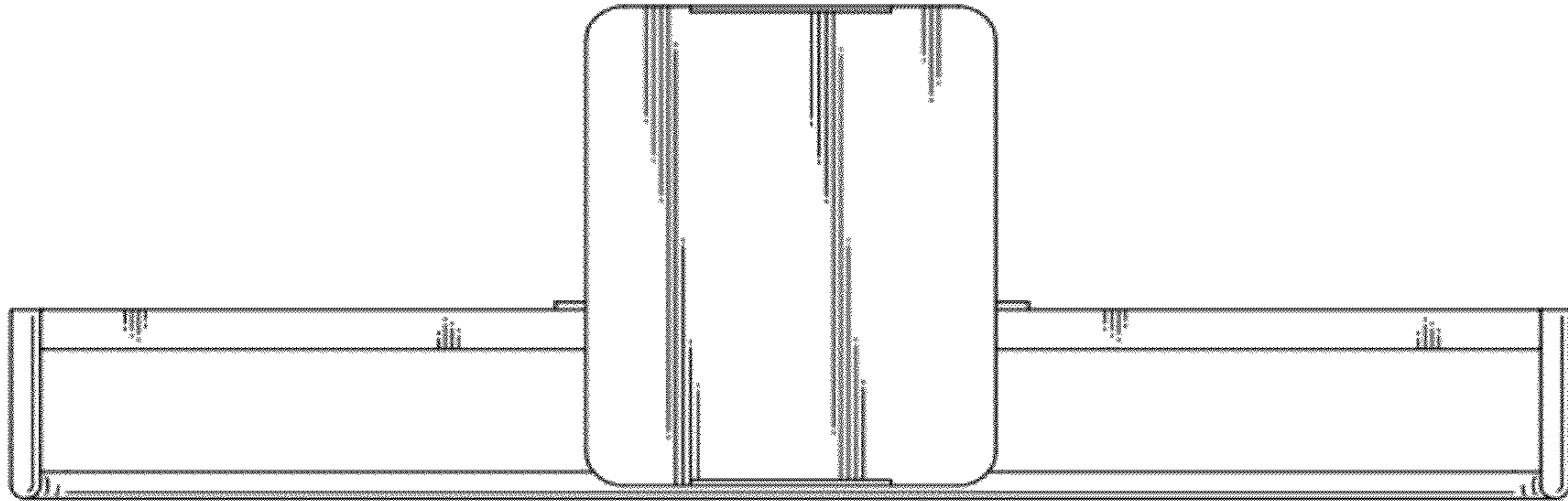


FIG. 4

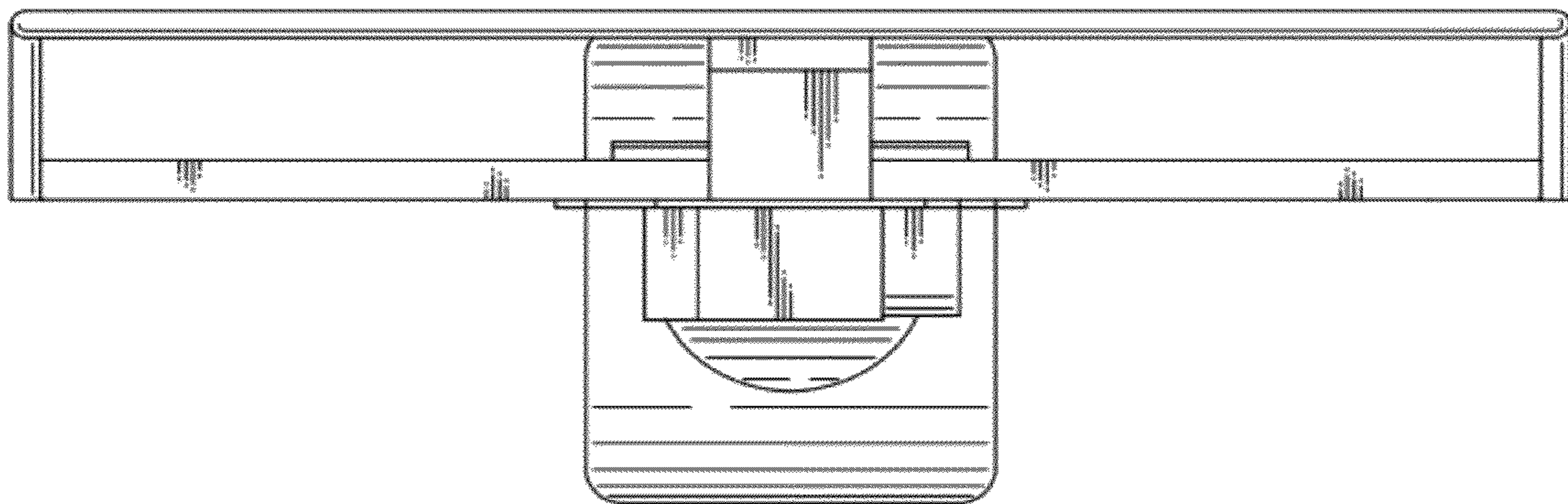


FIG. 5

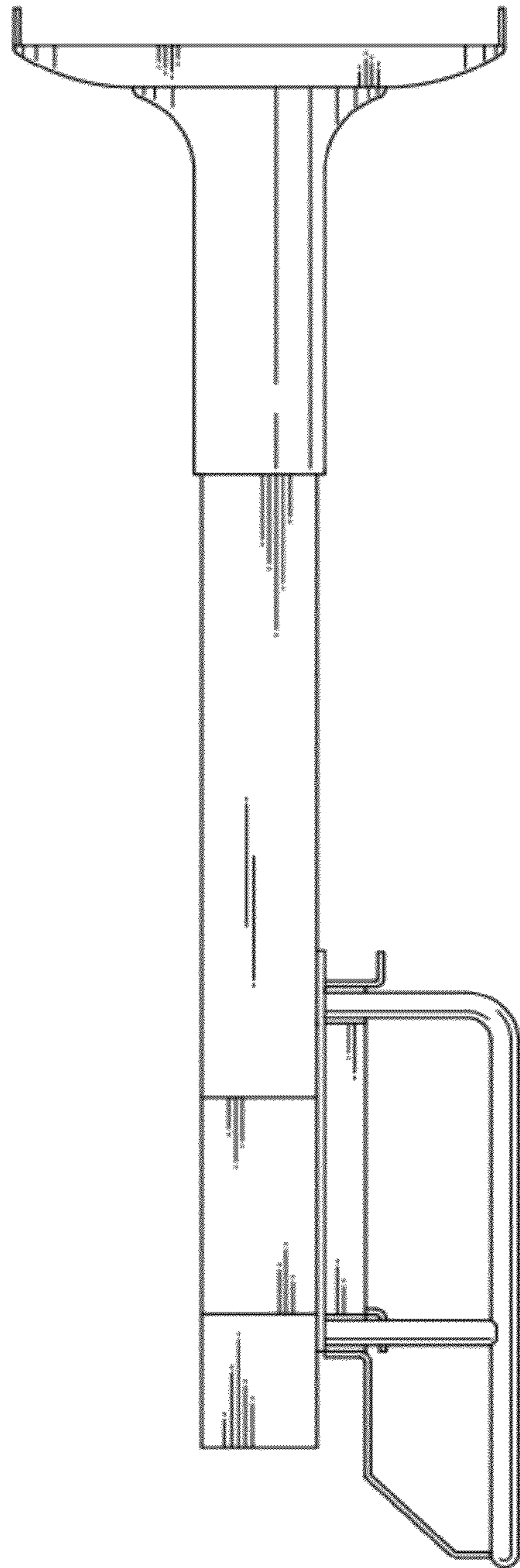


FIG. 6

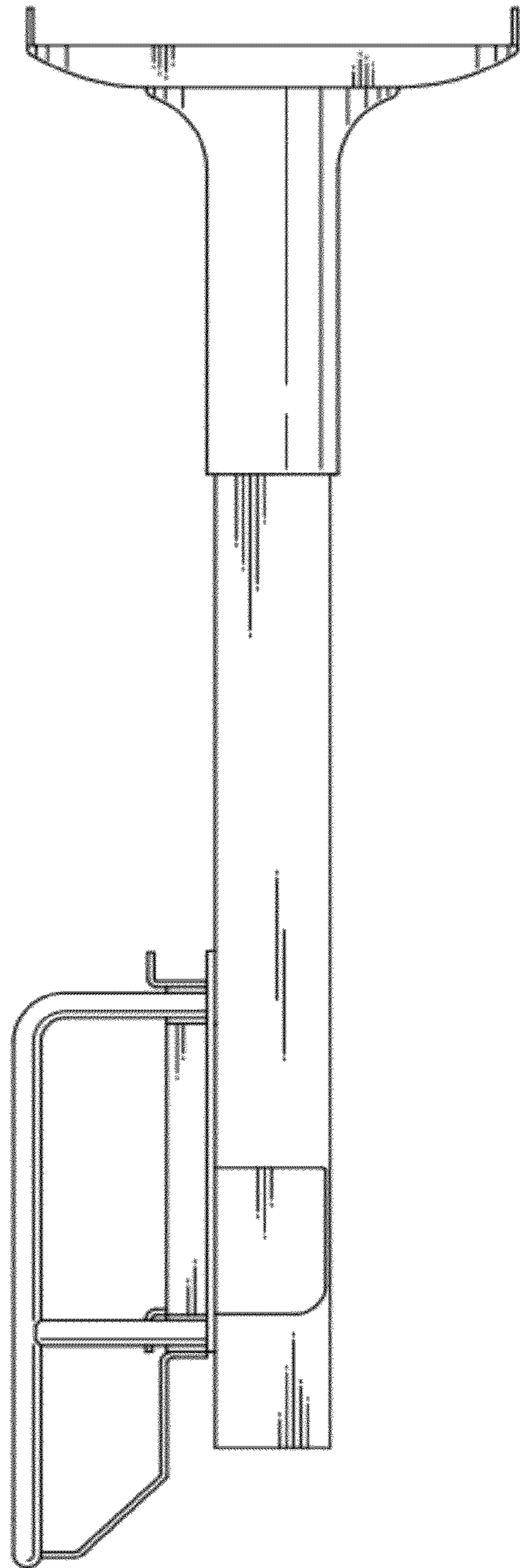


FIG. 7

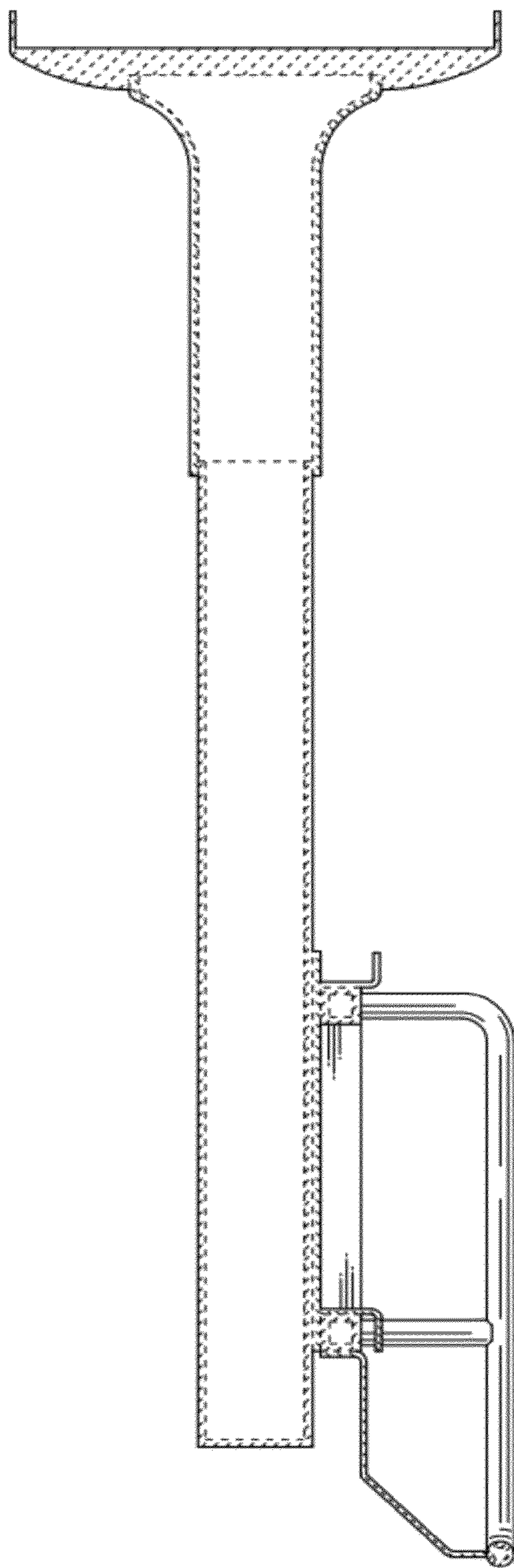


FIG. 8