

US00D666299S

(12) **United States Design Patent**
Bergman et al.

(10) **Patent No.:** **US D666,299 S**

(45) **Date of Patent:** **** Aug. 28, 2012**

- (54) **AMBU-BAG SQUEEZING DEVICE**
- (75) Inventors: **Robert Todd Bergman**, Columbus, IN (US); **Andrew B. Mendenhall**, Mooresville, IN (US)
- (73) Assignee: **Mobile Airways, LLC**, Columbus, IN (US)
- (**) Term: **14 Years**

6,397,844	B1	6/2002	Wennerholm et al.	
D510,437	S *	10/2005	Lang et al.	D24/164
D554,263	S *	10/2007	Al-Ali et al.	D24/186
D557,404	S *	12/2007	Kristensen et al.	D24/110
7,334,578	B2	2/2008	Biondi et al.	
D571,012	S *	6/2008	Mitchell	D24/164
7,513,254	B2 *	4/2009	Ben et al.	128/205.13
7,806,118	B2 *	10/2010	Thompson et al.	128/205.13
2005/0284472	A1	12/2005	Lin	
2006/0260612	A1	11/2006	Matthiessen et al.	
2008/0034975	A1 *	2/2008	Chambers et al.	96/147

- (21) Appl. No.: **29/363,937**
- (22) Filed: **Jun. 16, 2010**
- (51) **LOC (9) Cl.** **24-01**
- (52) **U.S. Cl.** **D24/164**
- (58) **Field of Classification Search** D24/163, D24/164, 167, 110, 110.1, 110.5, 110.6; D3/203.7; D9/685, 690; D23/202, 205; D29/125; 128/205.13, 205.18, 205.24, 204.18, 128/204.22, 204.26, 204.28; 96/111, 116, 96/117, 121, 130, 144; 73/861.45, 861.49
See application file for complete search history.

OTHER PUBLICATIONS

Chandler, David L., "In The World: Breath Of Life", <http://web.mit.edu/newsoffice/2010/itw-ventilator-0715.html>, Jul. 15, 2010.
 CIMIT Blog: Low-Cost Ventilator: Life Changing/Life Saving Inventions At MIT, http://www.cimitblog.org/cimit_forum_blog/2010/02, Feb. 18, 2010.

* cited by examiner

Primary Examiner — Anhdao Doan
 (74) *Attorney, Agent, or Firm* — Woodard, Emhardt, Moriarty, McNett & Henry LLP

(57) **CLAIM**

The ornamental design for a ambu-bag squeezing device, as shown and described.

(56) **References Cited**

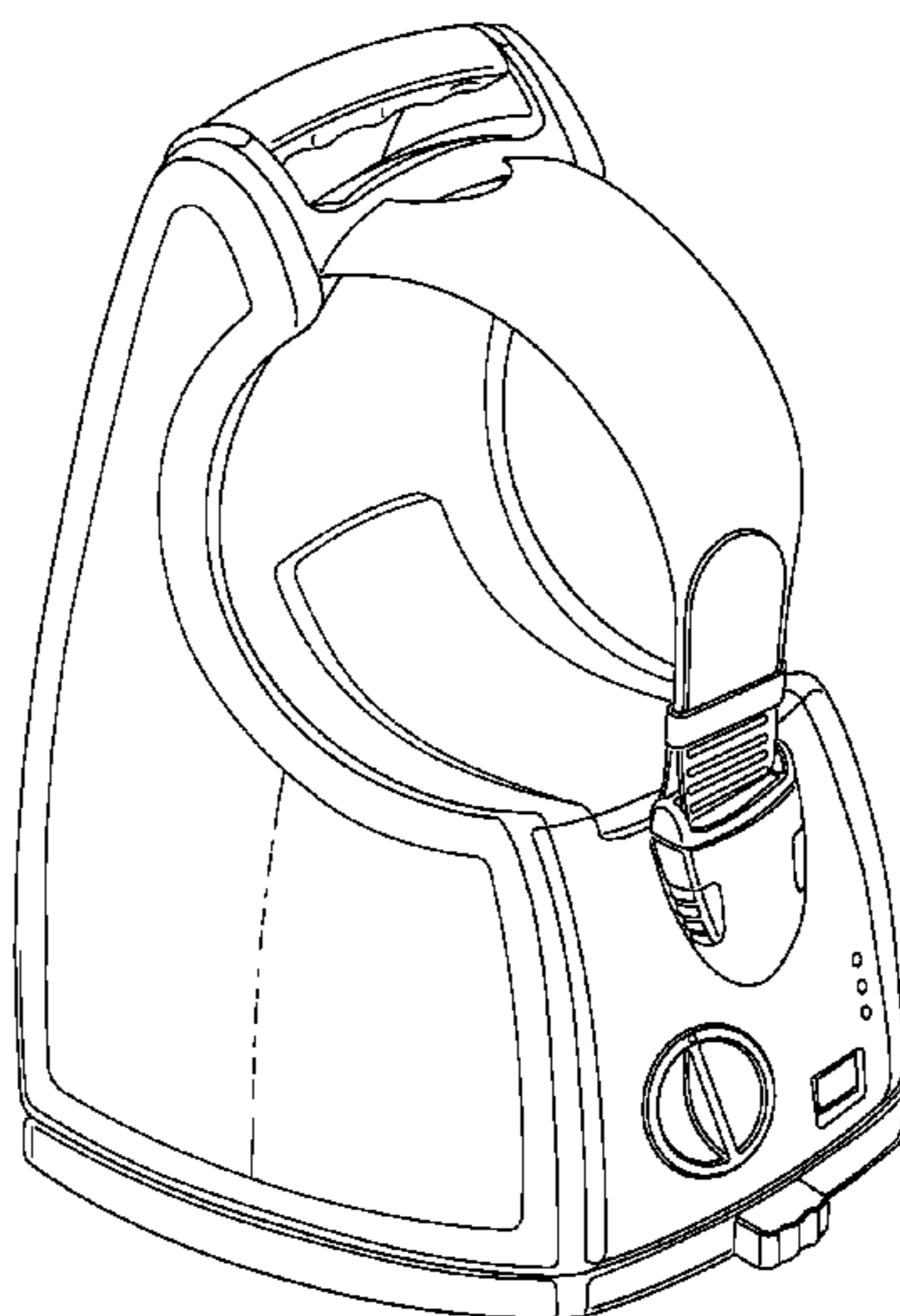
U.S. PATENT DOCUMENTS

2,924,215	A	2/1960	Goodner	
3,757,776	A	9/1973	Bauman	
3,818,806	A	6/1974	Fumagalli	
D251,853	S *	5/1979	Elam	D24/164
4,409,977	A	10/1983	Bisera et al.	
4,452,241	A	6/1984	Sarnoff et al.	
D335,552	S *	5/1993	Kohnke	D24/110.5
5,222,491	A	6/1993	Thomas	
5,427,091	A	6/1995	Phillips	
5,628,305	A	5/1997	Melker	
5,664,563	A	9/1997	Schroeder et al.	
5,711,295	A	1/1998	Harris	
5,769,072	A	6/1998	Olsson et al.	
D437,056	S *	1/2001	Remes et al.	D24/164
6,263,873	B1	7/2001	Hedenberg	
D449,889	S *	10/2001	Bischoff	D24/164
6,328,036	B1	12/2001	Emtell et al.	

DESCRIPTION

FIG. 1 is a top perspective of the ambu-bag squeezing device design of the present invention;
 FIG. 2 is a top perspective of the device of FIG. 1 with an ambu-bag shown in phantom lines;
 FIG. 3 is a front elevation view thereof;
 FIG. 4 is a side elevation view thereof;
 FIG. 5 is a side elevation view thereof;
 FIG. 6 is a top plan view thereof;
 FIG. 7 is a rear elevation view thereof; and,
 FIG. 8 is a bottom plan view thereof.
 The ambu-bag shown in broken lines in the FIG. 2 represents the environment and forms no part of the claimed design.

1 Claim, 8 Drawing Sheets



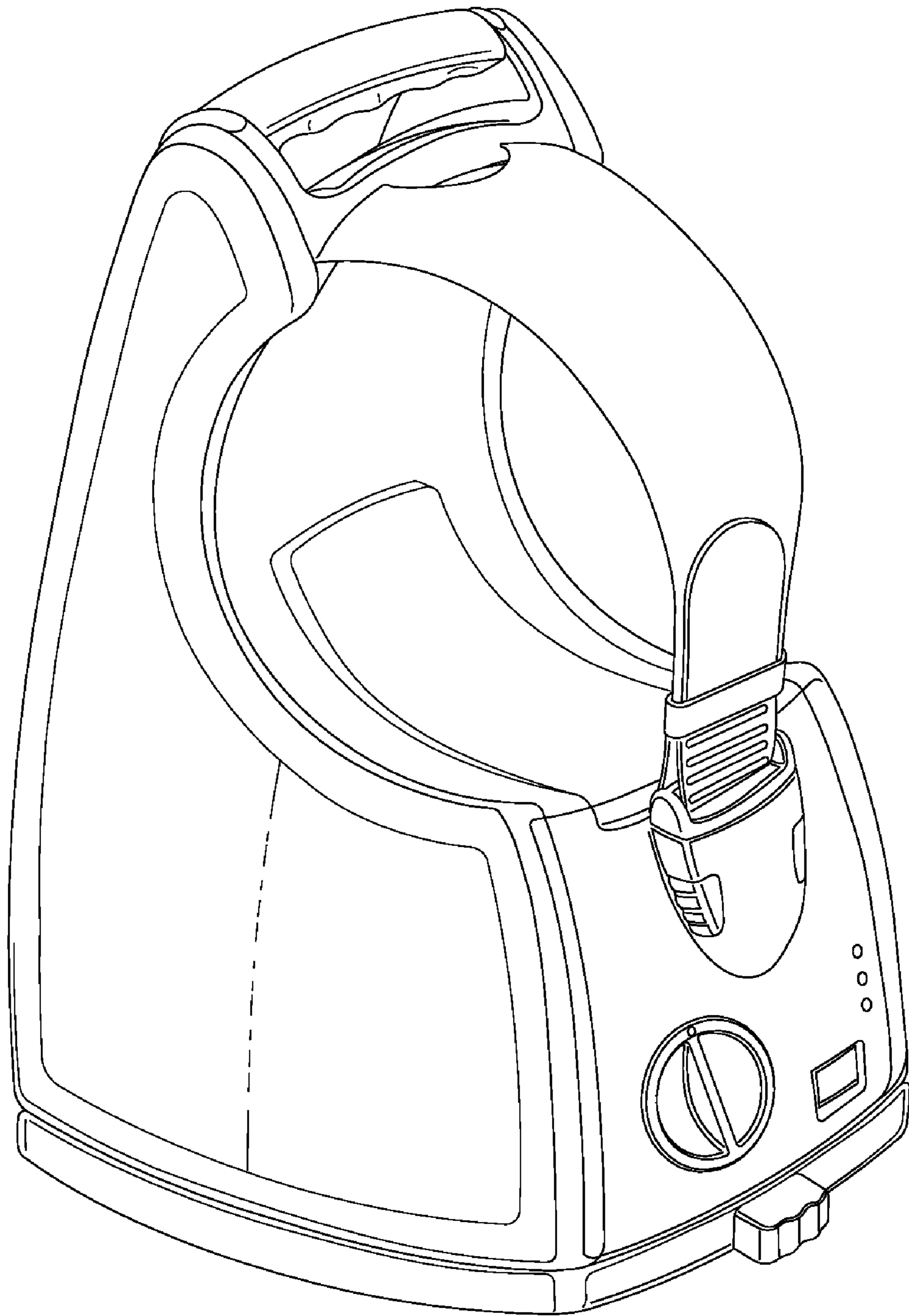


Fig. 1

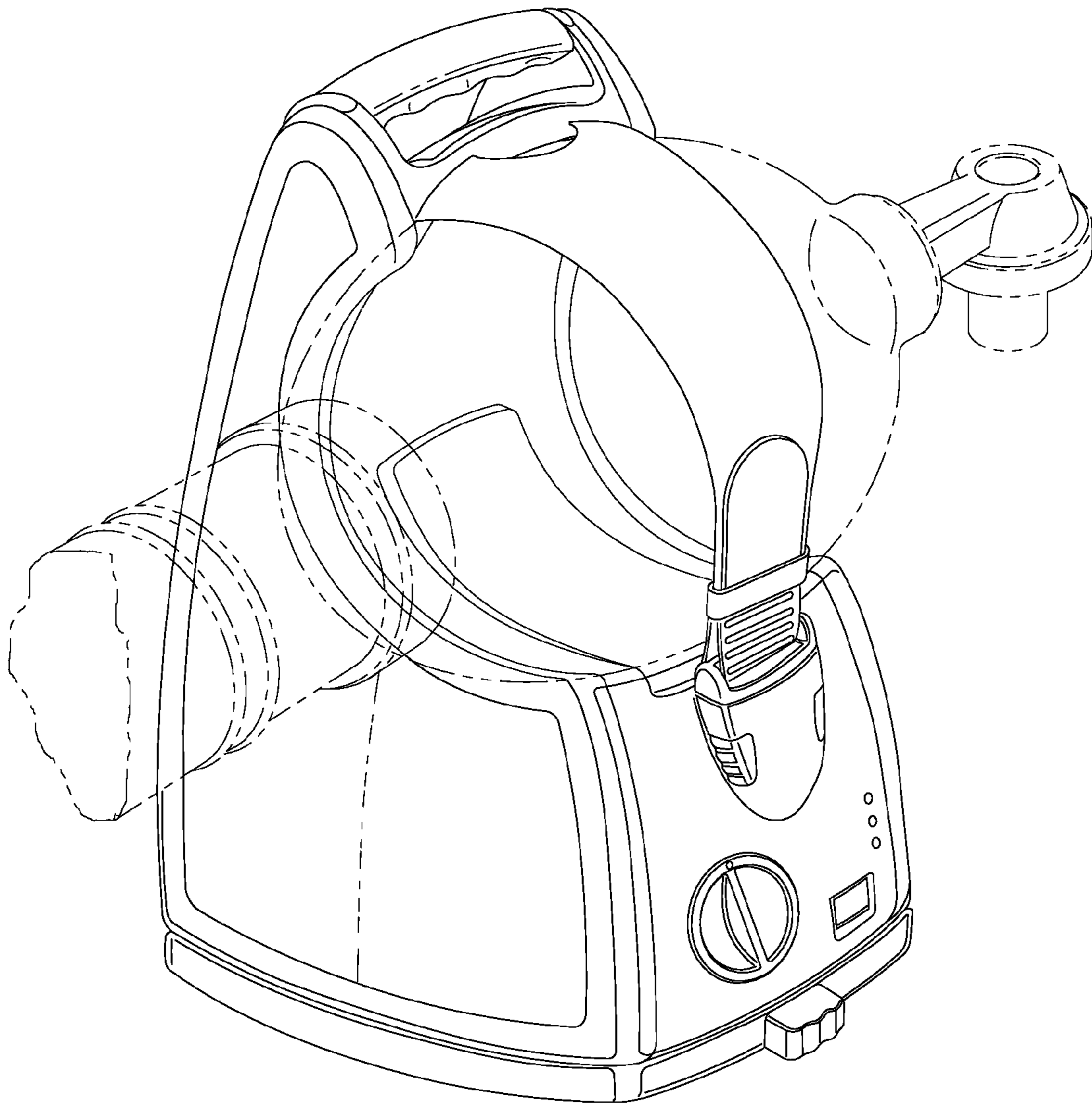


Fig. 2

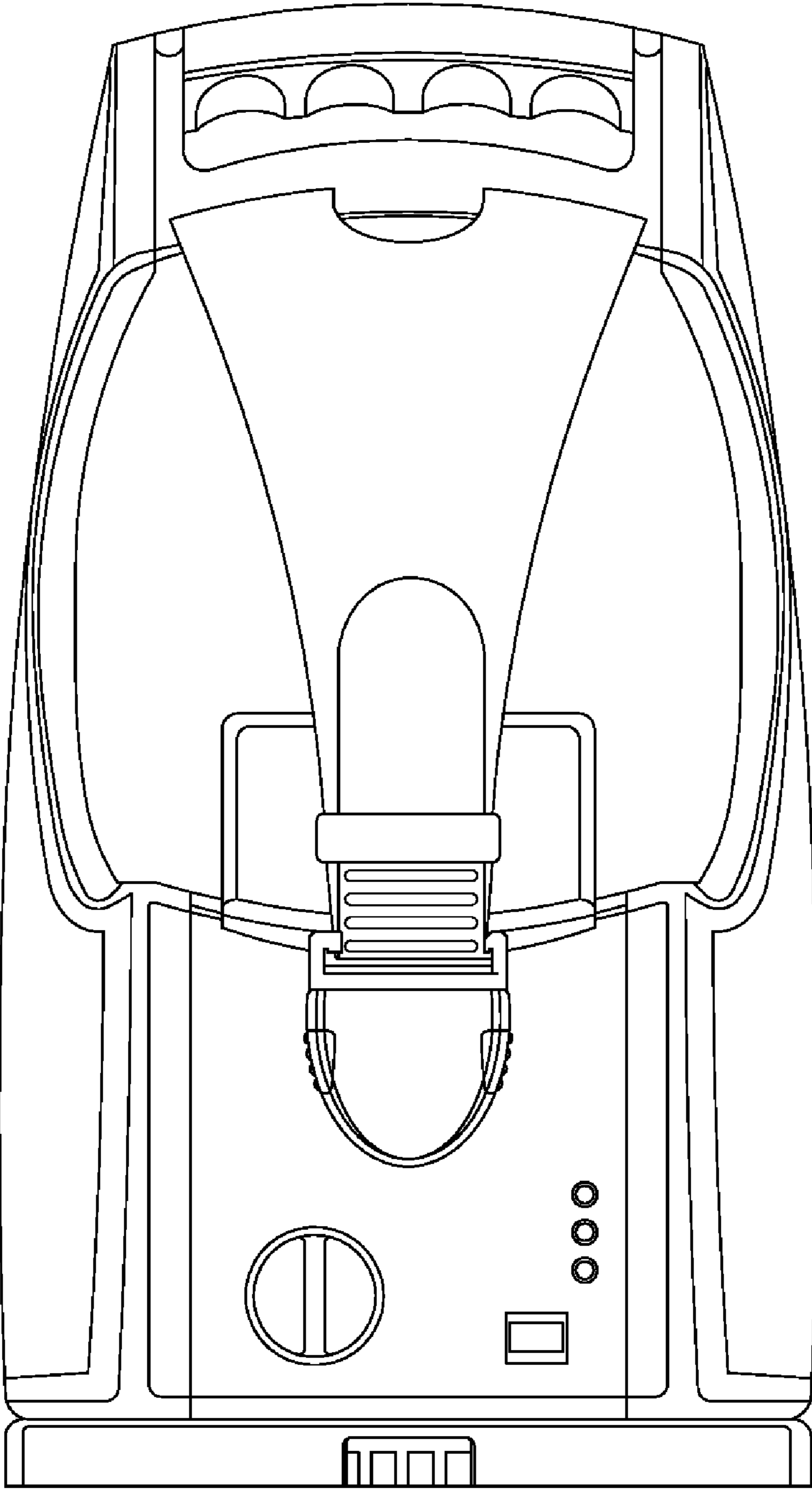


Fig.3

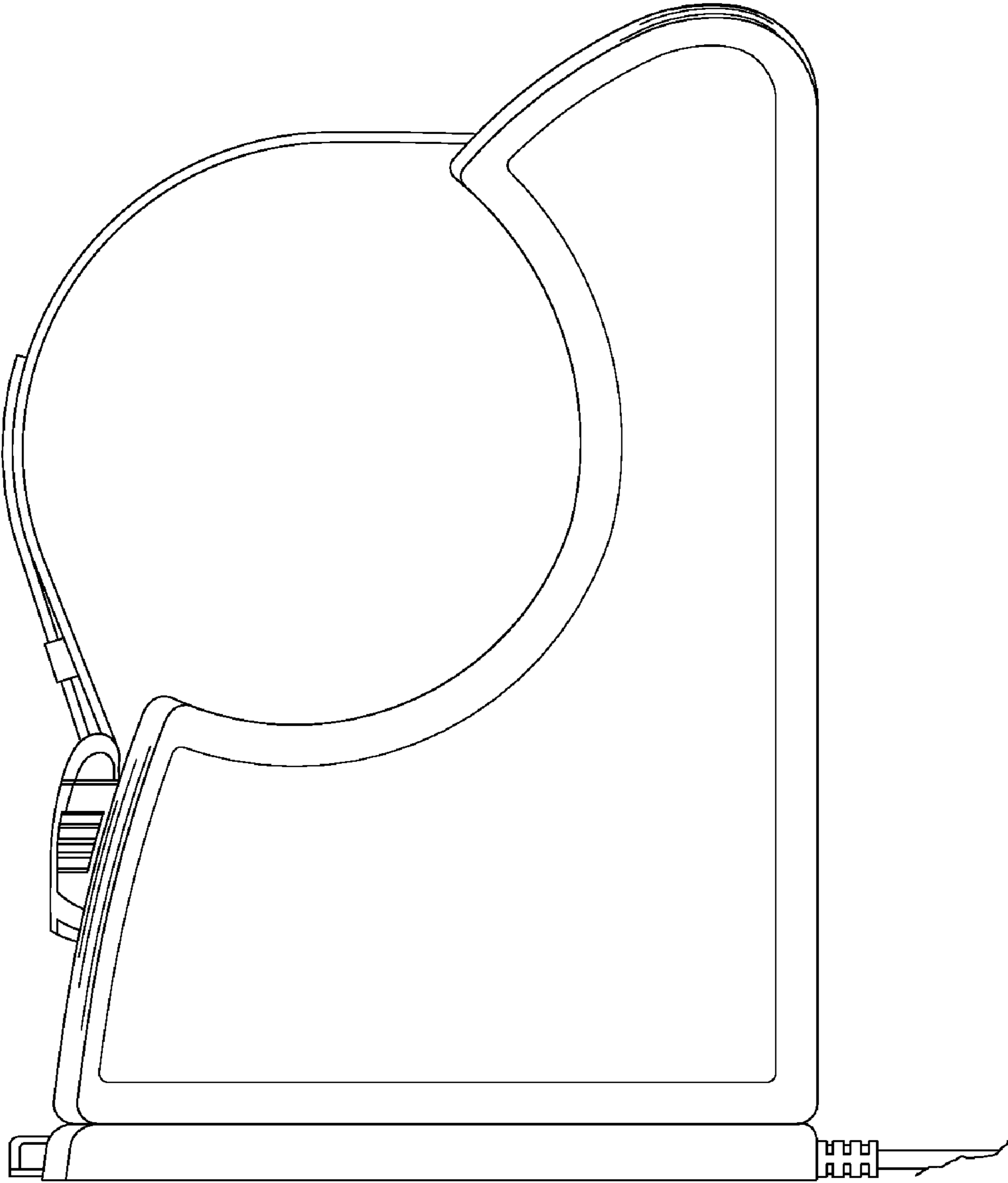


Fig. 4

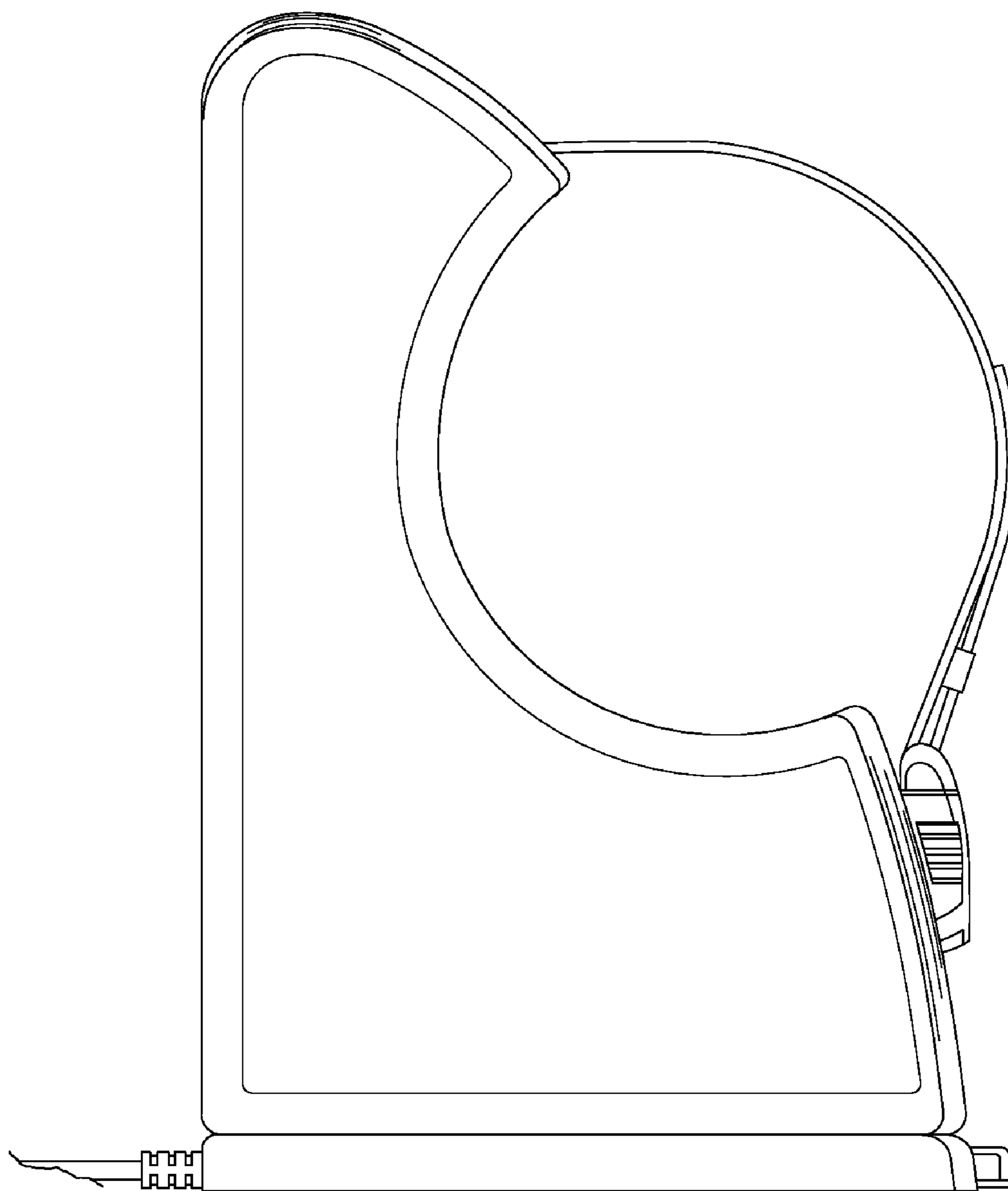


Fig. 5

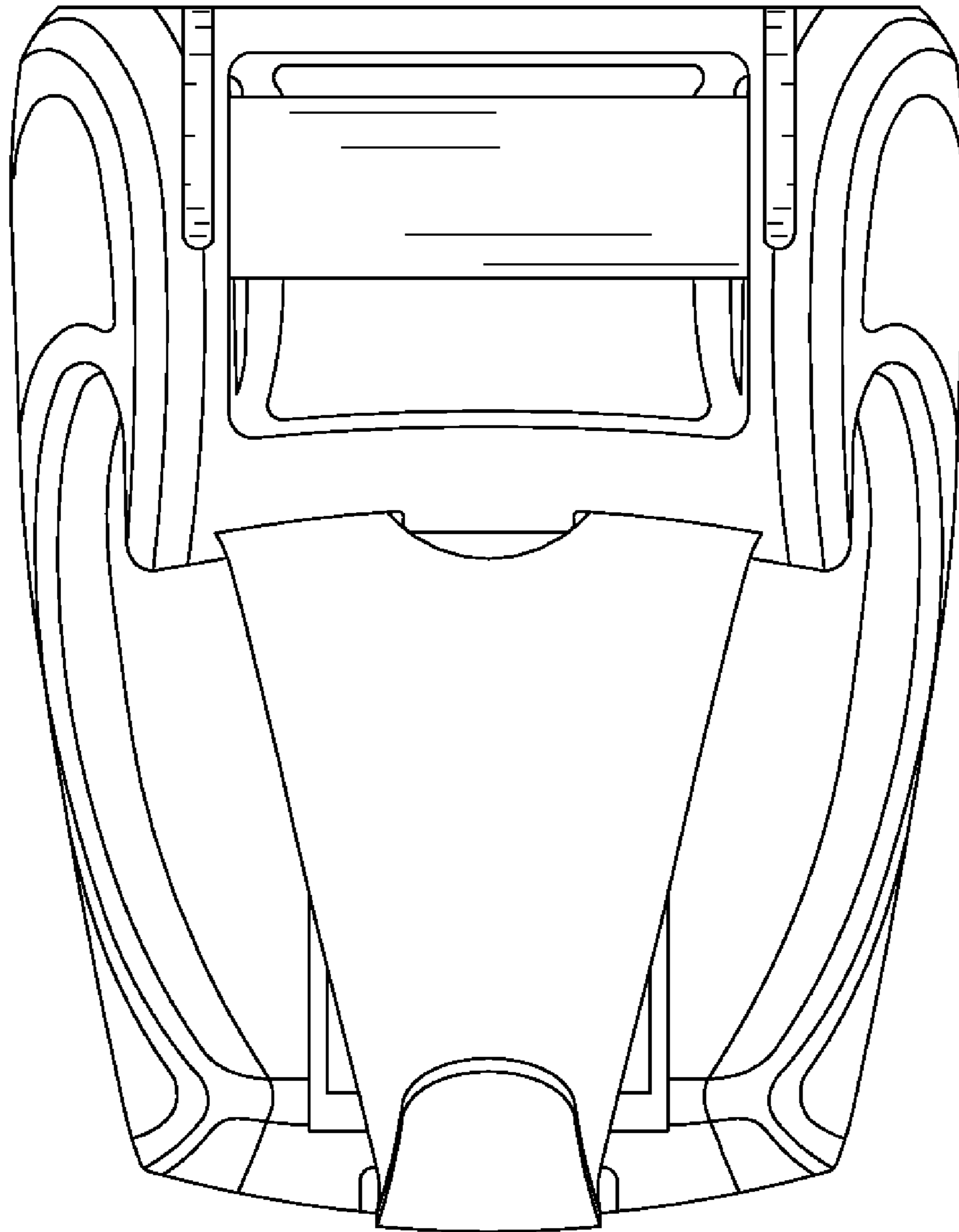


Fig. 6



Fig. 7

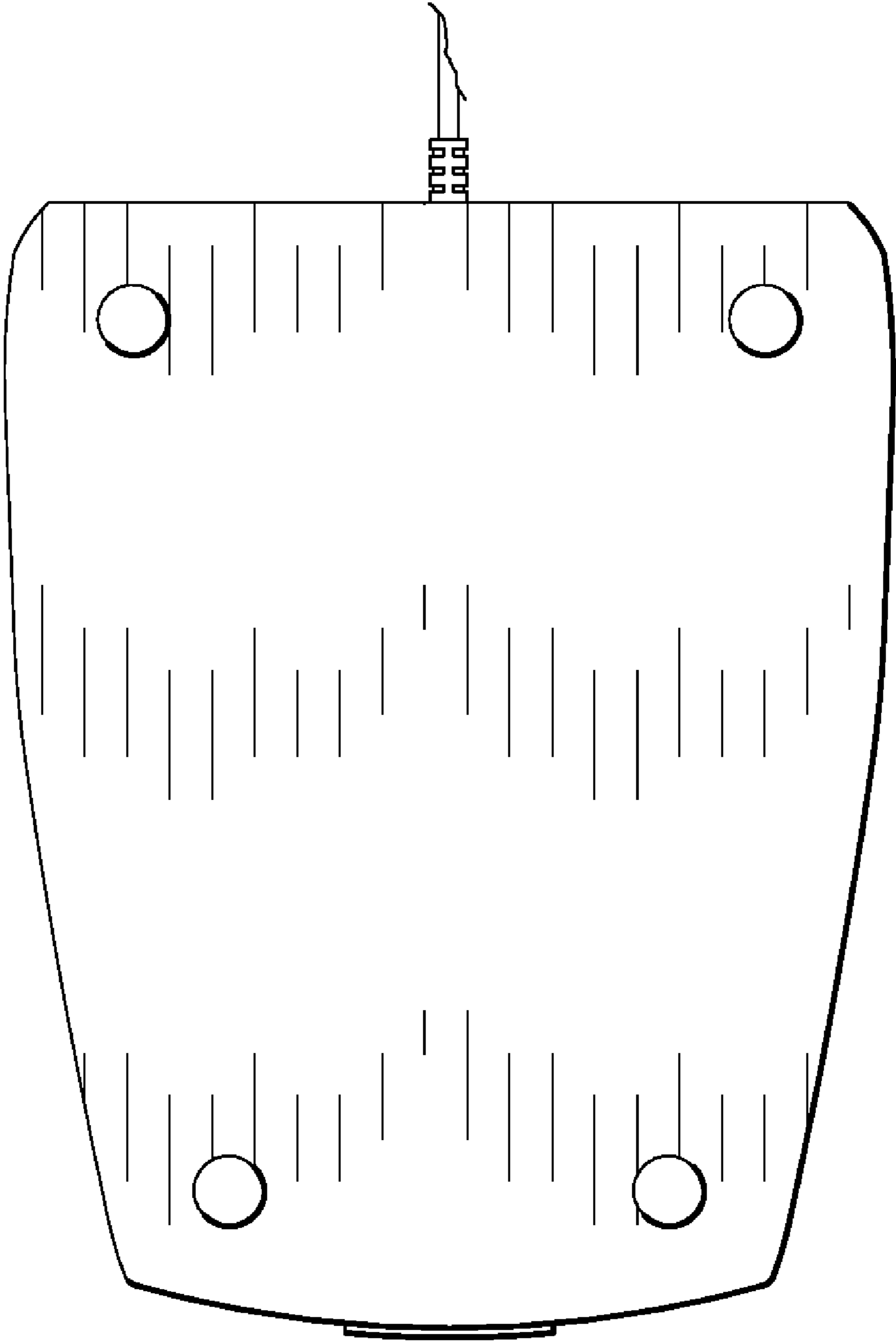


Fig. 8