



US00D666298S

(12) **United States Design Patent**
Sibhatu et al.

(10) **Patent No.:** **US D666,298 S**

(45) **Date of Patent:** **** Aug. 28, 2012**

(54) **DENTAL IMPLANT**

(76) Inventors: **Mussie T. Sibhatu**, Oakland, CA (US);
Frederick Michael Nester, Phoenix, AZ (US)

(**) Term: **14 Years**

(21) Appl. No.: **29/408,874**

(22) Filed: **Dec. 16, 2011**

(51) **LOC (9) Cl.** **24-03**

(52) **U.S. Cl.** **D24/156**

(58) **Field of Classification Search** D24/152,
D24/155-156, 176; 433/172-174, 141, 201.1,
433/169, 193, 181-182

See application file for complete search history.

(56) **References Cited**

U.S. PATENT DOCUMENTS

5,030,095	A *	7/1991	Niznick	433/173
5,071,350	A *	12/1991	Niznick	433/173
6,716,030	B1 *	4/2004	Bulard et al.	433/174
7,291,013	B2 *	11/2007	Aravena et al.	433/173
7,431,589	B2 *	10/2008	Weissman	433/174

2009/0208906	A1 *	8/2009	Callan	433/174
2009/0246733	A1 *	10/2009	Auderset et al.	433/173
2010/0291507	A1 *	11/2010	Abdelgany	433/174

* cited by examiner

Primary Examiner — Wan Laymon

(74) *Attorney, Agent, or Firm* — QuickPatents, Inc.; Kevin Prince

(57) **CLAIM**

We claim the ornamental design for a dental implant, as shown and described.

DESCRIPTION

FIG. 1 is an exploded perspective view of a dental implant, showing our new design;

FIG. 2 is an exploded front elevational view thereof;

FIG. 3 is an exploded rear elevational view thereof;

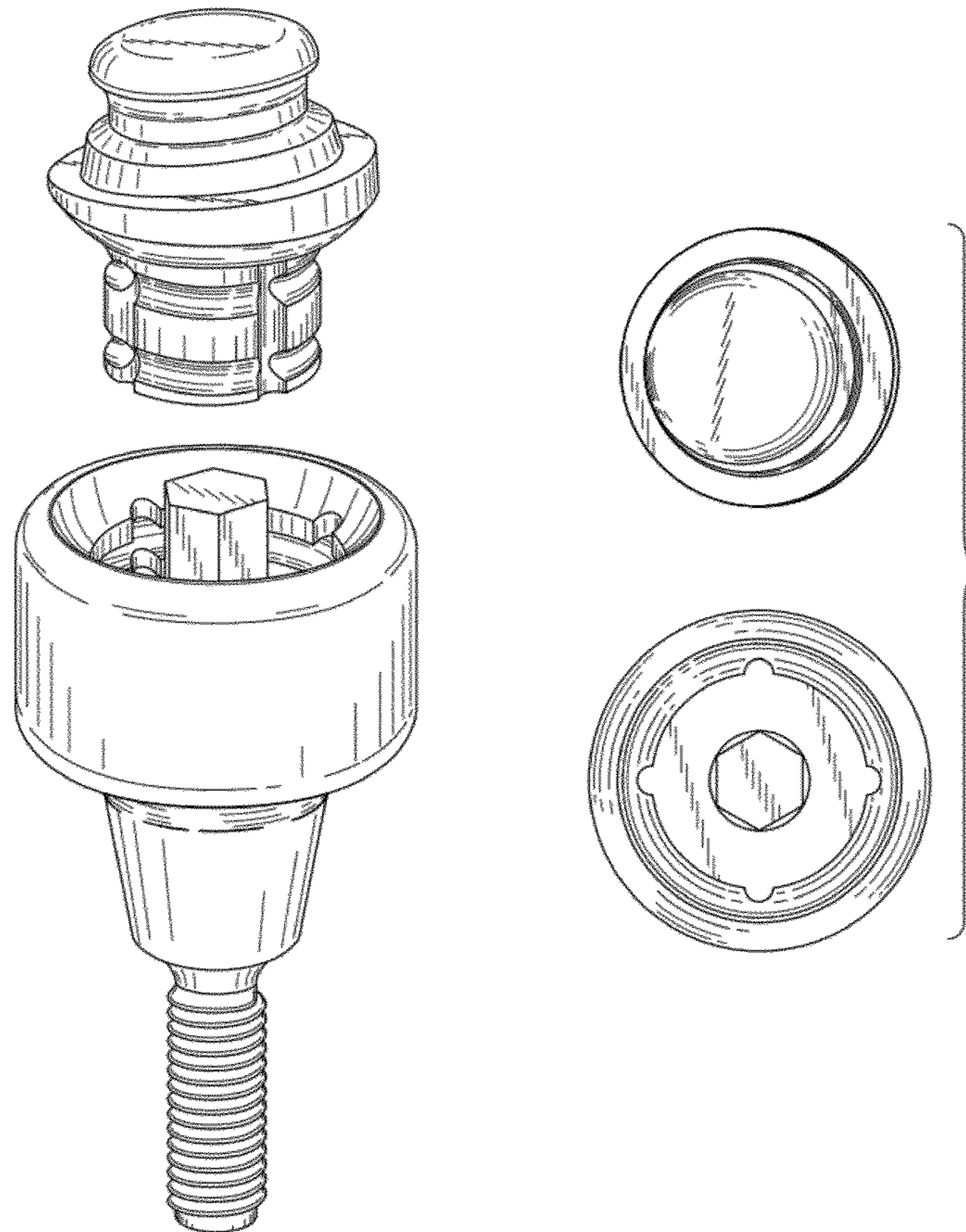
FIG. 4 is an exploded left-side elevational view thereof, the right-side elevational view being a mirror image thereof;

FIG. 5 is an exploded top plan view thereof; and,

FIG. 6 is an exploded bottom plan view thereof.

The broken lines immediately adjacent the shaded areas represent the boundaries of the claimed design. None of the broken lines form part of the claimed design.

1 Claim, 4 Drawing Sheets



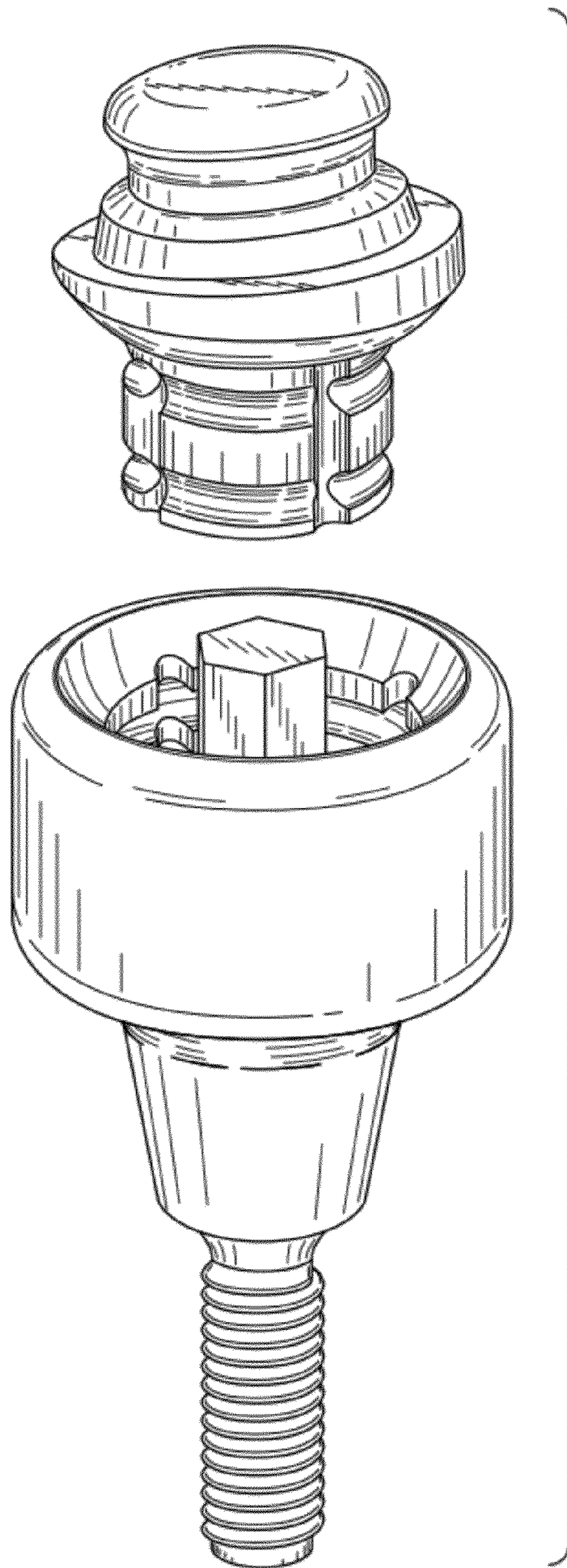


FIG. 1

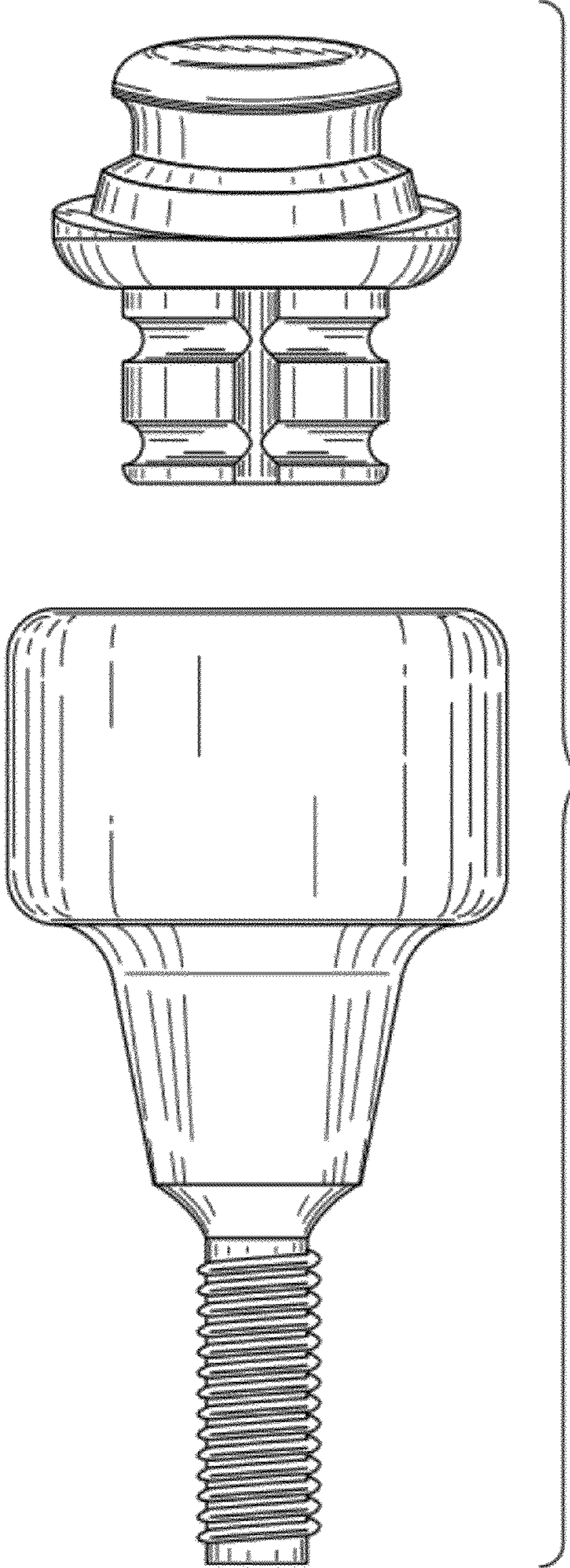


FIG. 2

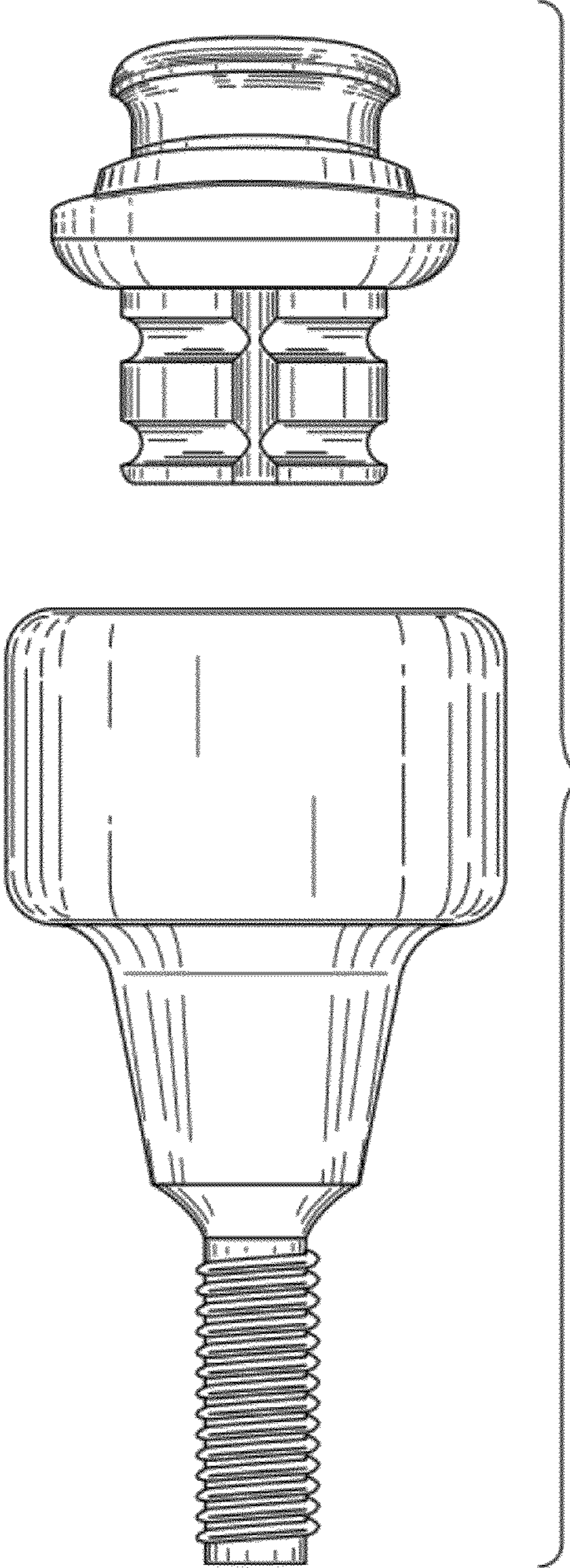


FIG. 3

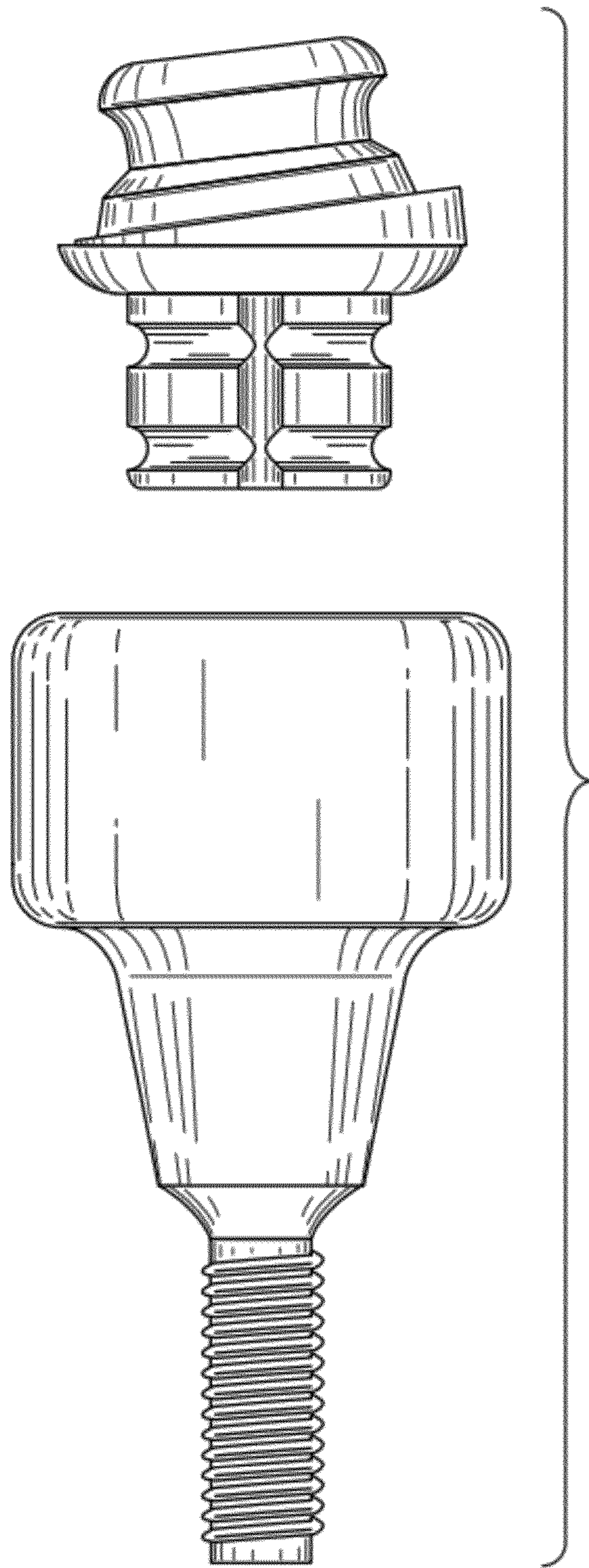


FIG. 4

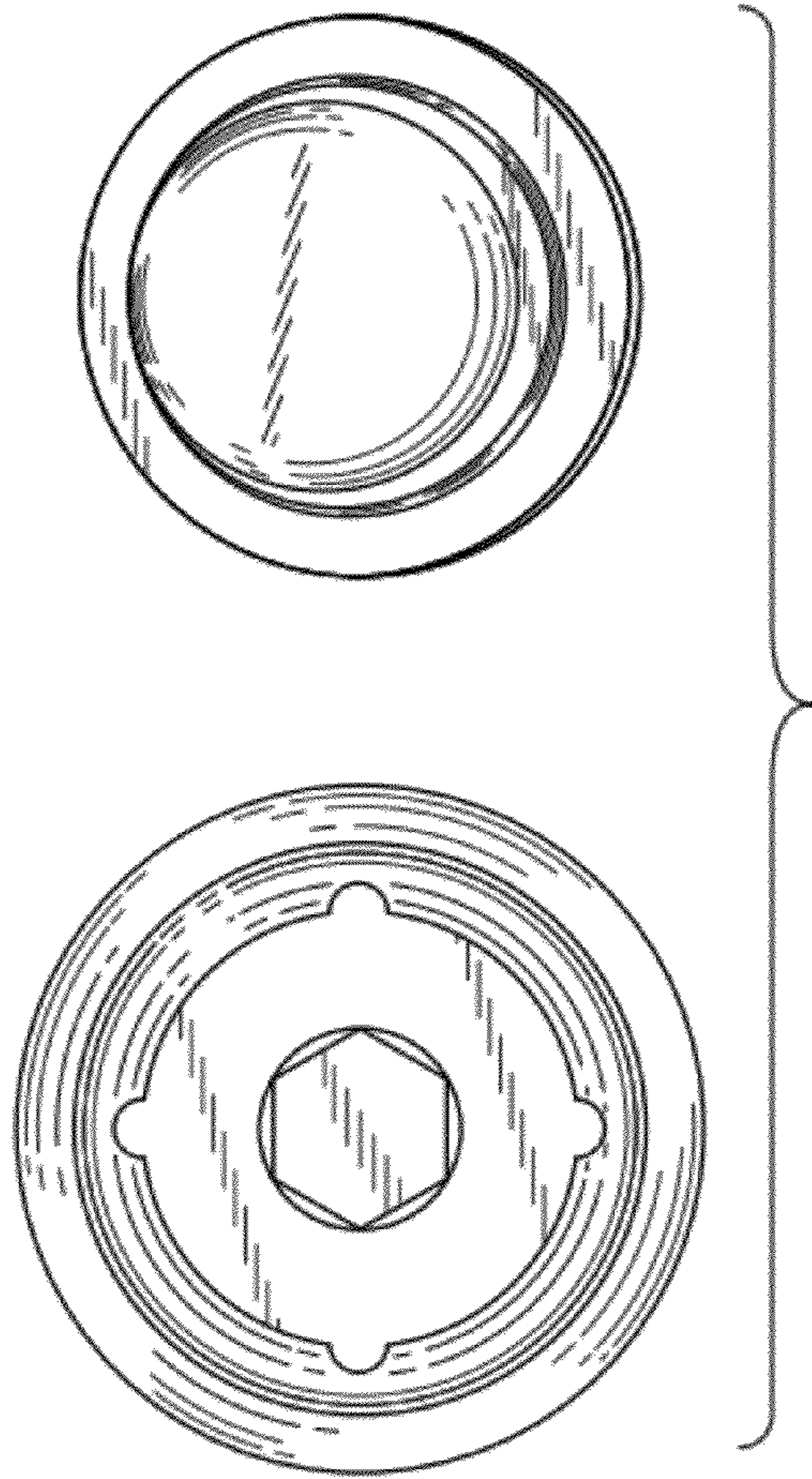


FIG. 5

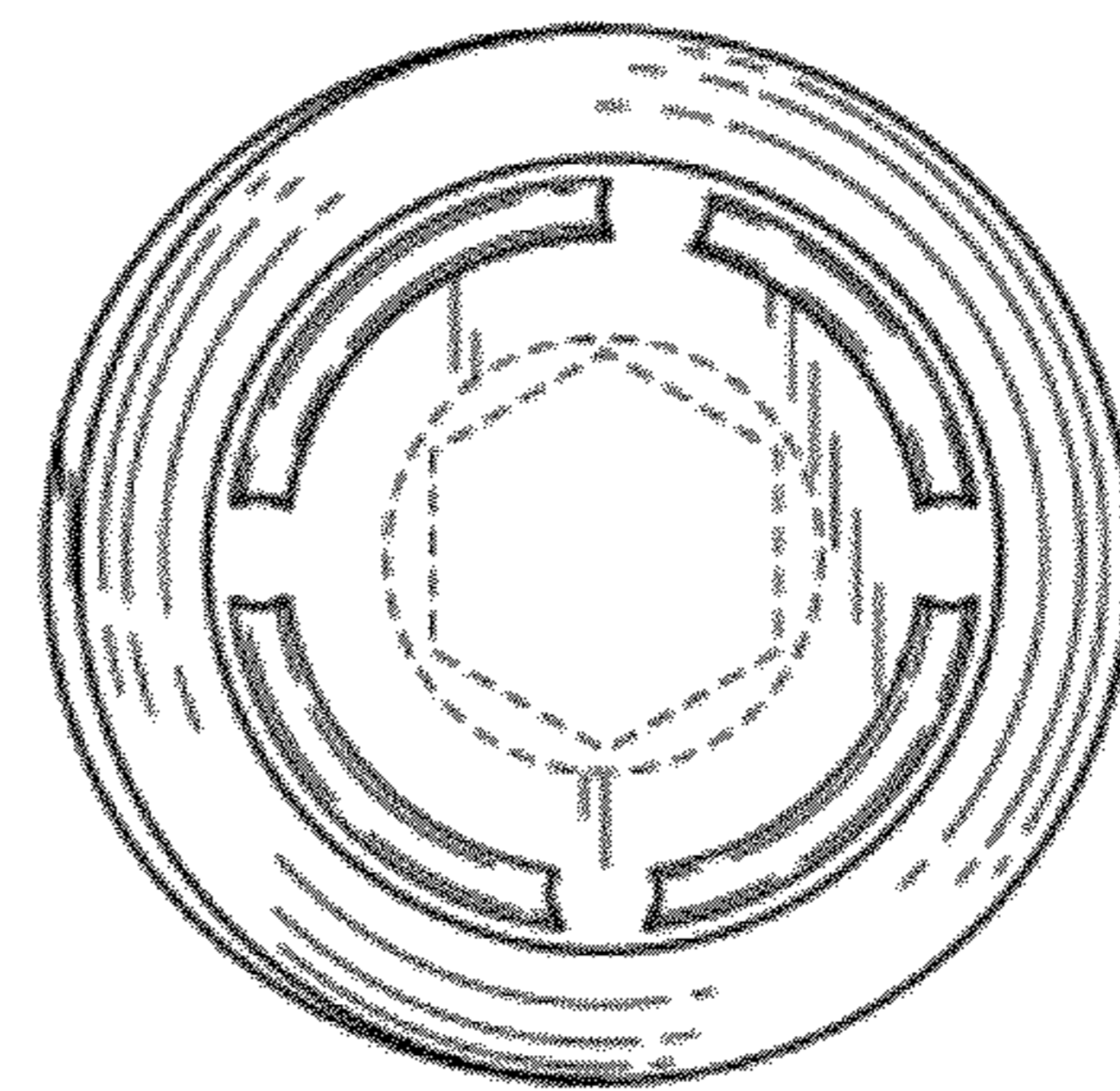


FIG. 6