

US00D666297S

(12) **United States Design Patent**  
**Sibhatu et al.**

(10) **Patent No.:** **US D666,297 S**

(45) **Date of Patent:** **\*\* Aug. 28, 2012**

(54) **DENTAL IMPLANT STUD**

(76) Inventors: **Mussie T. Sibhatu**, Oakland, CA (US);  
**Frederick Michael Nester**, Phoenix, AZ  
(US)

(\*\*) Term: **14 Years**

(21) Appl. No.: **29/406,987**

(22) Filed: **Nov. 21, 2011**

(51) **LOC (9) Cl.** ..... **24-03**

(52) **U.S. Cl.** ..... **D24/156**

(58) **Field of Classification Search** ..... D24/152,  
D24/155-156, 176; 433/172-174, 141, 201.1,  
433/169, 193, 181-182, 18; 623/16, 33  
See application file for complete search history.

(56) **References Cited**

**U.S. PATENT DOCUMENTS**

D296,714	S	*	7/1988	Averill et al.	.....	D24/155
5,417,570	A	*	5/1995	Zuest et al.	.....	433/172
D428,653	S	*	7/2000	Bergstrom et al.	.....	D24/156
D467,341	S	*	12/2002	Meyer et al.	.....	D24/155
D467,343	S	*	12/2002	Whitehead	.....	D24/156
D493,535	S	*	7/2004	Whitehead	.....	D24/156

7,018,202	B2	*	3/2006	Teramoto	.....	433/18
D617,459	S	*	6/2010	Bogue	.....	D24/155
D641,476	S	*	7/2011	Sibhatu et al.	.....	D24/156
D642,272	S	*	7/2011	Aldecoa	.....	D24/156
2010/0190136	A1	*	7/2010	Altmann	.....	433/173

\* cited by examiner

*Primary Examiner* — Wan Laymon

(74) *Attorney, Agent, or Firm* — QuickPatents, Inc.; Kevin Prince

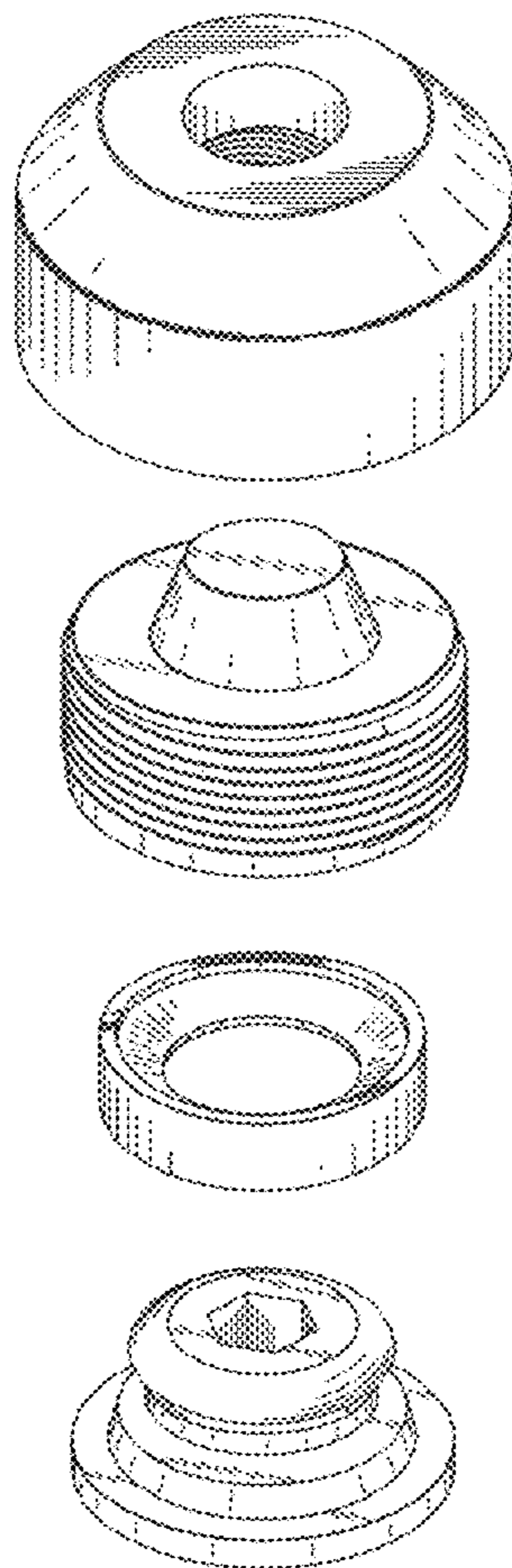
(57) **CLAIM**

We claim the ornamental design for a dental implant stud, as shown and described.

**DESCRIPTION**

FIG. 1 is an exploded perspective view of a dental implant stud, showing our new design; FIG. 2 is an exploded top plan view thereof; FIG. 3 is an exploded bottom plan view thereof; FIG. 4 is an exploded left-side elevational view thereof, the right-side elevational view being a mirror image thereof; and, FIG. 5 is an exploded cross-sectional view thereof, taken generally along lines 5-5 of FIG. 4.

**1 Claim, 5 Drawing Sheets**



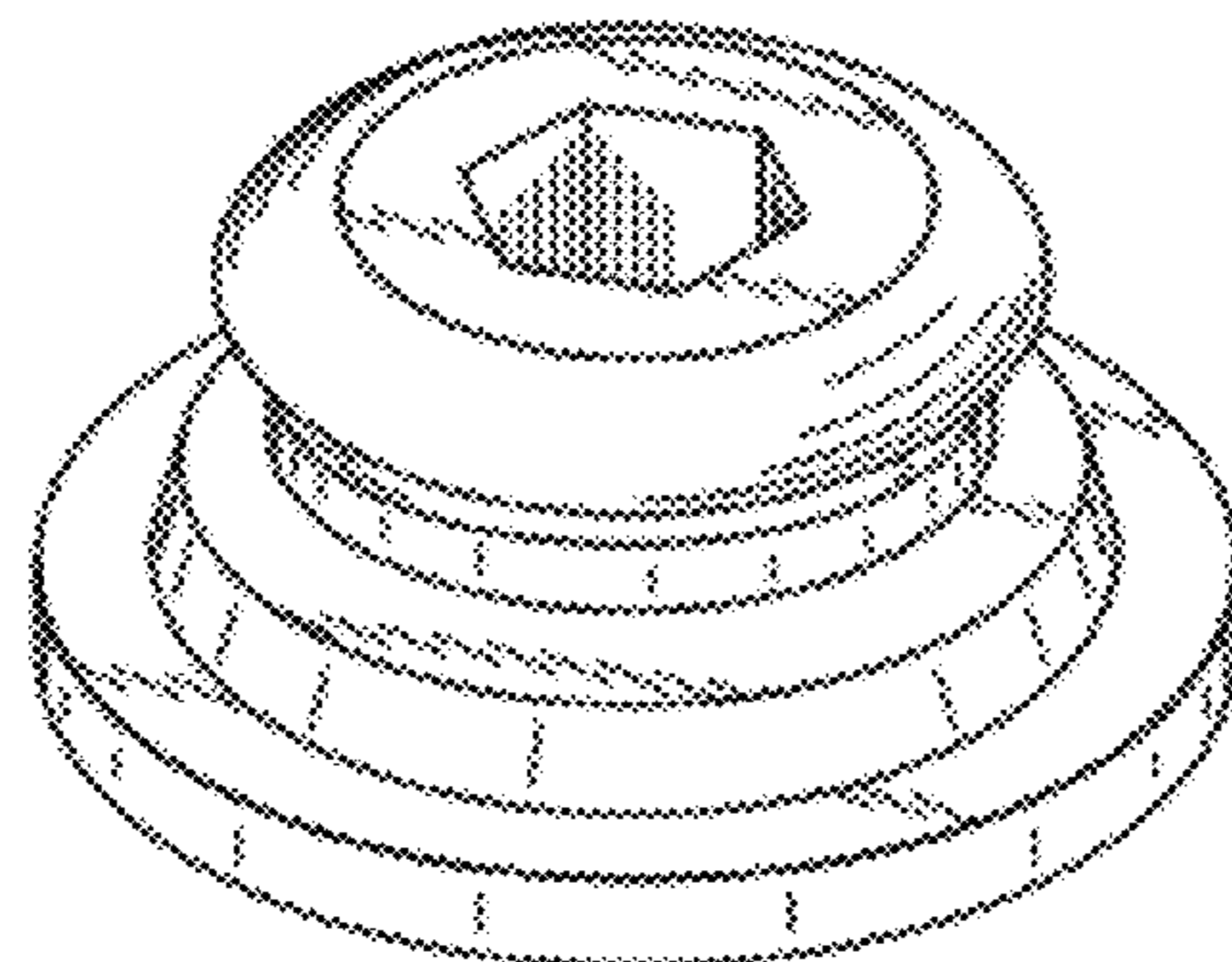
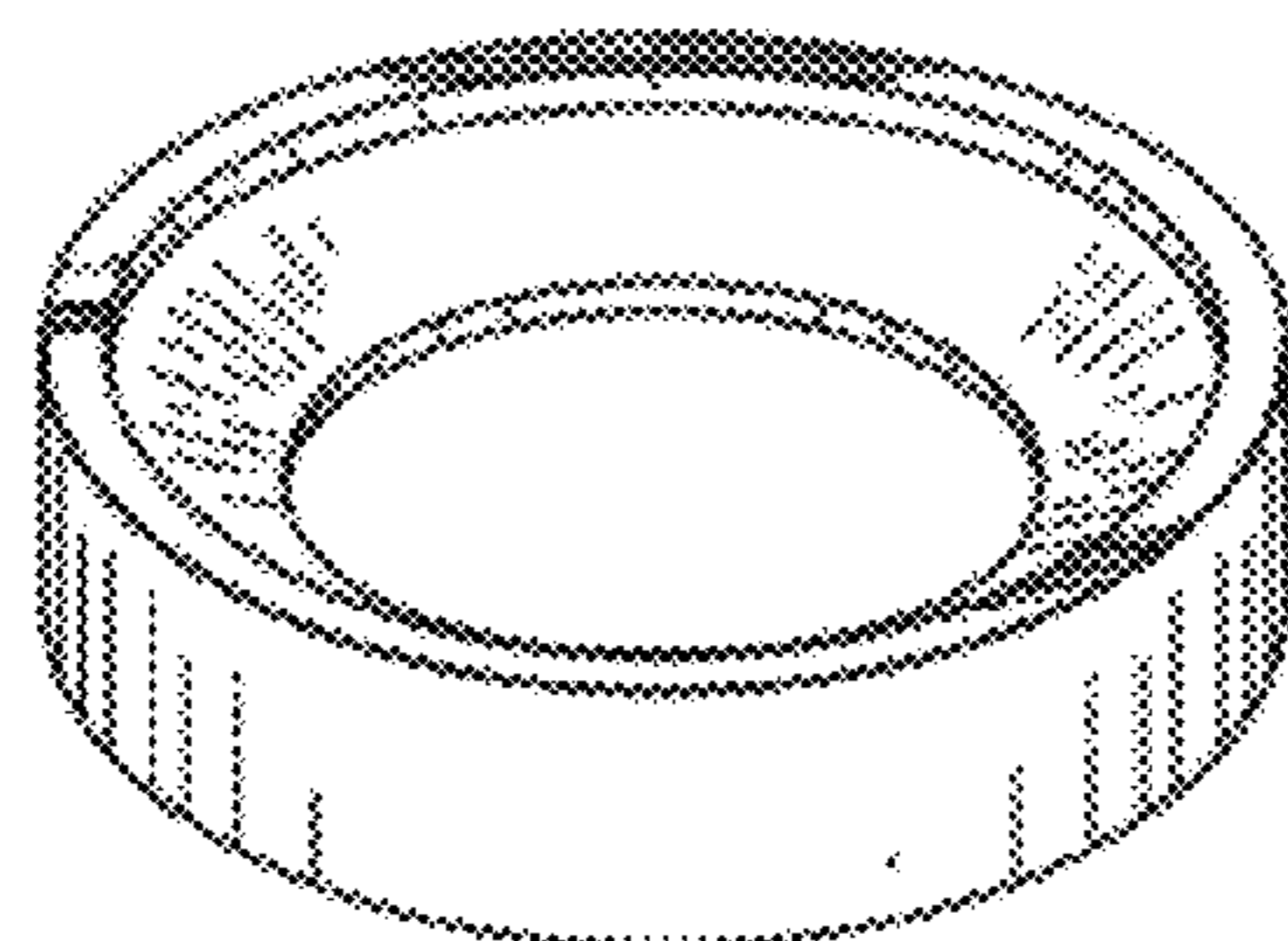
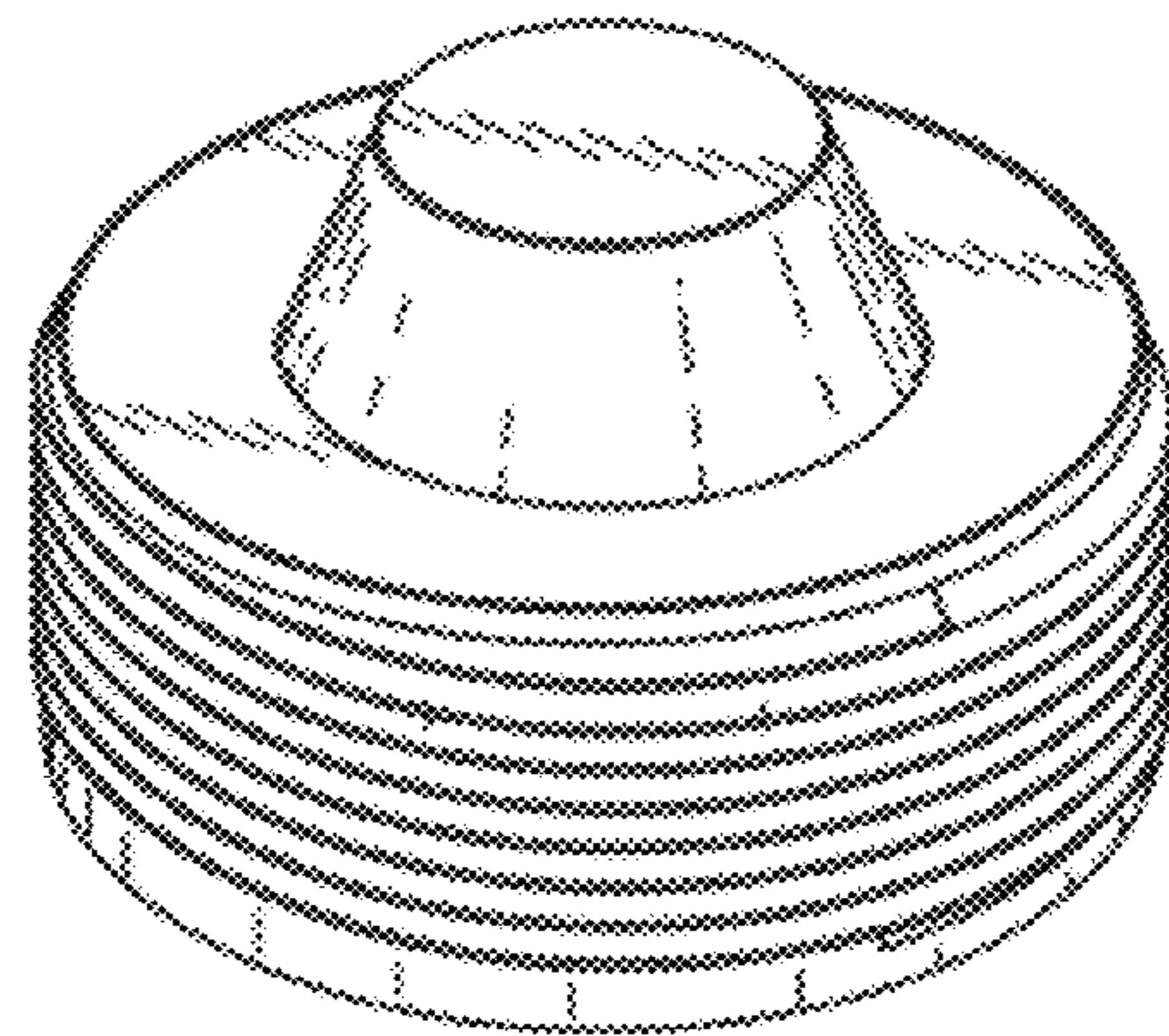
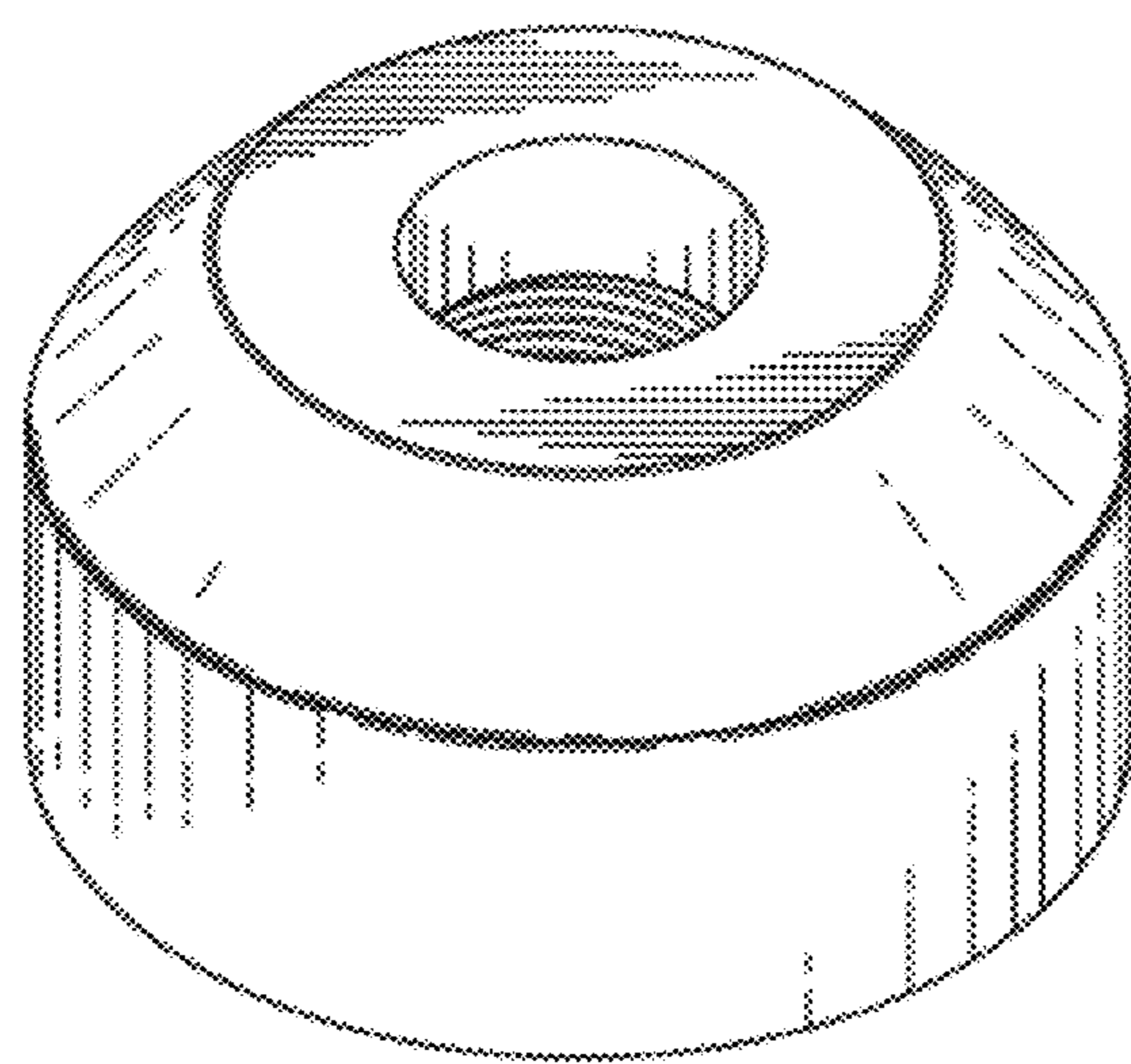


FIG. 1



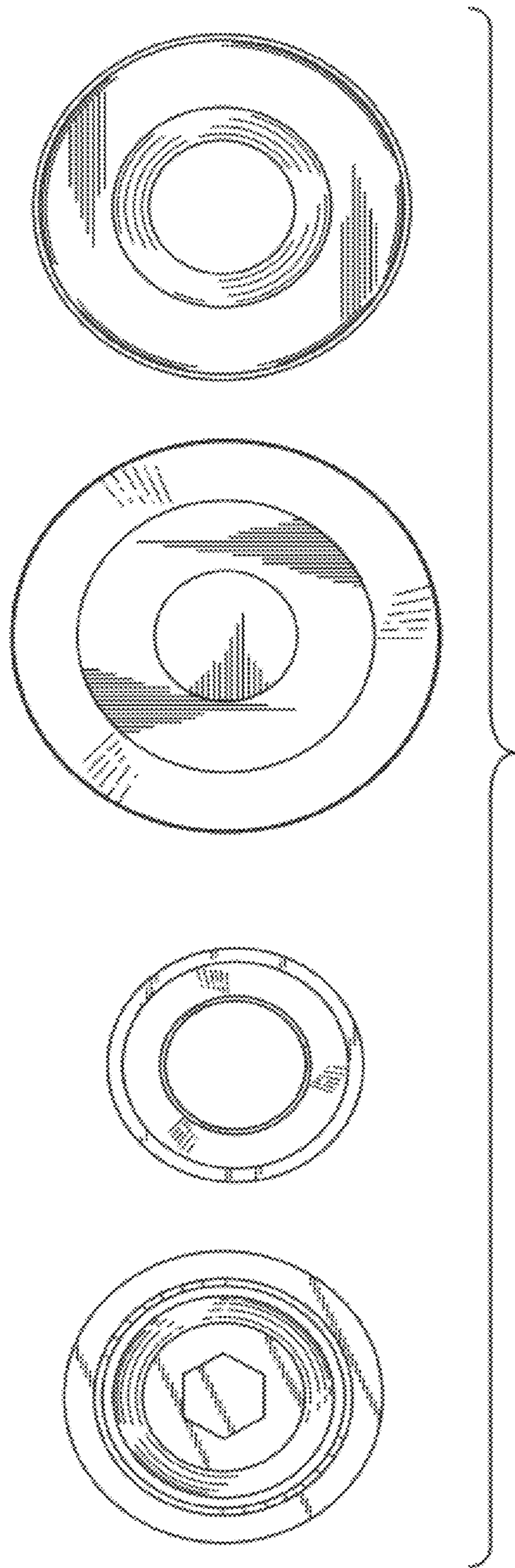


FIG. 2

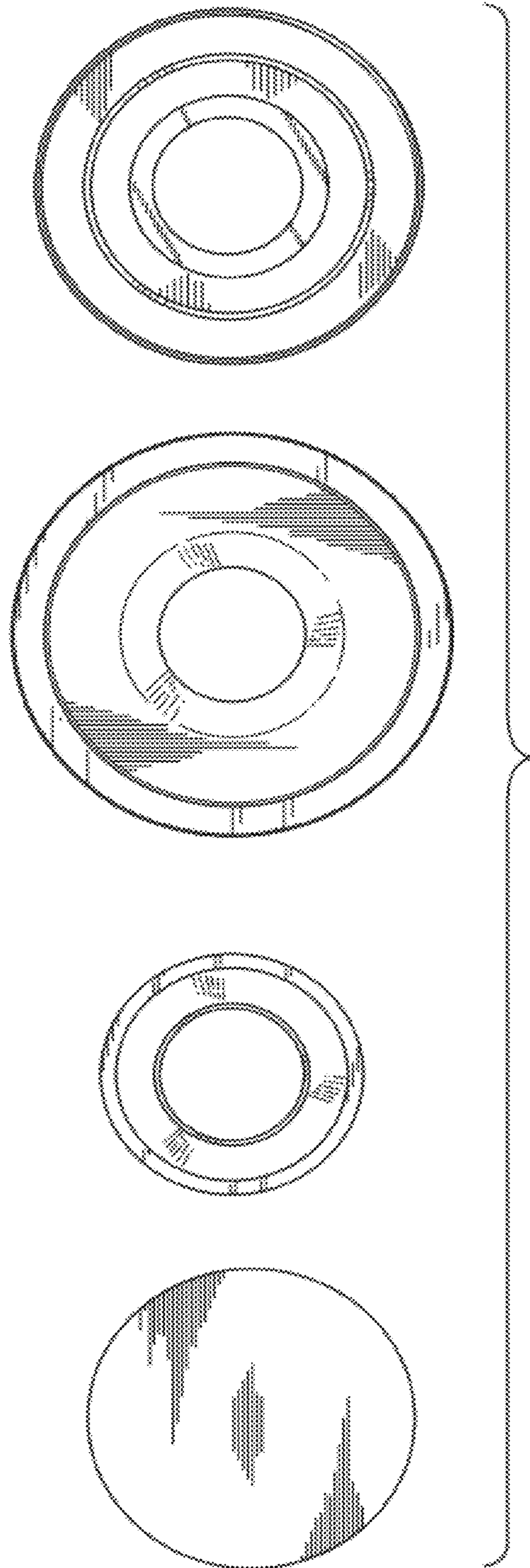
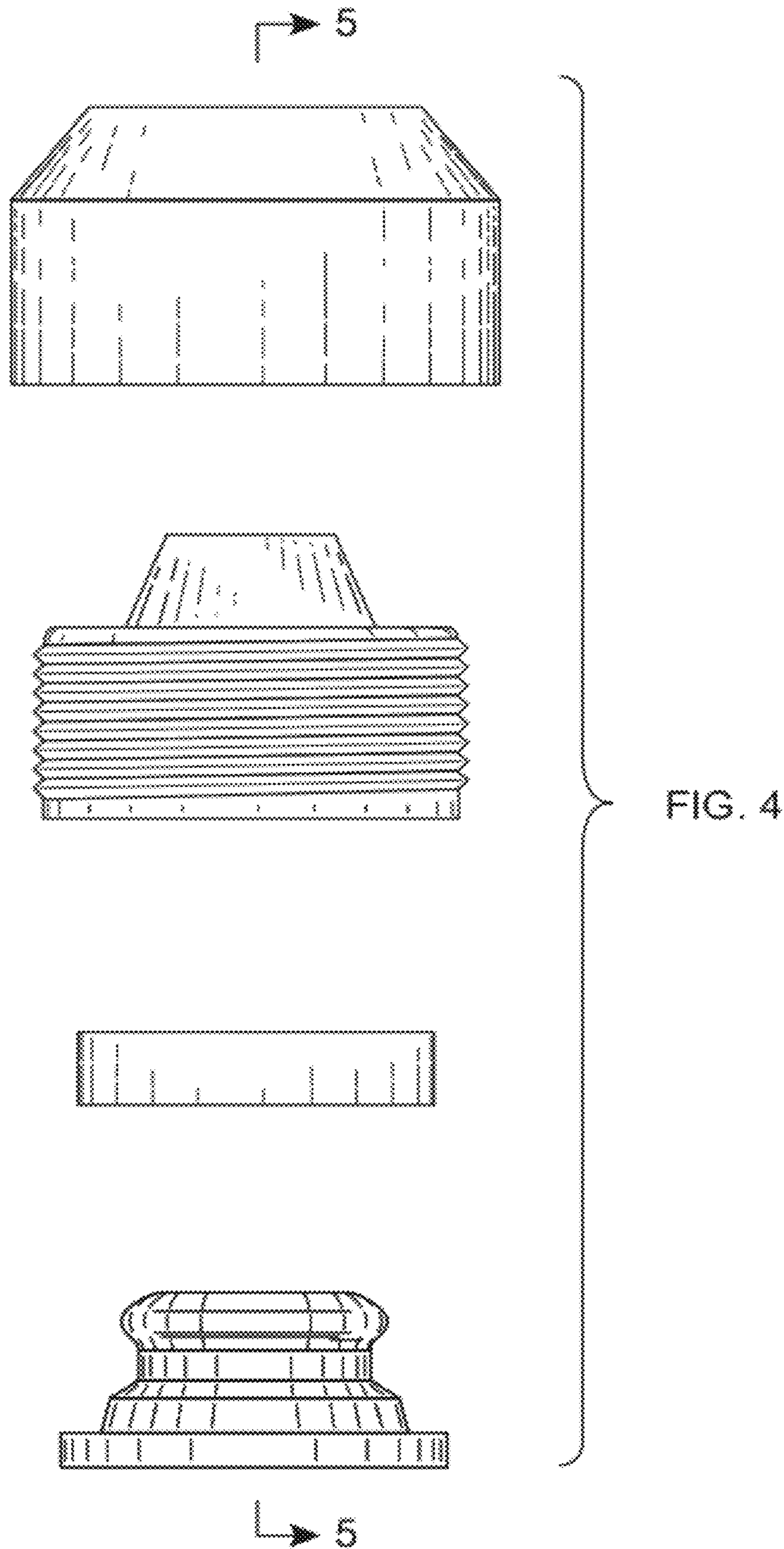


FIG. 3





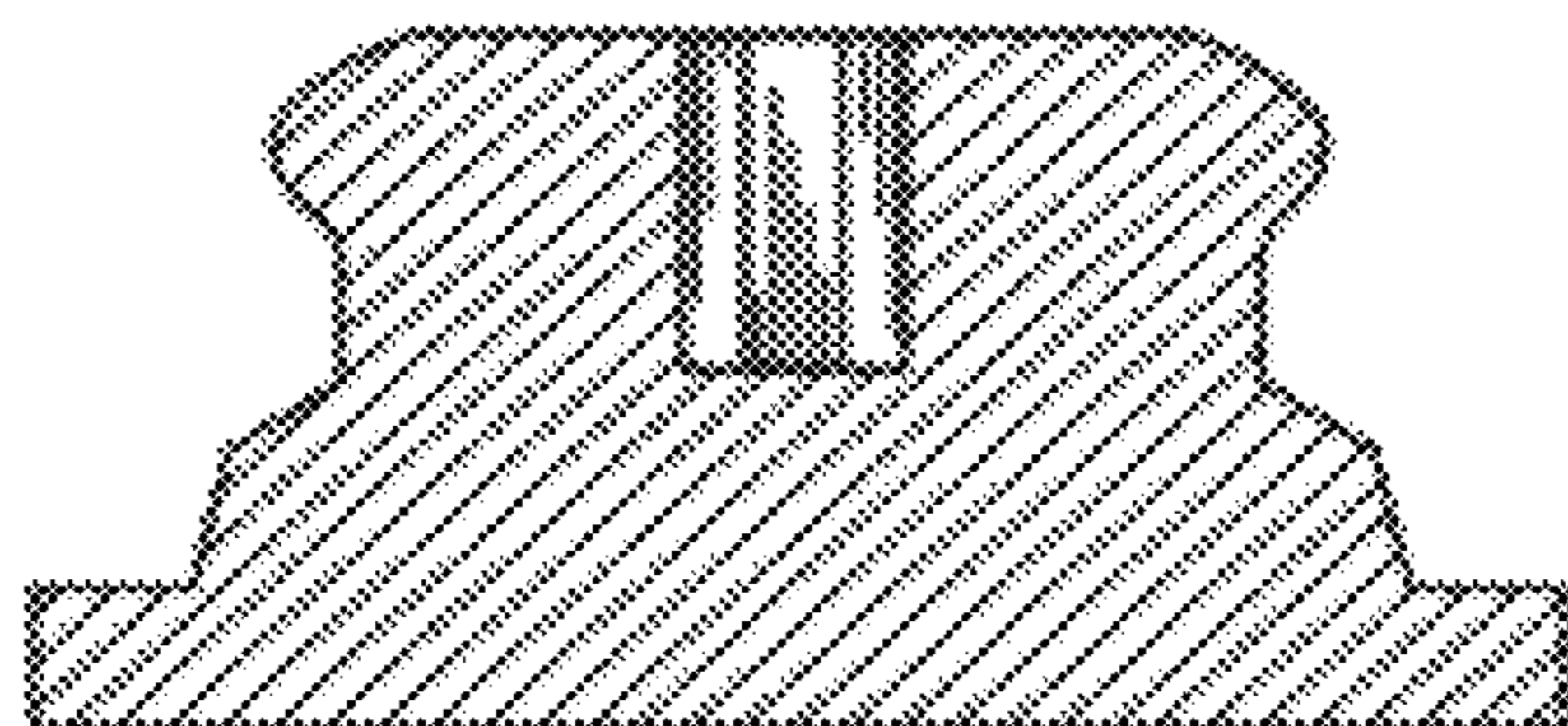
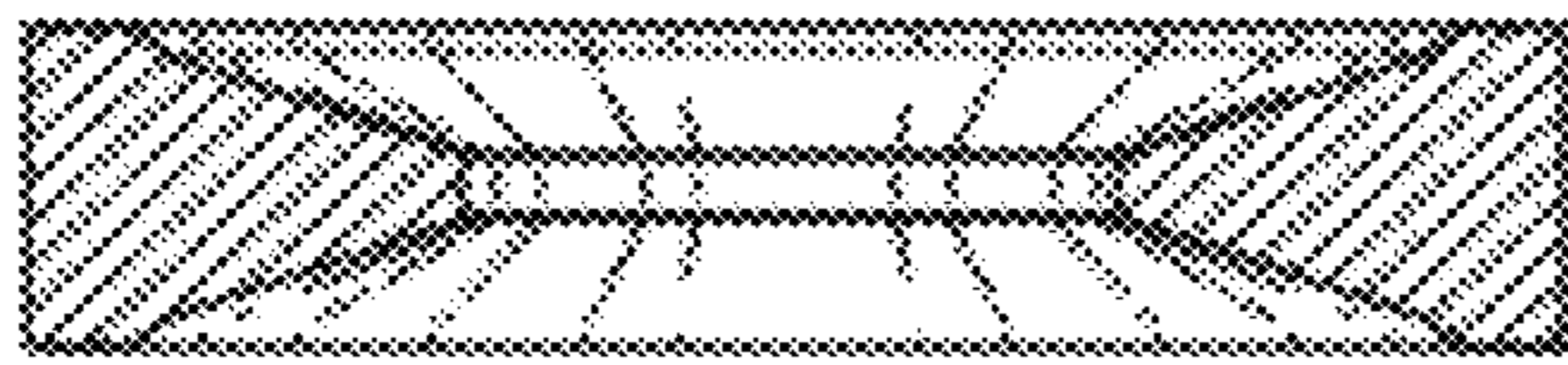
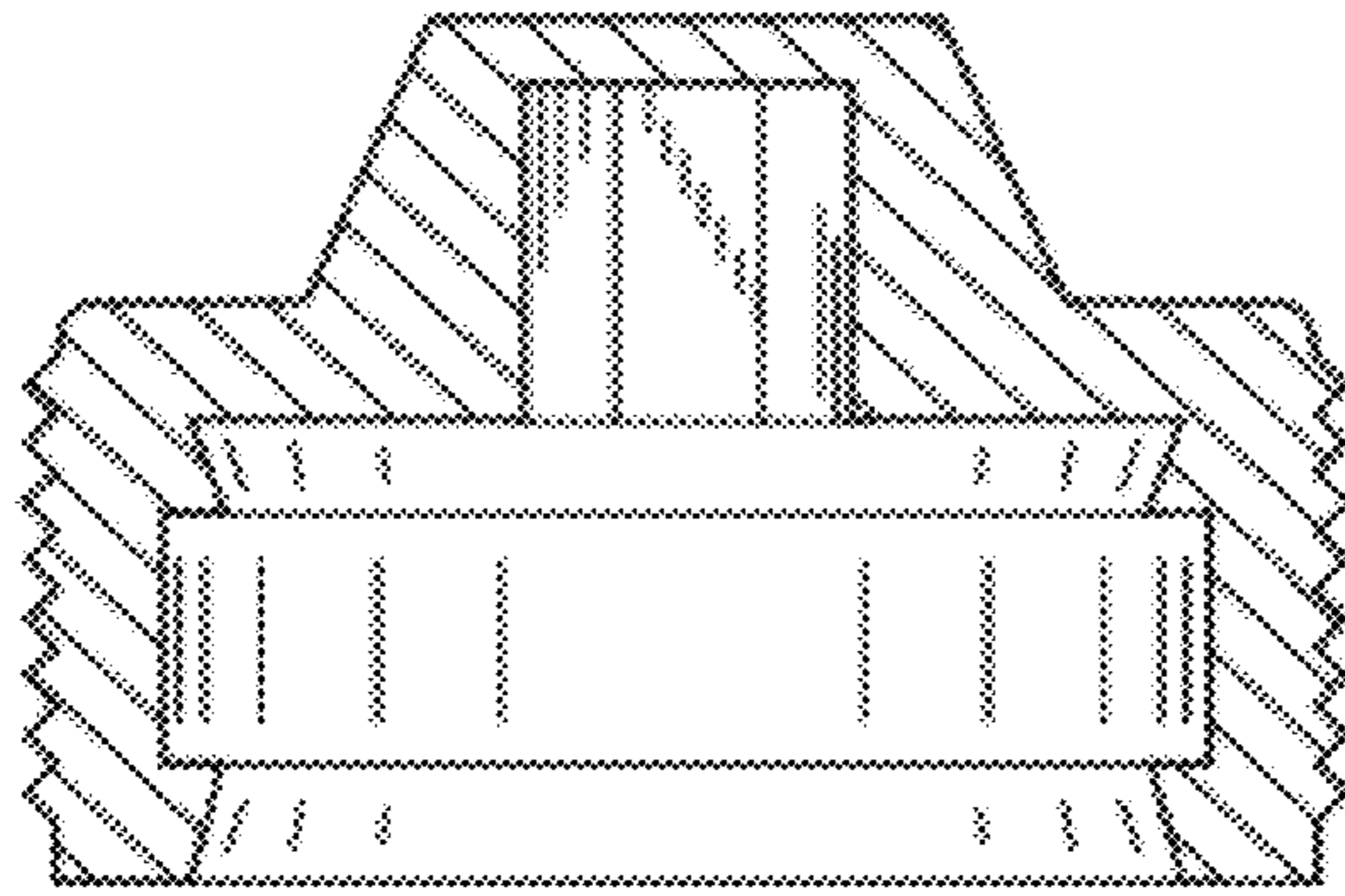
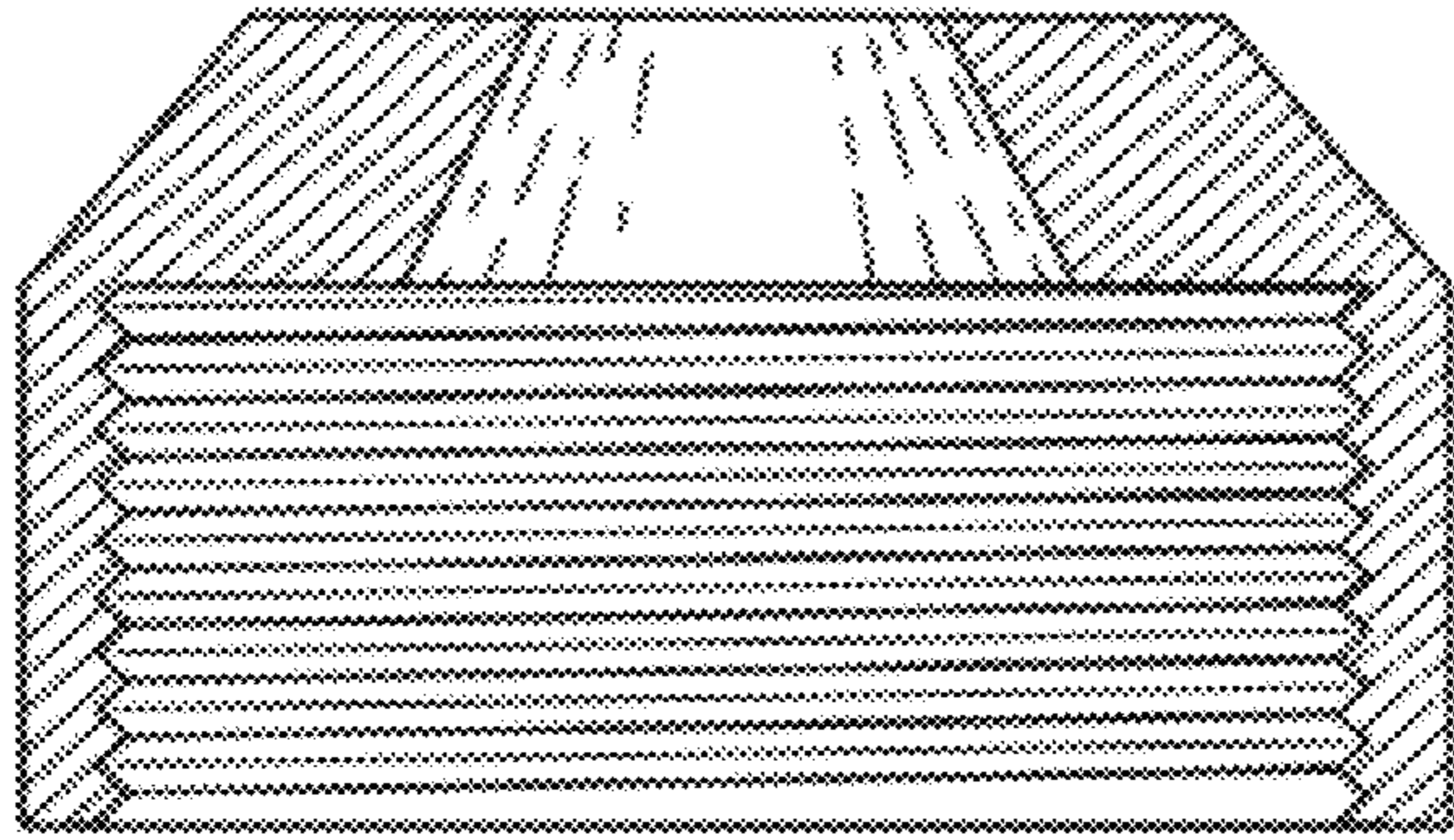


FIG. 5