

US00D666296S

(12) **United States Design Patent**
Sibhatu et al.

(10) **Patent No.:** **US D666,296 S**

(45) **Date of Patent:** **** Aug. 28, 2012**

(54) **LOCATOR SAFETY SPACER CLIP**

(76) Inventors: **Mussie Tekle Sibhatu**, Scottsdale, AZ
(US); **Frederick Michael Nester**,
Phoenix, AZ (US)

(**) Term: **14 Years**

(21) Appl. No.: **29/377,630**

(22) Filed: **Oct. 22, 2010**

(51) **LOC (9) Cl.** **24-03**

(52) **U.S. Cl.** **D24/156**

(58) **Field of Classification Search** D24/156,
D24/155, 176, 180; 433/172-174, 201.1,
433/214, 141, 225

See application file for complete search history.

(56) **References Cited**

U.S. PATENT DOCUMENTS

D277,607	S	*	2/1985	Himeno	D24/155
4,500,292	A	*	2/1985	Misch	433/173
4,881,898	A	*	11/1989	Harvey et al.	433/214
5,145,372	A	*	9/1992	Daftary et al.	433/173
D410,083	S	*	5/1999	Broberg et al.	D24/156

7,059,856	B2	*	6/2006	Marotta	433/214
D611,148	S	*	3/2010	White, III	D24/156
D612,056	S	*	3/2010	White, III	D24/156

* cited by examiner

Primary Examiner — Wan Laymon

(74) *Attorney, Agent, or Firm* — QuickPatents, Inc.; Kevin Prince

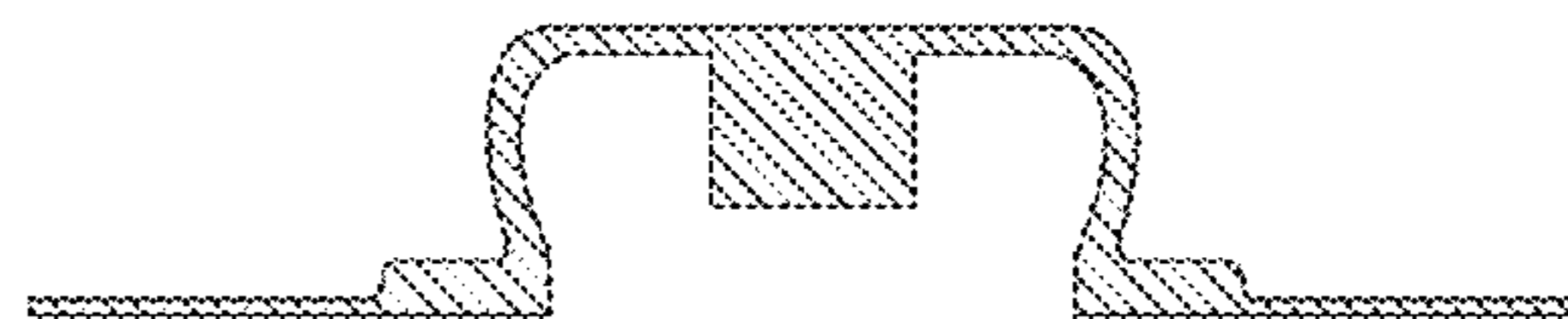
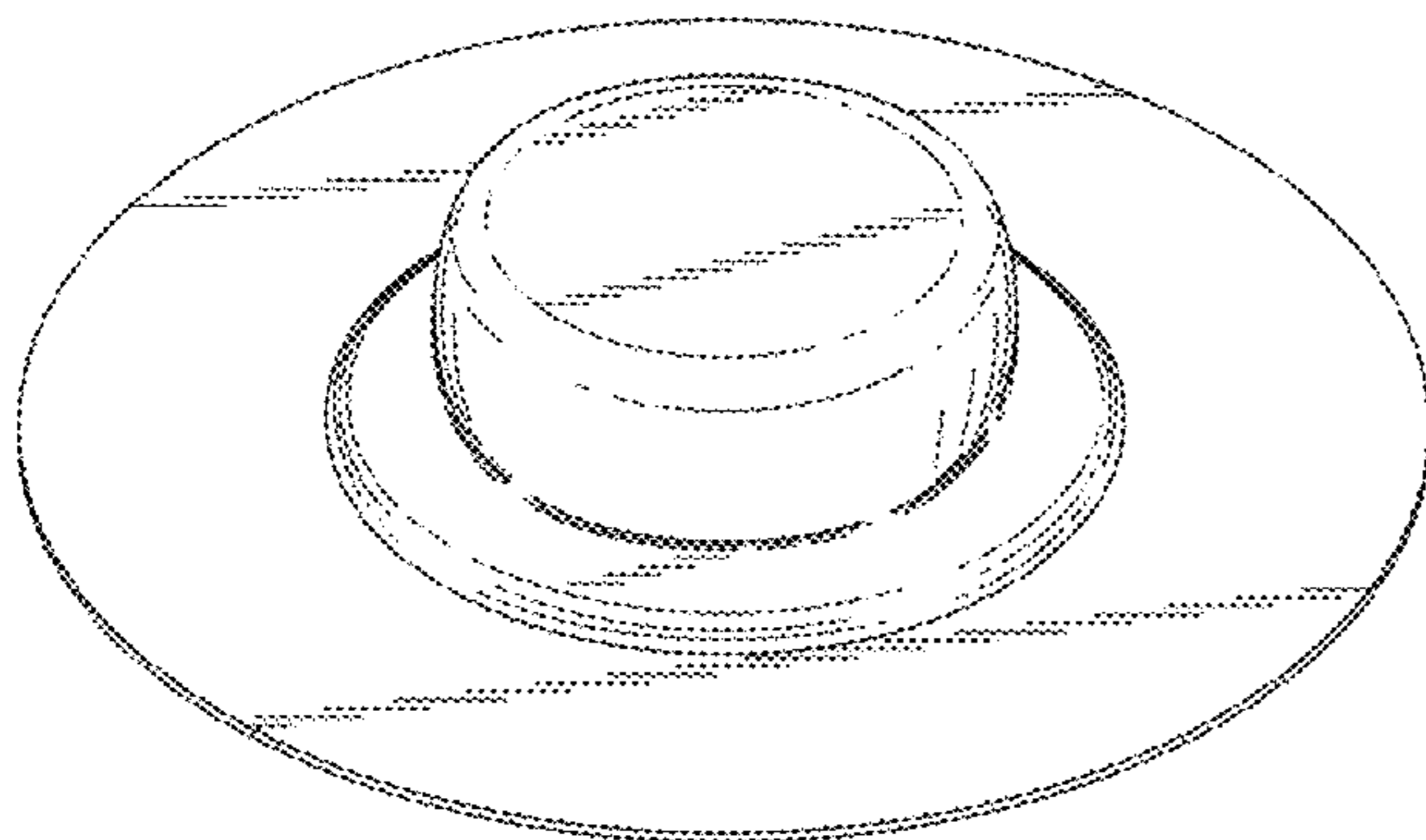
(57) **CLAIM**

What is claimed is the ornamental design for a locator safety spacer clip, as shown and described.

DESCRIPTION

FIG. 1 is a perspective view of a locator safety spacer clip, showing the new design;
FIG. 2 is a front elevational view thereof, the rear elevational, left-side elevational, and right-side elevational views all being a mirror image thereof;
FIG. 3 is a top plan view thereof;
FIG. 4 is a bottom plan view thereof; and,
FIG. 5 is a cross-sectional view thereof, taken generally along lines 5-5 of FIG. 2.

1 Claim, 4 Drawing Sheets



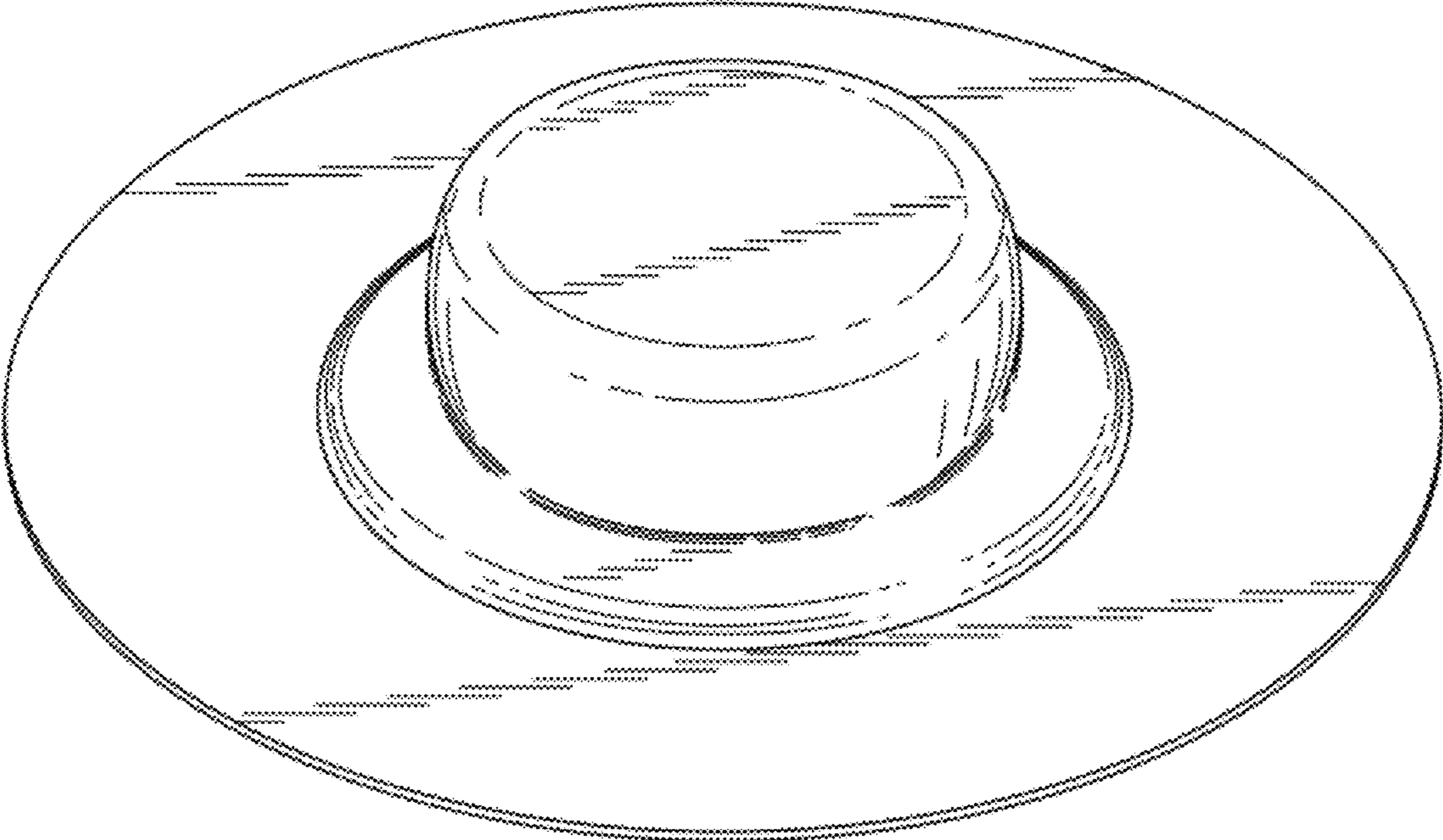
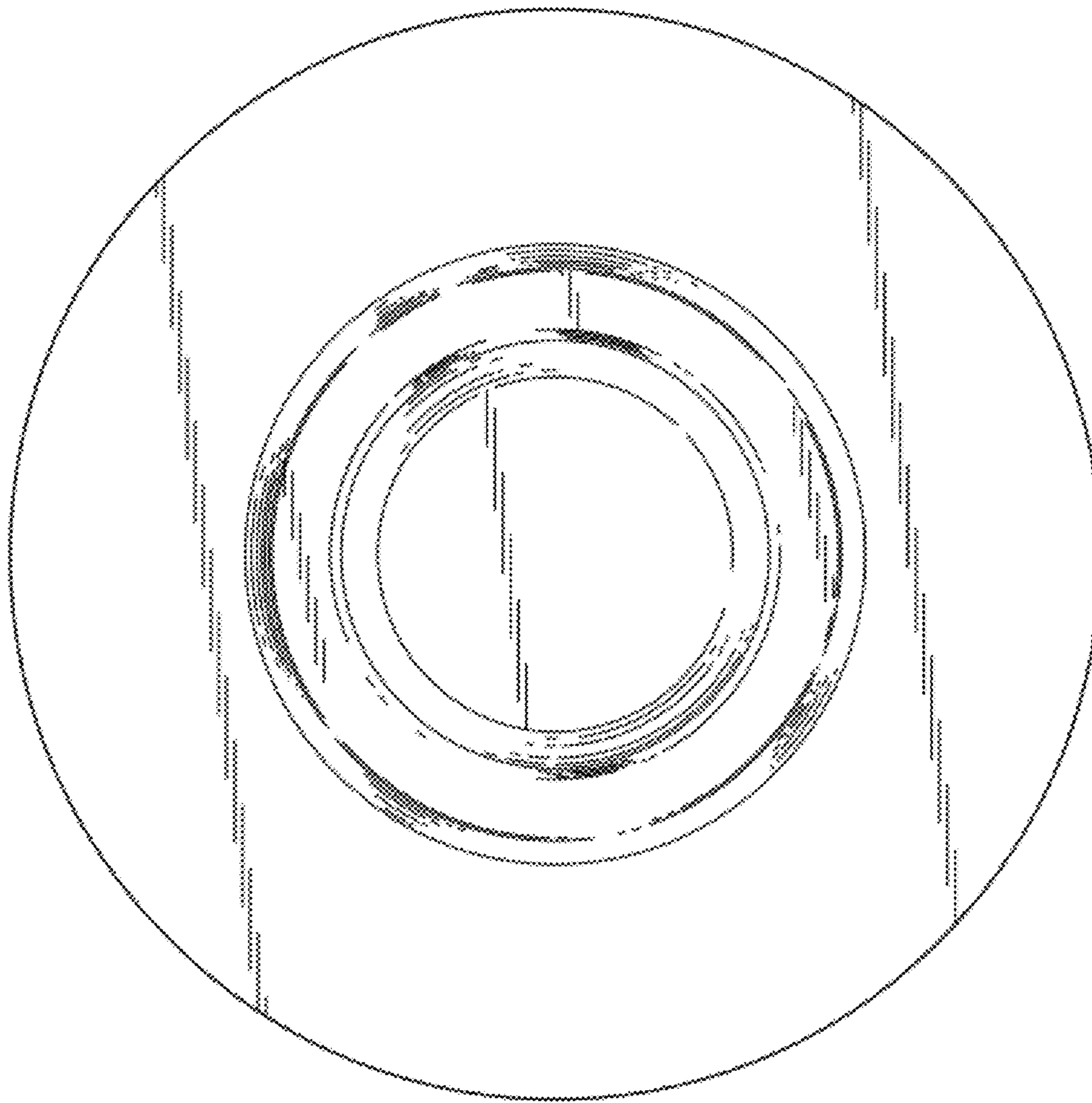
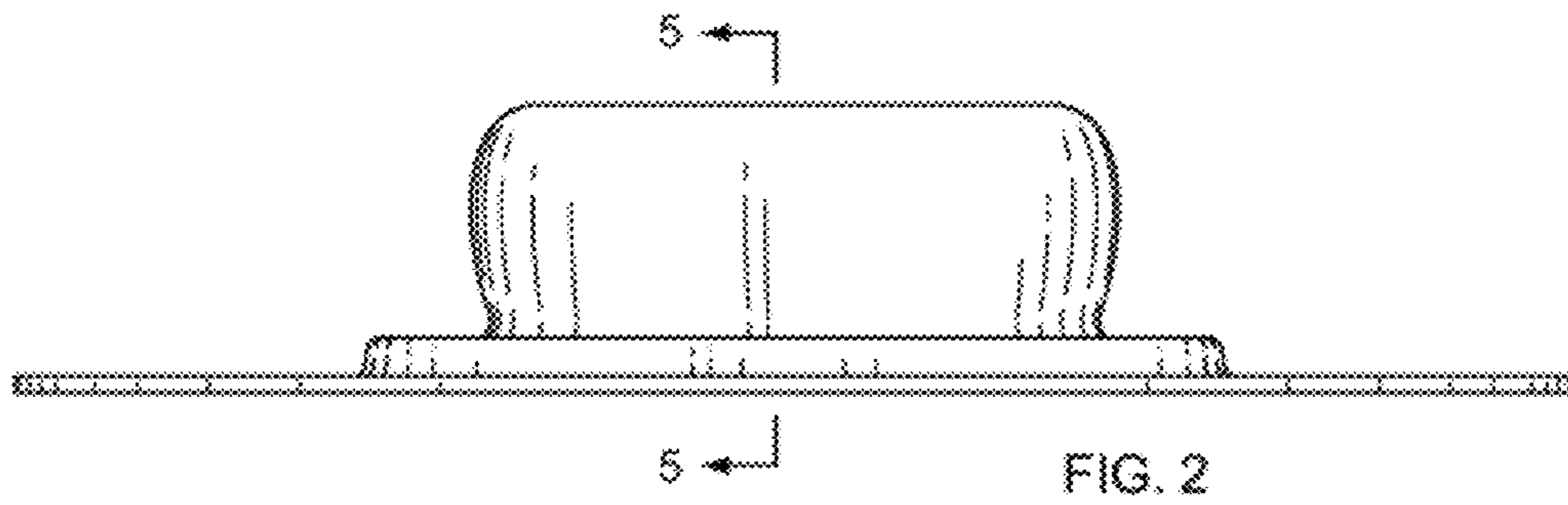


FIG. 1



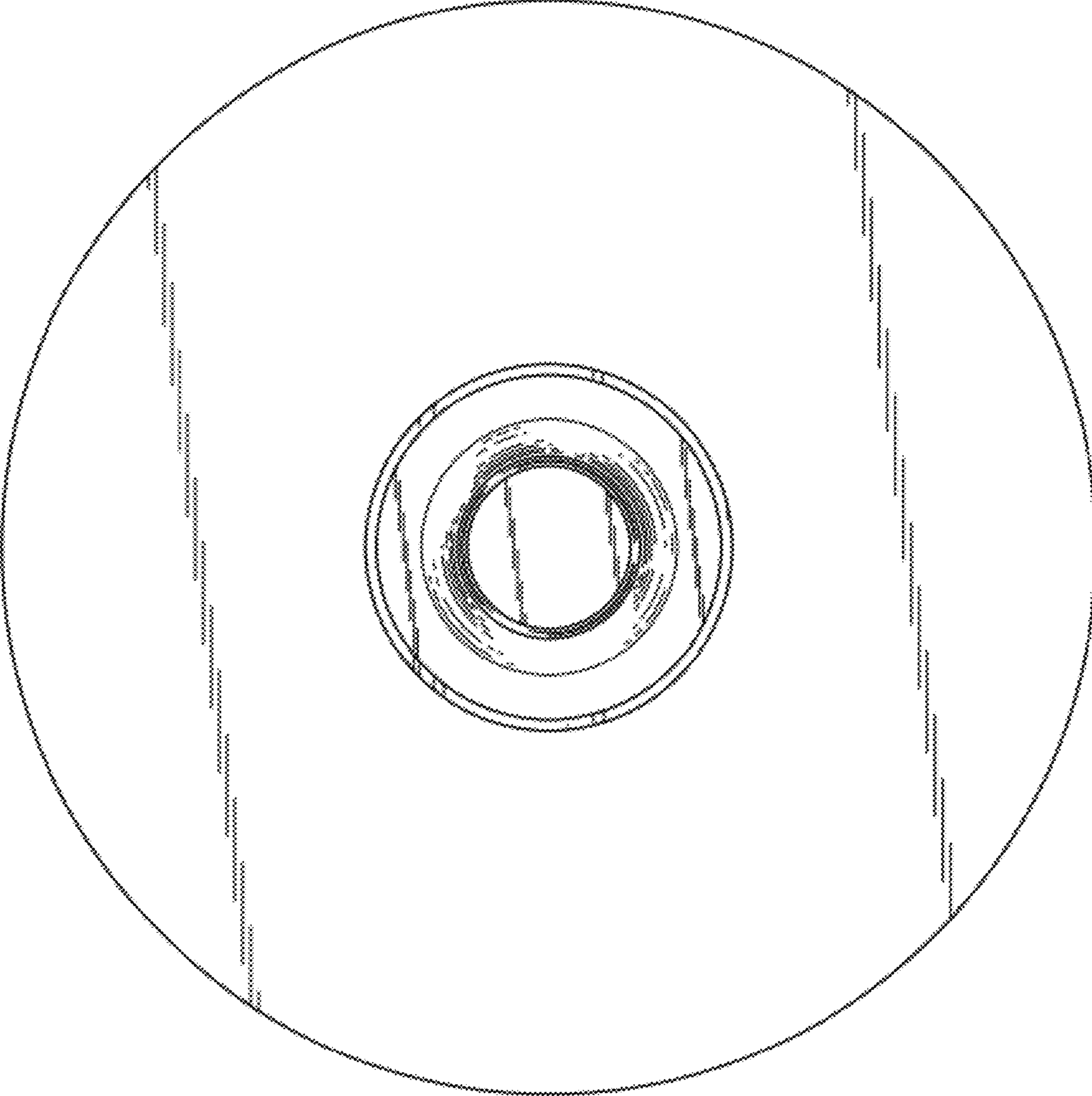


FIG. 4

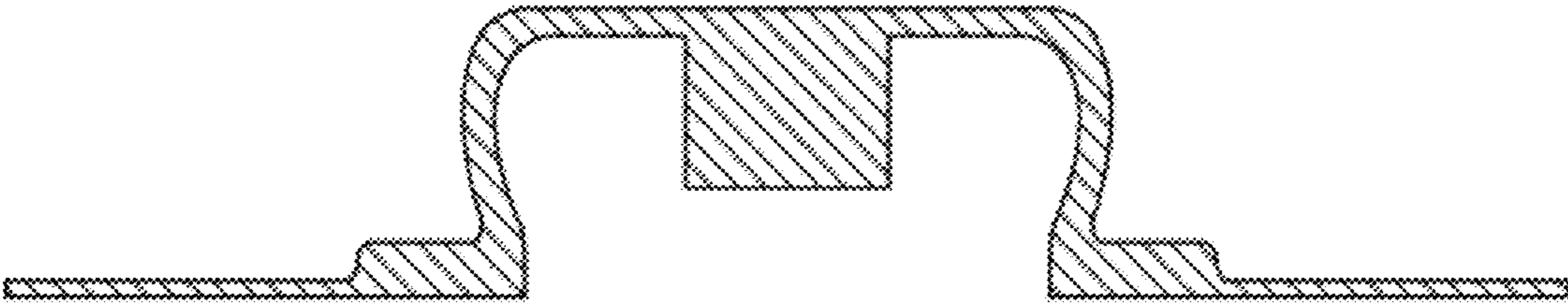


FIG. 5