

US00D666294S

(12) **United States Design Patent**
Miles et al.

(10) **Patent No.:** **US D666,294 S**

(45) **Date of Patent:** **** *Aug. 28, 2012**

(54) **DILATOR**

(75) Inventors: **Patrick Miles**, San Diego, CA (US);
Scot Martinelli, Mountain Top, PA
(US); **Eric Finley**, Poway, CA (US)

(73) Assignee: **NuVasive, Inc.**, San Diego, CA (US)

(*) Notice: This patent is subject to a terminal disclaimer.

(**) Term: **14 Years**

(21) Appl. No.: **29/411,652**

(22) Filed: **Jan. 24, 2012**

Related U.S. Application Data

(63) Continuation of application No. 29/360,368, filed on Apr. 23, 2010, now Pat. No. Des. 652,921, which is a continuation of application No. 12/428,081, filed on Apr. 22, 2009, now Pat. No. 7,935,051, which is a continuation of application No. 10/608,362, filed on Jun. 26, 2003, now Pat. No. 7,582,058.

(51) **LOC (9) Cl.** **24-02**

(52) **U.S. Cl.** **D24/135**

(58) **Field of Classification Search** D24/135,
D24/112, 130, 133, 140, 147, 149; 600/200,
600/202, 184, 220-227, 201, 203, 210-218;
606/191-200, 201-202

See application file for complete search history.

(56) **References Cited**

U.S. PATENT DOCUMENTS

208,227 A 9/1878 Dorr
972,983 A 10/1910 Arthur
1,328,624 A 1/1920 Graham
4,545,374 A 10/1985 Jacobson
4,573,448 A 3/1986 Kambin

D300,561 S * 4/1989 Asa et al. D24/112
4,917,274 A * 4/1990 Asa et al. 222/420
5,007,902 A 4/1991 Witt
5,171,279 A 12/1992 Mathews
5,295,994 A 3/1994 Bonutti
5,312,417 A 5/1994 Wilk
5,331,975 A 7/1994 Bonutti
5,342,384 A 8/1994 Sugarbaker
5,378,241 A 1/1995 Haindl
5,395,317 A 3/1995 Kambin
D364,501 S * 11/1995 Gough D3/203.8
5,509,893 A 4/1996 Pracas
5,514,153 A 5/1996 Bonutti
5,599,279 A 2/1997 Slotman
5,707,359 A 1/1998 Bufalini
5,762,629 A 6/1998 Kambin
5,792,044 A 8/1998 Foley
5,814,073 A 9/1998 Bonutti
5,817,071 A 10/1998 Dewindt
5,888,196 A 3/1999 Bonutti
5,902,231 A 5/1999 Foley
5,976,146 A 11/1999 Ogawa
6,007,487 A 12/1999 Foley
6,010,520 A * 1/2000 Pattison 606/191

(Continued)

Primary Examiner — Bridget L Eland

(74) *Attorney, Agent, or Firm* — Jonathan Spangler; Rory Schermerhorn; Saidman DesignLaw Group, LLC

(57) **CLAIM**

The ornamental design for a dilator, as shown and described.

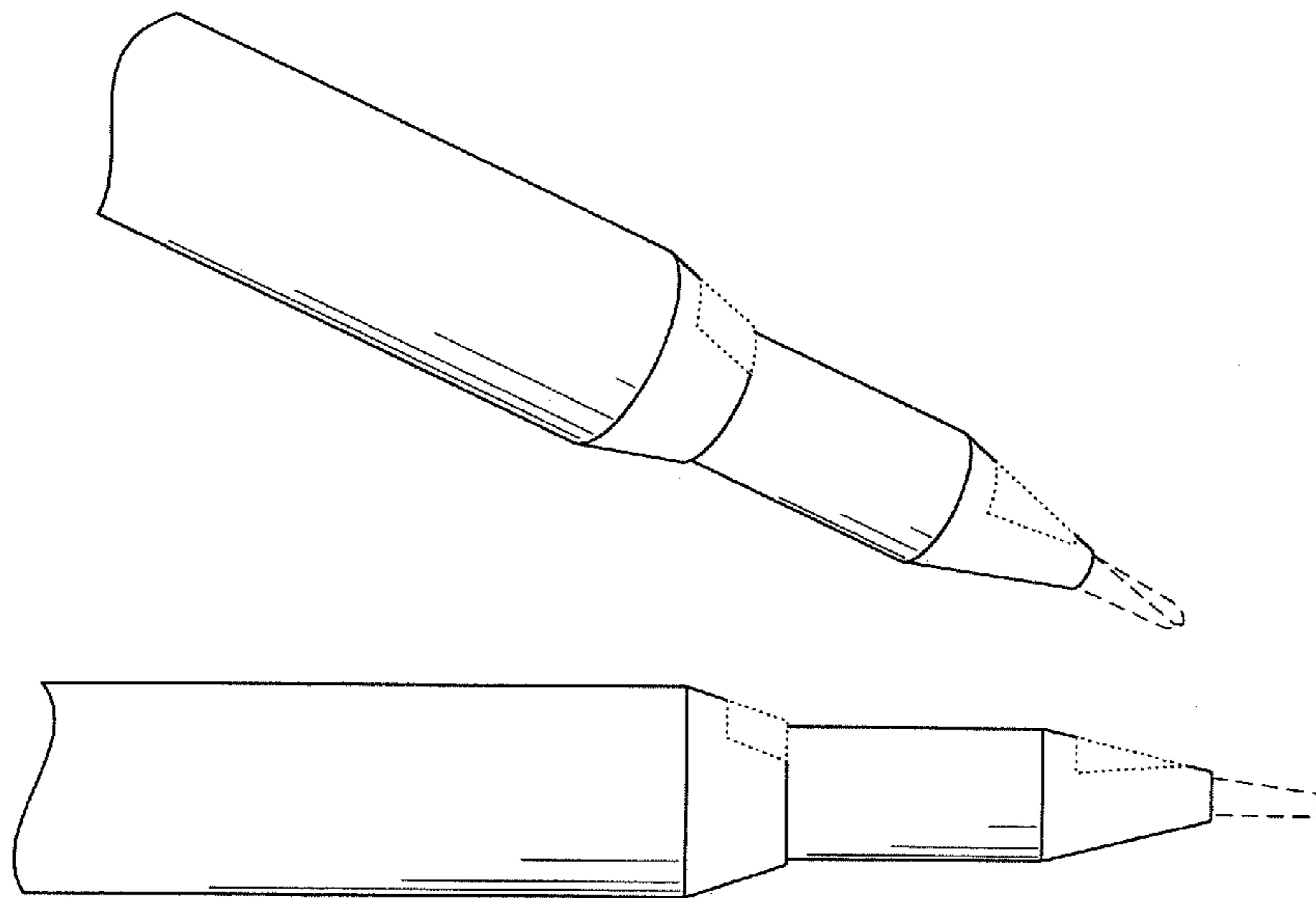
DESCRIPTION

FIG. 1 is a perspective view of a dilator showing our new design; and,

FIG. 2 is a side view thereof.

The dotted broken lines represent unclaimed boundaries of the claimed design and form no part thereof. The dashed broken lines represent environment and form no part of the claimed design.

1 Claim, 1 Drawing Sheet



US D666,294 S

Page 2

U.S. PATENT DOCUMENTS							
6,146,371	A	11/2000	Dewindt	7,008,431	B2	3/2006	Simonson
6,152,871	A	11/2000	Foley	7,074,226	B2	7/2006	Roehm
6,161,047	A	12/2000	King	7,083,625	B2	8/2006	Berry
6,206,826	B1	3/2001	Mathews	7,198,598	B2	4/2007	Smith
6,217,509	B1	4/2001	Foley	7,207,949	B2	4/2007	Miles
6,217,527	B1	4/2001	Selmon	7,226,451	B2	6/2007	Shluzas
6,221,049	B1	4/2001	Selmon	7,276,055	B2	10/2007	Dewindt
6,231,546	B1	5/2001	Milo	7,311,719	B2	12/2007	Bonutti
6,270,505	B1	8/2001	Yoshida	7,470,236	B1	12/2008	Kelleher
6,292,701	B1	9/2001	Prass	7,582,058	B1	9/2009	Miles
6,325,764	B1	12/2001	Griffith	D631,962	S *	2/2011	Dorman D24/135
6,395,007	B1	5/2002	Bhatnagar	7,935,051	B2 *	5/2011	Miles et al. 600/202
6,425,859	B1	7/2002	Foley	D648,021	S *	11/2011	Dorman D24/135
6,447,484	B1	9/2002	Briscoe	D652,519	S *	1/2012	Miles et al. D24/135
6,514,217	B1	2/2003	Selmon	D652,922	S *	1/2012	Miles et al. D24/135
6,520,907	B1	2/2003	Foley	2001/0056280	A1	12/2001	Underwood
6,535,759	B1	3/2003	Epstein	2002/0010392	A1	1/2002	Desai
6,564,078	B1	5/2003	Marino	2002/0123744	A1 *	9/2002	Reynard 606/6
6,641,613	B2	11/2003	Sennett	2003/0139648	A1	7/2003	Foley
6,645,194	B2	11/2003	Briscoe	2004/0181231	A1	9/2004	Emstad
6,679,833	B2	1/2004	Smith	2005/0004593	A1	1/2005	Simonson
6,719,692	B2	4/2004	Kleffner	2005/0070949	A1 *	3/2005	Bakos et al. 606/191
6,847,849	B2	1/2005	Mamo	2005/0256525	A1 *	11/2005	Culbert et al. 606/53
6,855,105	B2	2/2005	Jackson	2006/0052669	A1	3/2006	Hart
6,916,330	B2	7/2005	Simonson	2006/0052828	A1	3/2006	Kim
6,926,728	B2	8/2005	Zucherman	2007/0083161	A1	4/2007	Briscoe
6,929,606	B2	8/2005	Ritland				

* cited by examiner

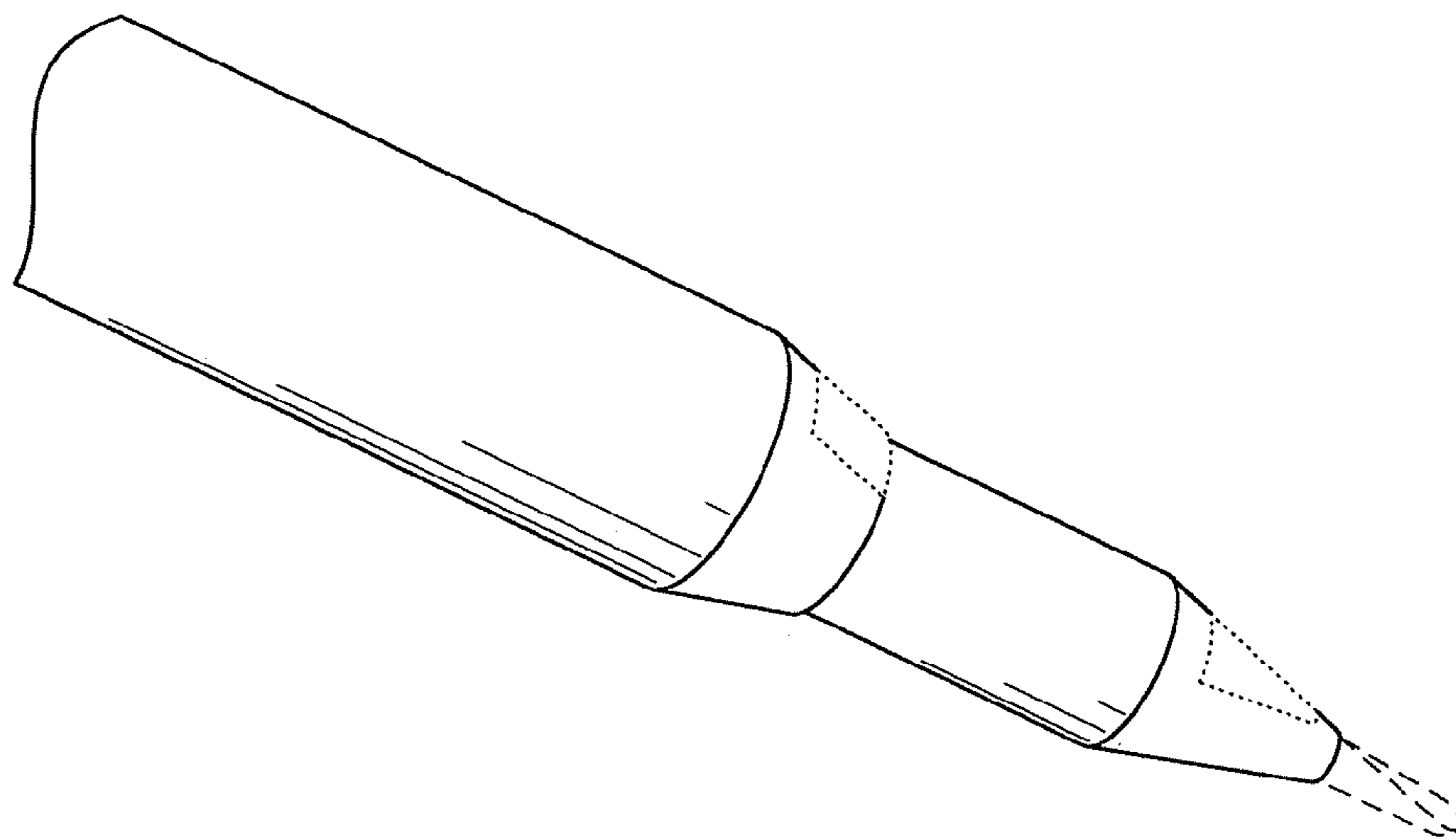


Fig. 1

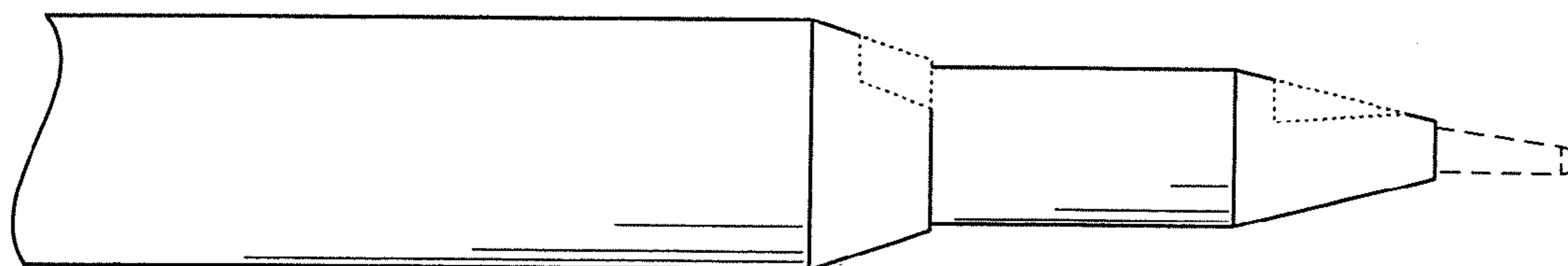


Fig. 2