

US00D666293S

(12) **United States Design Patent**
Miles et al.

(10) **Patent No.:** **US D666,293 S**

(45) **Date of Patent:** **** *Aug. 28, 2012**

- (54) **DILATOR**
- (75) Inventors: **Patrick Miles**, San Diego, CA (US);
Scot Martinelli, Mountain Top, PA (US); **Eric Finley**, Poway, CA (US)
- (73) Assignee: **NuVasive, Inc.**, San Diego, CA (US)
- (*) Notice: This patent is subject to a terminal disclaimer.
- (**) Term: **14 Years**
- (21) Appl. No.: **29/411,651**
- (22) Filed: **Jan. 24, 2012**

4,573,448 A	3/1986	Kambin	
D300,561 S *	4/1989	Asa et al.	D24/112
4,917,274 A *	4/1990	Asa et al.	222/420
5,007,902 A	4/1991	Witt	
5,171,279 A	12/1992	Mathews	
5,295,994 A	3/1994	Bonutti	
5,312,417 A	5/1994	Wilk	
5,331,975 A	7/1994	Bonutti	
5,342,384 A	8/1994	Sugarbaker	
5,378,241 A	1/1995	Haindl	
5,395,317 A	3/1995	Kambin	
D364,501 S *	11/1995	Gough	D3/203.8
5,509,893 A	4/1996	Pracas	
5,514,153 A	5/1996	Bonutti	
5,599,279 A	2/1997	Slotman	
5,707,359 A	1/1998	Bufalini	
5,762,629 A	6/1998	Kambin	
5,792,044 A	8/1998	Foley	
5,814,073 A	9/1998	Bonutti	

(Continued)

Related U.S. Application Data

- (63) Continuation of application No. 29/360,369, filed on Apr. 23, 2010, now Pat. No. Des. 652,922, which is a continuation of application No. 12/428,081, filed on Apr. 22, 2009, now Pat. No. 7,935,051, which is a continuation of application No. 10/608,362, filed on Jun. 26, 2003, now Pat. No. 7,582,058.

Primary Examiner — Bridget L Eland

(74) *Attorney, Agent, or Firm* — Jonathan Spangler; Rory Schermerhorn; Saidman DesignLaw Group, LLC

- (51) **LOC (9) Cl.** **24-02**
- (52) **U.S. Cl.** **D24/135**
- (58) **Field of Classification Search** D24/135, D24/112, 130, 133, 140, 147, 149; 600/200, 600/202, 184, 220–227, 201, 203, 210–218; 606/191–200, 201–202

See application file for complete search history.

(57)

CLAIM

The ornamental design for a dilator, as shown and described.

DESCRIPTION

The sole FIGURE is a perspective view of a dilator showing our new design.

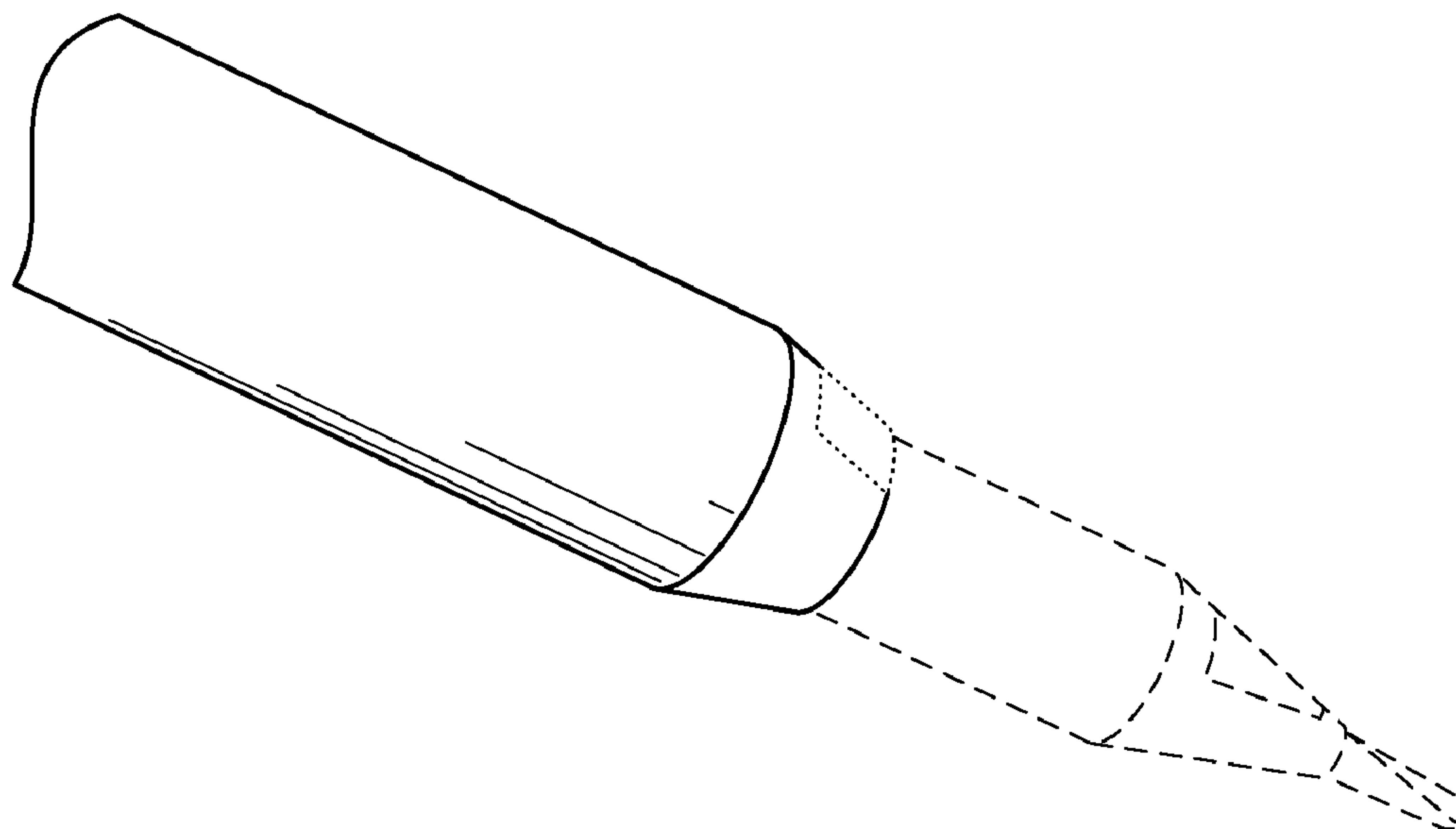
The dotted broken lines represent unclaimed boundaries of the claimed design and form no part thereof. The dashed broken lines represent environment and form no part of the claimed design. Only one view of the article is shown in the drawing and the end view is described in the specification. It is understood that the appearance of any part of the article not shown in the drawing or described in the specification forms no part of the claimed design. In re Zahn, 617 F.2d 261,204 USPQ 988 (CCPA 1980).

(56) **References Cited**

U.S. PATENT DOCUMENTS

208,227 A	9/1878	Dorr
972,983 A	10/1910	Arthur
1,328,624 A	1/1920	Graham
4,545,374 A	10/1985	Jacobson

1 Claim, 1 Drawing Sheet



US D666,293 S

Page 2

U.S. PATENT DOCUMENTS

5,817,071	A	10/1998	Dewindt	6,916,330	B2	7/2005	Simonson
5,888,196	A	3/1999	Bonutti	6,926,728	B2	8/2005	Zucherman et al.
5,902,231	A	5/1999	Foley	6,929,606	B2	8/2005	Ritland
5,976,146	A	11/1999	Ogawa	7,008,431	B2	3/2006	Simonson
6,007,487	A	12/1999	Foley	7,074,226	B2	7/2006	Roehm
6,010,520	A *	1/2000	Pattison 606/191	7,083,625	B2	8/2006	Berry
6,146,371	A	11/2000	Dewindt	7,198,598	B2	4/2007	Smith
6,152,871	A	11/2000	Foley	7,207,949	B2	4/2007	Miles
6,161,047	A	12/2000	King	7,226,451	B2	6/2007	Shluzas et al.
6,206,826	B1	3/2001	Mathews	7,276,055	B2	10/2007	Dewindt
6,217,509	B1	4/2001	Foley	7,311,719	B2	12/2007	Bonutti
6,217,527	B1	4/2001	Selmon	7,470,236	B1	12/2008	Kelleher
6,221,049	B1	4/2001	Selmon	7,582,058	B1	9/2009	Miles
6,231,546	B1	5/2001	Milo	D631,962	S *	2/2011	Dorman D24/135
6,270,505	B1	8/2001	Yoshida	7,935,051	B2 *	5/2011	Miles et al. 600/202
6,292,701	B1	9/2001	Prass	D648,021	S *	11/2011	Dorman D24/135
6,325,764	B1	12/2001	Griffith	D652,519	S *	1/2012	Miles et al. D24/135
6,395,007	B1	5/2002	Bhatnagar	D652,921	S *	1/2012	Miles et al. D24/135
6,425,859	B1	7/2002	Foley	D652,922	S *	1/2012	Miles et al. D24/135
6,447,484	B1	9/2002	Briscoe	2001/0056280	A1	12/2001	Underwood
6,514,217	B1	2/2003	Selmon	2002/0010392	A1	1/2002	Desai
6,520,907	B1	2/2003	Foley	2002/0123744	A1 *	9/2002	Reynard 606/6
6,535,759	B1	3/2003	Epstein	2003/0139648	A1	7/2003	Foley
6,564,078	B1	5/2003	Marino	2004/0181231	A1	9/2004	Emstad
6,641,613	B2	11/2003	Sennett	2005/0004593	A1	1/2005	Simonson
6,645,194	B2	11/2003	Briscoe	2005/0070949	A1 *	3/2005	Bakos et al. 606/191
6,679,833	B2	1/2004	Smith et al.	2005/0256525	A1 *	11/2005	Culbert et al. 606/53
6,719,692	B2	4/2004	Kleffner	2006/0052669	A1	3/2006	Hart
6,847,849	B2	1/2005	Mamo	2006/0052828	A1	3/2006	Kim
6,855,105	B2	2/2005	Jackson	2007/0083161	A1	4/2007	Briscoe

* cited by examiner

