

US00D666291S

(12) **United States Design Patent**  
**Baehr et al.**

(10) **Patent No.:** **US D666,291 S**

(45) **Date of Patent:** **\*\* Aug. 28, 2012**

(54) **HANDLE FOR MEDICAL DEVICE**

(75) Inventors: **Heiko Baehr**, Dauchingen (DE);  
**Helmut Wehrstein**, Tuttlingen (DE)

(73) Assignee: **Karl Storz GmbH & Co. KG**,  
Tuttlingen (DE)

(\*\*) Term: **14 Years**

(21) Appl. No.: **29/401,057**

(22) Filed: **Sep. 6, 2011**

(30) **Foreign Application Priority Data**

Mar. 3, 2011 (EM) ..... 001830274-0001

(51) **LOC (9) Cl.** ..... **24-02**

(52) **U.S. Cl.** ..... **D24/133**

(58) **Field of Classification Search** ..... D24/133,  
D24/137, 138, 143, 144, 145, 146, 147, 148,  
D24/149; D8/51, 57, 107; 606/1, 130, 139,  
606/148, 174, 175, 205; 600/101-183

See application file for complete search history.

(56) **References Cited**

**U.S. PATENT DOCUMENTS**

6,447,502	B1 *	9/2002	Dittrich et al.	606/1
D541,416	S	4/2007	Baehr et al.	
D624,646	S *	9/2010	Peschke et al.	D24/133
D630,322	S *	1/2011	Speiser	D24/133
D632,785	S *	2/2011	Risoli	D24/133
D632,786	S *	2/2011	Risoli	D24/133
D633,613	S *	3/2011	Risoli	D24/133
D641,872	S *	7/2011	Solingen et al.	D24/143

D641,873	S *	7/2011	Solingen et al.	D24/143
D641,874	S *	7/2011	Solingen et al.	D24/143
D646,784	S *	10/2011	Solingen et al.	D24/147
D654,587	S *	2/2012	Bacher	D24/133
2006/0004406	A1 *	1/2006	Wehrstein et al.	606/205
2011/0137116	A1 *	6/2011	Wehrstein et al.	600/106

**OTHER PUBLICATIONS**

Laparoscopy, Trocar & Accessories, Publication Jul. 2007.

\* cited by examiner

*Primary Examiner* — Bridget L Eland

(74) *Attorney, Agent, or Firm* — Muncy, Geissler, Olds & Lowe, PLLC

(57) **CLAIM**

The ornamental design for a handle for medical device, as shown and described.

**DESCRIPTION**

FIG. 1 is a left side elevational view of a handle for medical device of the present invention.

FIG. 2 is a right side elevational view of the handle for medical device of FIG. 1.

FIG. 3 is a front elevational view of the handle for medical device of FIG. 1.

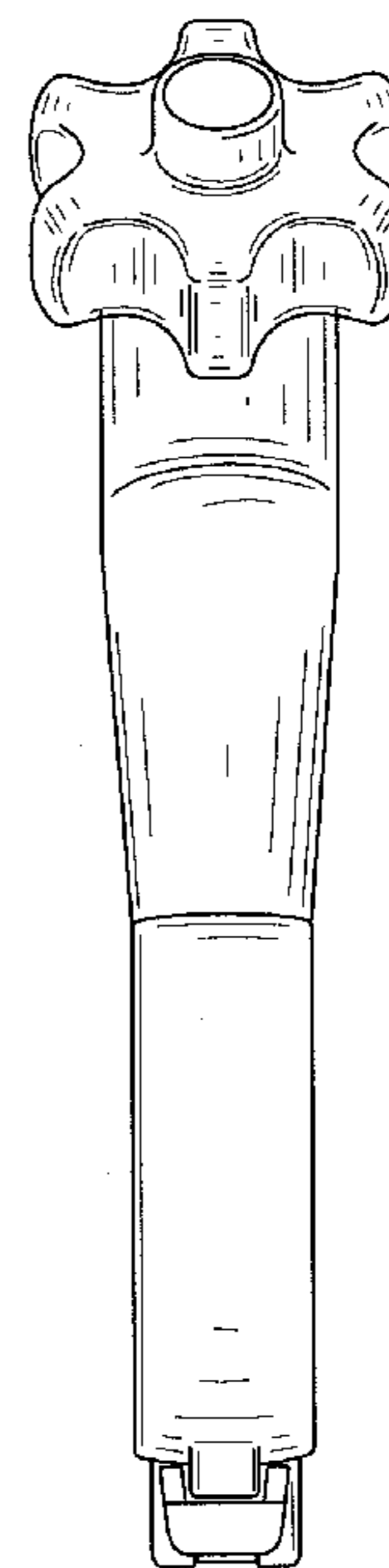
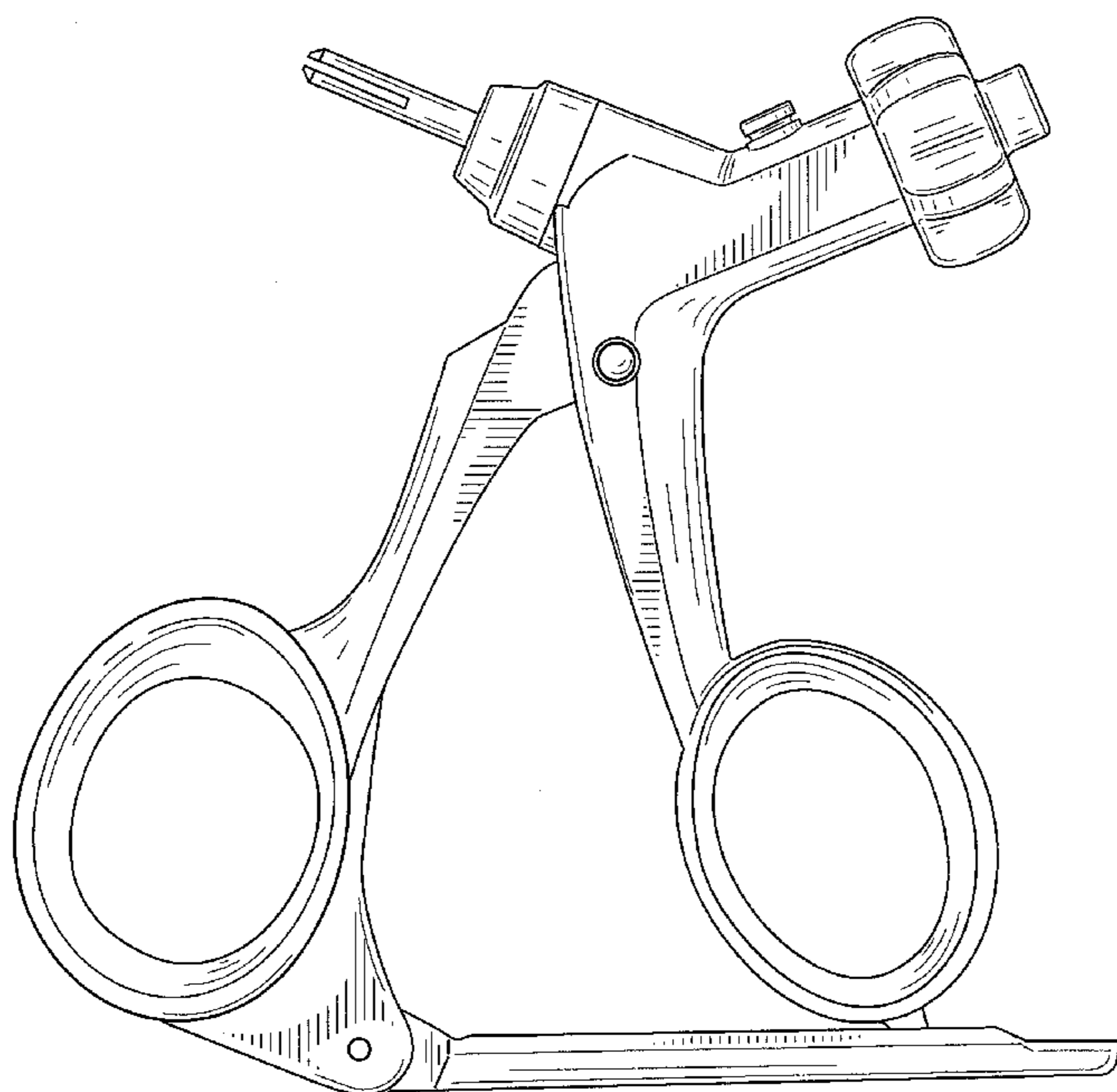
FIG. 4 is a rear elevational view of the handle for medical device of FIG. 1.

FIG. 5 is a top plan view of the handle for medical device of FIG. 1.

FIG. 6 is a bottom plan view of the handle for medical device of FIG. 1; and,

FIG. 7 is a three quarter view of the handle for medical device of FIG. 1.

**1 Claim, 5 Drawing Sheets**



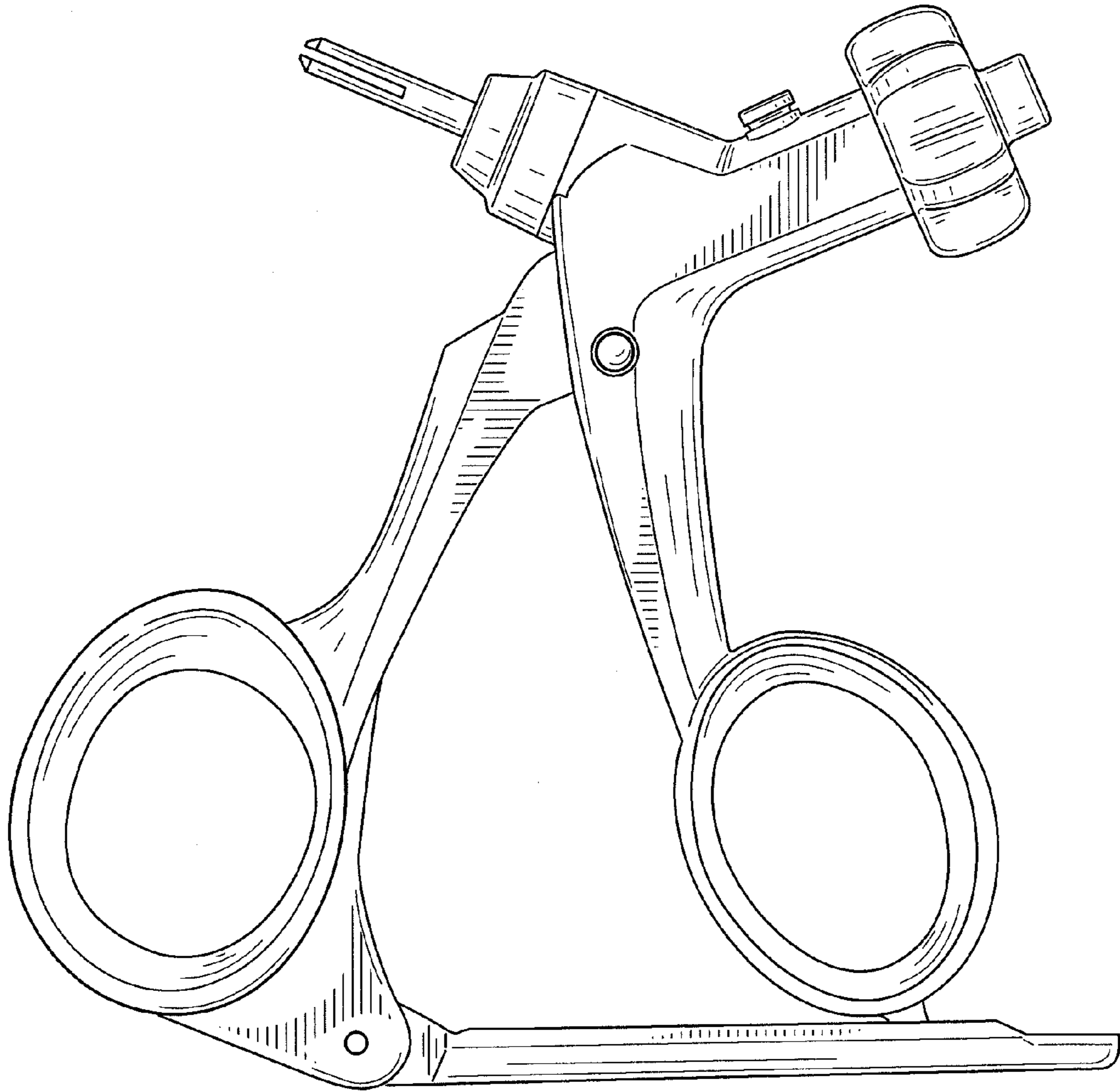


FIG. 1

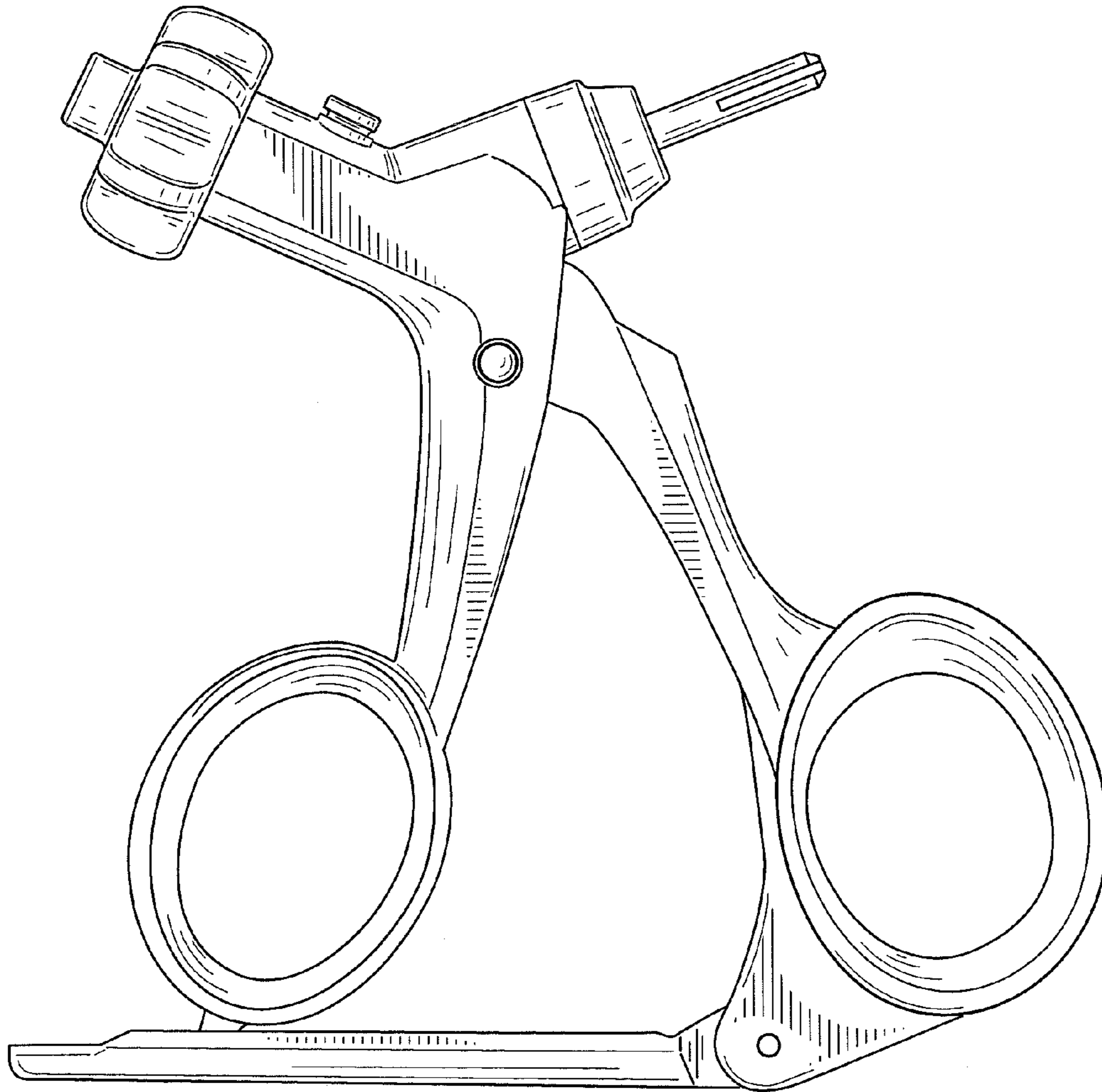


FIG. 2

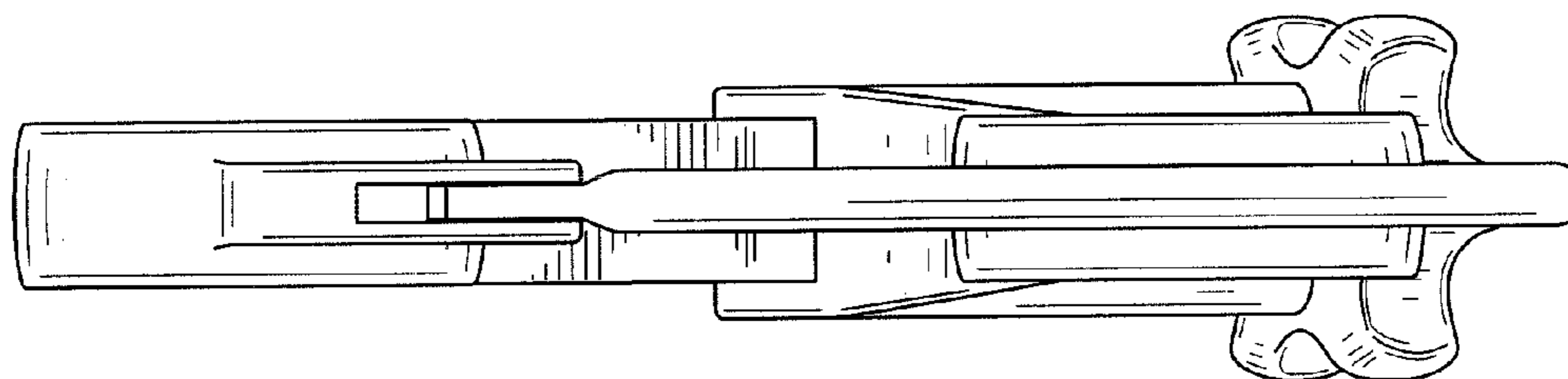


FIG. 3

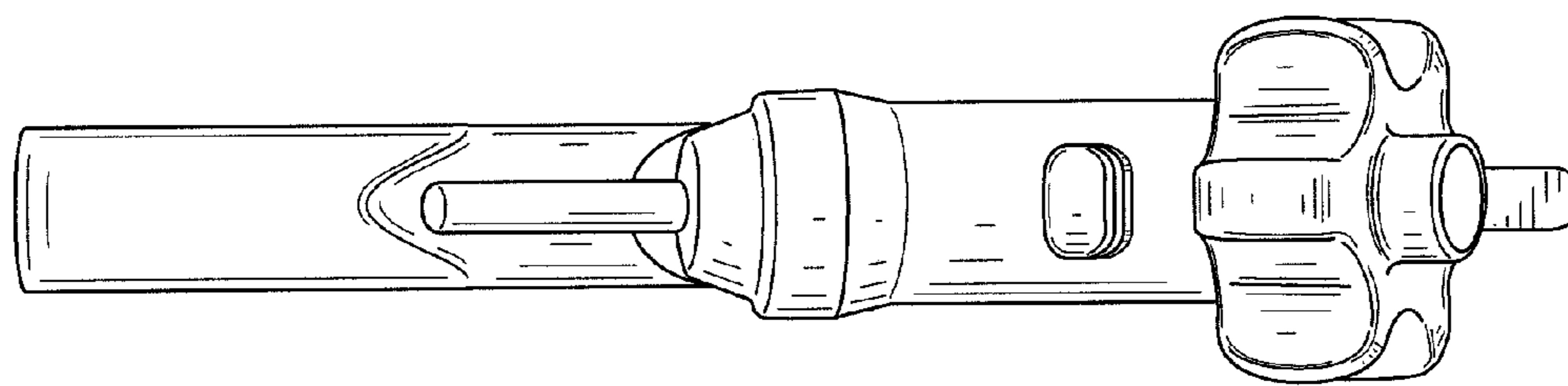
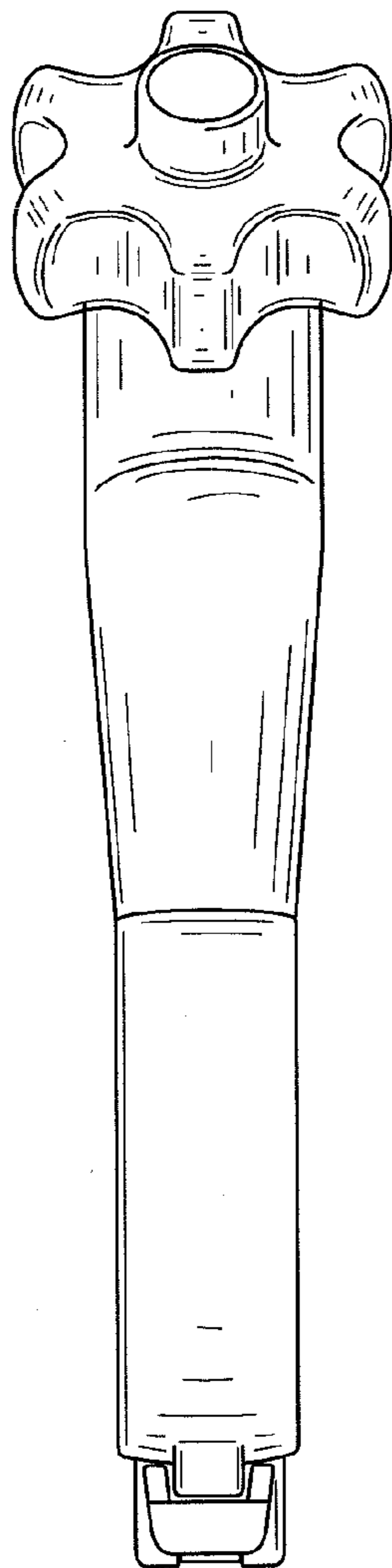
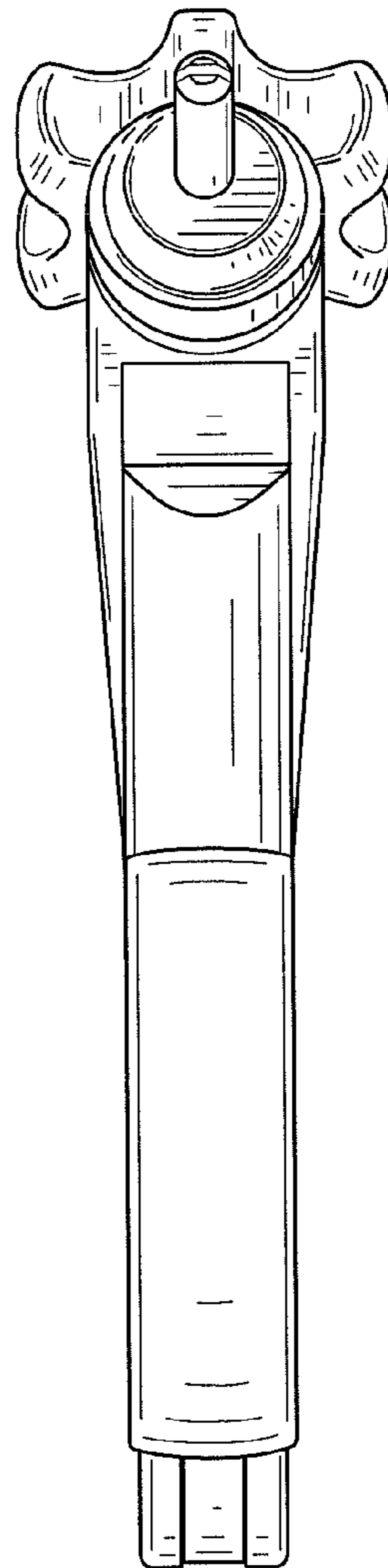


FIG. 4



**FIG. 5**



**FIG. 6**



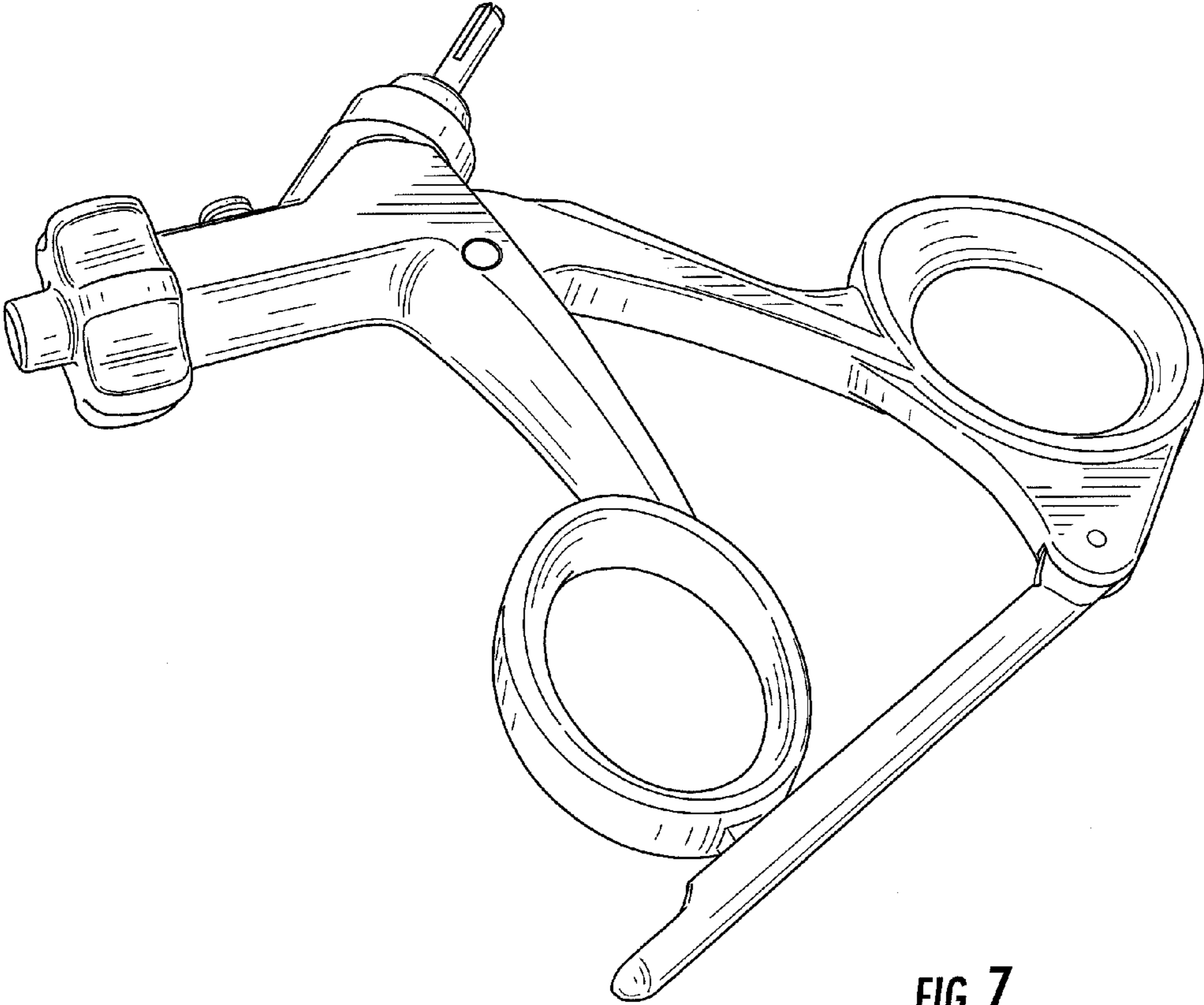


FIG. 7