

US00D666288S

(12) **United States Design Patent**  
**Bainton et al.**

(10) **Patent No.:** **US D666,288 S**

(45) **Date of Patent:** **\*\* \*Aug. 28, 2012**

(54) **WINDOW IN TURBO UNIT COVER**

(75) Inventors: **Michael C. Bainton**, Kineton (GB);  
**Martin L. E. Birath**, Lidingö (SE);  
**Desmond T. Curran**, Durham (GB);  
**Oskar E. Juhlin**, Gustavsberg (SE);  
**Stuart J. King**, Coventry (GB); **Andrew**  
**Murphy**, Ferryhill (GB)

(73) Assignee: **3M Innovative Properties Company**,  
St. Paul, MN (US)

(\*) Notice: This patent is subject to a terminal dis-  
claimer.

(\*\*) Term: **14 Years**

(21) Appl. No.: **29/346,692**

(22) Filed: **Nov. 4, 2009**

(51) **LOC (9) Cl.** ..... **29-02**

(52) **U.S. Cl.** ..... **D24/110**

(58) **Field of Classification Search** ..... D24/110,  
D24/164; 128/200.23, 200.24, 204.14, 204.18;  
D23/355

See application file for complete search history.

(56) **References Cited**

**U.S. PATENT DOCUMENTS**

4,643,182	A *	2/1987	Klein	.....	128/201.25
D498,528	S *	11/2004	Van Brunt et al.	.....	D24/110
D503,796	S *	4/2005	Lithgow et al.	.....	D24/110
D504,945	S *	5/2005	Van Brunt et al.	.....	D24/110
D507,832	S *	7/2005	Yanniello et al.	.....	D24/111
D548,332	S *	8/2007	Hitchcock et al.	.....	D24/110.1
D585,540	S *	1/2009	Lithgow et al.	.....	D24/110
D599,007	S *	8/2009	Stallard	.....	D24/110.1
D602,582	S *	10/2009	Pidgeon et al.	.....	D24/108
D614,286	S *	4/2010	Lithgow et al.	.....	D24/110
D650,479	S *	12/2011	Row et al.	.....	D24/129
2005/0145251	A1	7/2005	Taylor et al.		

**FOREIGN PATENT DOCUMENTS**

EM 000908736-001 4/2008

**OTHER PUBLICATIONS**

3M™ Adflo Respiratory Protection Systems product information.  
3M™ Air-Mate™ Powered Air Purifying Respirator product infor-  
mation.  
3M™ Dustmaster™ Powered Air Turbo product information.  
3M™ GVP-Series PAPR Assemblies product information.  
3M™ Jupiter™ Powered Air Turbo product information sheet dated  
Feb. 2007.  
3M Unidad Turbo Jupiter™ product literature.  
3M™ Versaflo™ Powered & Supplied Air Respiratory Protection  
Systems product literature *Work in World of Comfort*, 2009.  
Sundström PAPR SR500EX product information.  
Sundström Safety AB the SR 500 Series Powered Air Purifying  
Respiratory Protection product literature.

\* cited by examiner

*Primary Examiner* — Rashida Johnson

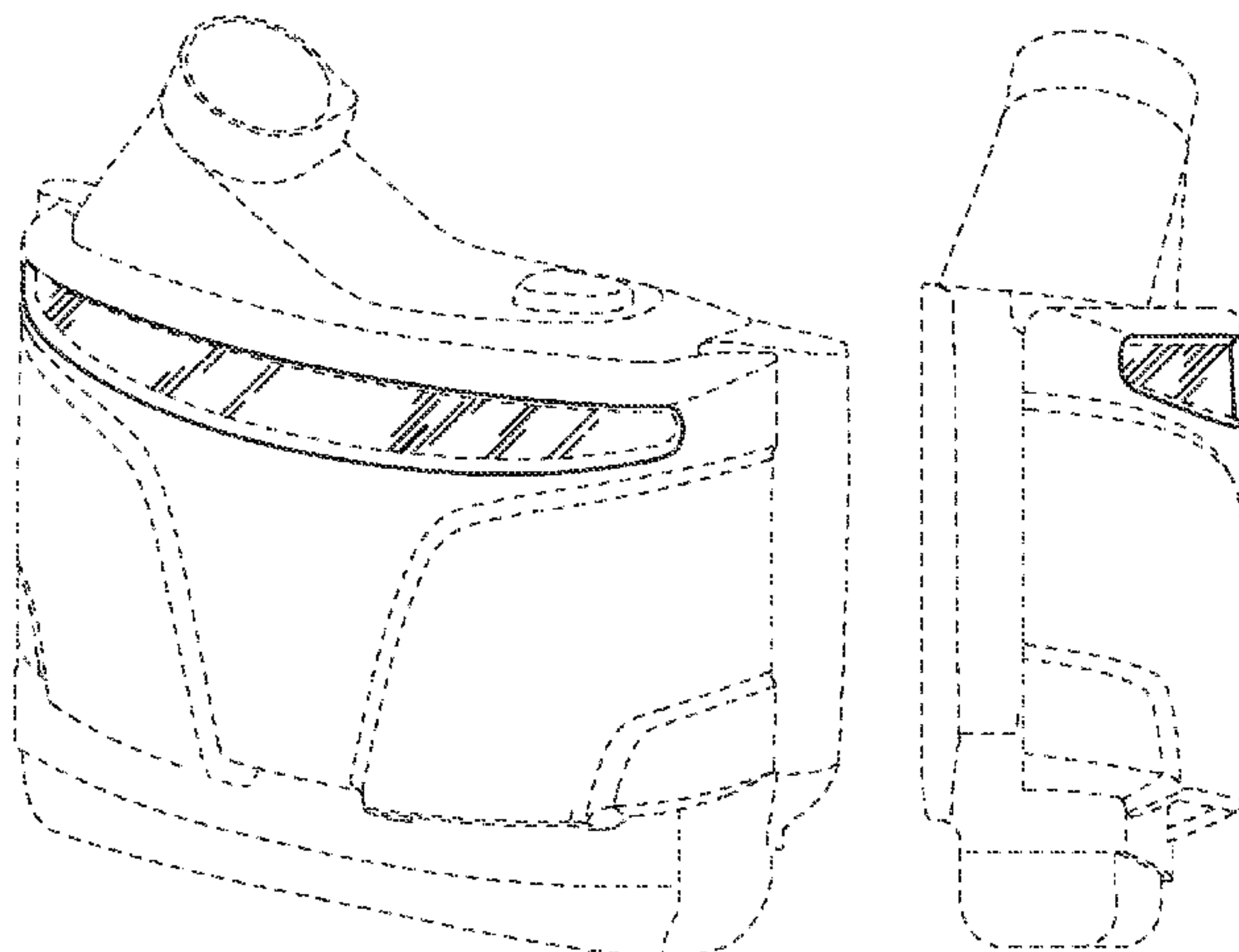
(57) **CLAIM**

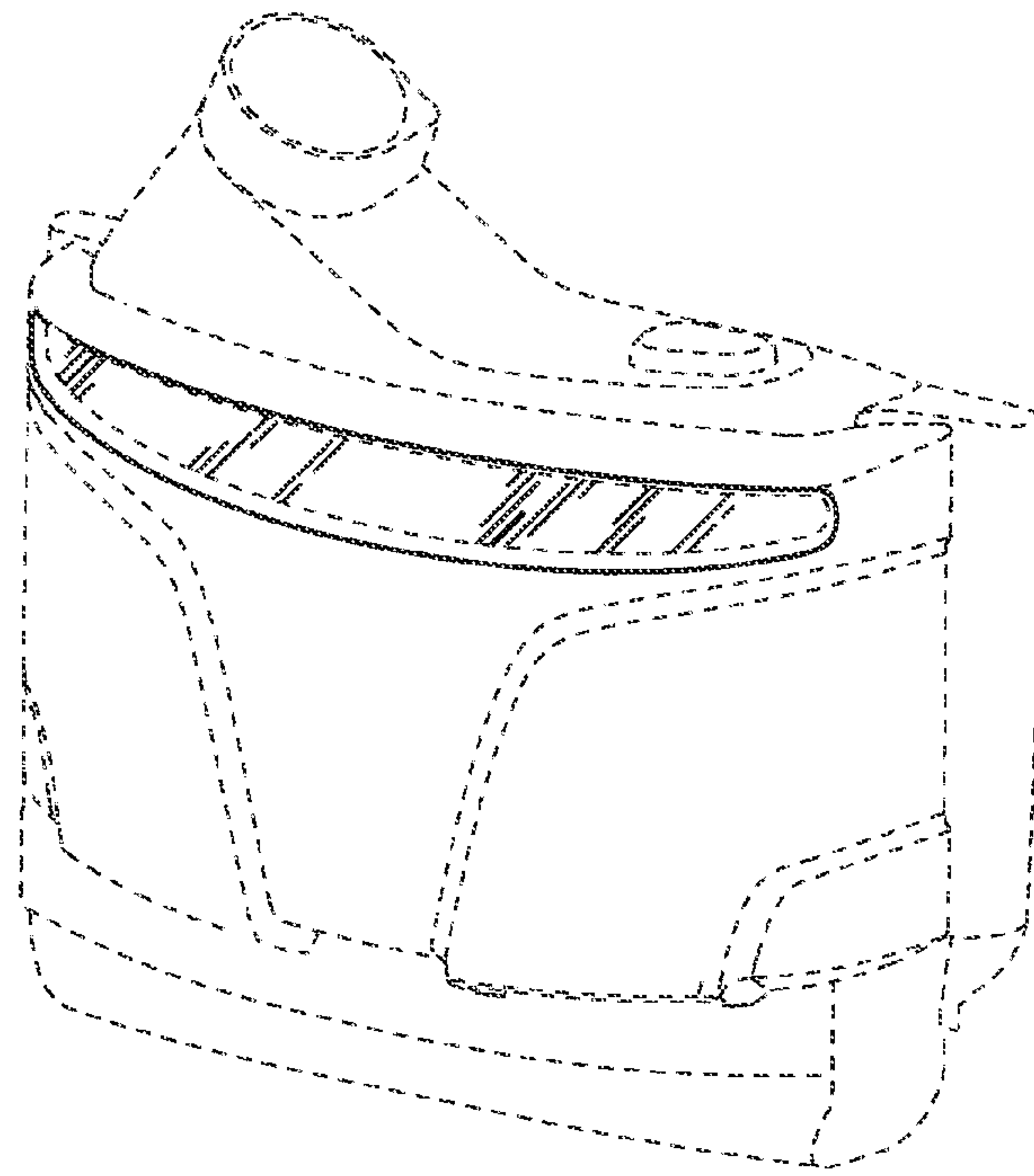
The ornamental design for a window in a turbo unit cover, as  
shown and described.

**DESCRIPTION**

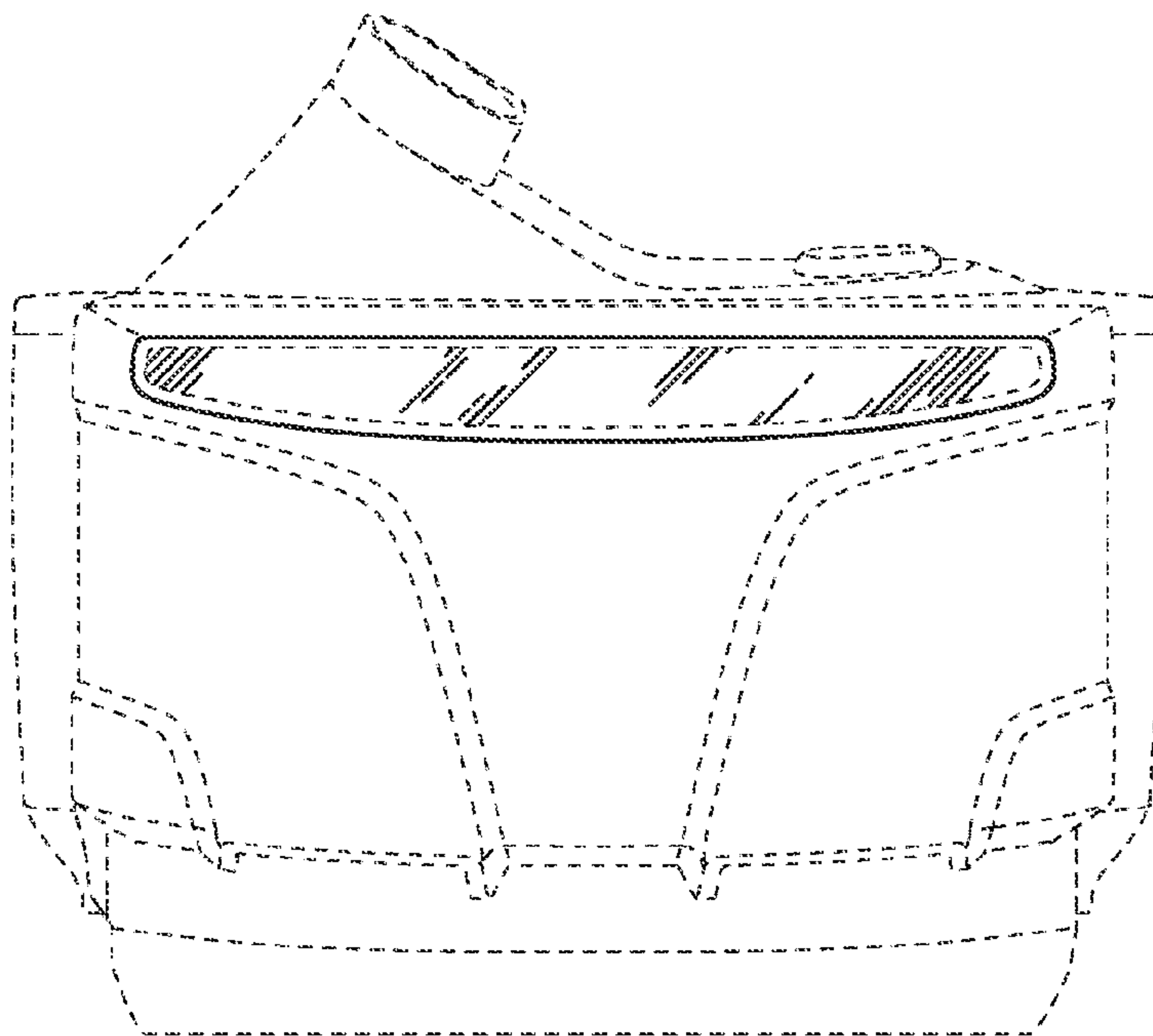
FIG. 1 is a perspective view of a turbo unit showing a new  
design for a window in the turbo unit cover;  
FIG. 2 is a front view thereof;  
FIG. 3 is a rear view thereof;  
FIG. 4 is a left side view thereof;  
FIG. 5 is a right side view thereof;  
FIG. 6 is a top view thereof; and  
FIG. 7 is a bottom view thereof  
FIG. 8 is a perspective view of a turbo unit showing another  
new design for a window in the turbo unit cover;  
FIG. 9 is a front view thereof;  
FIG. 10 is a rear view thereof;  
FIG. 11 is a left side view thereof;  
FIG. 12 is a right side view thereof;  
FIG. 13 is a top view thereof; and,  
FIG. 14 is a bottom view thereof.  
The broken lines shown throughout the views represent the  
portions of the turbo unit cover, which form no part of the  
claimed design.

**1 Claim, 6 Drawing Sheets**

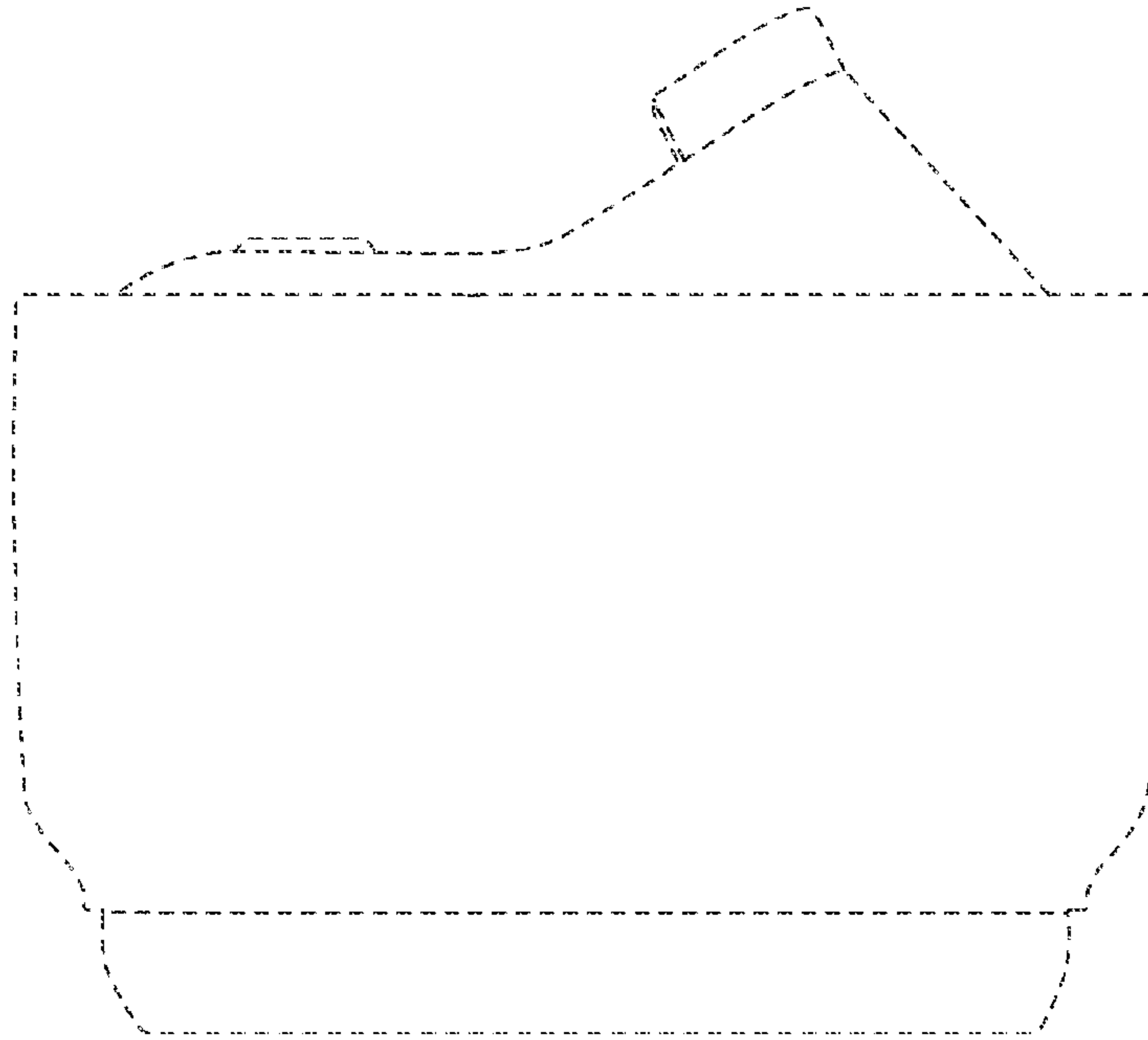




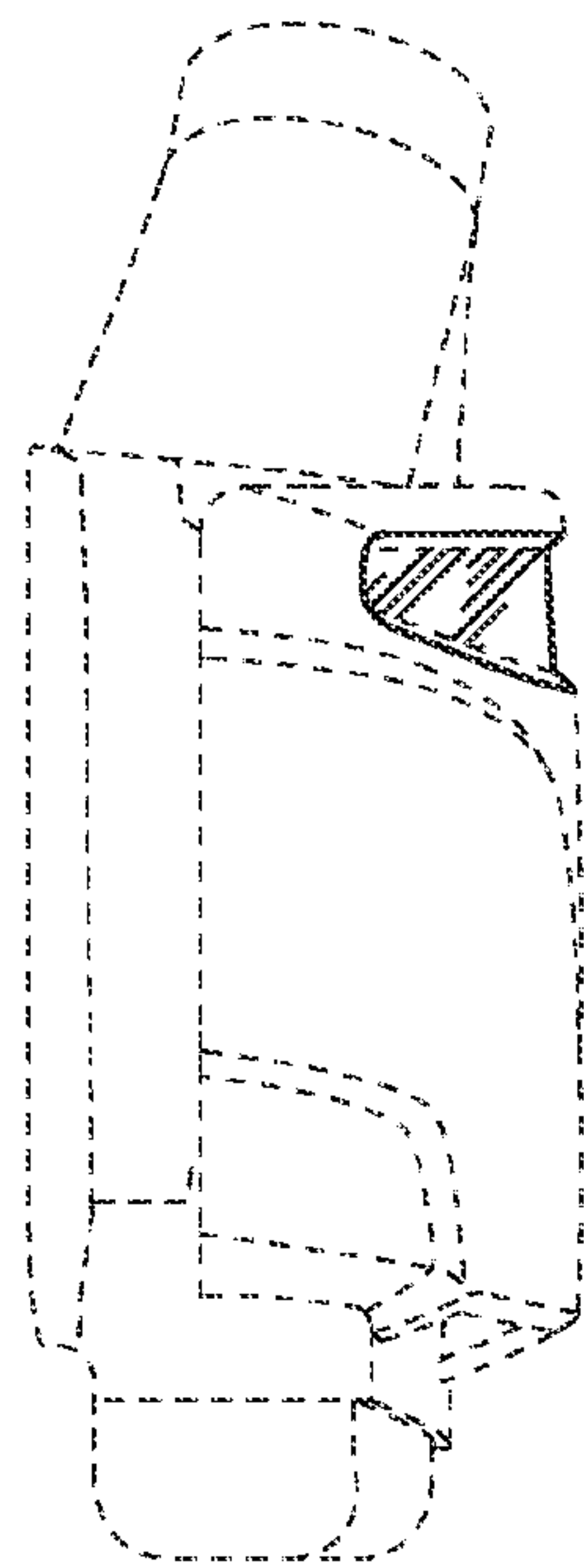
*Fig. 1*



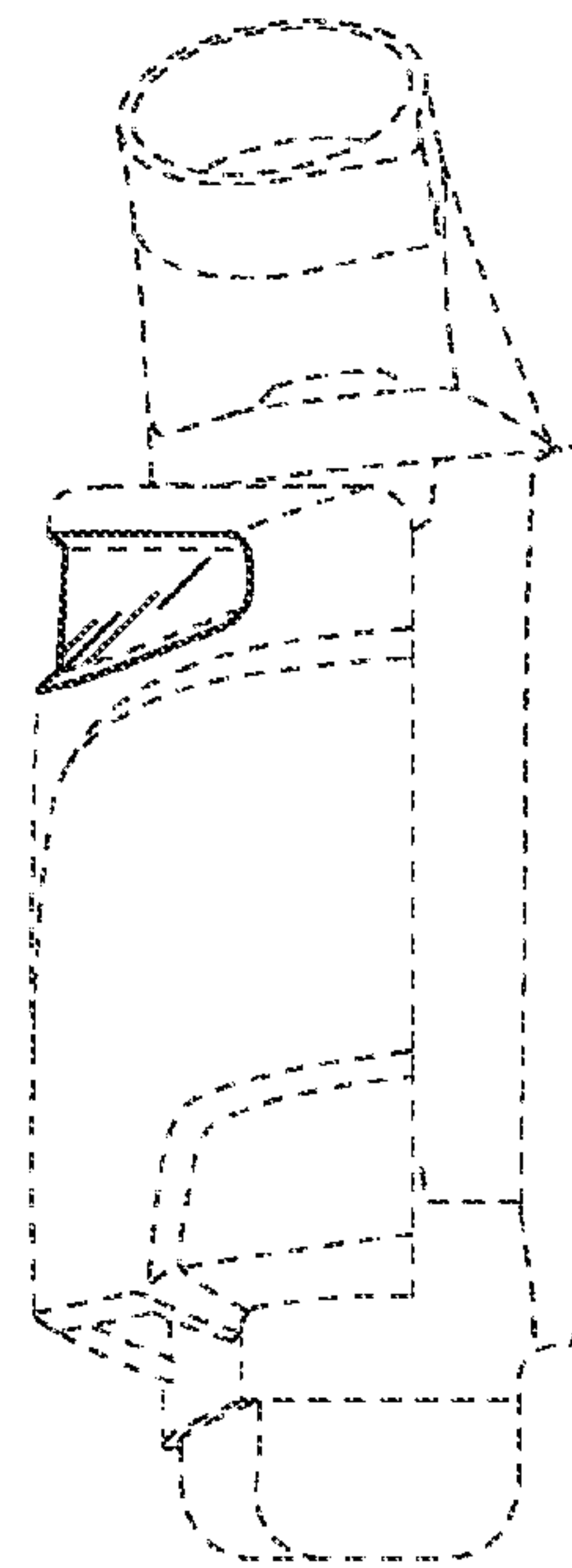
*Fig. 2*



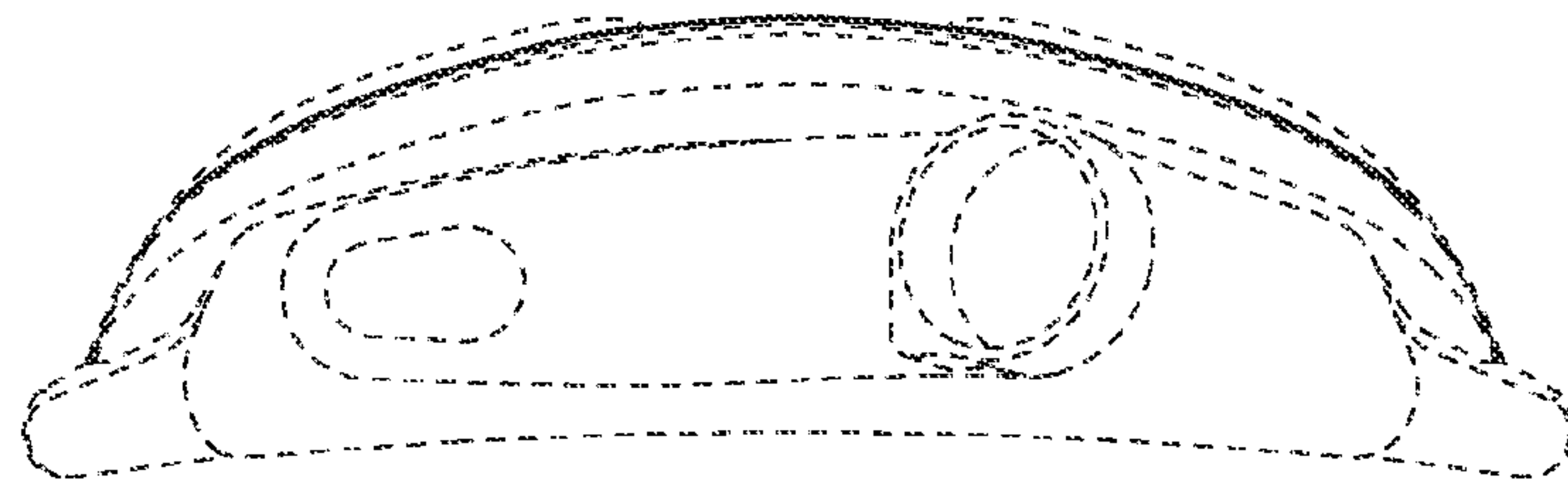
*Fig. 3*



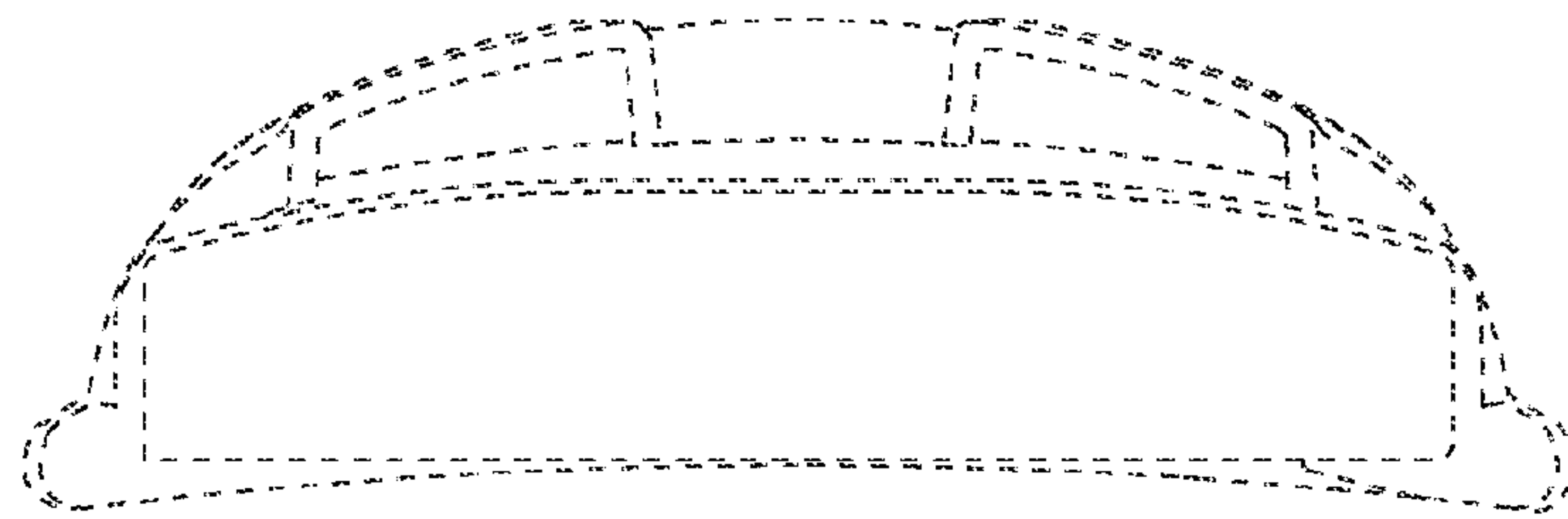
*Fig. 4*



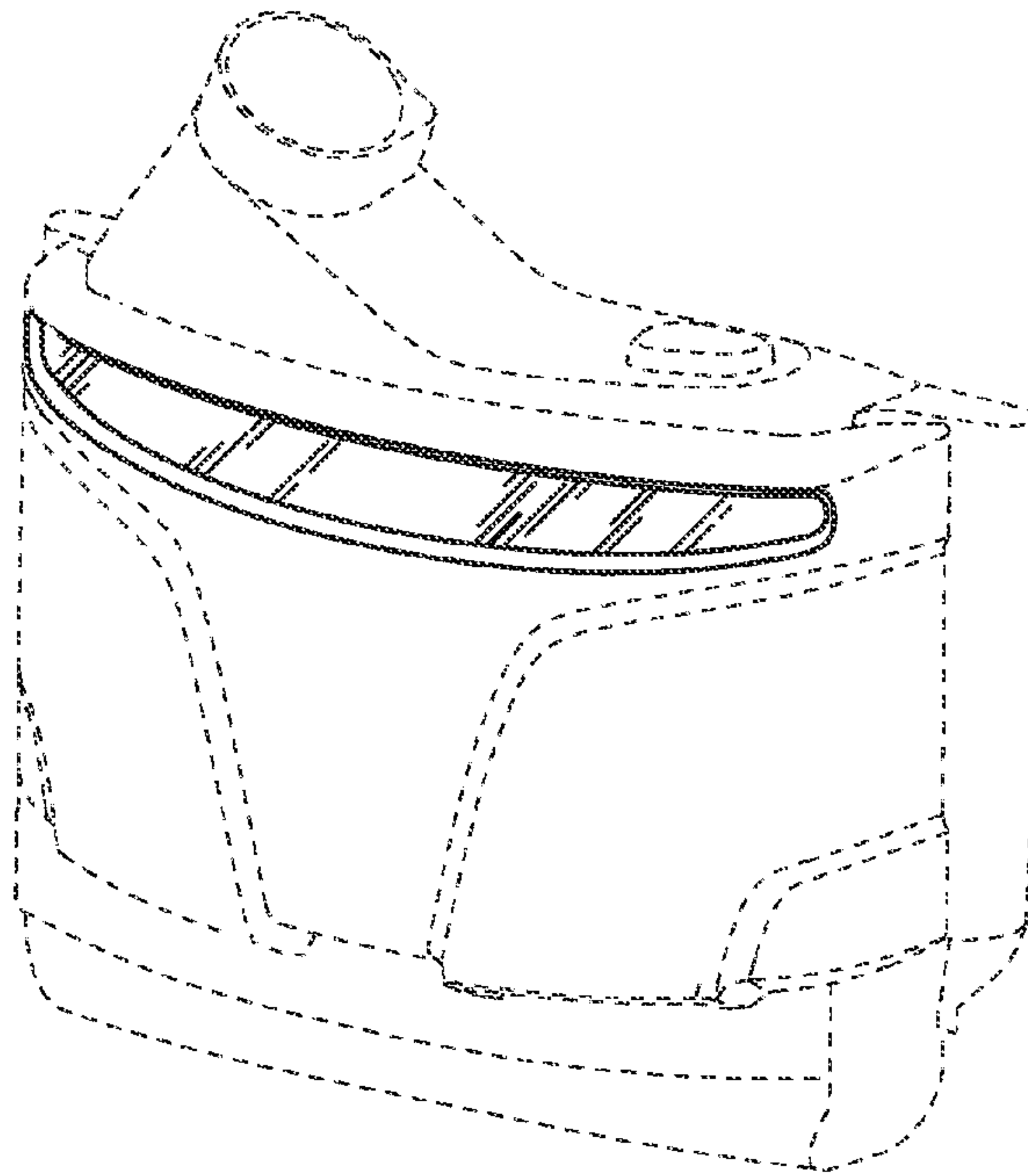
*Fig. 5*



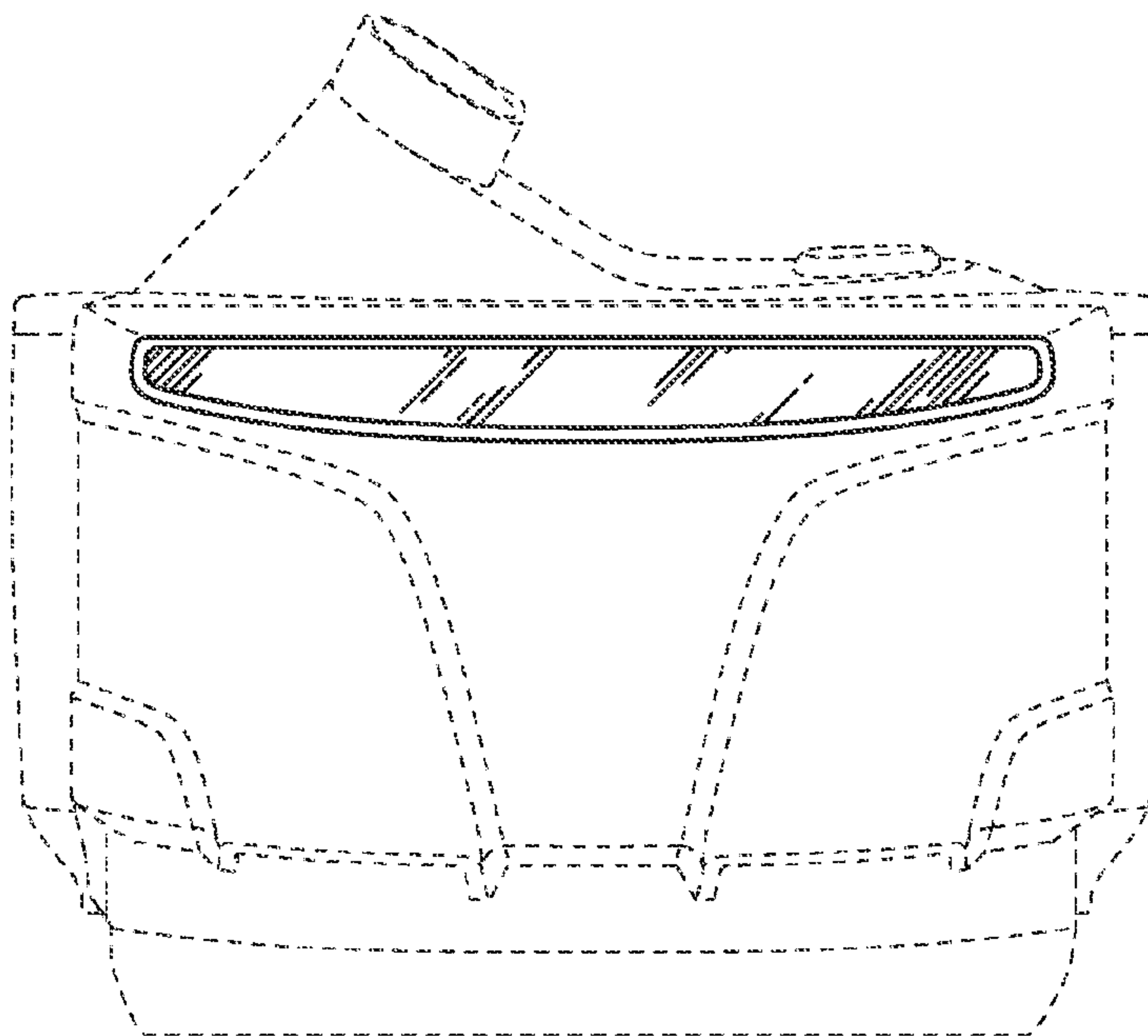
*Fig. 6*



*Fig. 7*

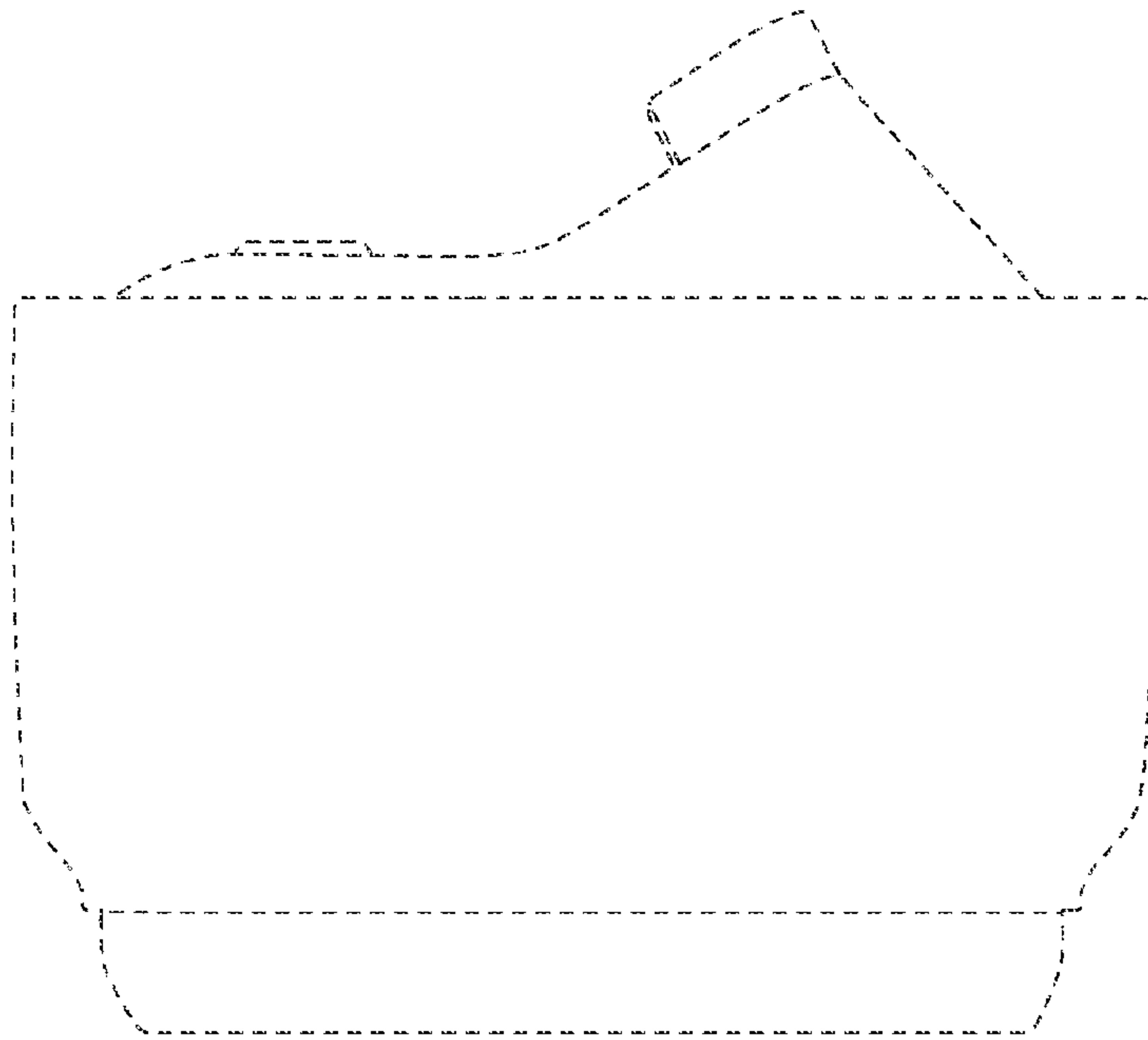


*Fig. 8*

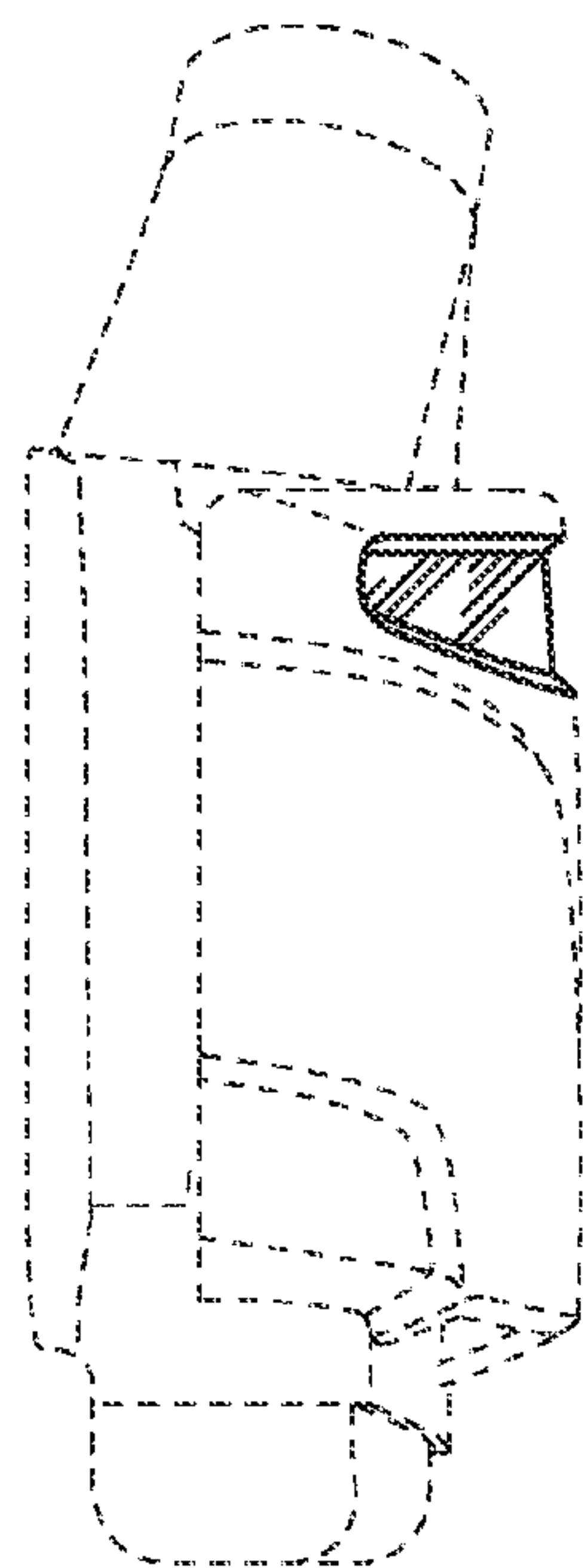


*Fig. 9*

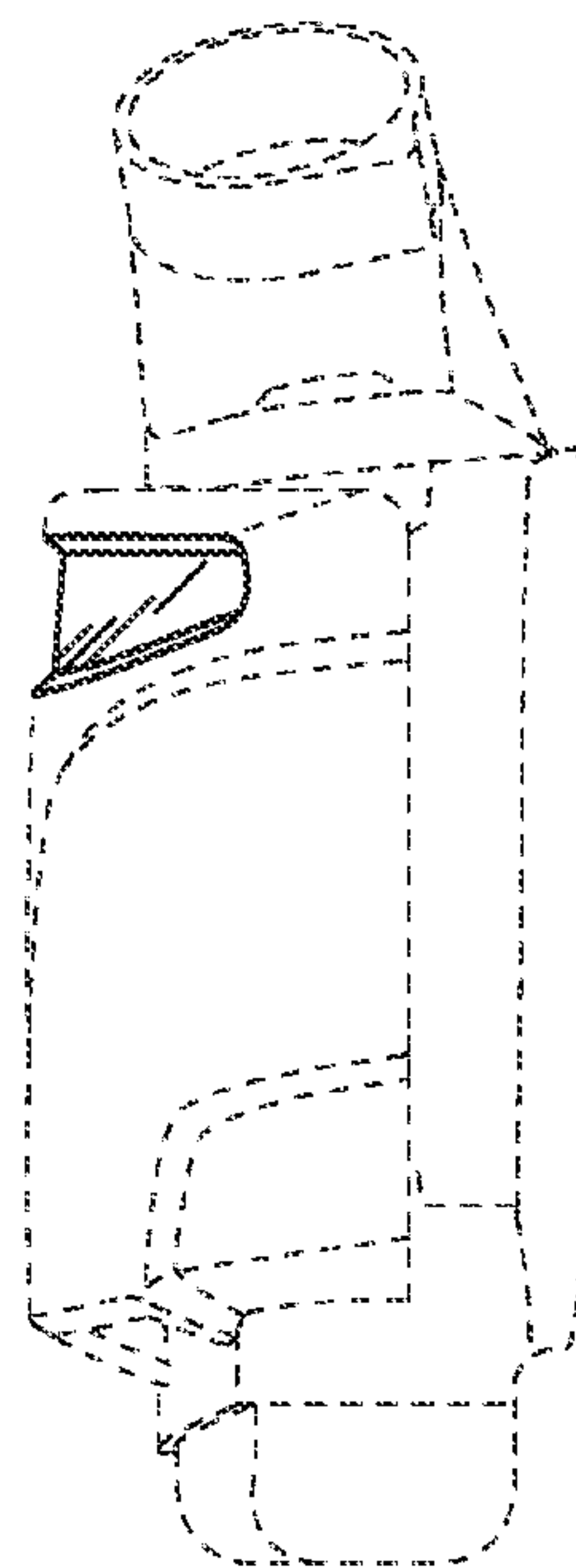




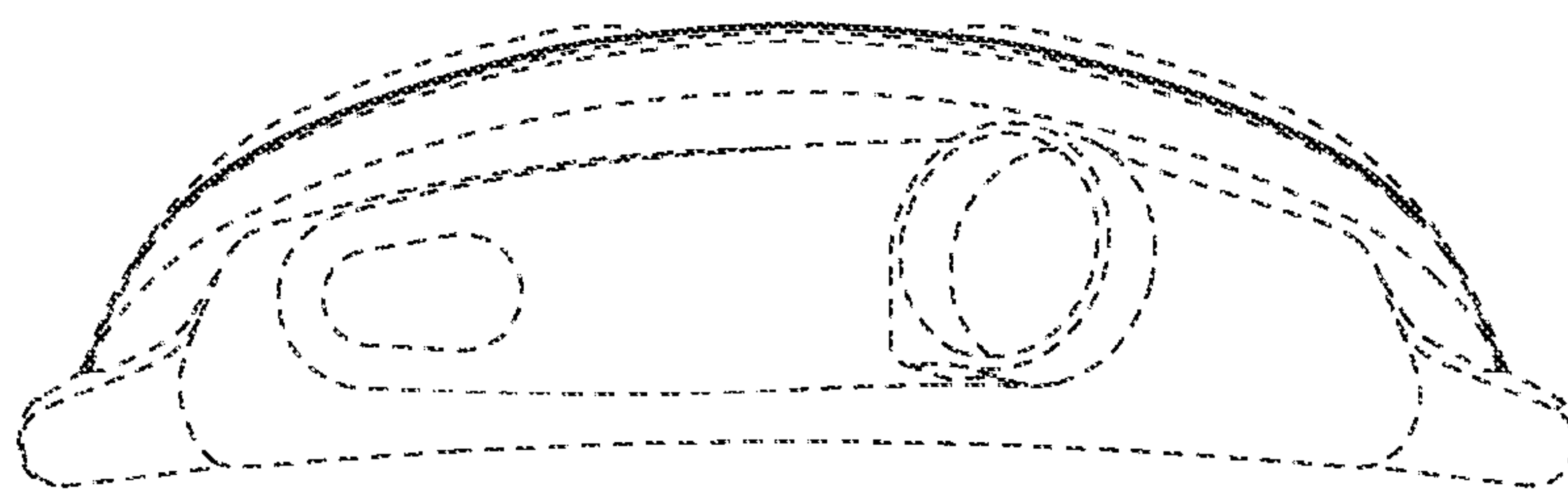
*Fig. 10*



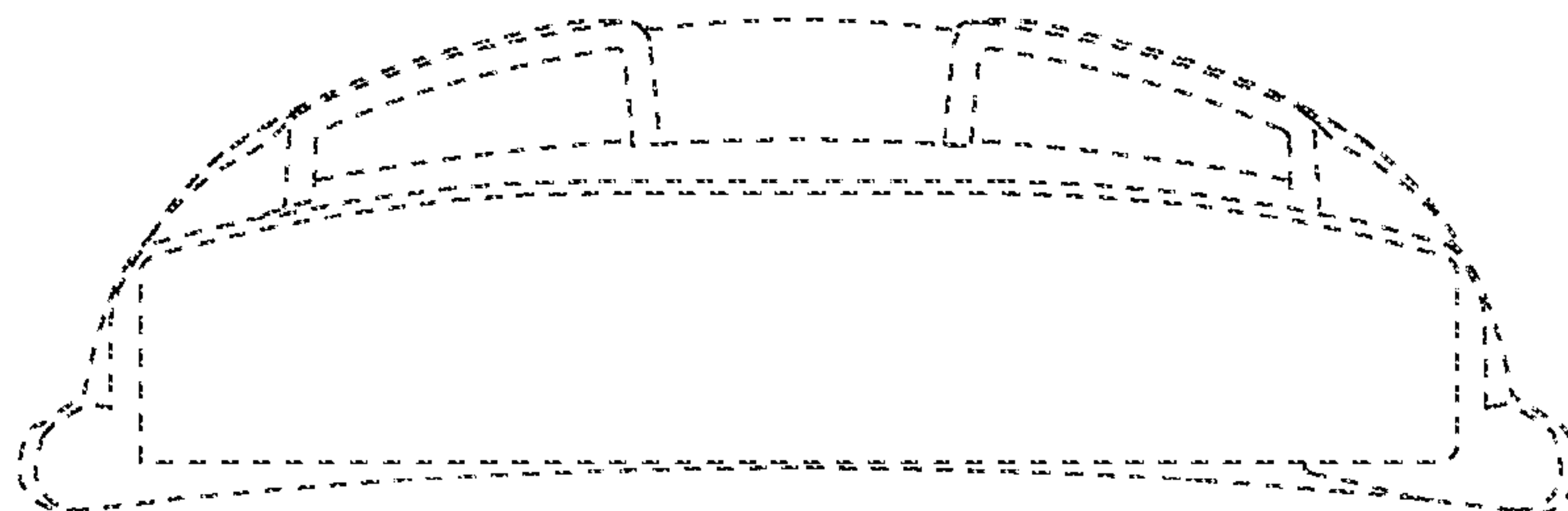
*Fig. 11*



*Fig. 12*



*Fig. 13*



*Fig. 14*