

US00D666287S

(12) **United States Design Patent**
Quinlan

(10) **Patent No.:** **US D666,287 S**

(45) **Date of Patent:** **** Aug. 28, 2012**

(54) **EYEGLOSS EAR SUPPORT ARMS HAVING INTEGRATED HEARING PROTECTION MEMBERS**

(76) Inventor: **Todd Quinlan**, Elk Grove, CA (US)

(**) Term: **14 Years**

(21) Appl. No.: **29/393,996**

(22) Filed: **Jun. 11, 2011**

(51) **LOC (9) Cl.** **24-04**

(52) **U.S. Cl.** **D24/106; D16/309**

(58) **Field of Classification Search** D24/106,
D24/173-174; D16/309, 336; D14/372,
D14/189; D29/112; 2/209.13; 128/864,
128/866-867, 857; 181/129-130, 135; 351/123,
351/158

See application file for complete search history.

(56) **References Cited**

U.S. PATENT DOCUMENTS

3,297,832	A *	1/1967	Brown	181/130
D262,491	S *	12/1981	Ebert	D24/106
5,074,375	A *	12/1991	Grozil	181/135
5,475,449	A *	12/1995	Pyle	351/123
5,781,272	A *	7/1998	Bright et al.	351/123
5,806,526	A *	9/1998	Rhoad	128/864
D426,845	S *	6/2000	Green et al.	D16/309
6,074,060	A *	6/2000	Bruce	351/158
6,340,227	B1 *	1/2002	Solberg et al.	351/123

6,604,823	B2 *	8/2003	Hursey, Jr.	351/123
6,728,974	B2 *	5/2004	Wadsworth	128/864
7,213,916	B1 *	5/2007	Pettett	351/158
2010/0319714	A1 *	12/2010	Oshima et al.	128/866
2011/0094007	A1 *	4/2011	Brauner et al.	128/864
2011/0131709	A1 *	6/2011	Caraballo	128/864

* cited by examiner

Primary Examiner — Wan Laymon

(57) **CLAIM**

The ornamental design for a eyeglass ear support arms having integrated hearing protection members, as shown and described.

DESCRIPTION

FIG. 1 is a left side view of an eyeglass ear support arms having integrated hearing protection members of the present invention;

FIG. 2 is a right side view thereof;

FIG. 3 is an enlarged top view thereof;

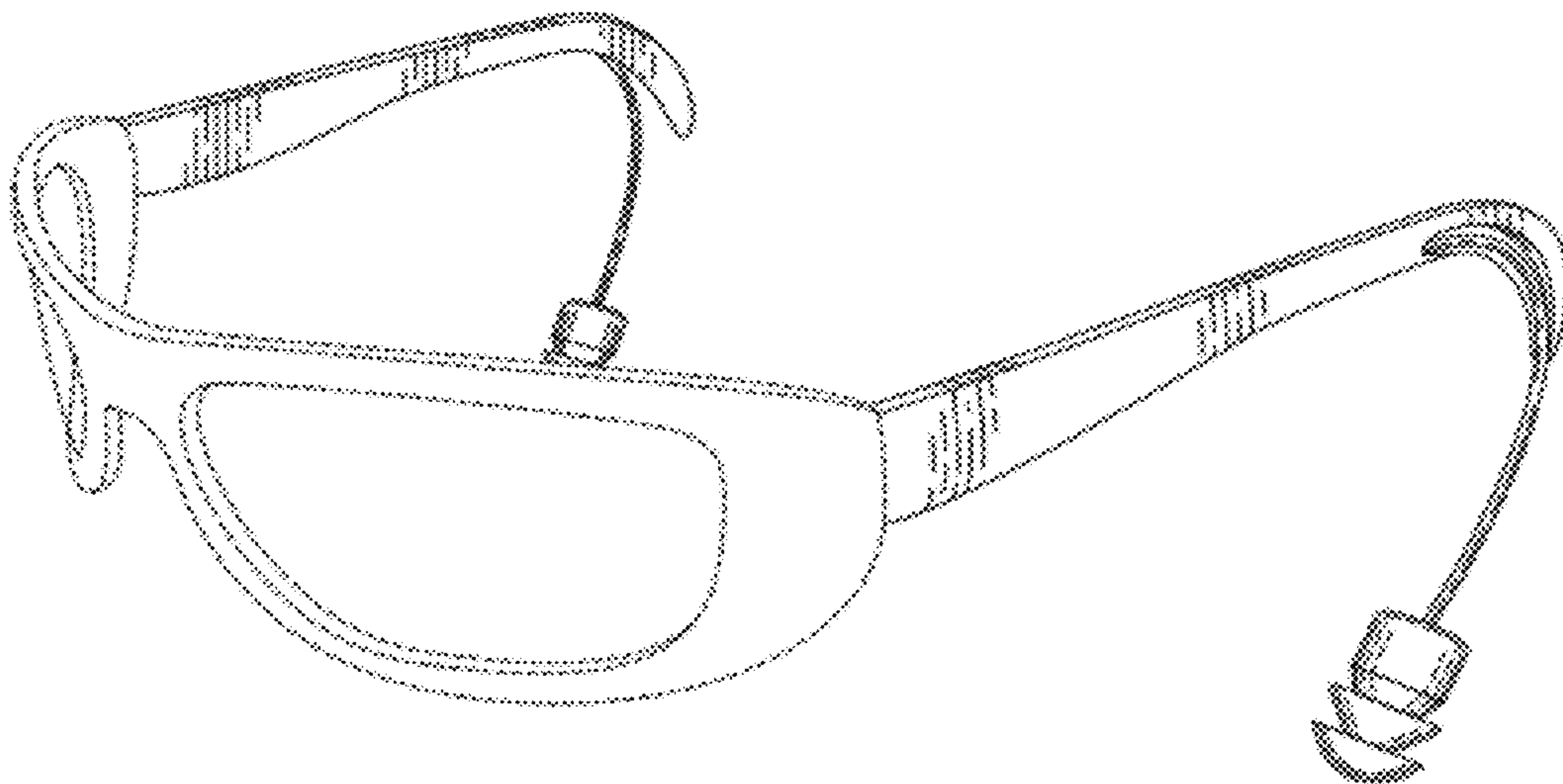
FIG. 4 is a front view thereof;

FIG. 5 is a an enlarged bottom view thereof; and,

FIG. 6 is a left perspective view thereof.

The broken lines immediately adjacent shaded areas in FIGS. 3 and 4 represent bounds of the claimed design while the broken line shown parts of the eyeglass are directed to environment and are for illustrative purposes only. The broken lines form no part of the claimed design.

1 Claim, 3 Drawing Sheets



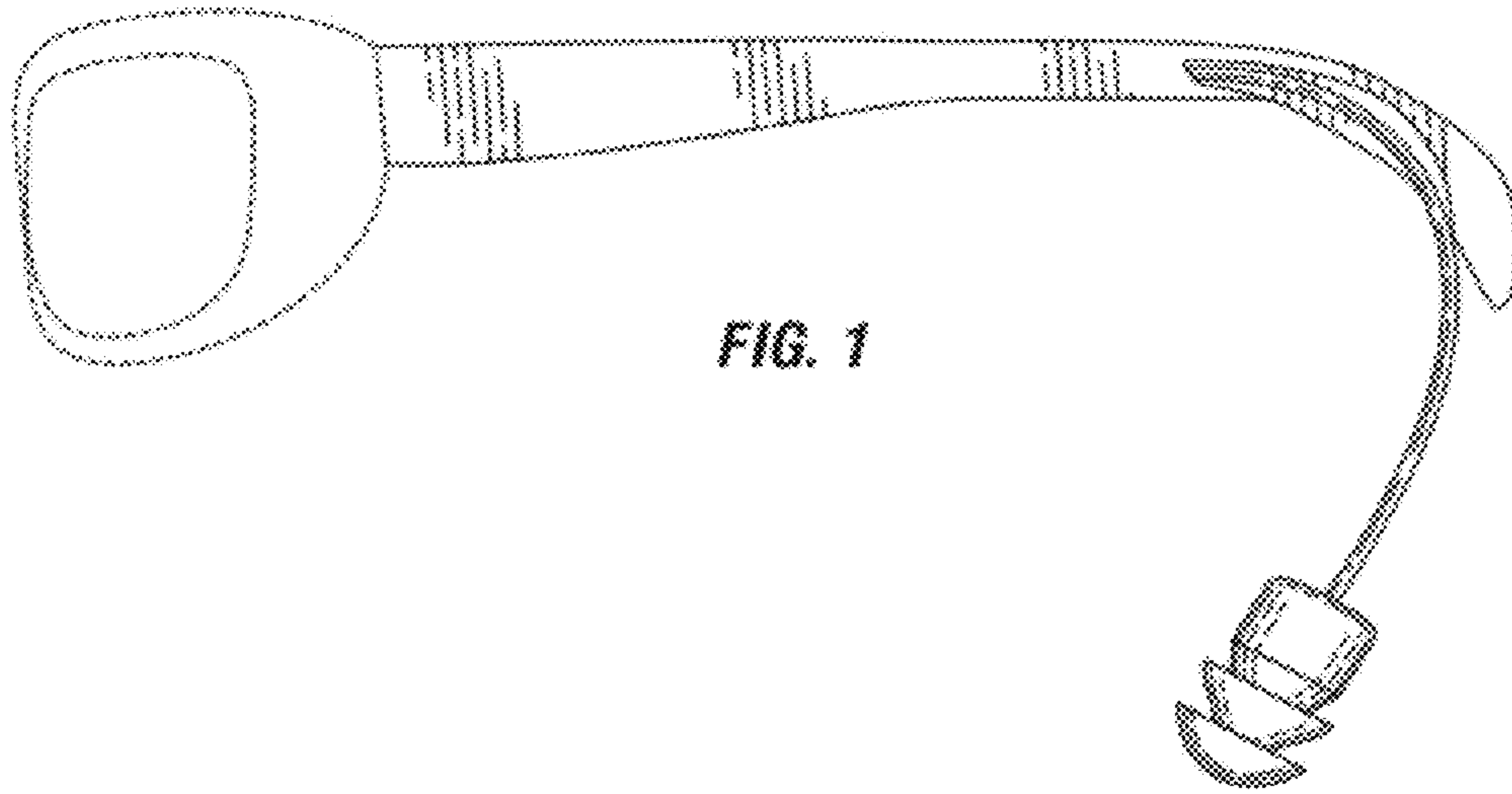


FIG. 1

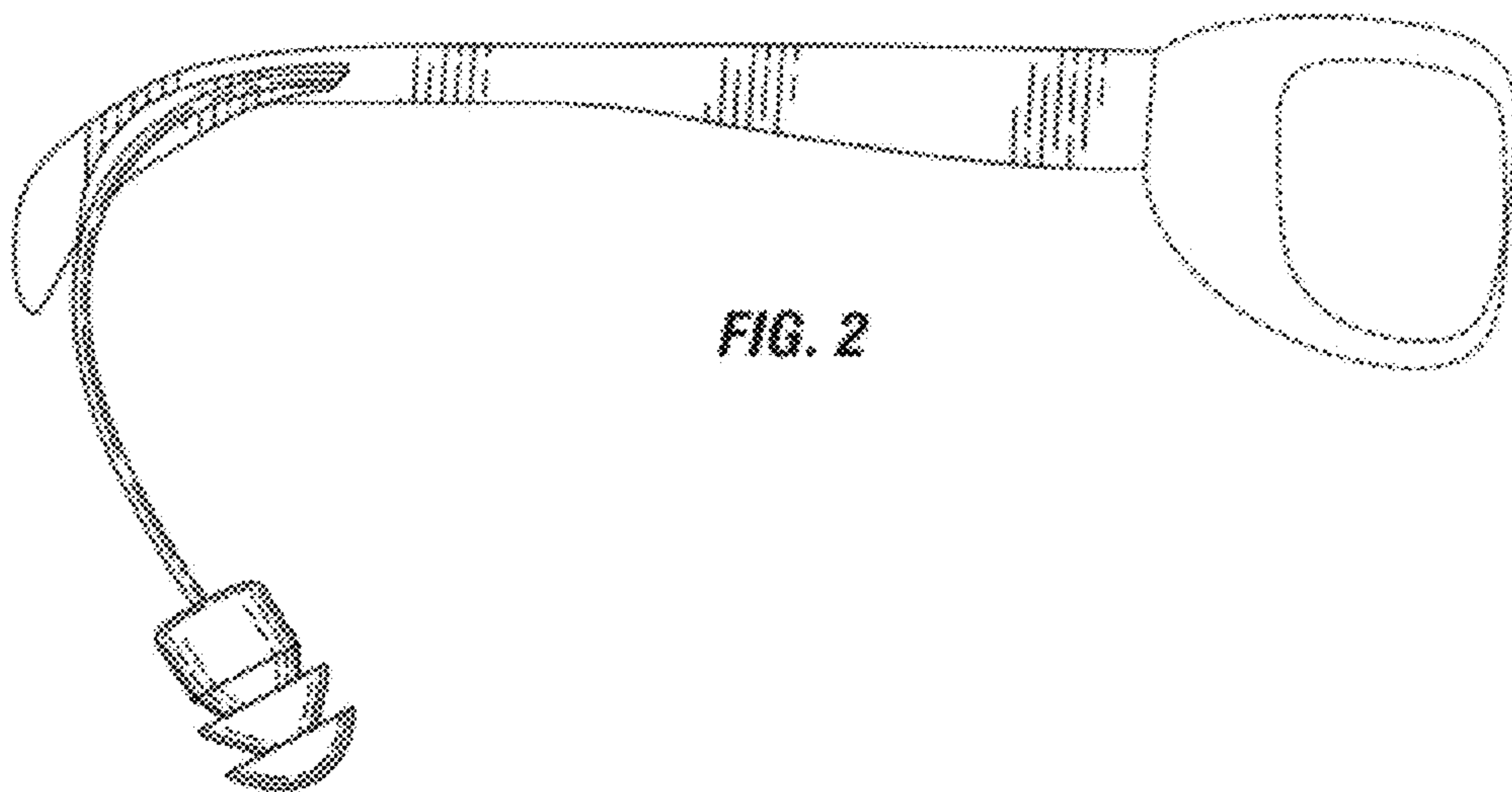


FIG. 2



FIG. 3

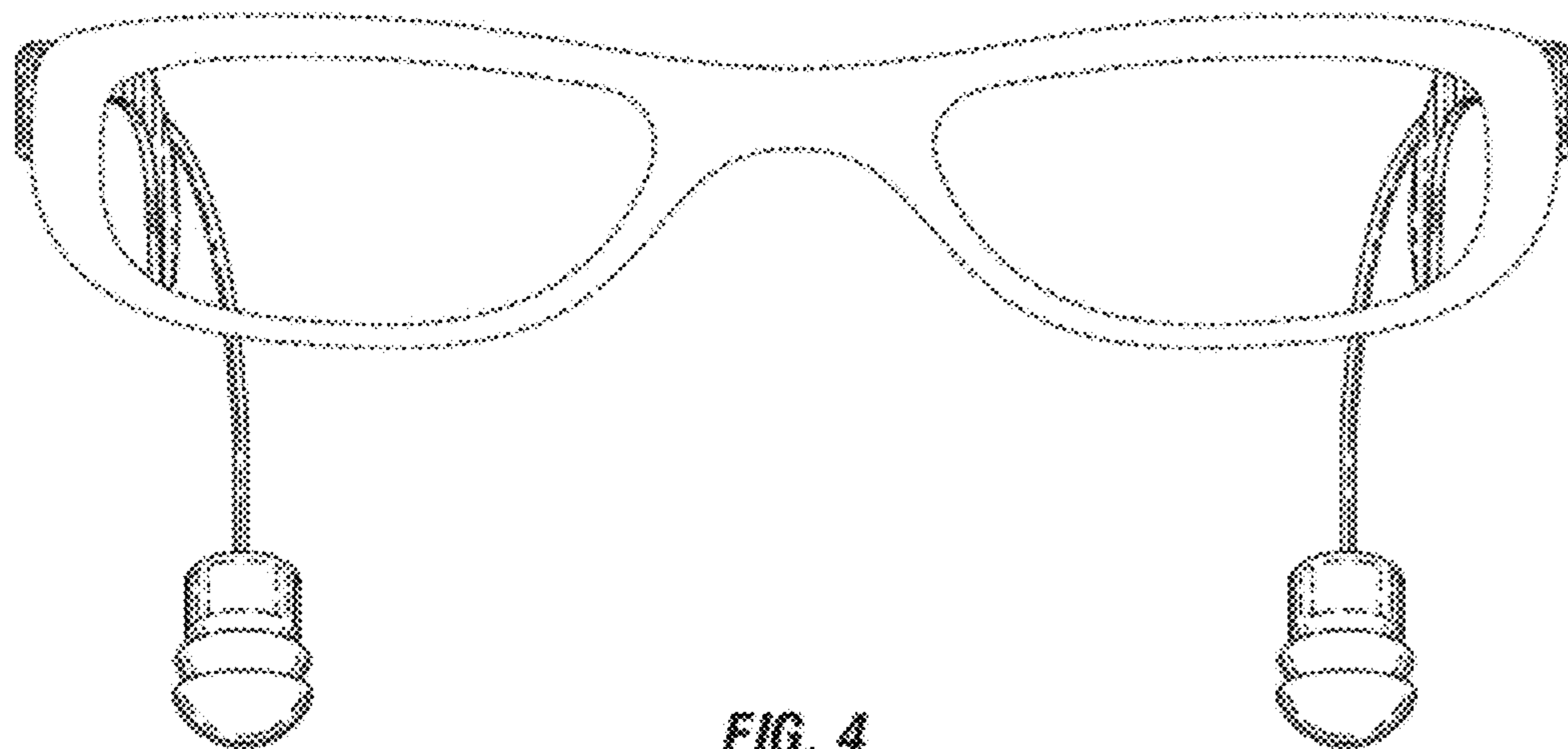


FIG. 4

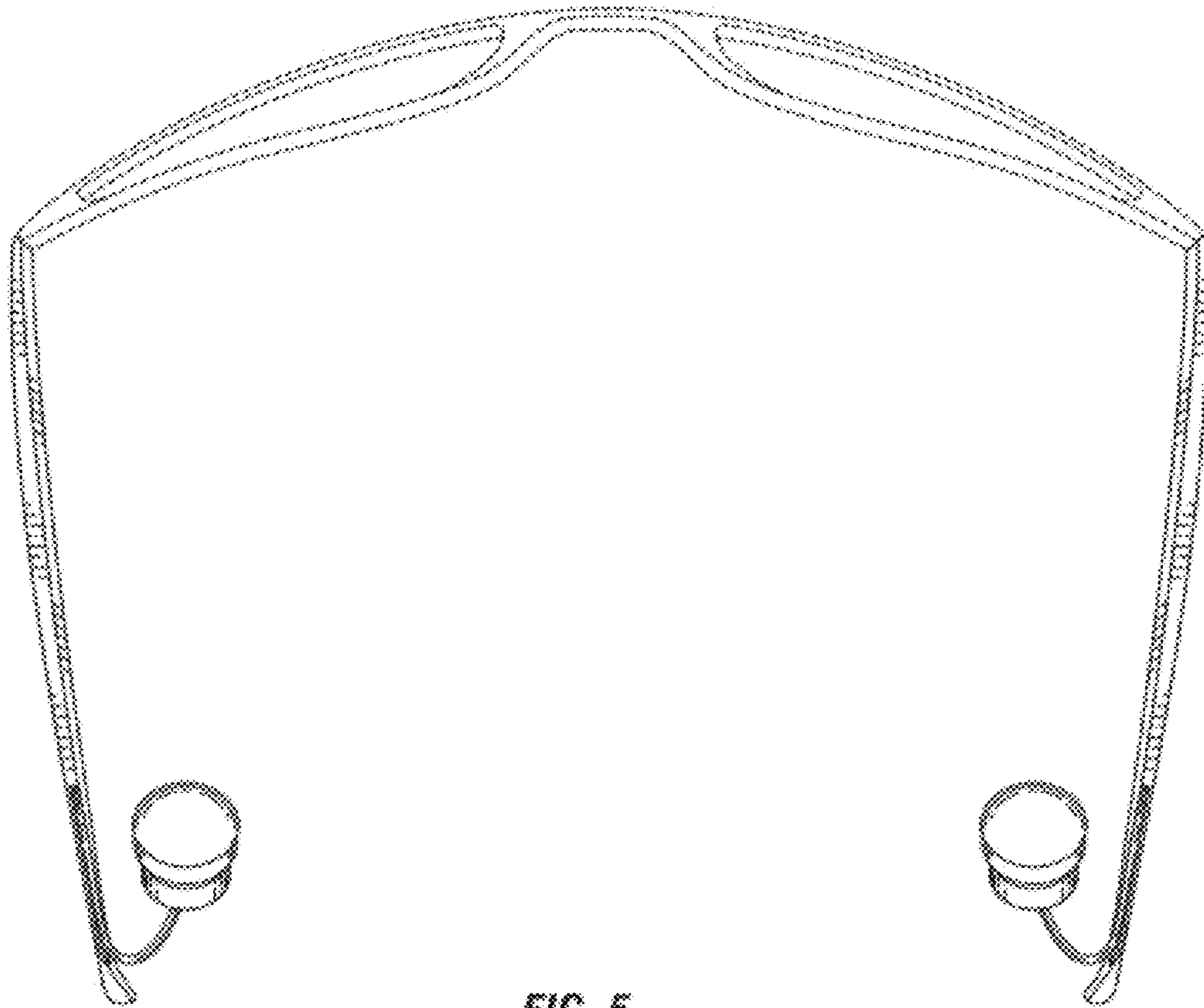


FIG. 5

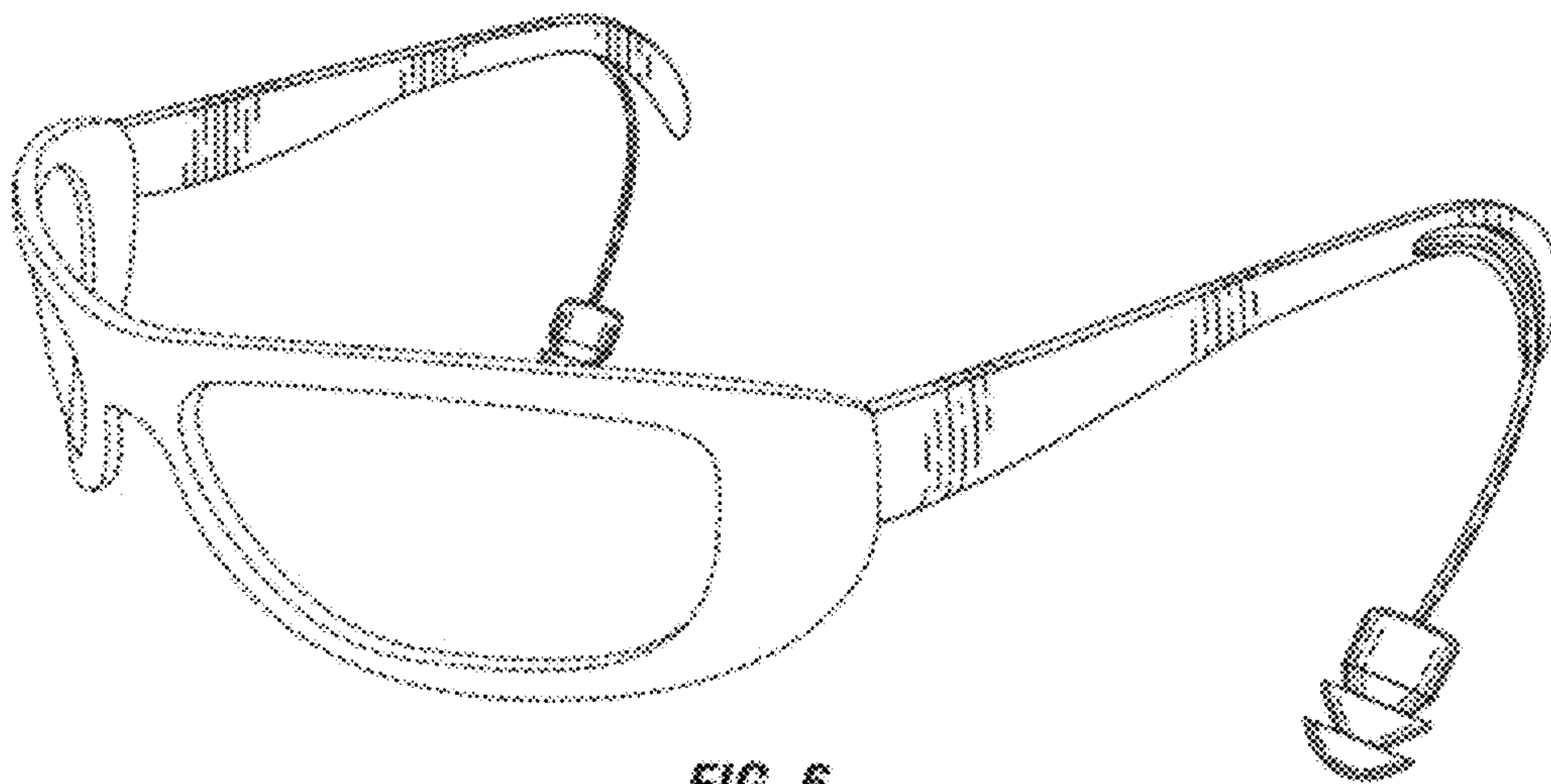


FIG. 6