

US00D666286S

(12) **United States Design Patent**  
**Chery**

(10) **Patent No.:** **US D666,286 S**

(45) **Date of Patent:** **\*\* Aug. 28, 2012**

(54) **ANIMAL SUPPLEMENT BOLUS**

(75) Inventor: **Laurent Chery**, Chateaubernard (FR)

(73) Assignee: **HFV S.A.S.**, Commentry (FR)

(\*\*) Term: **14 Years**

(21) Appl. No.: **29/399,452**

(22) Filed: **Aug. 15, 2011**

(51) **LOC (9) Cl.** ..... **28-01**

(52) **U.S. Cl.** ..... **D24/101**

(58) **Field of Classification Search** ..... D24/100-104;  
424/451, 453, 464, 467, 474, 438, 475; D21/471,  
D21/478, 499, 500, 504; D1/100, 101, 127,  
D1/121

See application file for complete search history.

(56) **References Cited**

**U.S. PATENT DOCUMENTS**

D272,848 S *	2/1984	Koziol	.....	D13/100
D300,673 S *	4/1989	Rhoa et al.	.....	D24/101
D302,481 S *	7/1989	Miller et al.	.....	D24/103
D316,914 S *	5/1991	Withington	.....	D24/101

D331,280 S *	11/1992	Tovey	.....	D24/101
5,482,008 A *	1/1996	Stafford et al.	.....	119/174
D592,377 S *	5/2009	Lee et al.	.....	D1/127
D649,738 S *	12/2011	Hollmann	.....	D1/106

\* cited by examiner

*Primary Examiner* — Ian Simmons

*Assistant Examiner* — Charles Hanson

(74) *Attorney, Agent, or Firm* — Irving N. Feit; Hoffmann & Baron, LLP

(57) **CLAIM**

The ornamental design for an animal supplement bolus, as shown and described in the description.

**DESCRIPTION**

FIG. 1 is a top perspective view thereof;  
FIG. 2 is a right end view, the left end view being a mirror image thereof;  
FIG. 3 is a top view, the bottom view being a mirror image thereof; and,  
FIG. 4 is a front view, the rear view being a mirror image thereof.

**1 Claim, 2 Drawing Sheets**

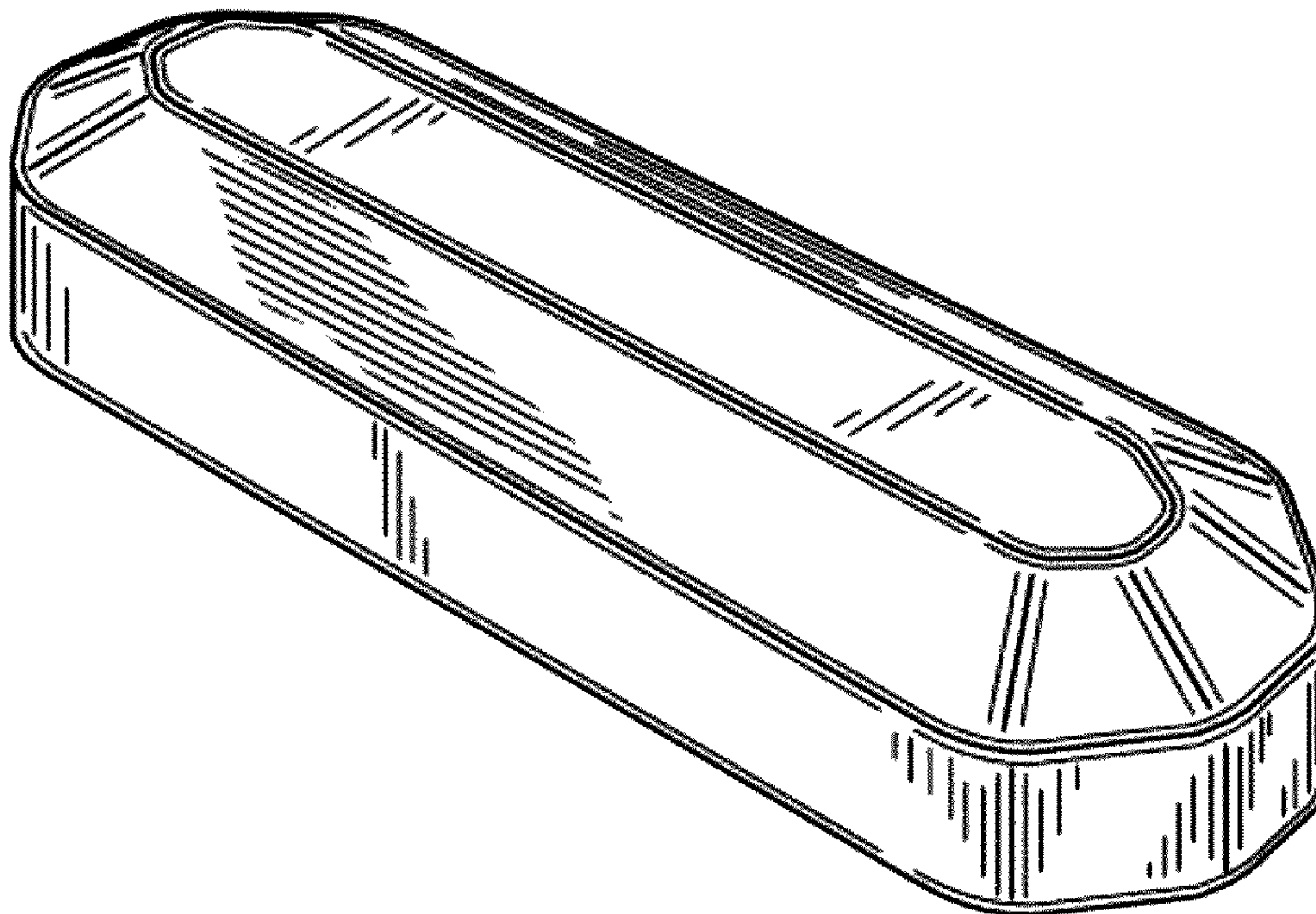


FIG. 1

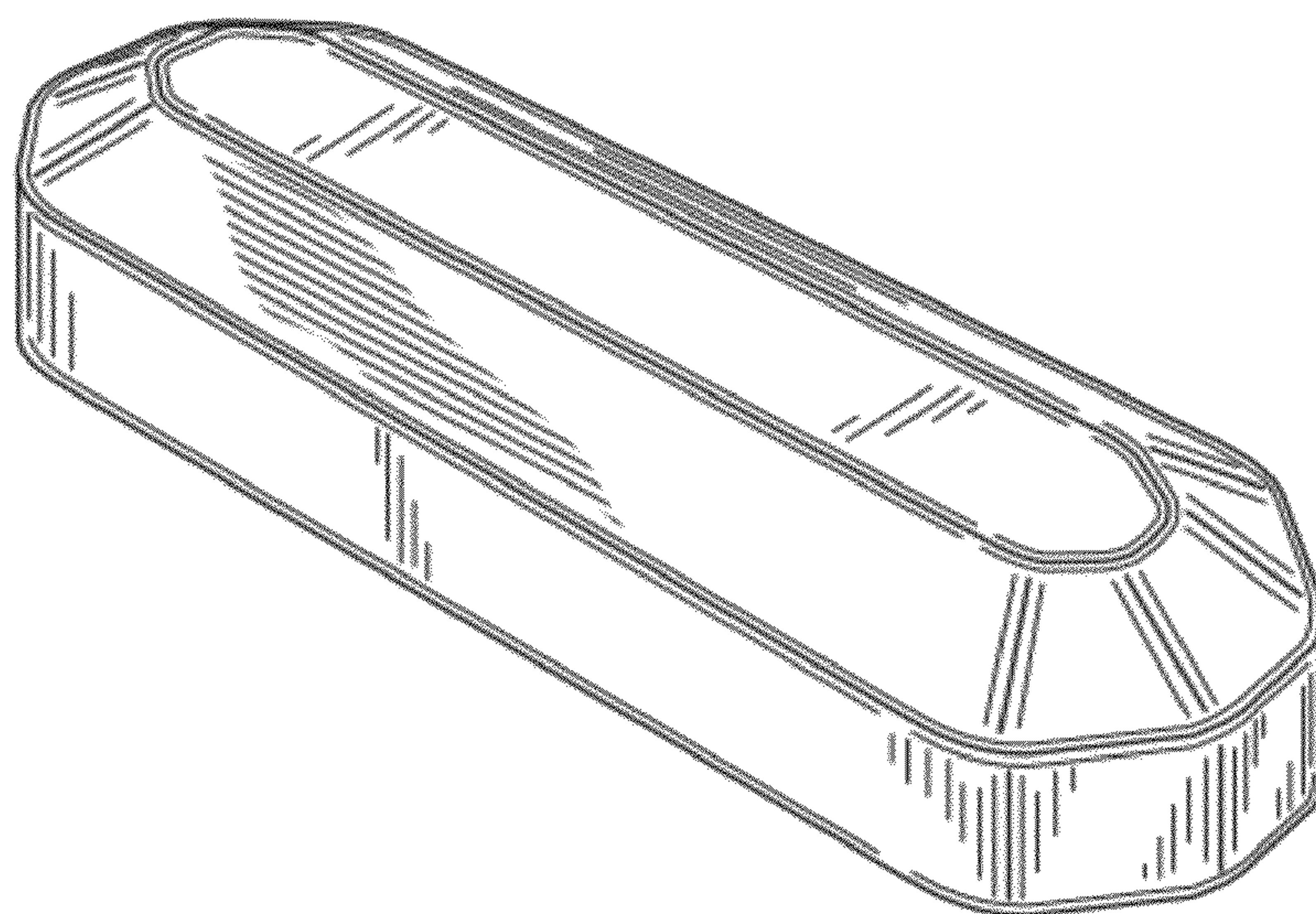


FIG. 2

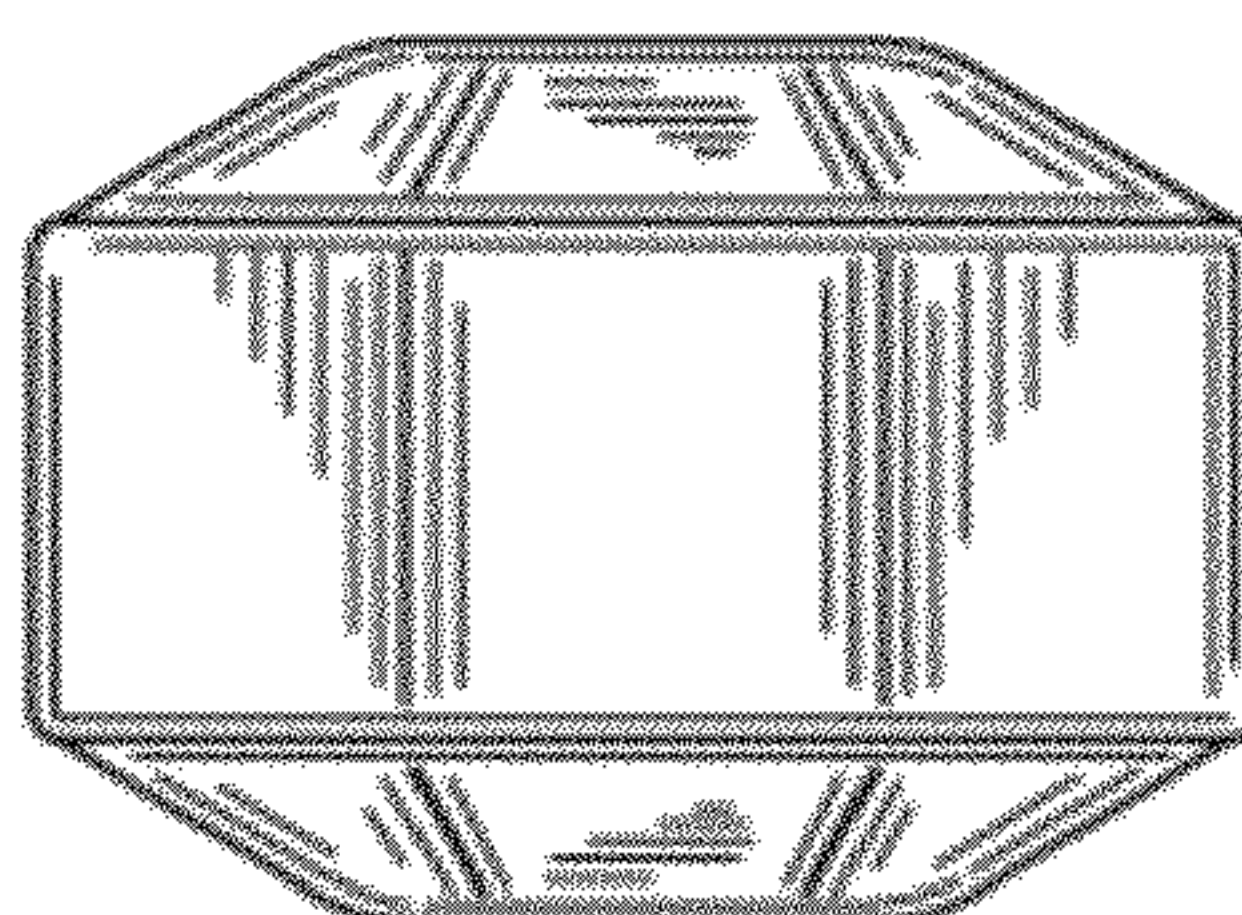




FIG. 3

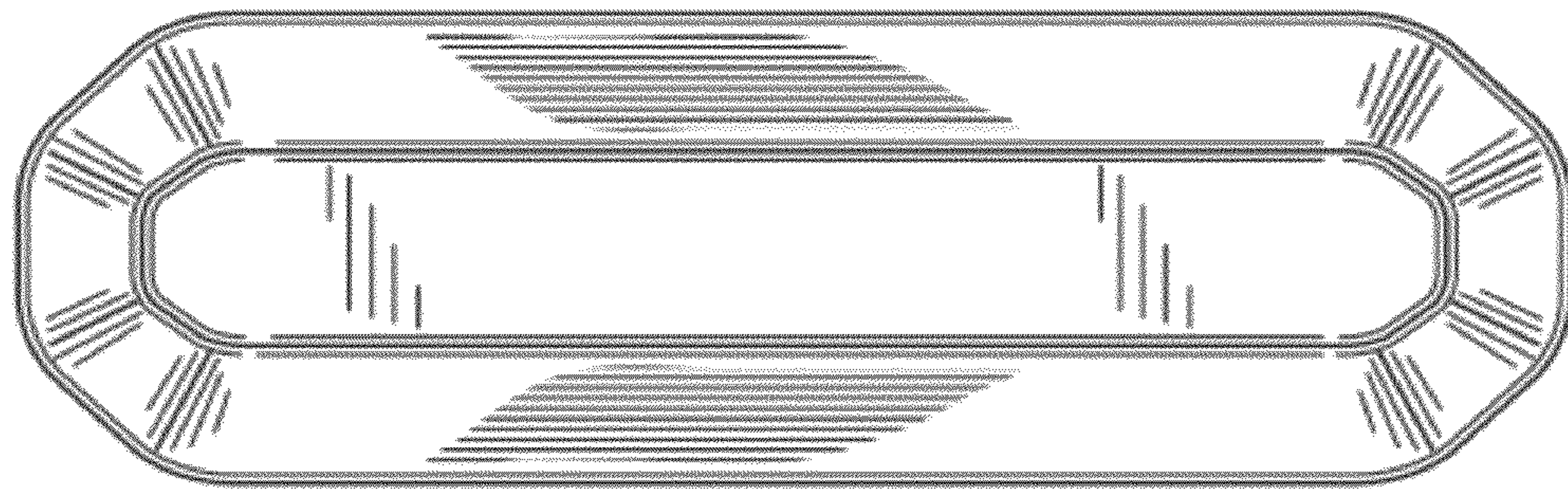


FIG. 4

