

US00D666284S

(12) **United States Design Patent**  
**Robinson et al.**

(10) **Patent No.:** **US D666,284 S**  
(45) **Date of Patent:** **\*\* Aug. 28, 2012**

(54) **AIR FRESHENER CASE**  
(75) Inventors: **Lorene Robinson**, Lynchburg, VA (US);  
**Jim Ramaker**, Moneta, VA (US);  
**Neohni Warner**, Forest, VA (US);  
**Jennifer Choate**, Lynchburg, VA (US);  
**Jon Irvan**, Bedford, VA (US)

5,240,653 A 8/1993 Ramkissoon  
5,242,111 A 9/1993 Nakoneczny et al.  
5,368,822 A 11/1994 McNeil  
5,460,787 A 10/1995 Colon  
5,527,493 A 6/1996 McElfresh et al.  
D382,050 S 8/1997 Hayes  
5,671,484 A 9/1997 Lee, III  
D385,025 S 10/1997 Ho

(Continued)

(73) Assignee: **Smith Mountain Industries, Inc.**,  
Forest, VA (US)

**FOREIGN PATENT DOCUMENTS**

CA 2 125 813 1/1995

(\*\*) Term: **14 Years**

(Continued)

(21) Appl. No.: **29/404,998**

**OTHER PUBLICATIONS**

(22) Filed: **Oct. 27, 2011**

Abstract for CN 101655276.

(51) **LOC (9) Cl.** ..... **28-99**

(Continued)

(52) **U.S. Cl.** ..... **D23/368**

(58) **Field of Classification Search** ..... D23/355-369;  
D28/5, 6; 261/DIG. 17, DIG. 42, DIG. 65,  
261/DIG. 88, DIG. 89; 392/386, 390, 394,  
392/395; 239/34, 44, 53, 55, 56, 326

*Primary Examiner* — Sandra Snapp

(74) *Attorney, Agent, or Firm* — Frost Brown Todd LLC

See application file for complete search history.

(57)

**CLAIM**

The ornamental design for an air freshener case, as shown and described.

(56) **References Cited**

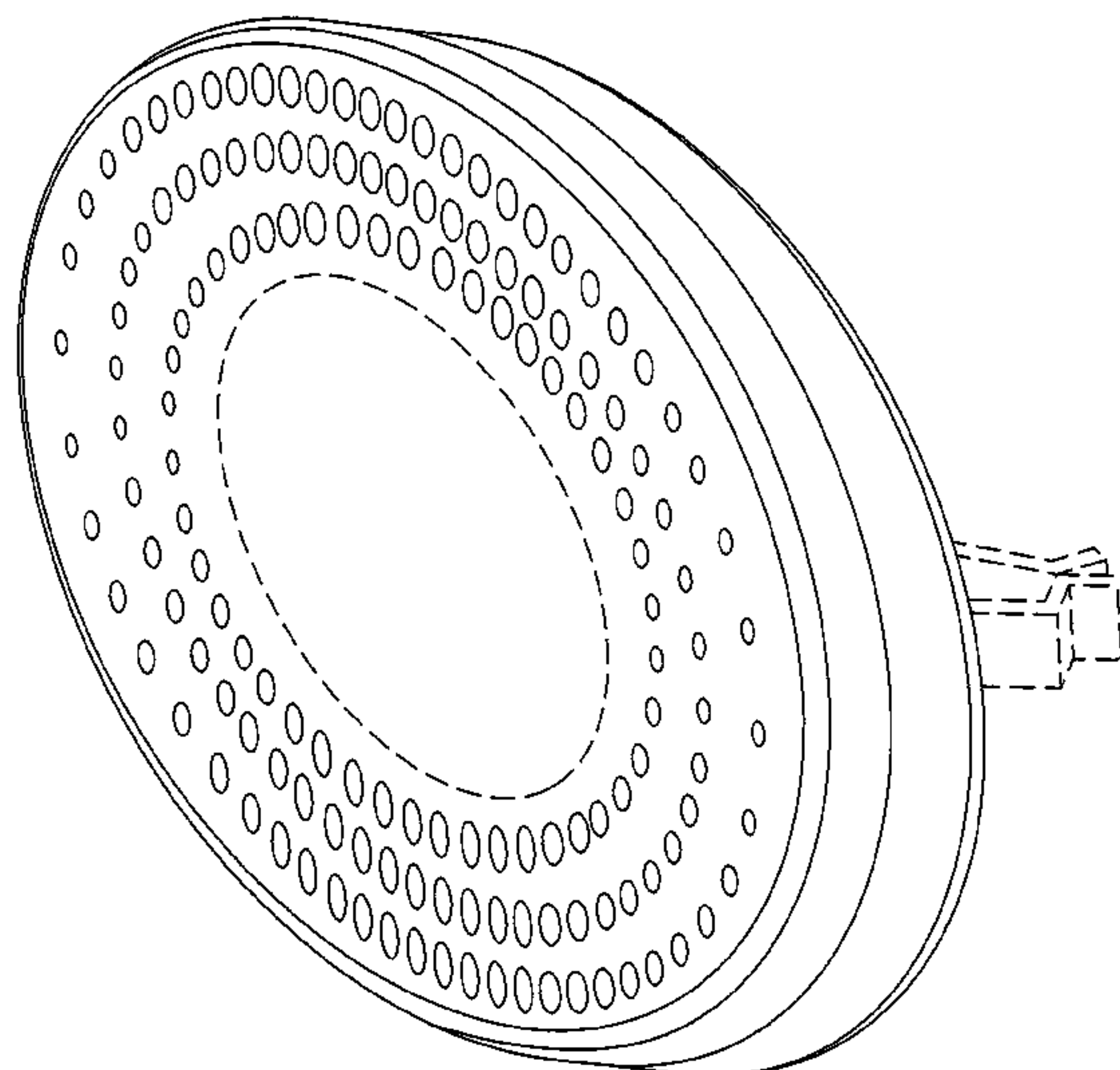
**DESCRIPTION**

**U.S. PATENT DOCUMENTS**

3,423,022 A 1/1969 Varley  
3,844,478 A 10/1974 Davis  
3,908,905 A 9/1975 Von Philipp et al.  
4,065,262 A 12/1977 Petroff  
4,220,281 A 9/1980 Martens, III et al.  
4,306,892 A 12/1981 Atalla et al.  
4,493,011 A 1/1985 Spector  
4,523,870 A 6/1985 Spector  
4,544,592 A 10/1985 Spector  
4,563,333 A 1/1986 Frigon  
4,604,114 A 8/1986 Ward  
4,771,563 A 9/1988 Easley  
4,840,773 A 6/1989 Wade  
4,903,584 A 2/1990 Styles  
D323,383 S \* 1/1992 Keays et al. .... D23/366  
5,171,485 A 12/1992 Ryan  
5,178,327 A 1/1993 Palamand et al.

FIG. 1 is a perspective view of an embodiment of an air freshener case showing our new design.  
FIG. 2 is another perspective view thereof; and,  
FIG. 3 is another perspective view thereof.  
FIG. 4 is a top plan view thereof.  
FIG. 5 is a bottom plan view thereof.  
FIG. 6 is a front elevation view thereof, the rear elevation view being a mirror image thereof; and,  
FIG. 7 is a left side elevation view thereof, the right side elevation view being a mirror image thereof.  
The broken lines in the drawings are included for purposes of illustrating portions of the environment used with the air freshener case that form no part of the claimed design.

**1 Claim, 5 Drawing Sheets**



# US D666,284 S

Page 2

## U.S. PATENT DOCUMENTS

D392,733	S *	3/1998	Gatzemeyer et al. ....	D23/366
5,775,876	A	7/1998	Walker et al.	
5,820,791	A	10/1998	Canale	
5,853,672	A	12/1998	Lorman et al.	
5,861,128	A	1/1999	Vick et al.	
5,899,382	A	5/1999	Hayes et al.	
6,103,201	A	8/2000	Green	
6,117,218	A	9/2000	Snyder et al.	
6,197,263	B1	3/2001	Blount	
6,386,971	B1	5/2002	Johnson	
6,443,434	B1	9/2002	Prather	
6,589,047	B1	7/2003	Papai	
D491,257	S *	6/2004	Picken, Jr. ....	D23/366
D522,640	S	6/2006	Miro	
D532,893	S	11/2006	Wu	
7,159,792	B2	1/2007	Wheatley et al.	
7,210,812	B1	5/2007	Linton	
D546,433	S *	7/2007	Wu .....	D23/366
D549,812	S *	8/2007	Fellows et al. ....	D23/366
D550,345	S *	9/2007	Weggelaar .....	D23/366
D551,333	S *	9/2007	Wu .....	D23/366
7,293,719	B2	11/2007	Wheatley et al.	
D607,982	S *	1/2010	Seehoff .....	D23/366
7,661,929	B1	2/2010	McVay	
7,687,037	B2	3/2010	Wheatley et al.	
D613,391	S	4/2010	Schwartz et al.	
7,798,663	B1	9/2010	Pitts	
D629,881	S	12/2010	Valentino et al.	
7,854,393	B2	12/2010	DiBello et al.	
D633,610	S	3/2011	Wu	
D646,769	S *	10/2011	Angel et al. ....	D23/366
2002/0139251	A1	10/2002	Simmons	
2002/0158351	A1	10/2002	Wohrle	
2002/0197188	A1	12/2002	Lua	
2003/0012680	A1	1/2003	Balsys	
2003/0107139	A1	6/2003	Wohrle	
2003/0223040	A1	12/2003	Schermerhorn	
2004/0067729	A1	4/2004	Bourbon	
2004/0086815	A1	5/2004	Hermanson	
2004/0223891	A1	11/2004	Brown	
2004/0235570	A1	11/2004	Rothschild et al.	
2005/0031498	A1	2/2005	Held	
2006/0033221	A1	2/2006	Lin	
2006/0037126	A1	2/2006	Hippensteel	
2006/0053536	A1	3/2006	Hippensteel	
2008/0003104	A1	1/2008	Betlach	
2008/0242214	A1	10/2008	Sung	
2009/0072045	A1	3/2009	Wheatley et al.	
2009/0261181	A1	10/2009	Cheung	

2010/0230509	A1	9/2010	Beal
2011/0005308	A1	1/2011	Kern et al.
2011/0027736	A1	2/2011	Decker
2011/0110823	A1	5/2011	Wheatley et al.

## FOREIGN PATENT DOCUMENTS

CA	2 298 086	8/2001
CA	2 728 342	1/2010
CN	201029480	3/2008
CN	101655276	2/2010
GB	326872	3/1930
GB	482843	4/1938
GB	932203	7/1963
GB	2 249 958	5/1992
GB	2 251 792	7/1992
JP	10-94593	4/1982
JP	4-144516	5/1992
JP	8-131313	5/1996
JP	2000-308677	11/2000
JP	2007-143757	6/2007
WO	WO 01/42852	6/2001
WO	WO 2006/060559	6/2006
WO	WO 2007/062374	5/2007

## OTHER PUBLICATIONS

Abstract for CN 201029480.  
 Abstract for JP 4144516.  
 Abstract for JP 8131313.  
 Abstract for JP2000308677.  
 Abstract for JP2007143757.  
 "Breeza vent," [http://i.salmartimages.com/i/mp/MP/10/00/03/89/MP10000389543\\_P255045\\_300X300.jpg](http://i.salmartimages.com/i/mp/MP/10/00/03/89/MP10000389543_P255045_300X300.jpg), printed Jul. 25, 2011.  
 "Car Vent Stick," Yankee Candle, <http://www.yankee-candle.com/home-car/Car-Vent-Stick>, printed Jul. 25, 2011.  
 "Vent Perfume products, buy Vent Perfume products from alibaba.com," [http://www.alibaba.com/product-gs/251862037/Vent\\_Perfume.html](http://www.alibaba.com/product-gs/251862037/Vent_Perfume.html), printed Jul. 23, 2011.  
 "Vent scent Sales, Buy vent scent products from alibaba.com," [http://www.alibaba.com/product-gs/343974298/vent\\_scent/showimage.html](http://www.alibaba.com/product-gs/343974298/vent_scent/showimage.html), printed Jul. 25, 2011.  
 "WEB FilterFresh Scented Filter Pads," Web Products, Inc., <http://www.webproducts.com/Detail.bok?no=43>, printed Jul. 25, 2011.  
 "WEB FilterFresh Whole Home Air Freshener," WEB Products, Inc., [www.webproducts.com](http://www.webproducts.com).  
 WoodWick Freshener, <http://www.taogifts.co.uk/applewood-woodwick-candles---car-scents-air-freshener-20821-p.asp>, retrieved Aug. 18, 2011.

\* cited by examiner

FIG. 1

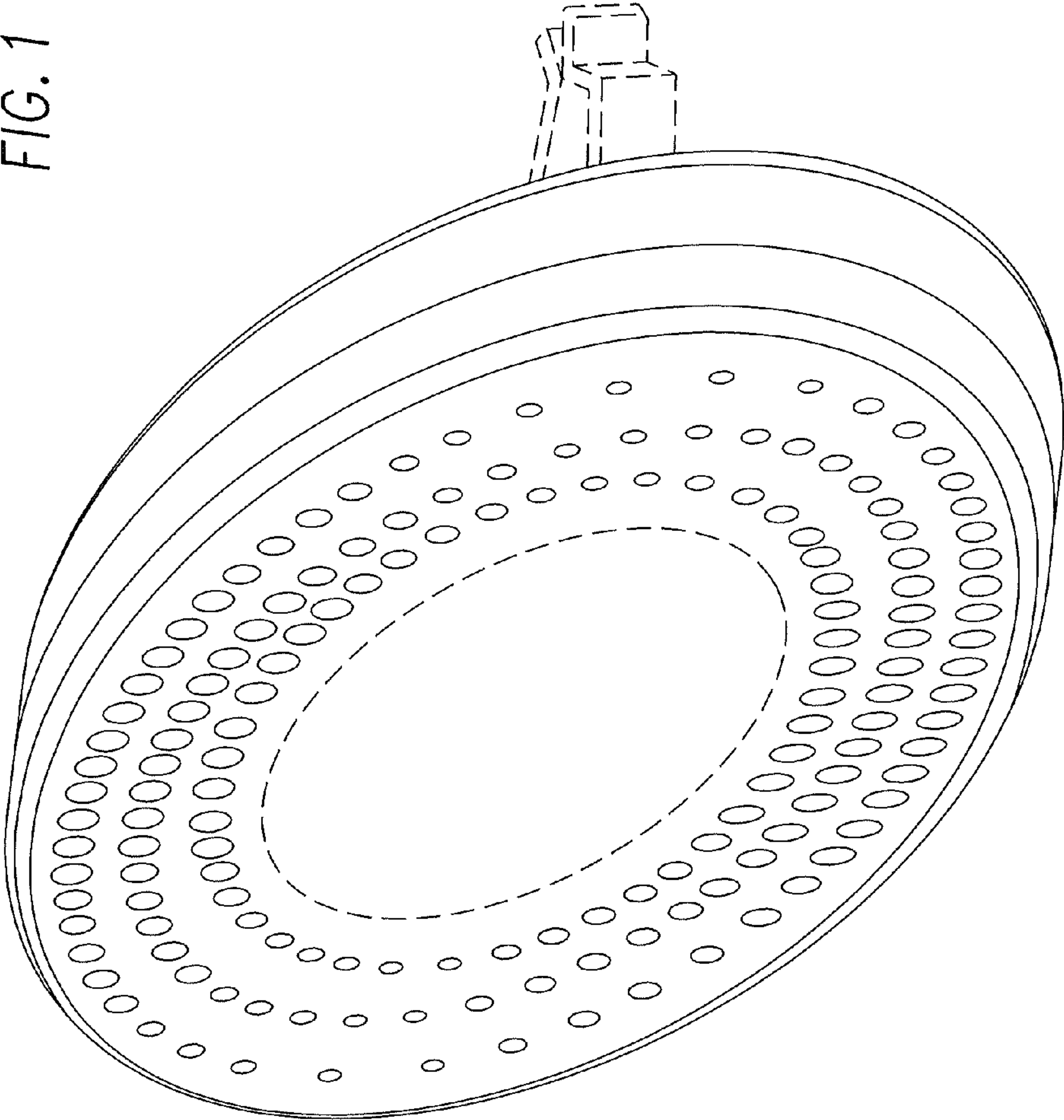




FIG. 2

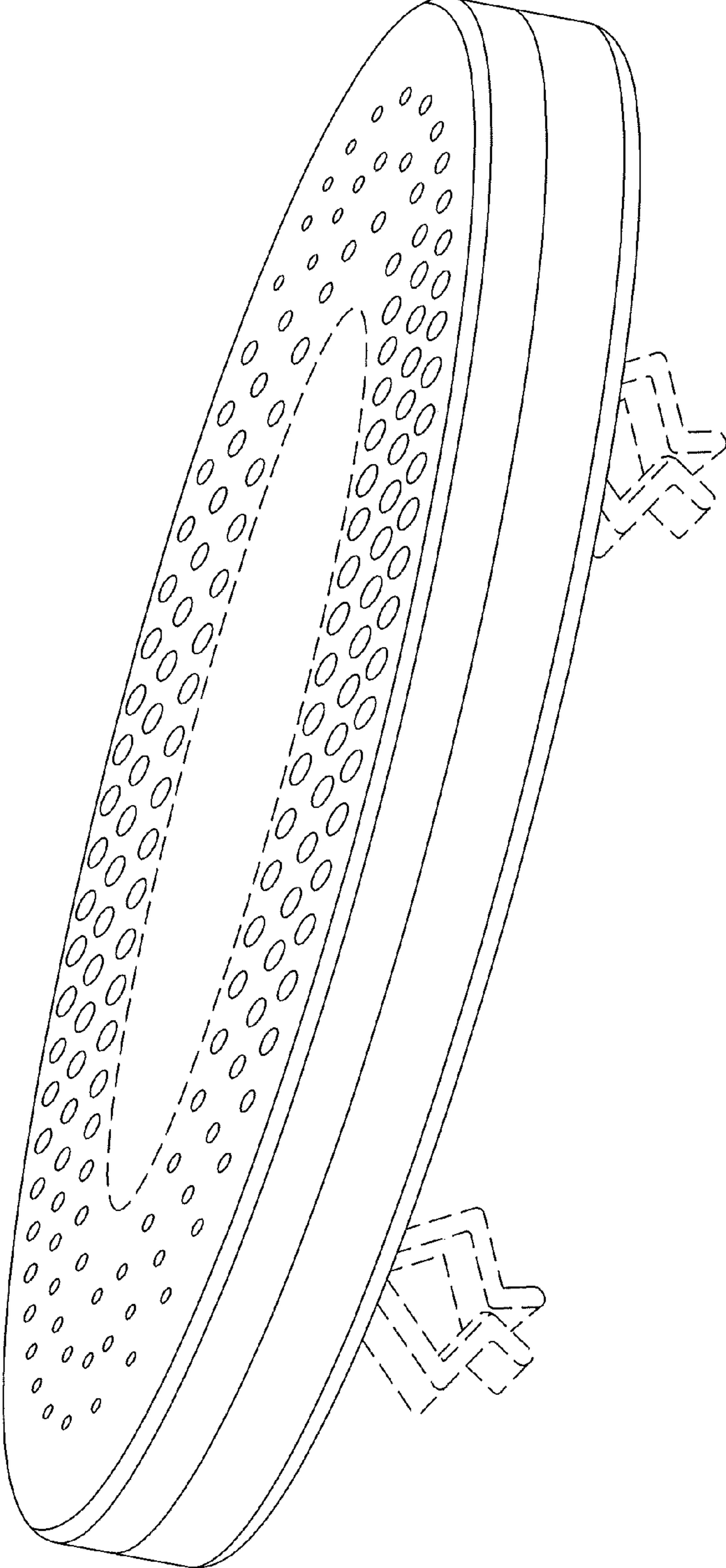


FIG. 3

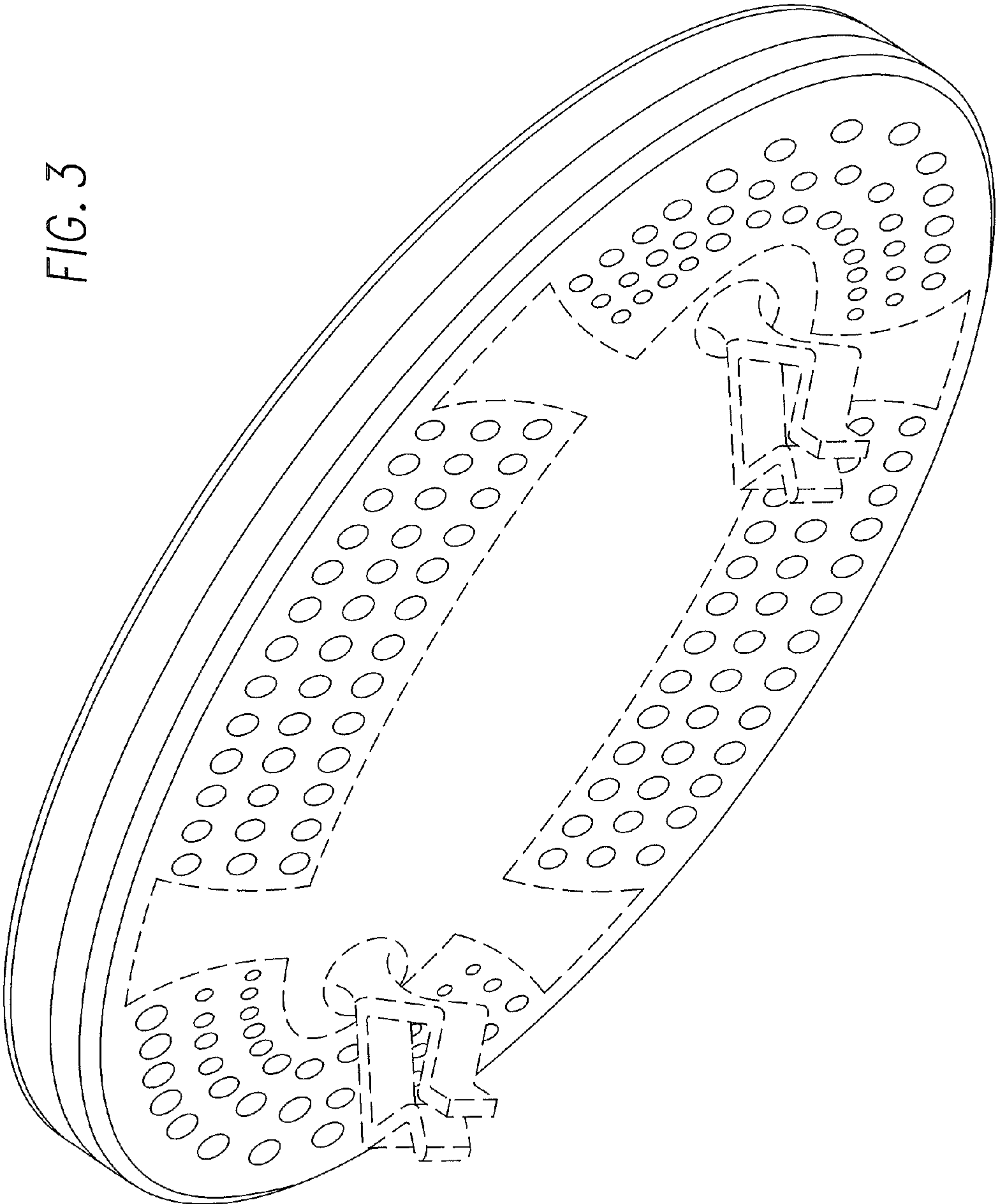


FIG. 4

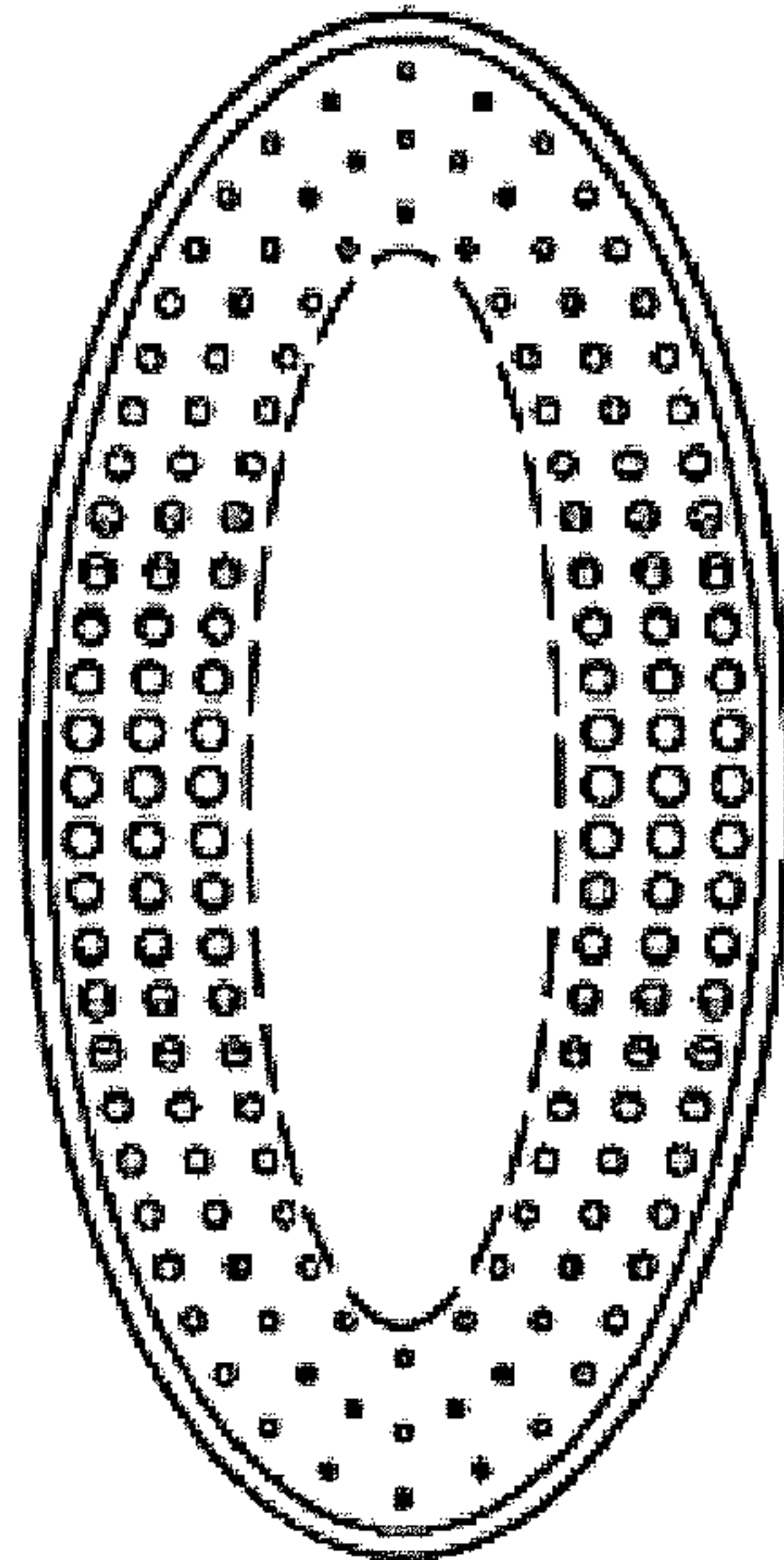


FIG. 5

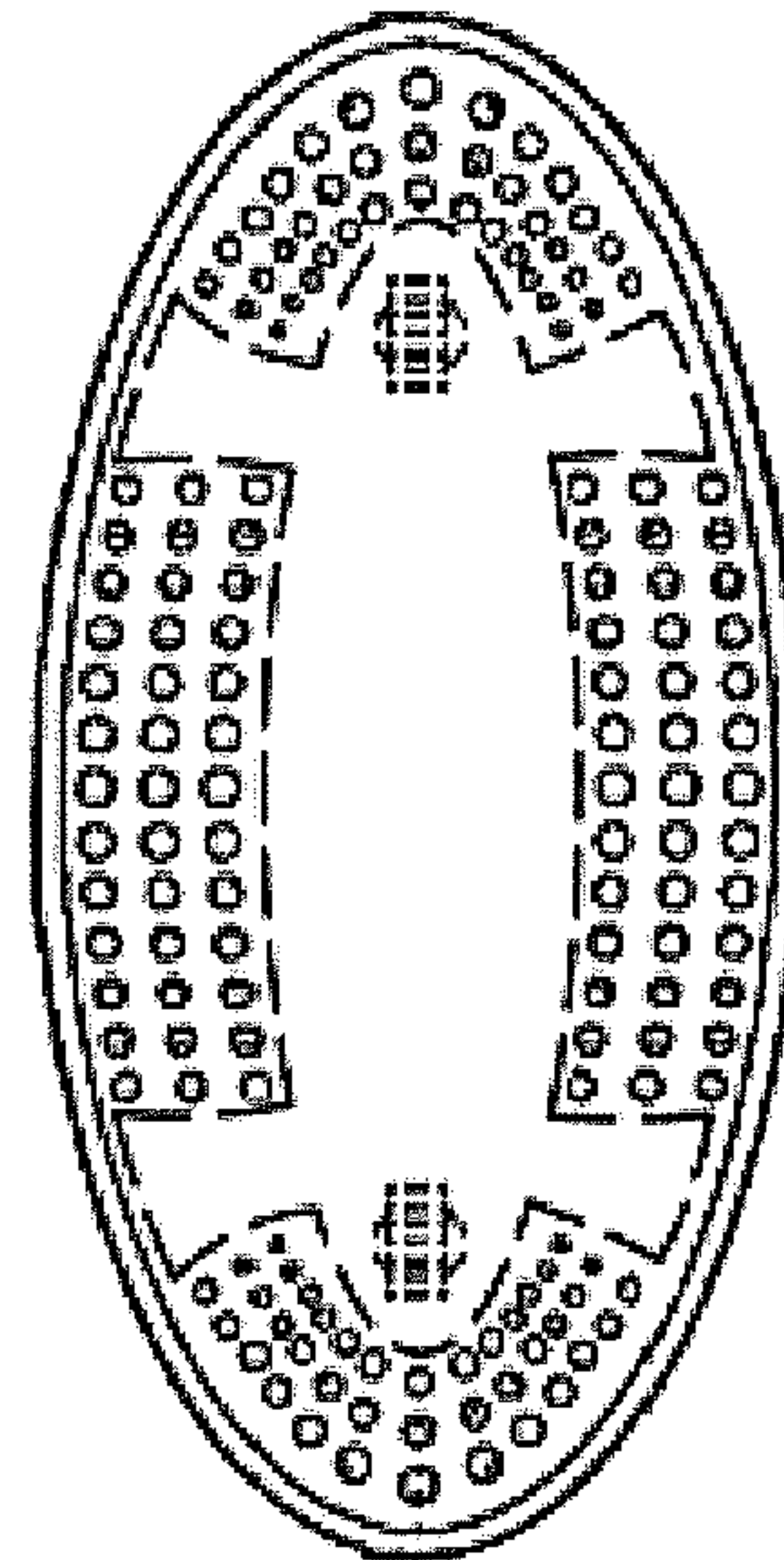


FIG. 6

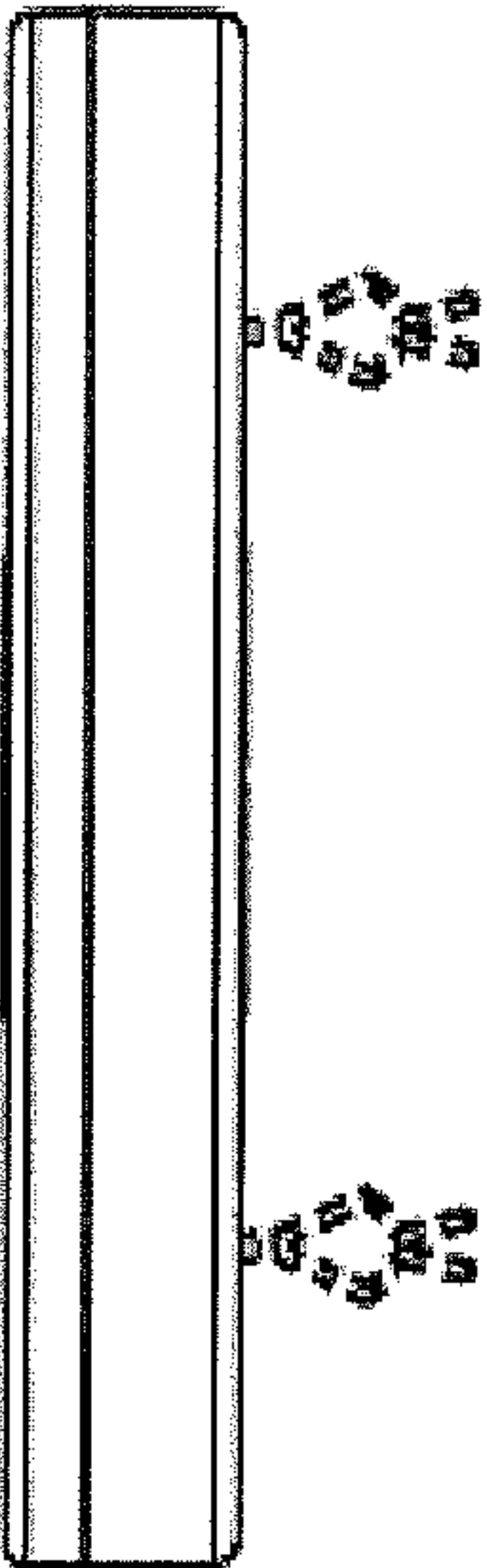


FIG. 7

