

US00D666283S

(12) **United States Design Patent**
Mandell et al.

(10) **Patent No.:** **US D666,283 S**

(45) **Date of Patent:** **** *Aug. 28, 2012**

(54) **DIFFUSER**

(75) Inventors: **Jonathan N. Mandell**, Gurnee, IL (US);
George Kyaw Soe Maung Aye,
Chicago, IL (US); **Dan Kraemer**,
Chicago, IL (US)

(73) Assignee: **S.C. Johnson & Son, Inc.**, Racine, WI
(US)

(*) Notice: This patent is subject to a terminal disclaimer.

(**) Term: **14 Years**

(21) Appl. No.: **29/369,536**

(22) Filed: **Sep. 9, 2010**

(51) **LOC (9) Cl.** **28-99**

(52) **U.S. Cl.** **D23/366**

(58) **Field of Classification Search** D23/355-369;
D28/5, 6; 261/DIG. 17, DIG. 42, DIG. 47,
261/DIG. 55, DIG. 65, DIG. 70, DIG. 88,
261/DIG. 89; 392/386, 390, 392, 394, 395;
239/34, 44, 53, 56, 60, 308, 326; 242/590,
242/594.5, 599

See application file for complete search history.

(56) **References Cited**

U.S. PATENT DOCUMENTS

D332,836 S	1/1993	Ham	
D334,642 S	4/1993	Allen	
D374,294 S	10/1996	Yuen	
D407,477 S	3/1999	Chen	
D431,660 S	10/2000	Yuen	
D432,222 S *	10/2000	Rymer et al.	D23/366
D433,744 S *	11/2000	Basaganas	D23/366
D437,636 S	2/2001	Basaganas	
D453,560 S *	2/2002	Van Brunt	D23/355
D461,549 S *	8/2002	Garcia	D23/360

D501,676 S	2/2005	Millan	
D510,423 S	10/2005	Caserta et al.	
D518,160 S	3/2006	Normark	
D528,283 S *	9/2006	Holmes	D2/972
D529,162 S *	9/2006	Bulsink	D23/366
D534,265 S *	12/2006	Weggelaar	D23/366
D534,642 S	1/2007	Caserta et al.	
D535,735 S *	1/2007	Ruiz Ballesteros et al.	D23/366
D542,902 S	5/2007	Caserta et al.	
D542,903 S	5/2007	Caserta et al.	
D548,318 S *	8/2007	Copeman	D23/366
D555,480 S	11/2007	Nicosia et al.	

(Continued)

OTHER PUBLICATIONS

Attached photographs depict a device found in a Spanish grocery store (Mercadona) in 2010, 3 pages.

Primary Examiner — Sandra Snapp

(57) **CLAIM**

The ornamental design for a diffuser, as shown and described.

DESCRIPTION

FIG. 1 is a top perspective view of a first embodiment of a diffuser of the present invention;

FIG. 2 is a front elevational view of the diffuser of FIG. 1;

FIG. 3 is a rear elevational view of the diffuser of FIG. 1;

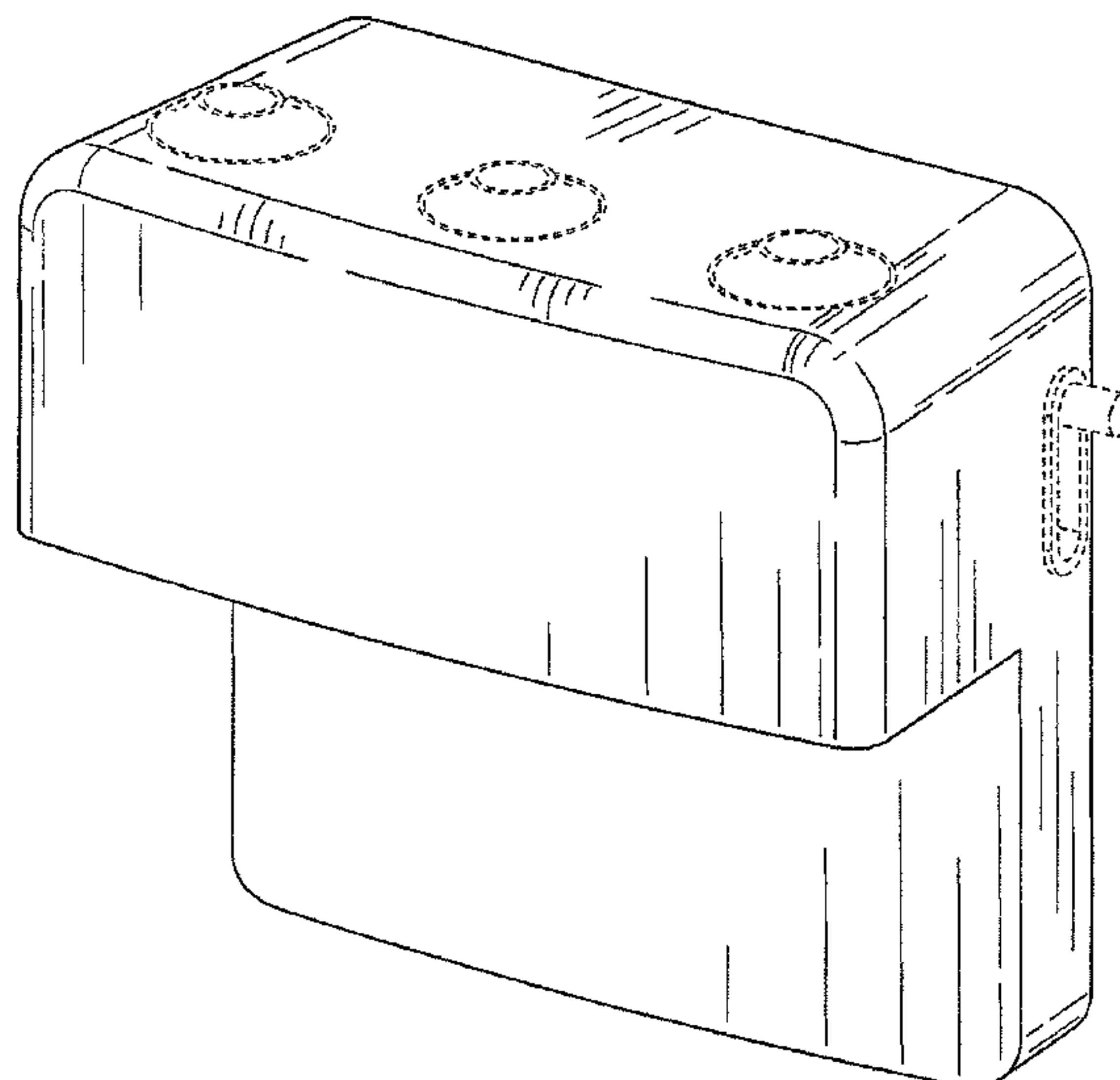
FIG. 4 is an elevational view of a first side of the diffuser of FIG. 1;

FIG. 5 is an elevational view of a second side of the diffuser of FIG. 1, wherein the second side is opposite the first side; and,

FIG. 6 is a top plan view of the diffuser of FIG. 1.

The subject matter shown in the figures in dashed lines are for the purpose of illustrating environmental structure and form no part of the claimed invention. Further, the bottom view forms no part of the claimed invention.

1 Claim, 6 Drawing Sheets



US D666,283 S

Page 2

U.S. PATENT DOCUMENTS

D556,311 S	*	11/2007	Copeman	D23/366	D596,730 S	*	7/2009	Langley et al.	D23/366
D561,319 S	*	2/2008	Weggelaar	D23/366	D604,402 S		11/2009	Tomas Vilarasa et al.	
D562,958 S		2/2008	Feriani et al.		D604,823 S		11/2009	Schwartz et al.	
D574,941 S	*	8/2008	Weggelaar	D23/366	D604,824 S		11/2009	Paolazzi et al.	
D582,025 S		12/2008	Zobebe et al.		D605,272 S		12/2009	Chun et al.	
D582,531 S		12/2008	Israel et al.		D608,435 S	*	1/2010	Zobebe et al.	D23/366
D584,808 S		1/2009	Moreno Perez et al.		D625,797 S	*	10/2010	Poves et al.	D23/366
D586,900 S	*	2/2009	Weggelaar	D23/366	D626,205 S	*	10/2010	Fabregas et al.	D23/366
D596,729 S		7/2009	Langley et al.						

* cited by examiner

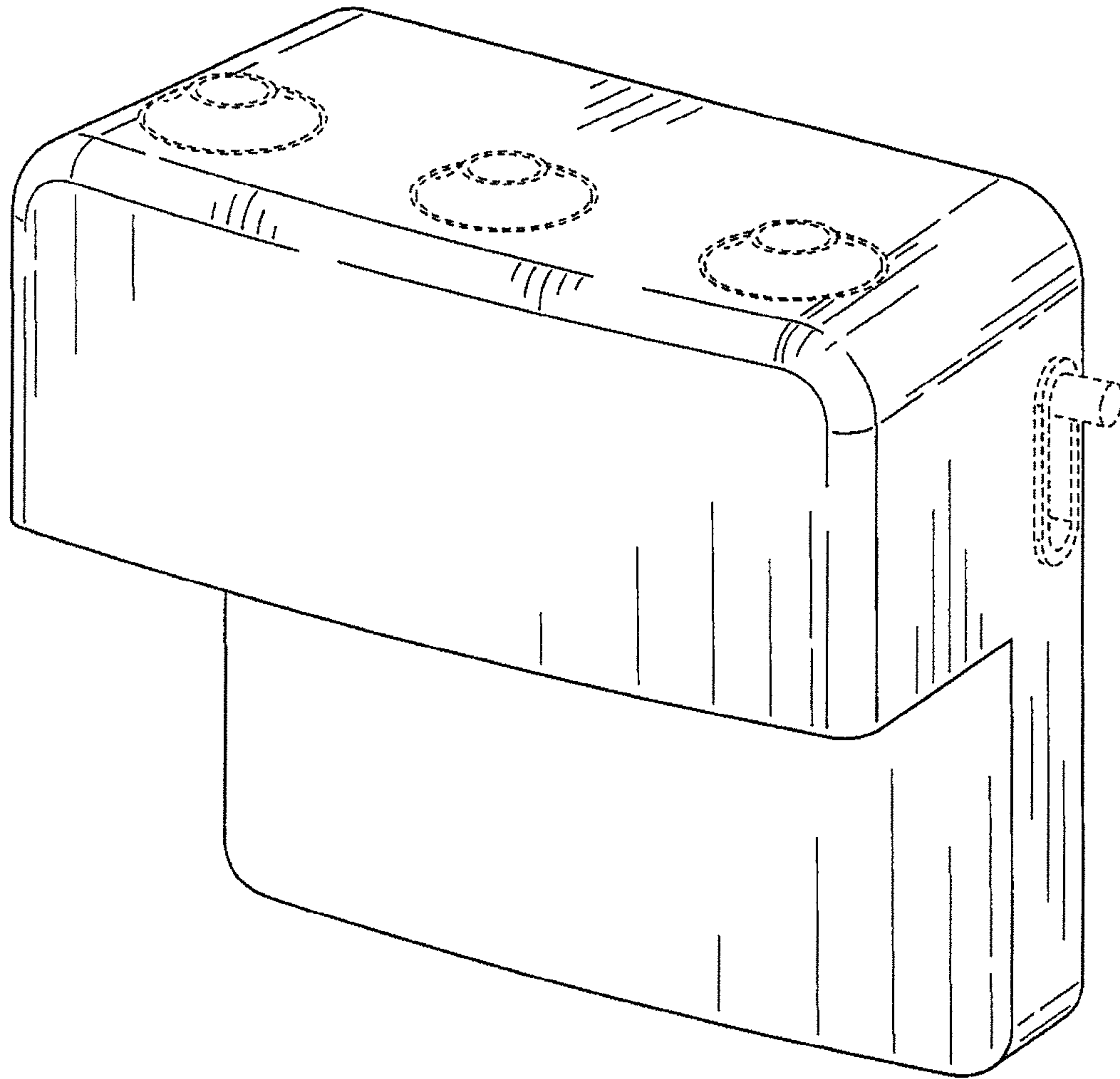


FIG. 1

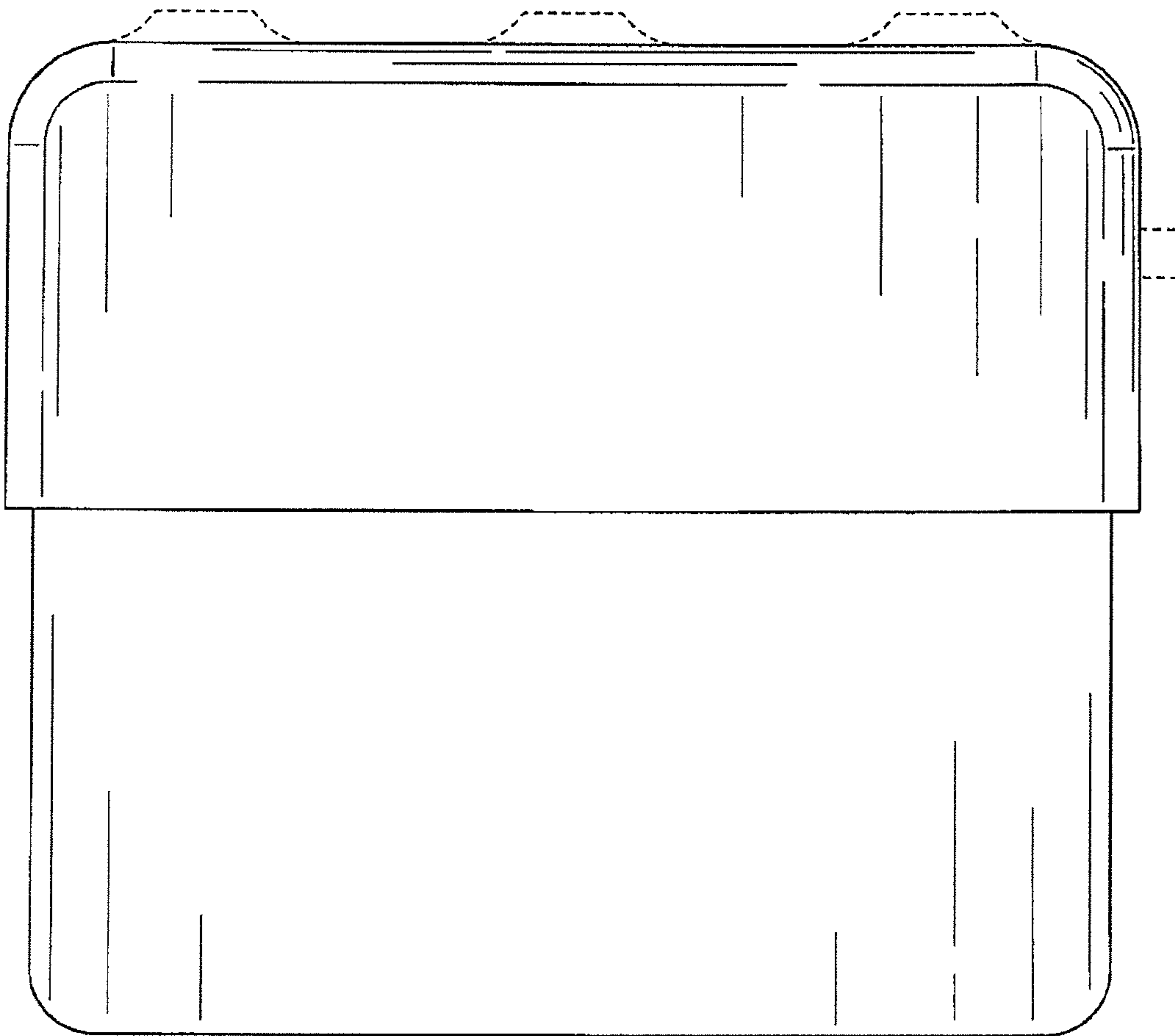


FIG. 2

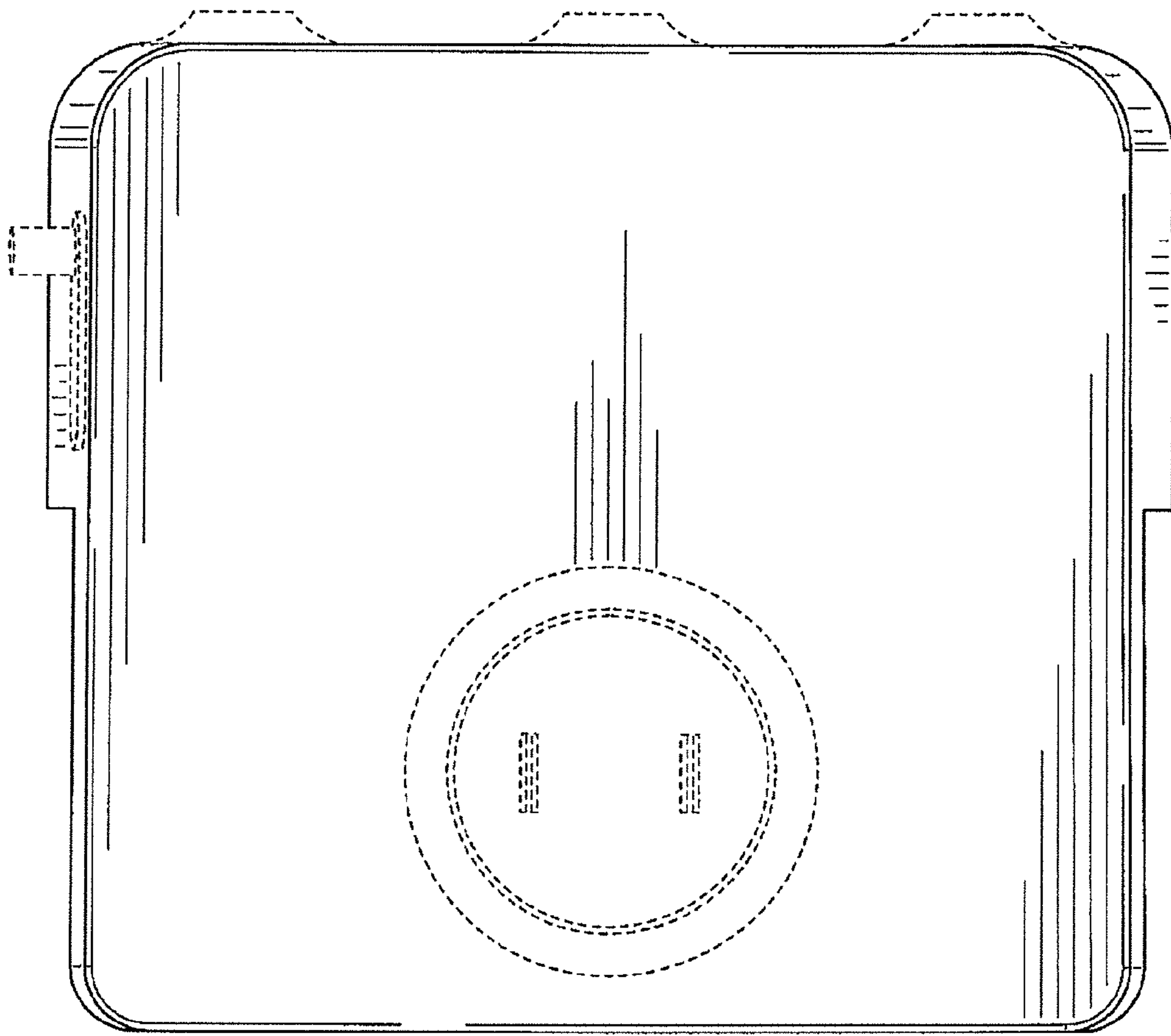


FIG. 3

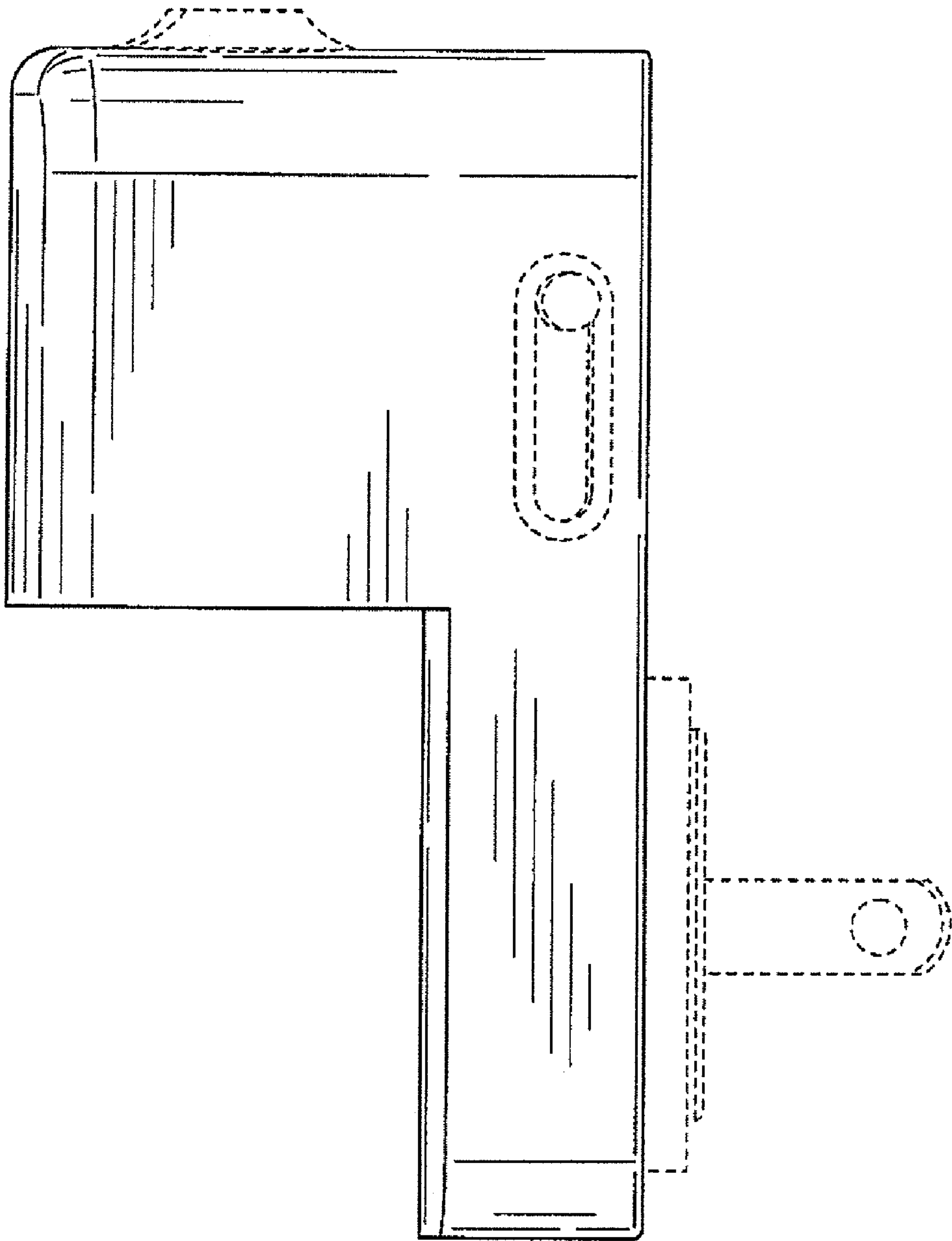


FIG. 4

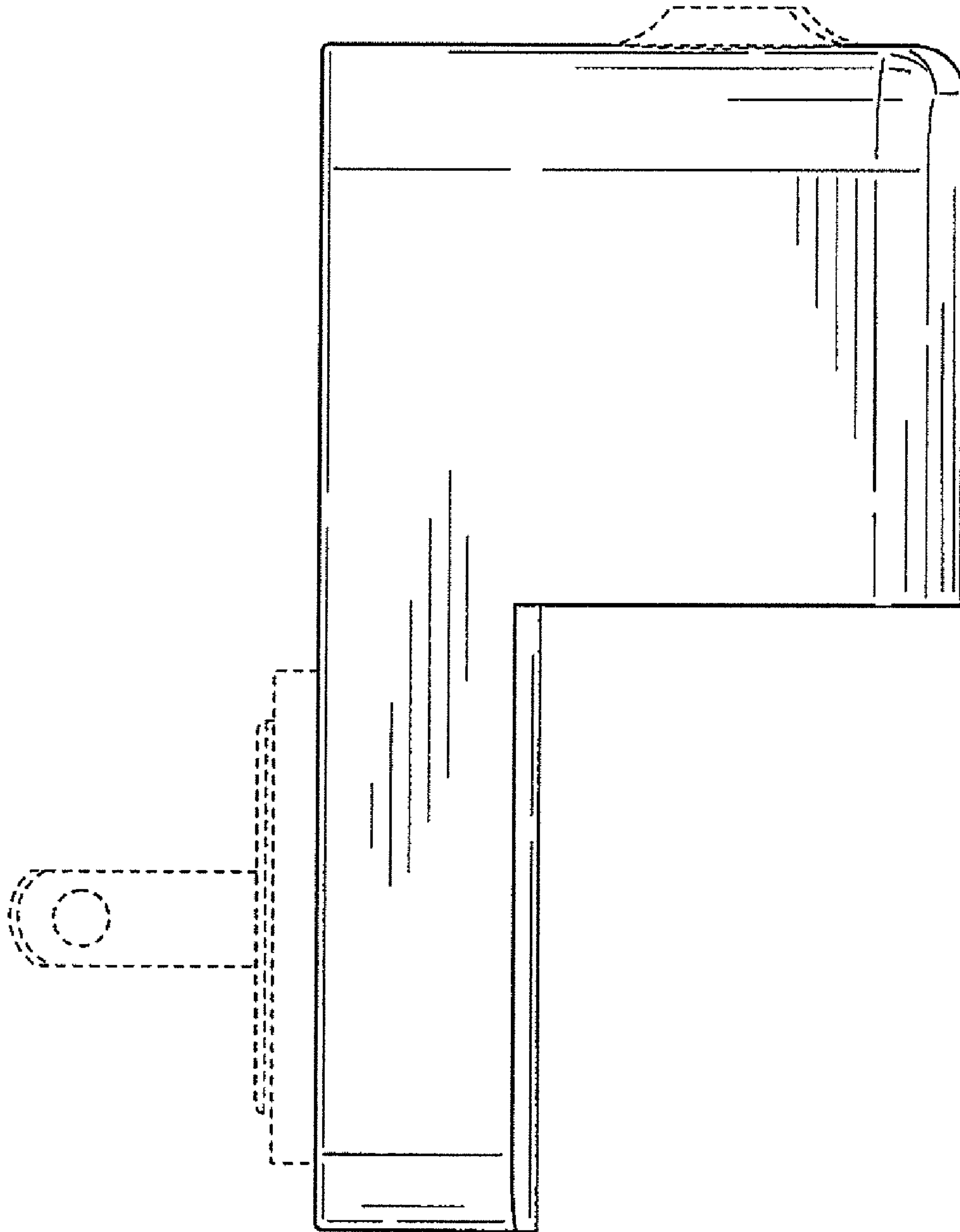


FIG. 5

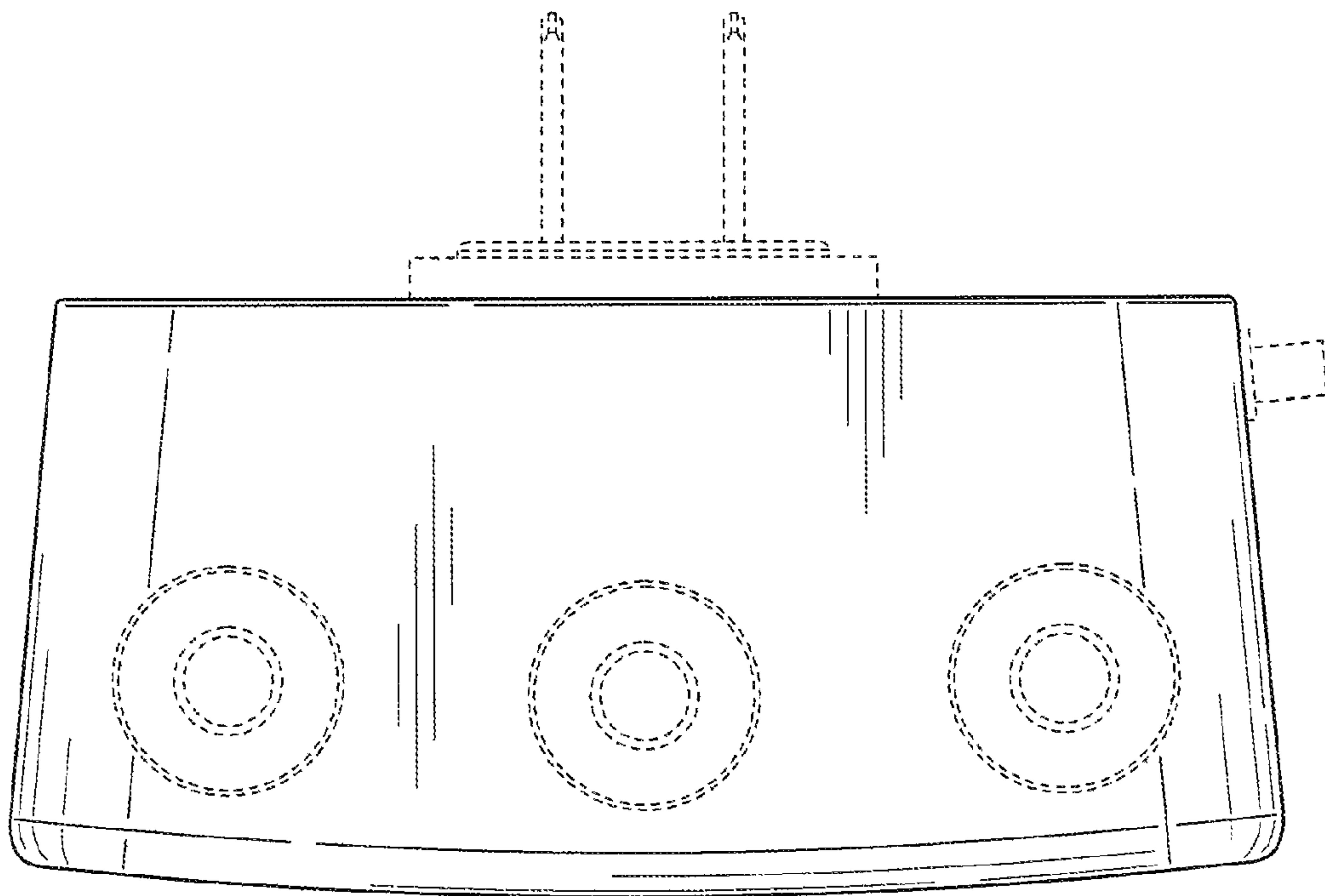


FIG. 6