



US00D666278S

(12) **United States Design Patent**
Mitchell

(10) **Patent No.:** **US D666,278 S**

(45) **Date of Patent:** **** Aug. 28, 2012**

(54) **PIPE FITTING APPARATUS**

DESCRIPTION

(76) Inventor: **James D. Mitchell**, Hermosa Beach, CA (US)

(**) Term: **14 Years**

(21) Appl. No.: **29/375,510**

(22) Filed: **Sep. 23, 2010**

(51) **LOC (9) Cl.** **23-01**

(52) **U.S. Cl.** **D23/263**

(58) **Field of Classification Search** D23/259–263;
137/15.01, 259, 269, 334, 360, 597, 605,
137/607; 285/179, 179.1; 4/680, 686, 687
See application file for complete search history.

(56) **References Cited**

U.S. PATENT DOCUMENTS

D56,926	S *	1/1921	Humphrey	D23/263
1,901,897	A *	3/1933	Clayton	285/149.1
D229,409	S *	11/1973	Luckenhill et al.	D23/263
3,844,586	A *	10/1974	Olen	285/8
6,880,860	B2 *	4/2005	Gonzales et al.	285/179
D604,242	S *	11/2009	Kiely	D13/133
2003/0178846	A1 *	9/2003	Ezura	285/322
2004/0084899	A1 *	5/2004	Gonzales et al.	285/179
2008/0092975	A1 *	4/2008	Grimes et al.	138/177

* cited by examiner

Primary Examiner — Eric Goodman

(74) *Attorney, Agent, or Firm* — Lazaris IP, Inc.

(57) **CLAIM**

The ornamental design for a pipe fitting apparatus, as shown and described.

FIG. 1 is a perspective view of a pipe fitting apparatus according to one embodiment of the present design;
 FIG. 2 is a side view of a pipe fitting apparatus according to one embodiment of the present design;
 FIG. 3 is an end view of a pipe fitting apparatus according to one embodiment of the present design;
 FIG. 4 is an end view of a pipe fitting apparatus according to one embodiment of the present design;
 FIG. 5 is a top view of a pipe fitting apparatus according to one embodiment of the present design;
 FIG. 6 is a bottom view of a pipe fitting apparatus according to one embodiment of the present design;
 FIG. 7 is a perspective view of a pipe fitting apparatus according to one embodiment of the present design;
 FIG. 8 is a side view of a pipe fitting apparatus according to one embodiment of the present design;
 FIG. 9 is an end view of a pipe fitting apparatus according to one embodiment of the present design;
 FIG. 10 is an end view of a pipe fitting apparatus according to one embodiment of the present design;
 FIG. 11 is a top view of a pipe fitting apparatus according to one embodiment of the present design;
 FIG. 12 is a bottom view of a pipe fitting apparatus according to one embodiment of the present design;
 FIG. 13 is a side view of a pipe fitting apparatus according to the embodiment of FIGS. 1-6 and FIGS. 7-12 of the present design; and,
 FIG. 14 is a side view of a pipe fitting apparatus according to the embodiment of FIGS. 1-6 and FIGS. 7-12 of the present design.

The broken lines indicating threads are shown for illustrative purposes only and form no part of the claimed design.

1 Claim, 5 Drawing Sheets

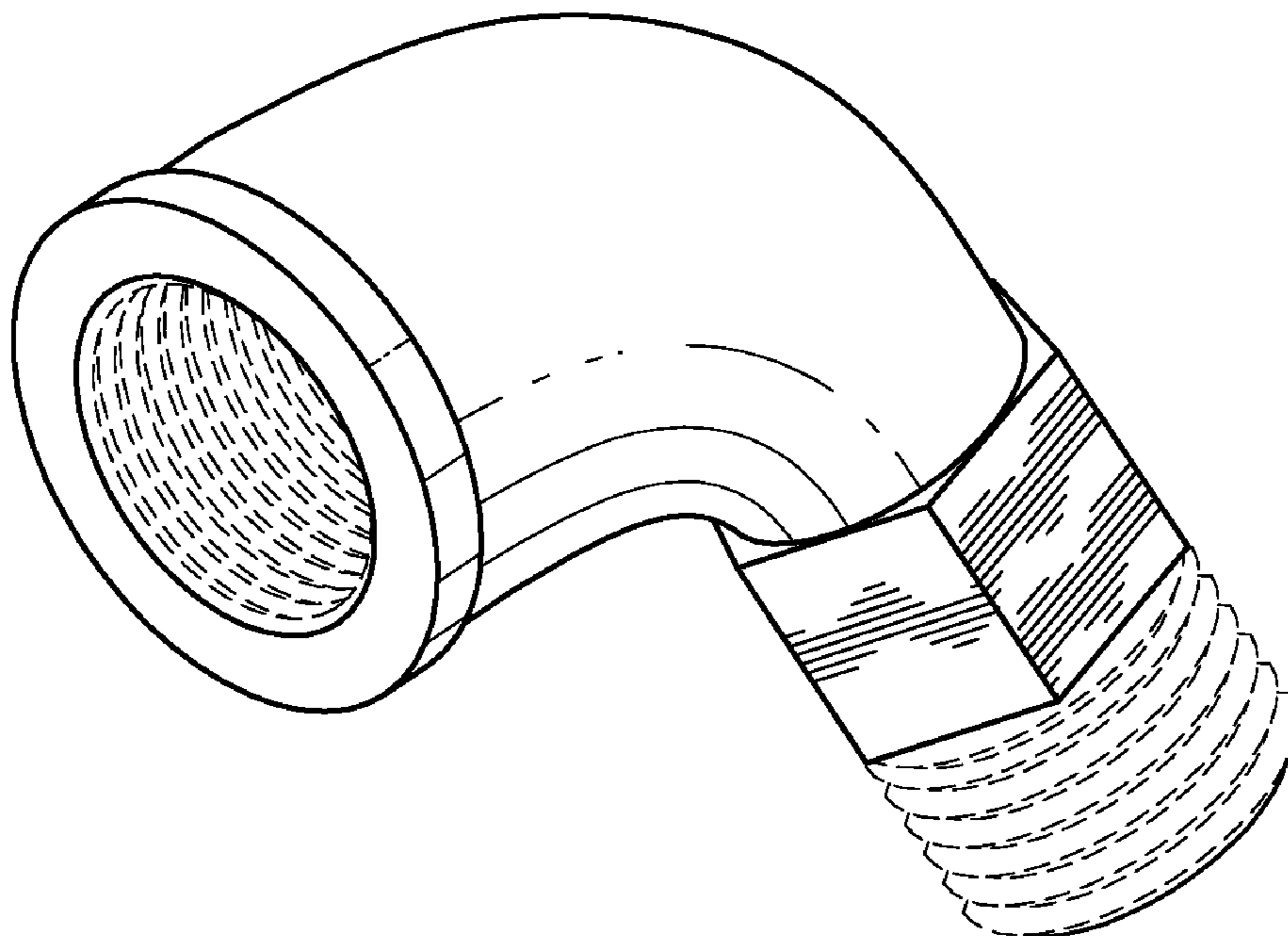


FIG. 1

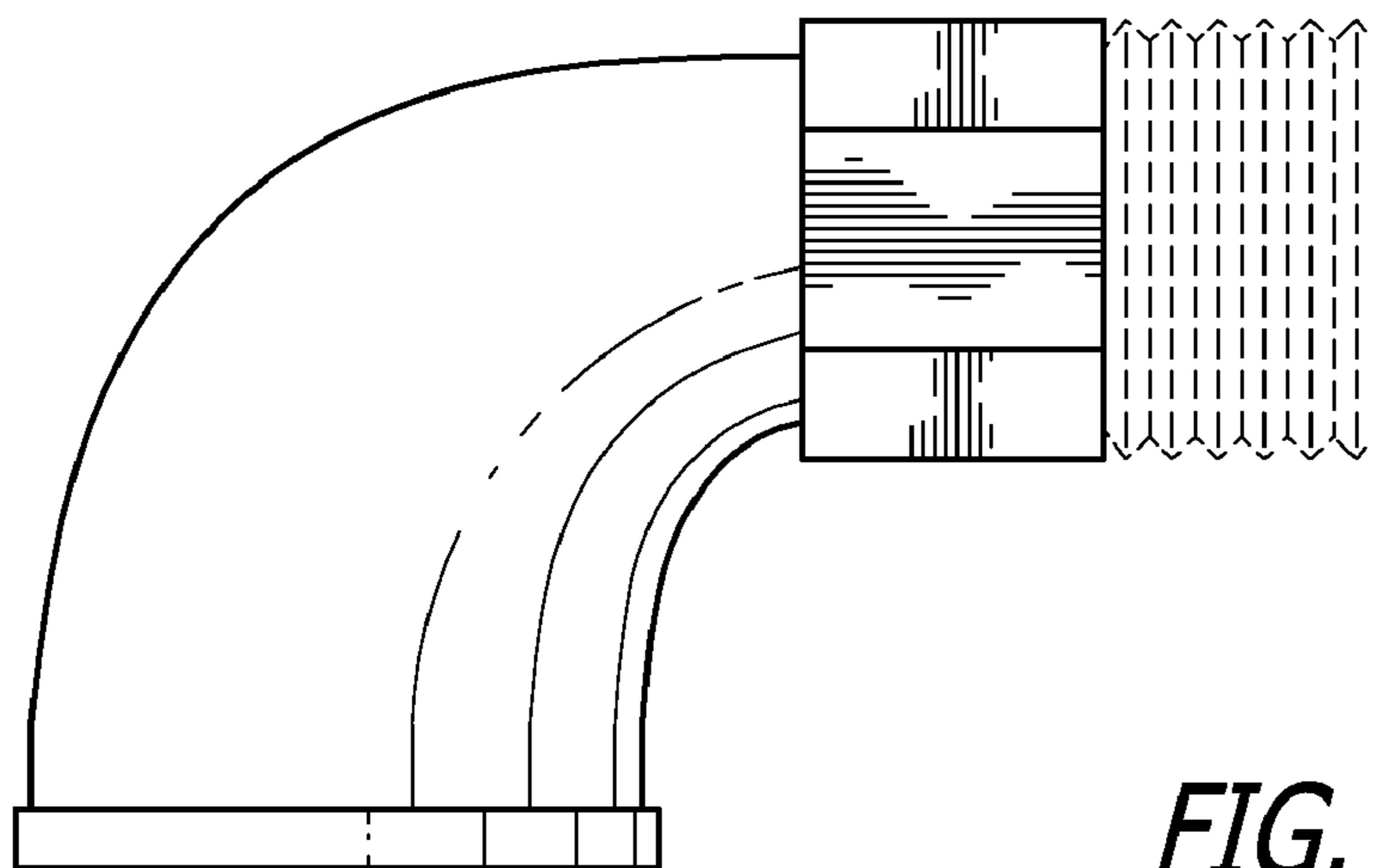
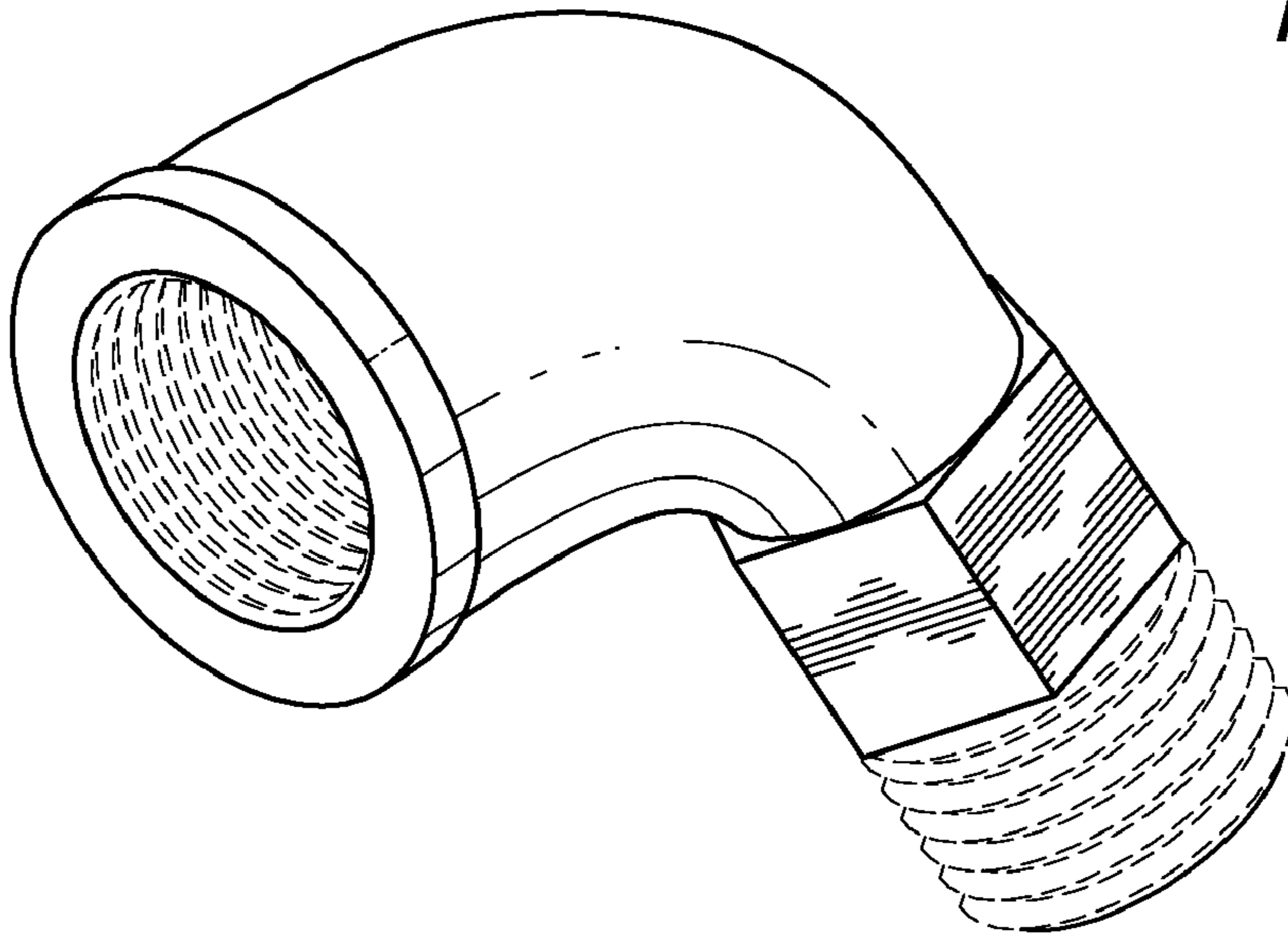


FIG. 2

FIG. 3

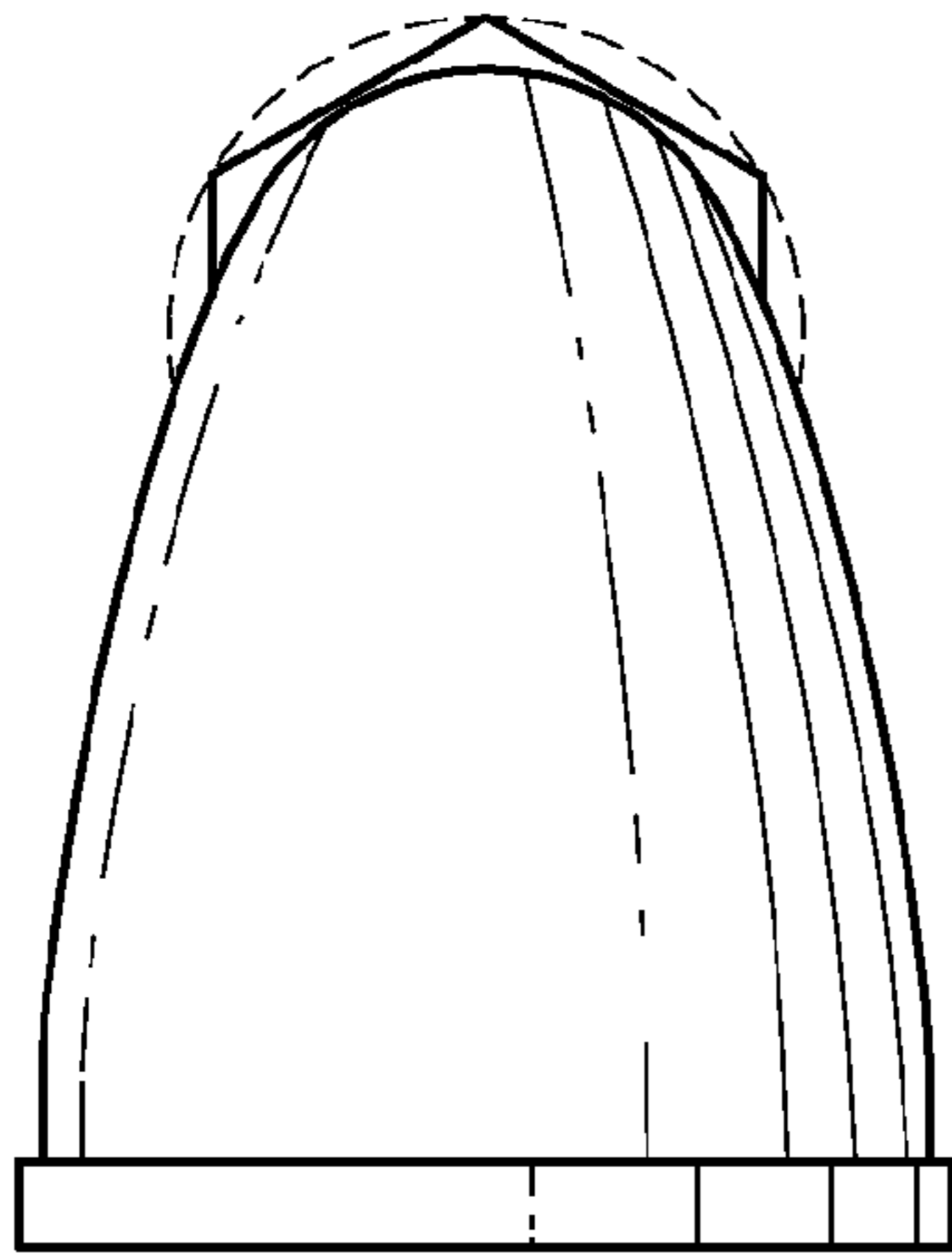


FIG. 4

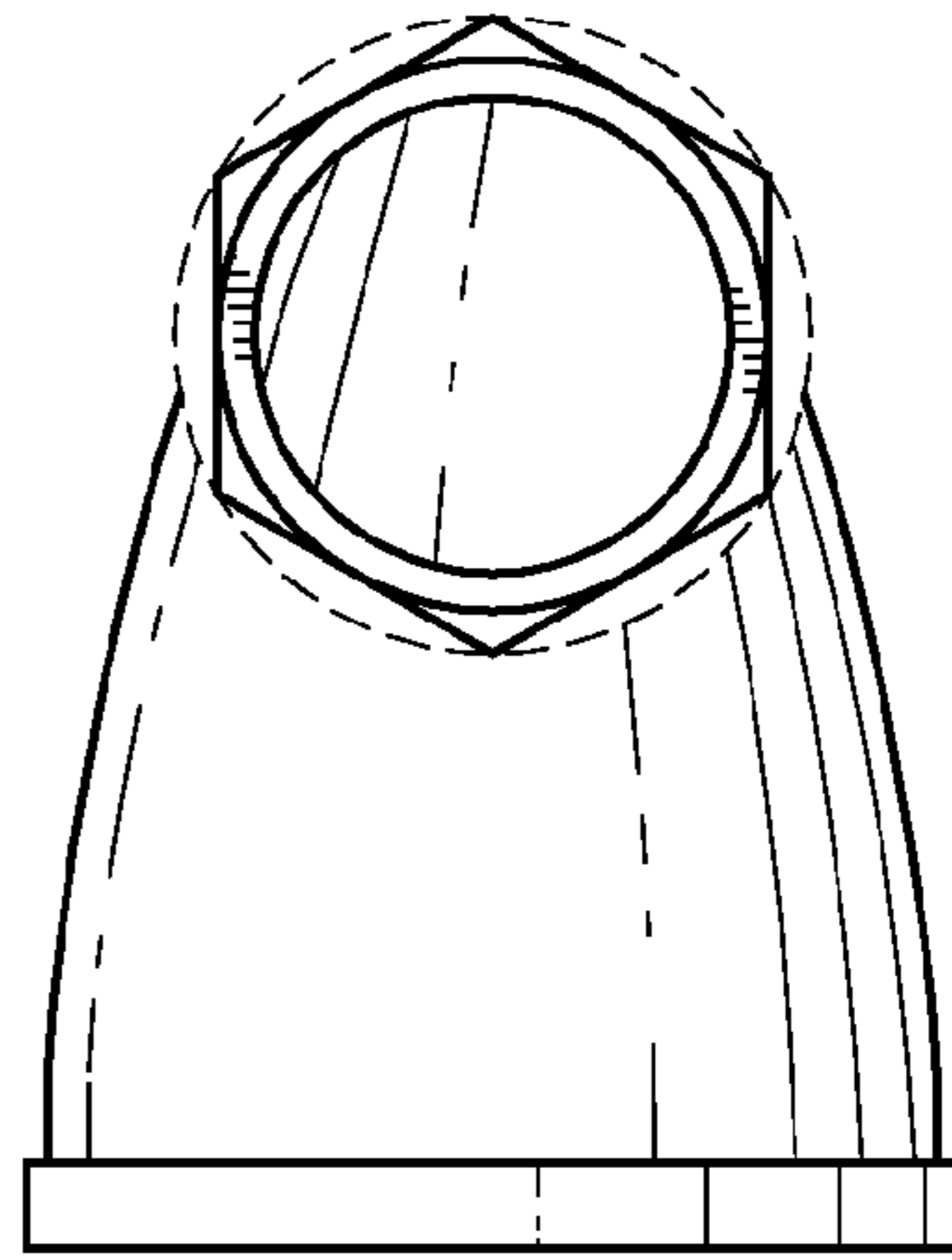


FIG. 5

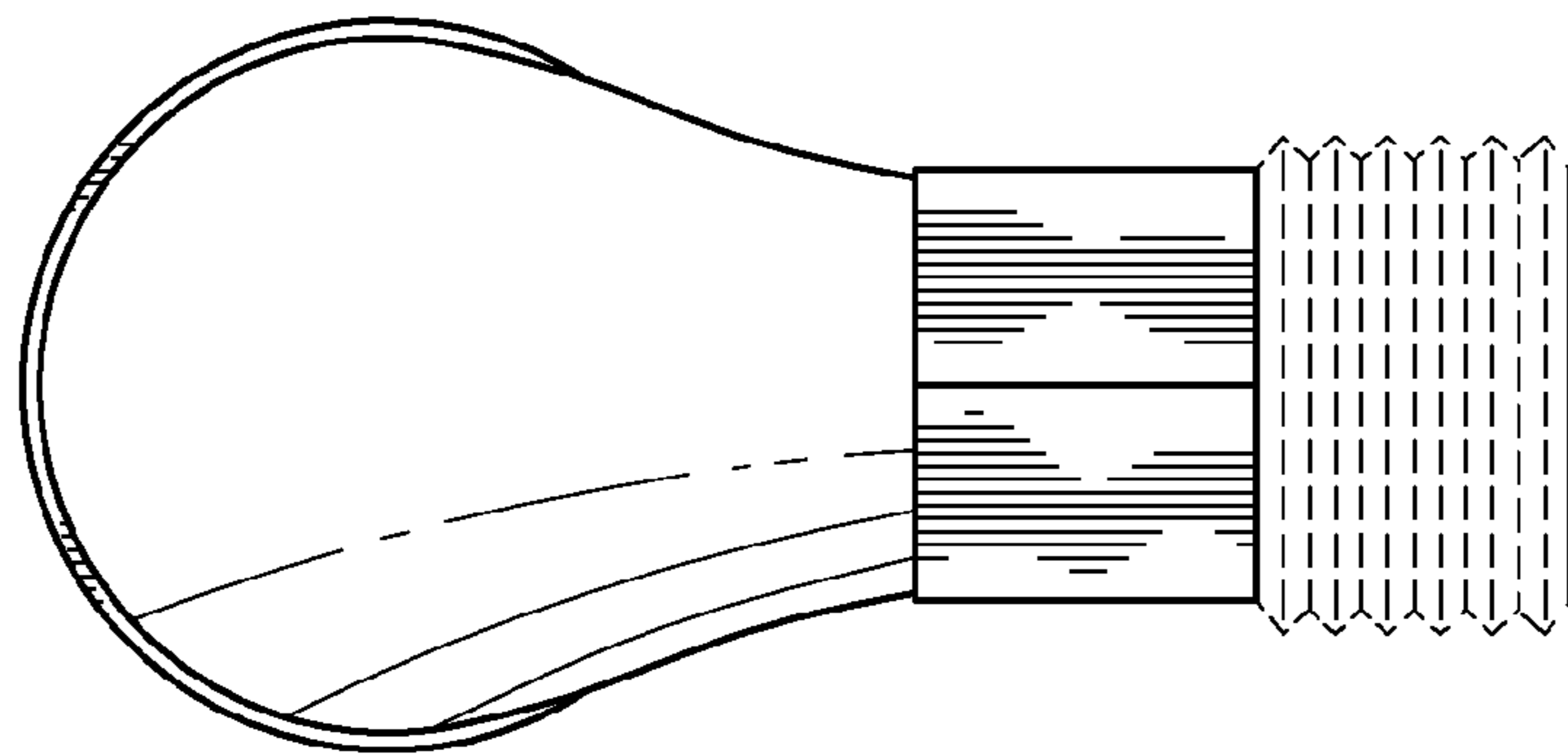
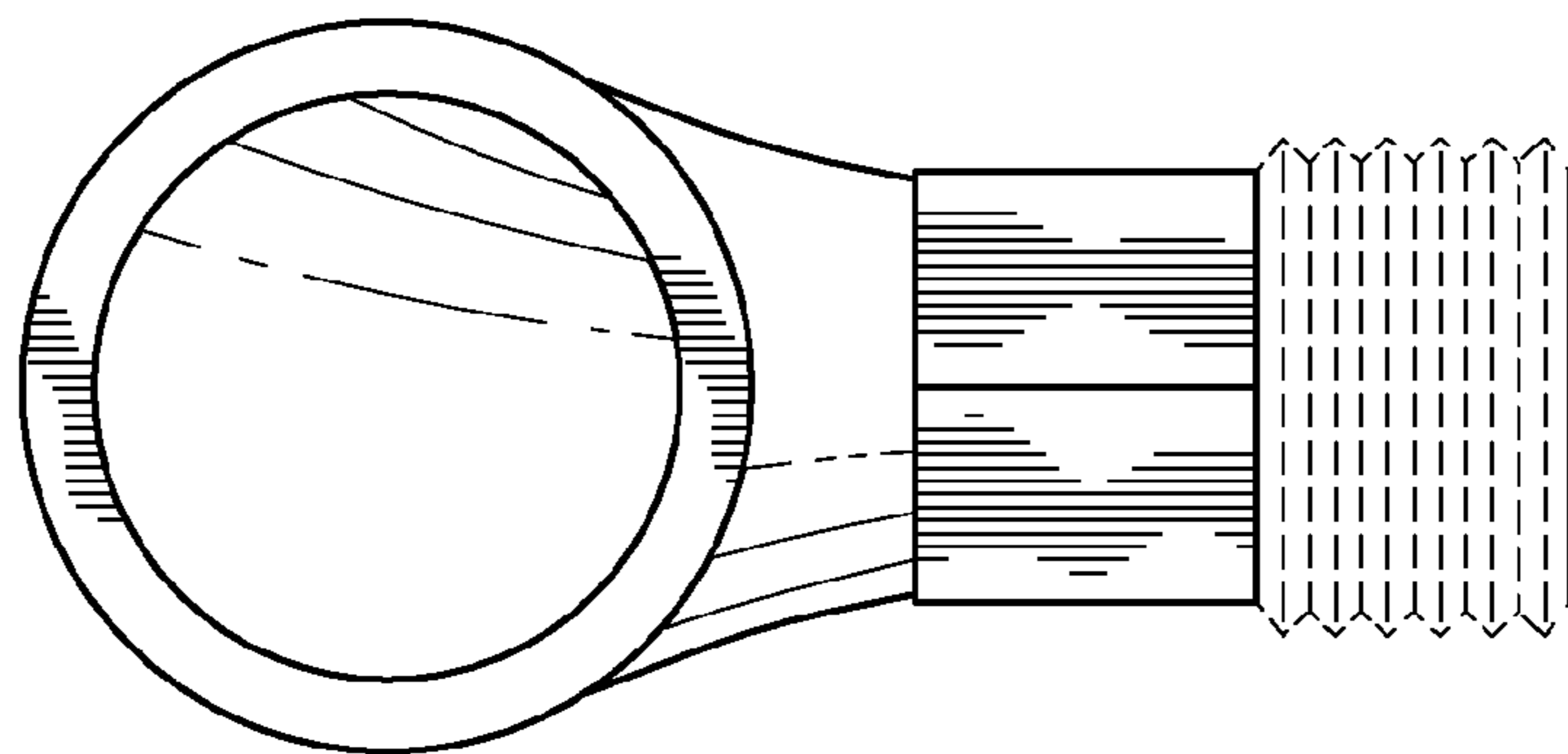


FIG. 6



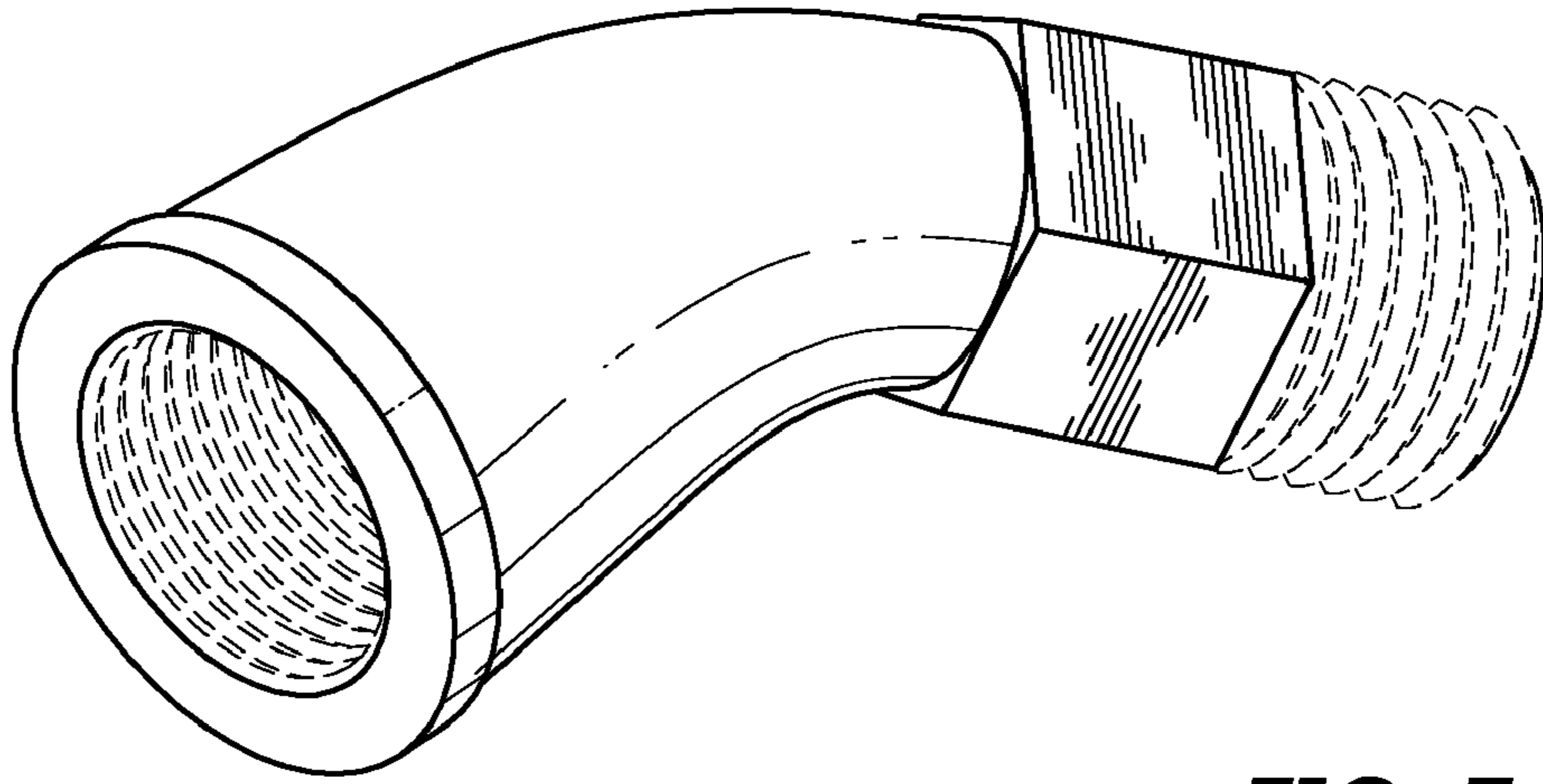


FIG. 7

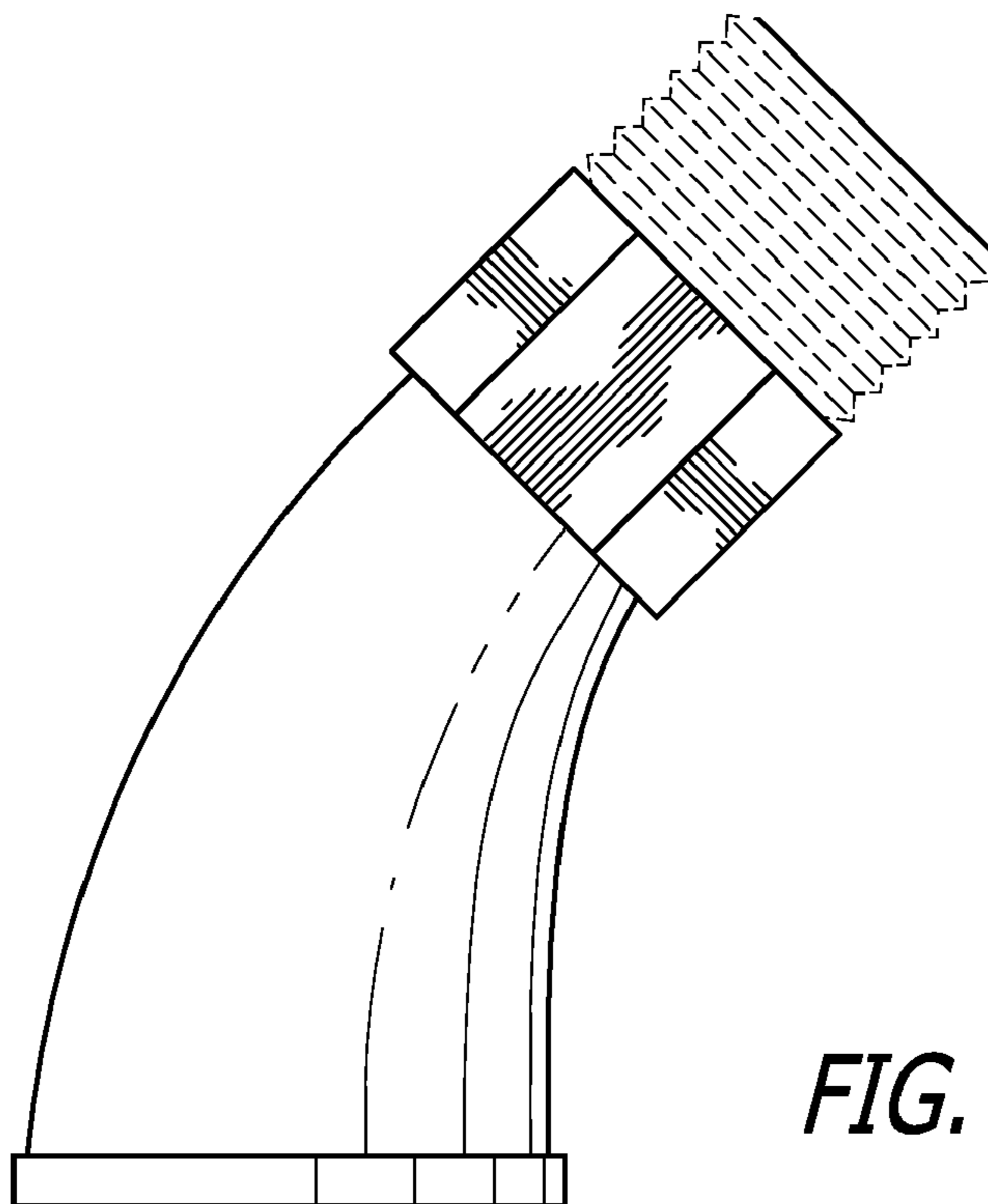


FIG. 8

FIG. 9

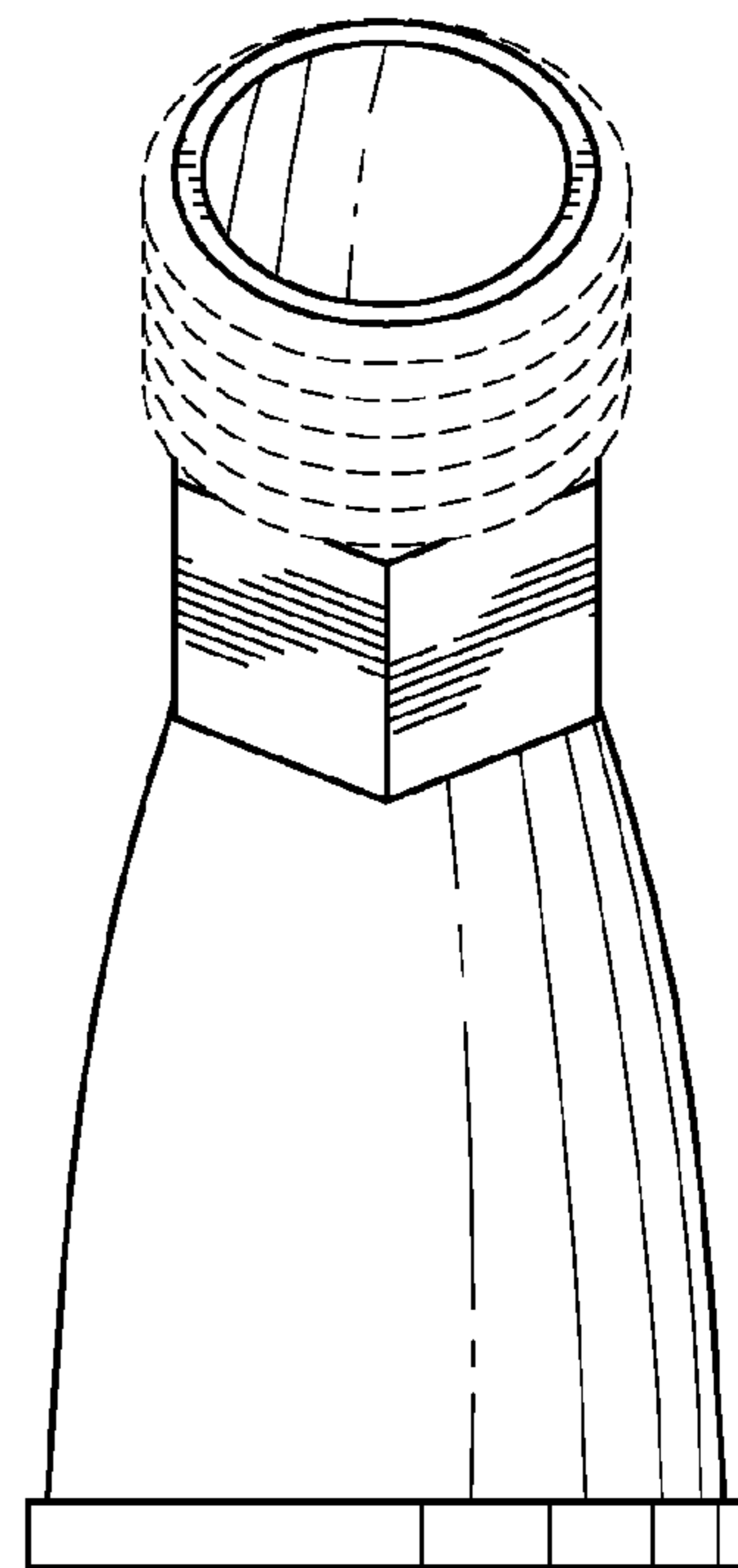
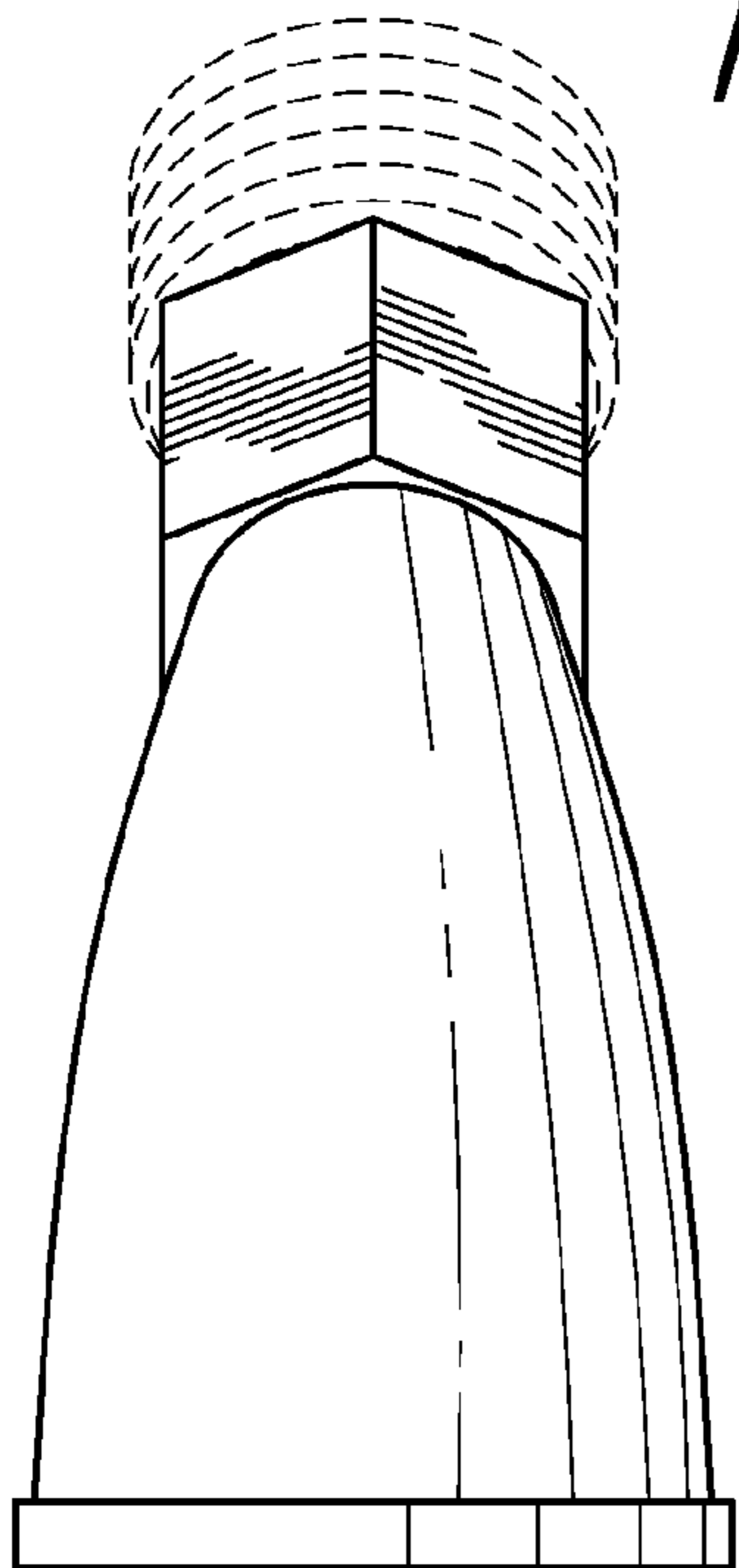


FIG. 10

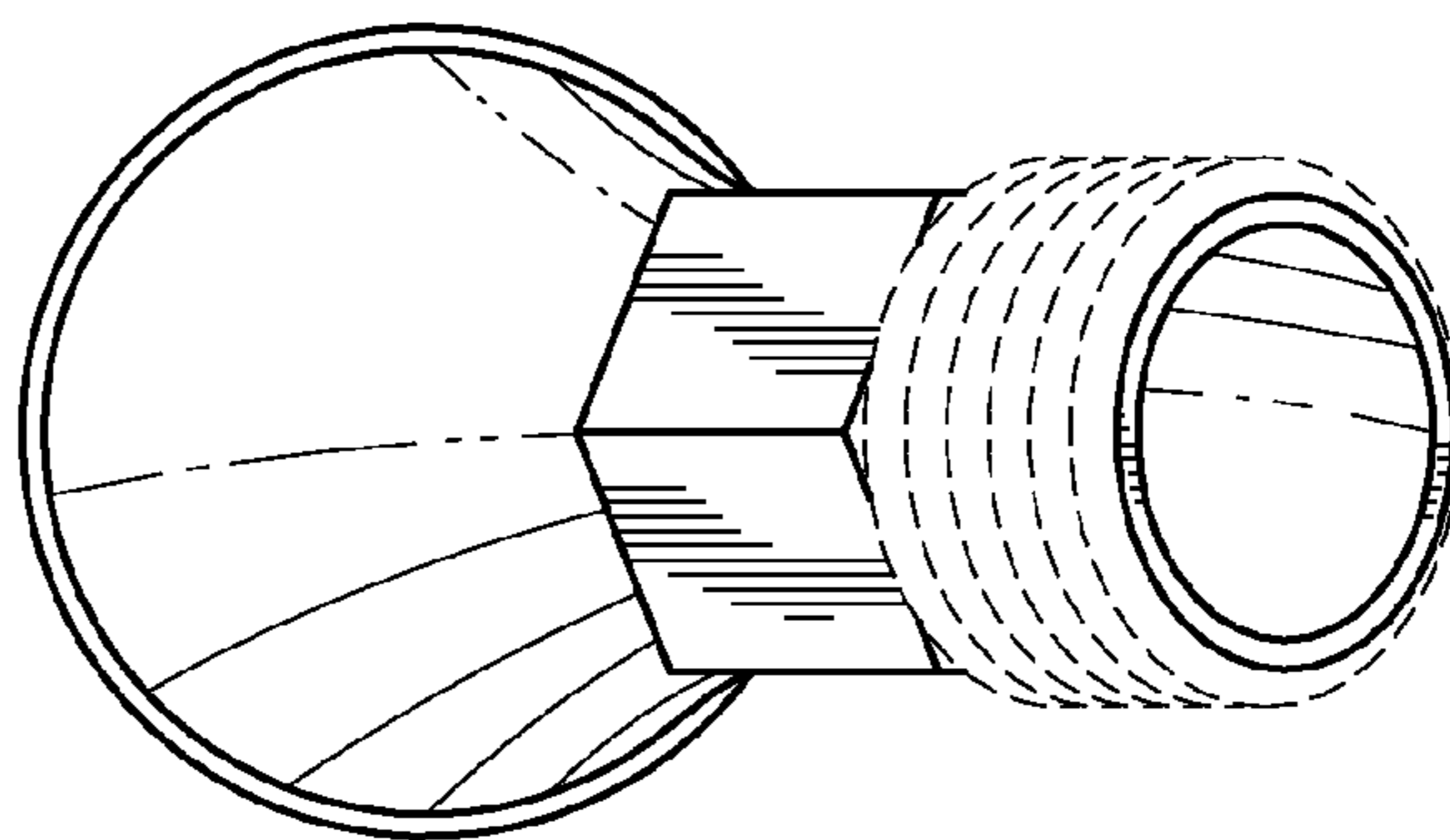


FIG. 11

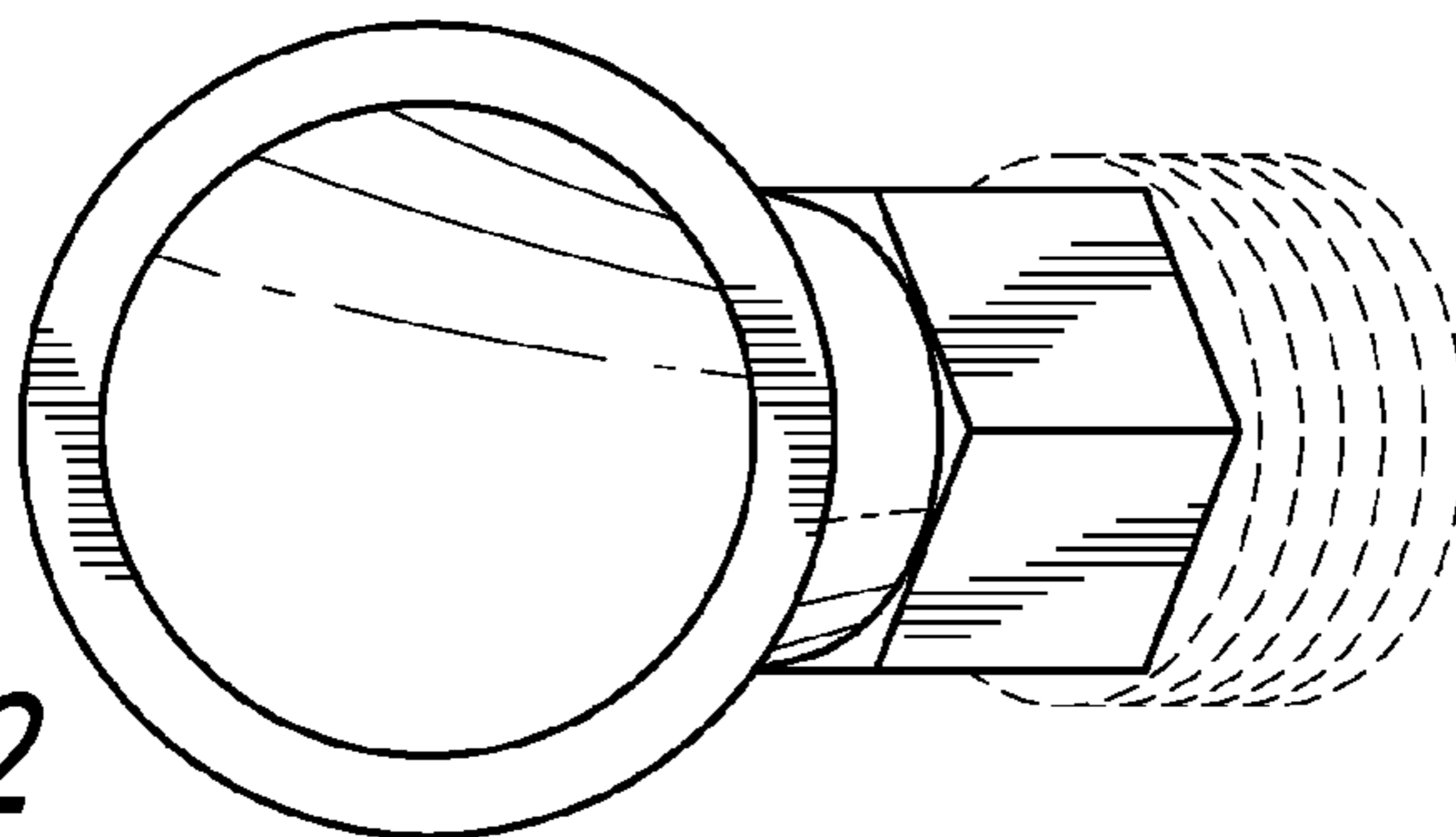


FIG. 12

FIG. 13

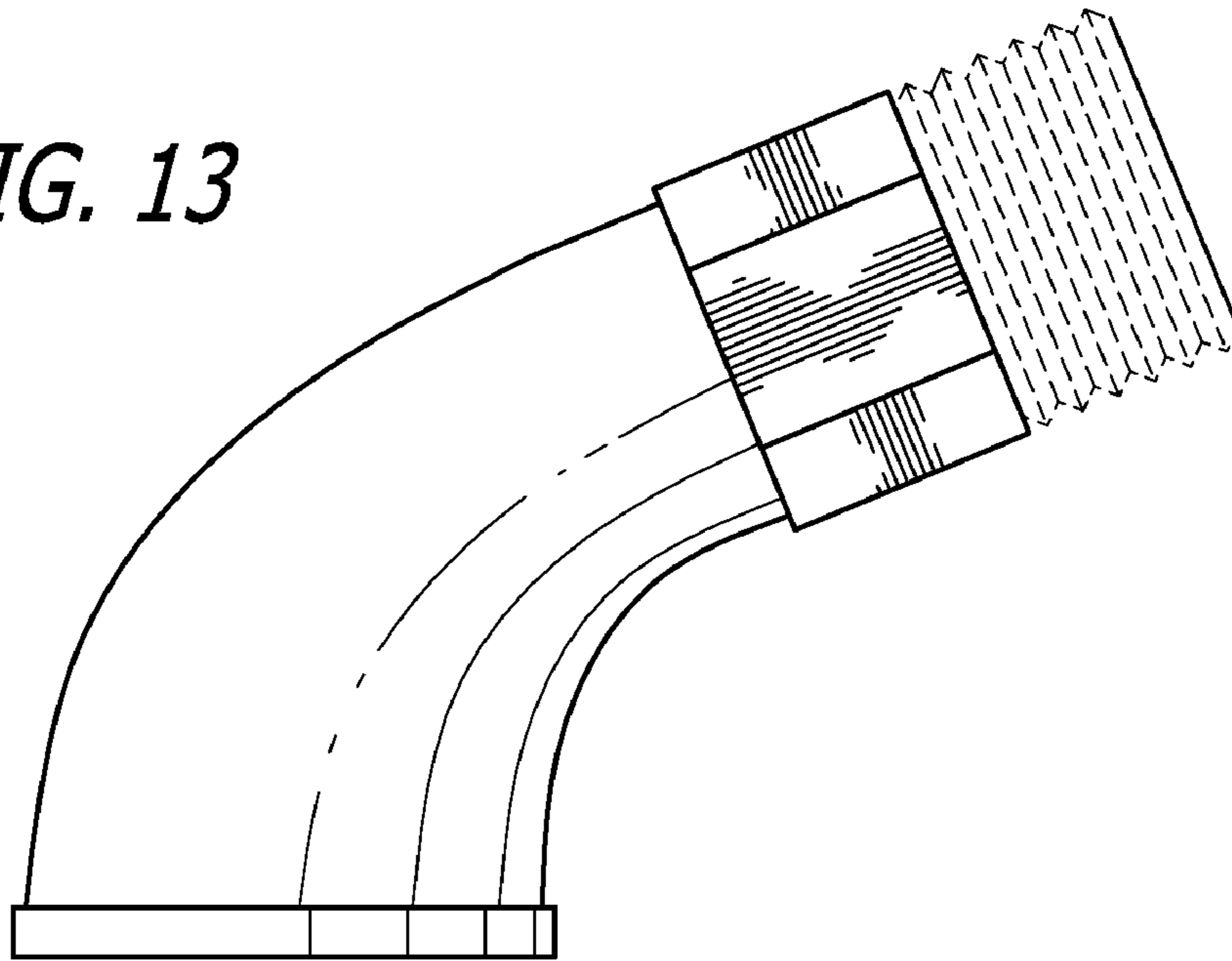


FIG. 14

