



US00D666277S

(12) **United States Design Patent**
Schaefer

(10) **Patent No.:** **US D666,277 S**

(45) **Date of Patent:** **** Aug. 28, 2012**

(54) **FAUCET HANDLE**

(75) Inventor: **David Schaefer**, New York, NY (US)

(73) Assignee: **Waterworks IP Co., LLC**, Danbury, CT (US)

(**) Term: **14 Years**

(21) Appl. No.: **29/415,023**

(22) Filed: **Mar. 6, 2012**

Related U.S. Application Data

(62) Division of application No. 29/369,873, filed on Sep. 14, 2010, now Pat. No. Des. 658,271.

(51) **LOC (9) Cl.** **23-01**

(52) **U.S. Cl.** **D23/252**

(58) **Field of Classification Search** D23/250, D23/252, 254, 238-243; 4/675-678; 137/801
See application file for complete search history.

(56) **References Cited**

U.S. PATENT DOCUMENTS

D433,733 S	11/2000	Lord
D464,406 S	10/2002	Gottwald
D483,440 S	12/2003	Smith
D518,151 S	3/2006	Ito
D520,606 S	5/2006	Hoernig
D522,630 S	6/2006	Fritz
D524,426 S	7/2006	Sallick et al.

OTHER PUBLICATIONS

Notice of Allowance issued in U.S. Appl. No. 29/369,871, dated Jul. 13, 2011.

Primary Examiner — Robert Delehanty

(74) *Attorney, Agent, or Firm* — McDermott Will & Emery LLP

(57) **CLAIM**

The ornamental design for a faucet handle, as shown and described.

DESCRIPTION

FIG. 1 is a front perspective view of a first embodiment of a faucet handle, showing the new design;

FIG. 2 is a front view of the first embodiment of the faucet handle;

FIG. 3 is a rear view of the first embodiment of the faucet handle;

FIG. 4 is a side view of the first embodiment of the faucet handle;

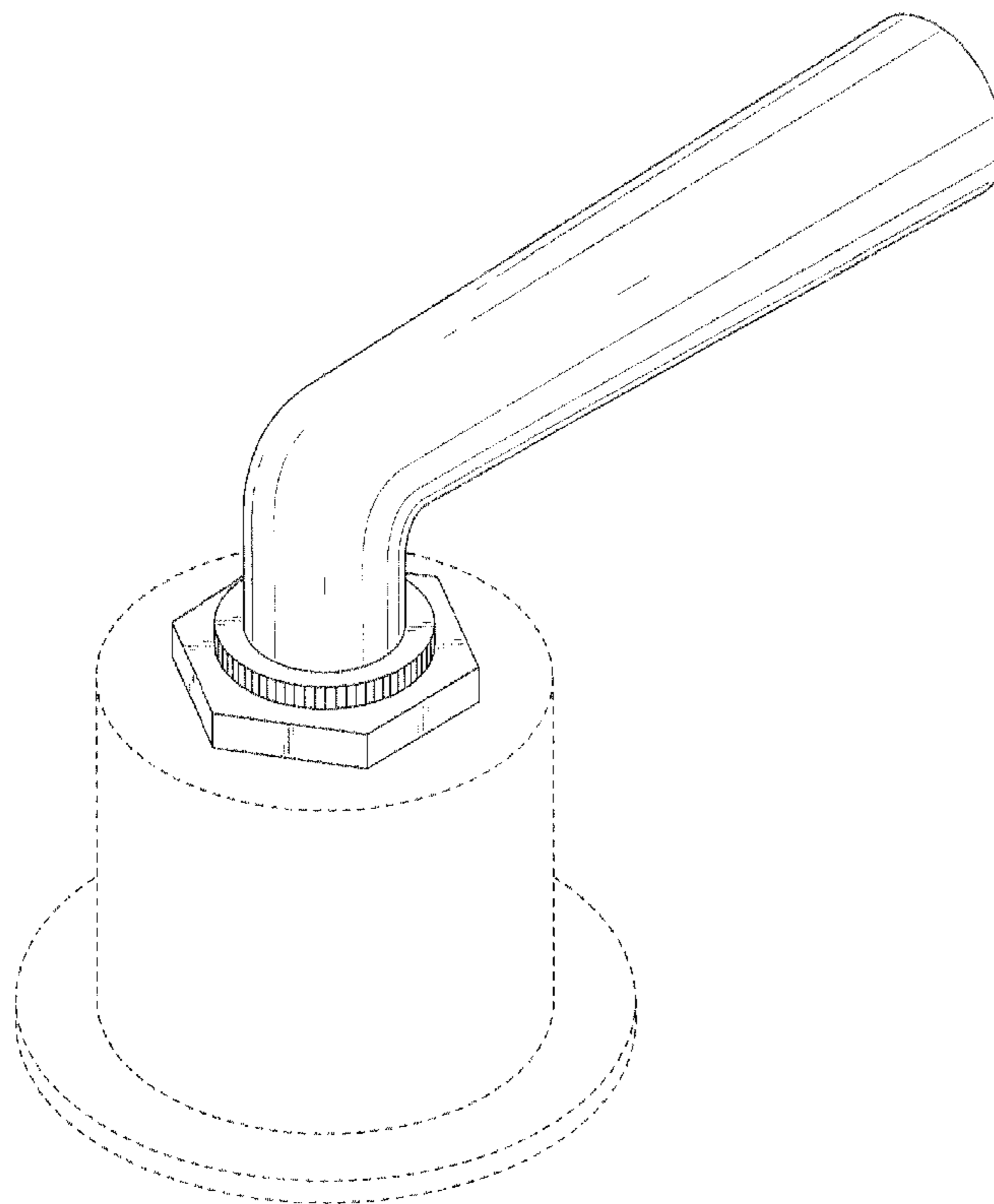
FIG. 5 is another side view of the first embodiment of the faucet handle;

FIG. 6 is a top view of the first embodiment of the faucet handle; and,

FIG. 7 is a bottom view of the first embodiment of the faucet handle.

The broken lines showing various elements of the faucet handle are included for the purpose of illustrating non-claimed subject matter and form no part of the claimed design.

1 Claim, 7 Drawing Sheets



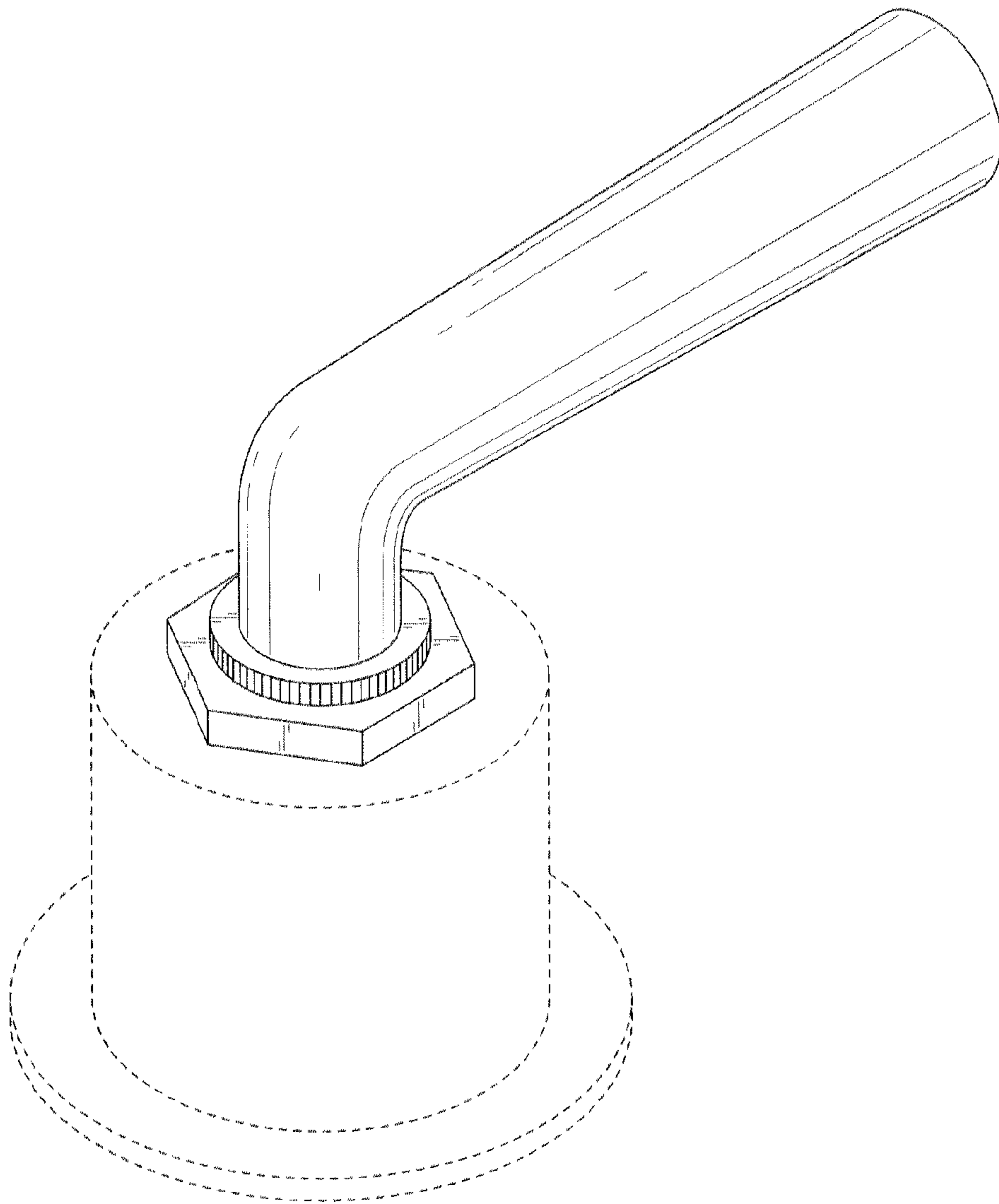


FIG. 1

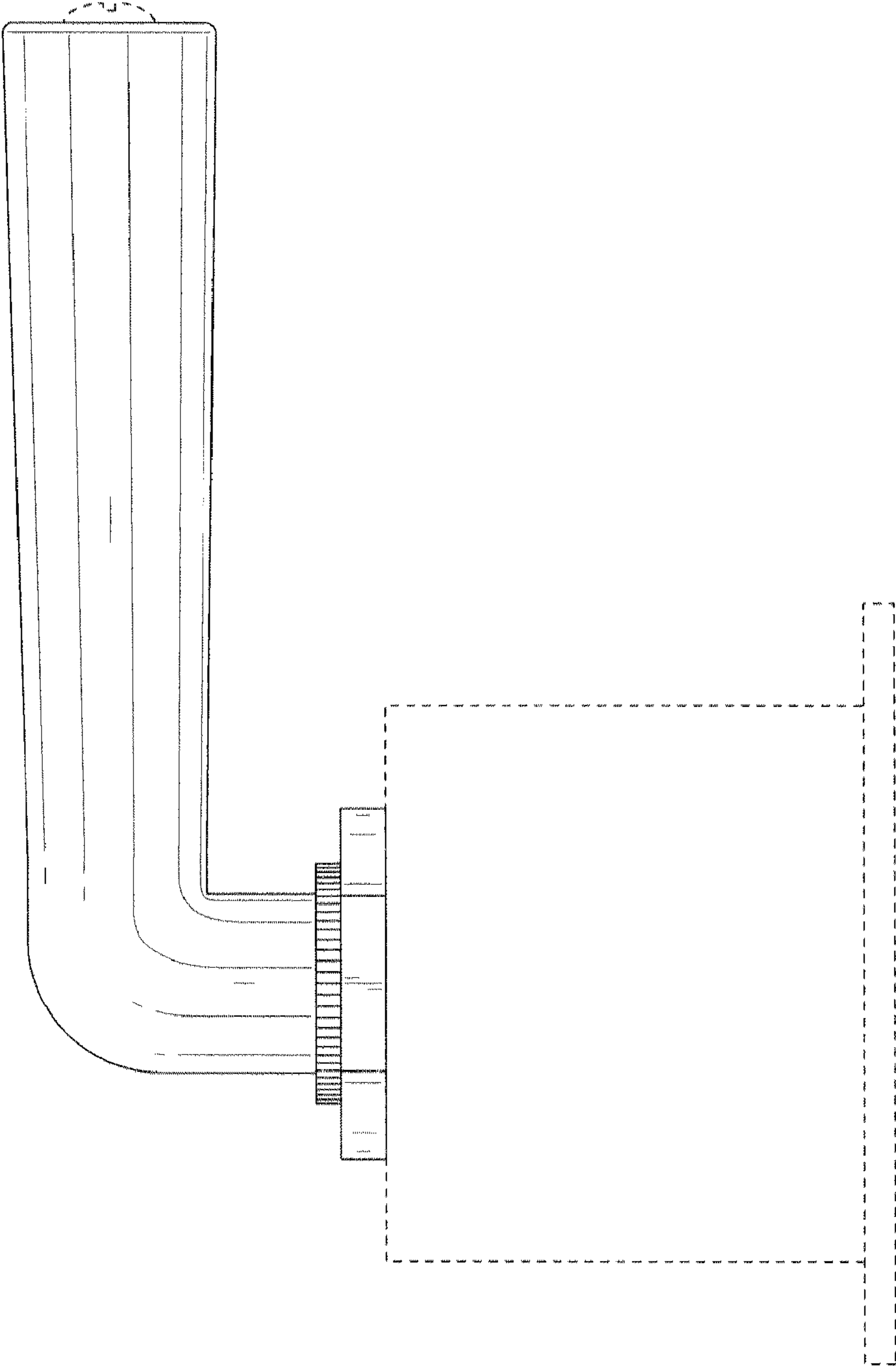


FIG. 2

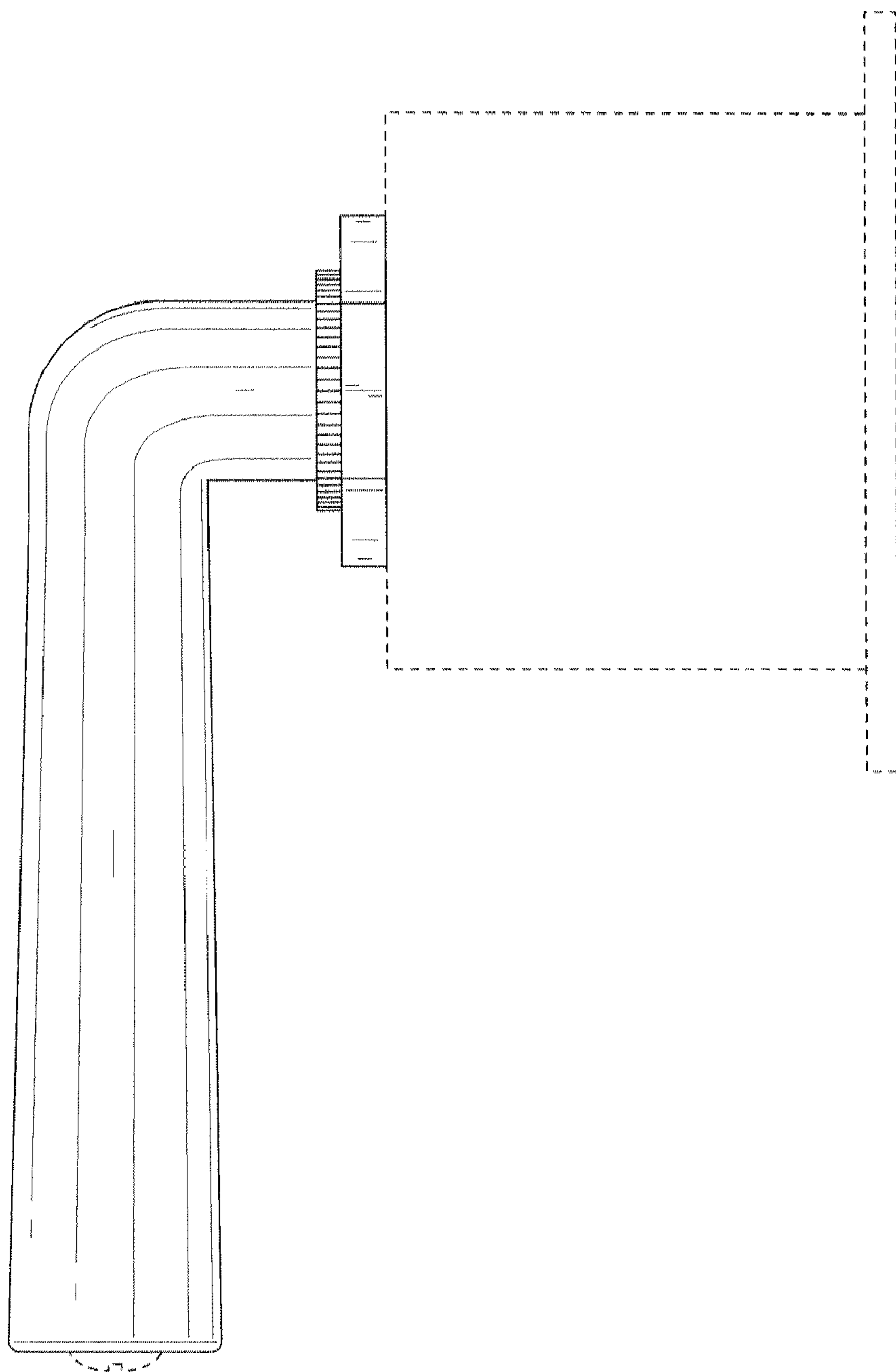


FIG. 3

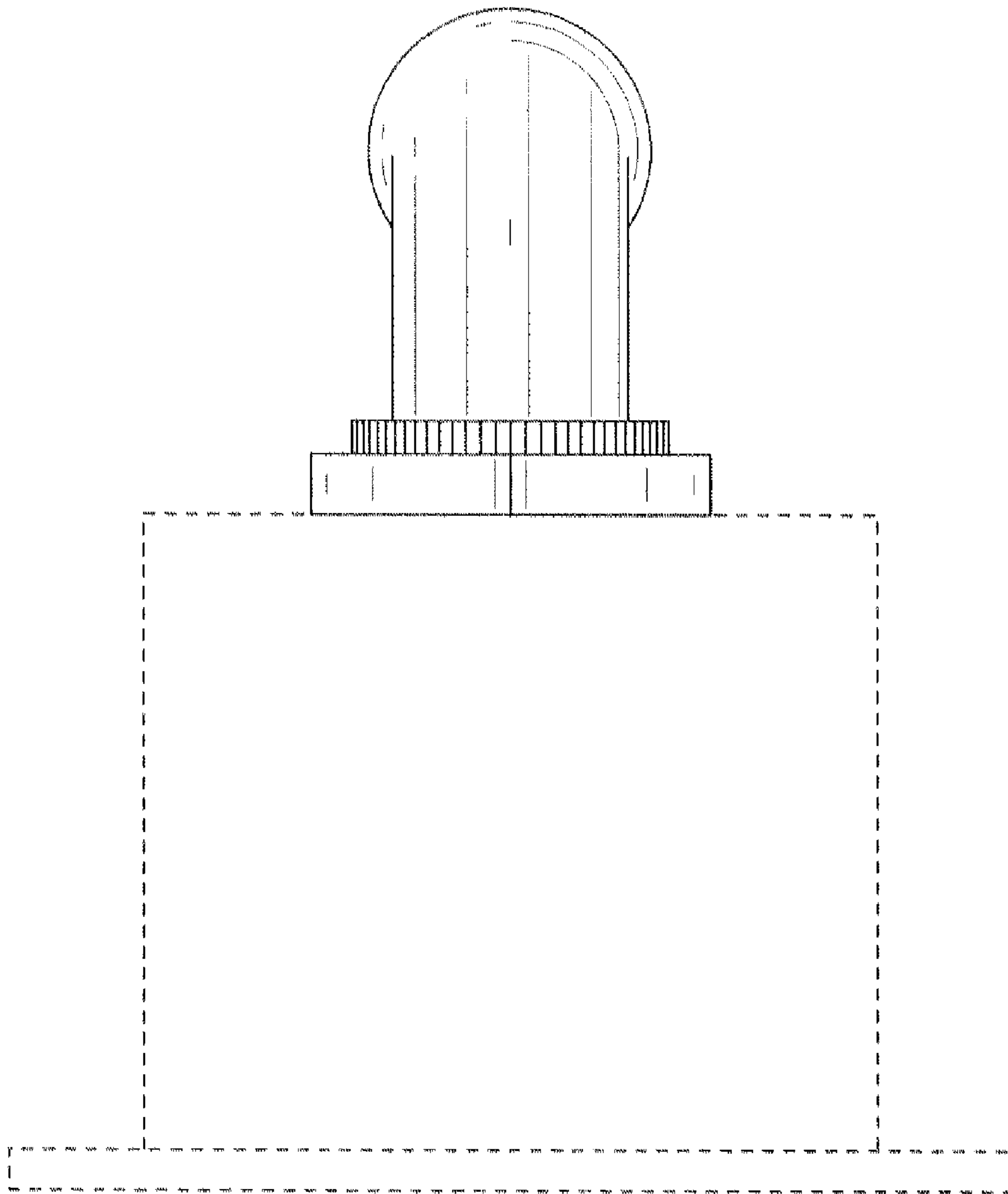


FIG. 4

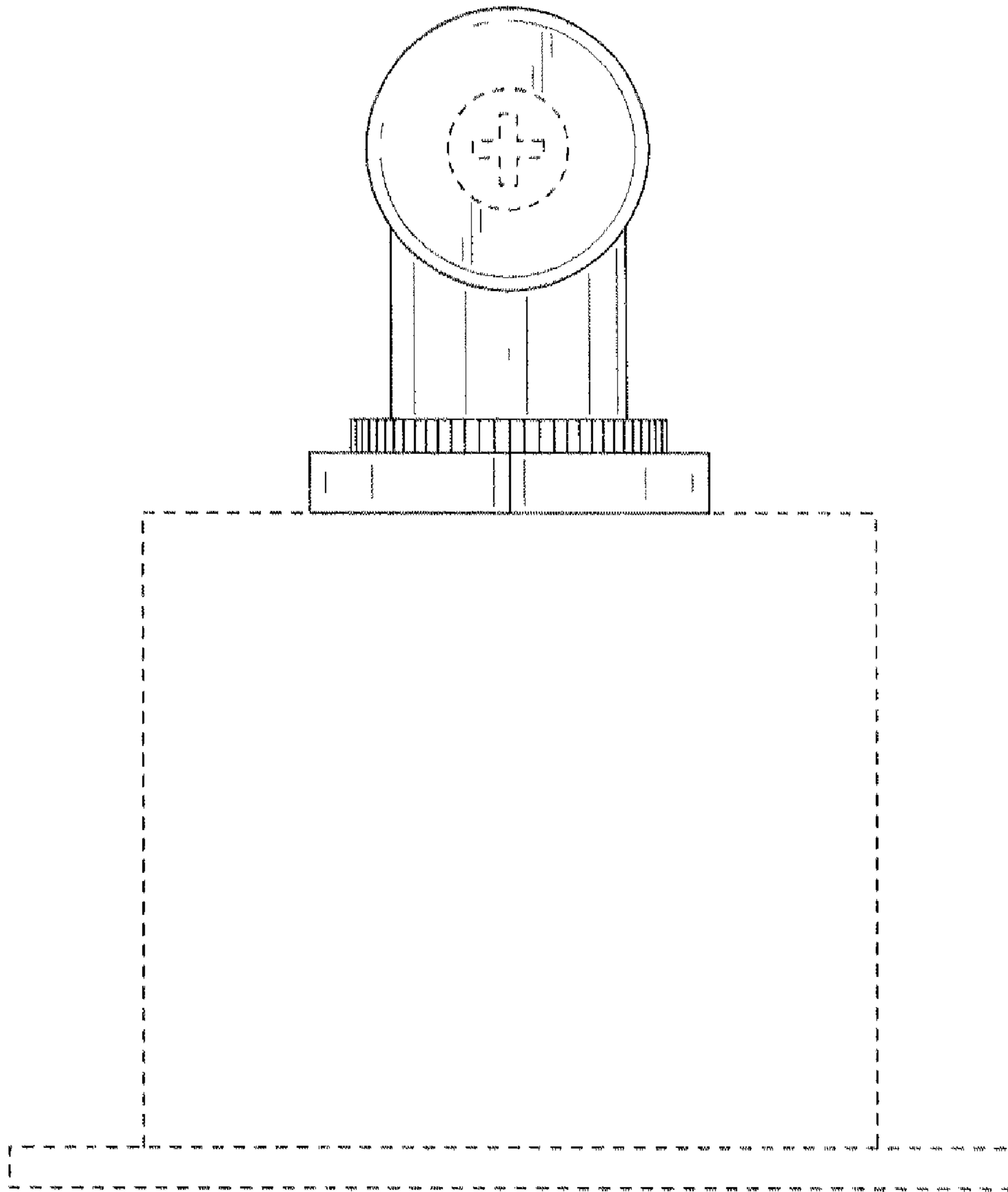


FIG. 5

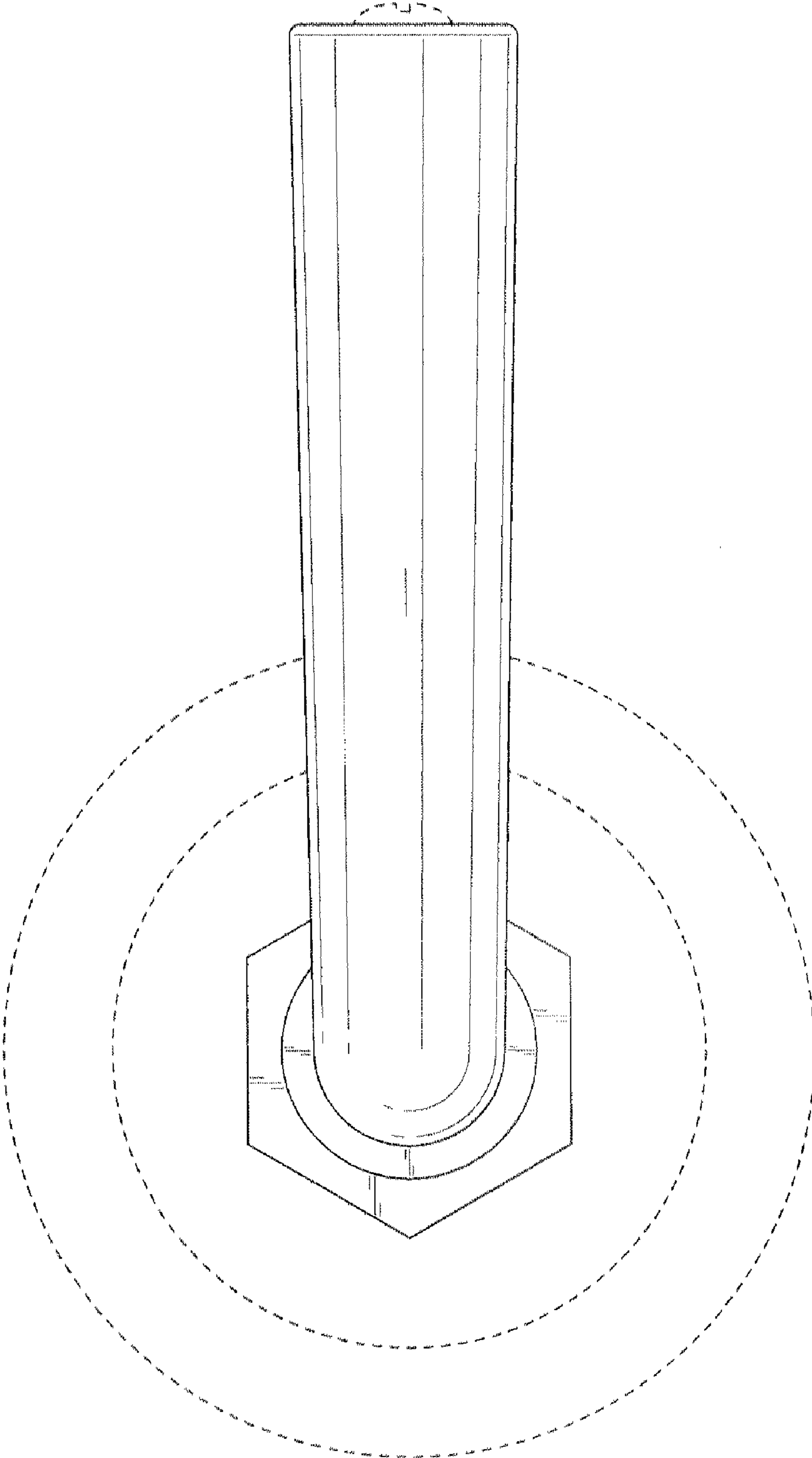


FIG. 6

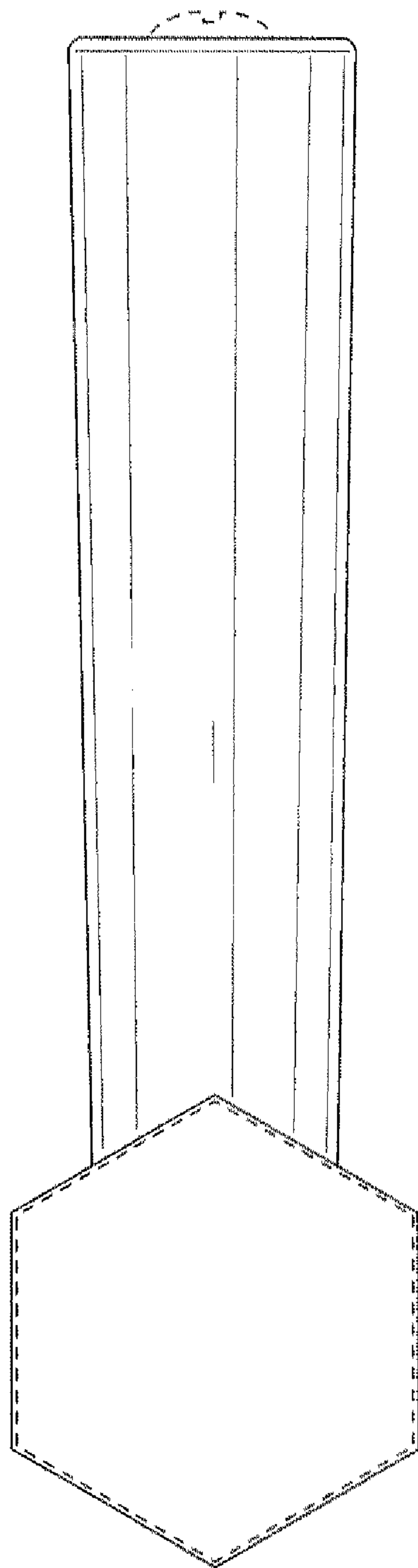


FIG. 7